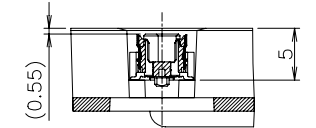
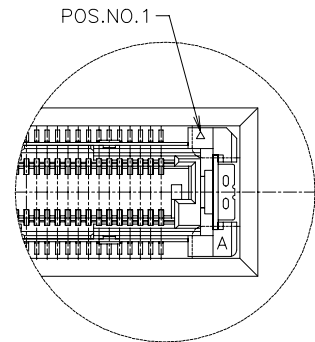
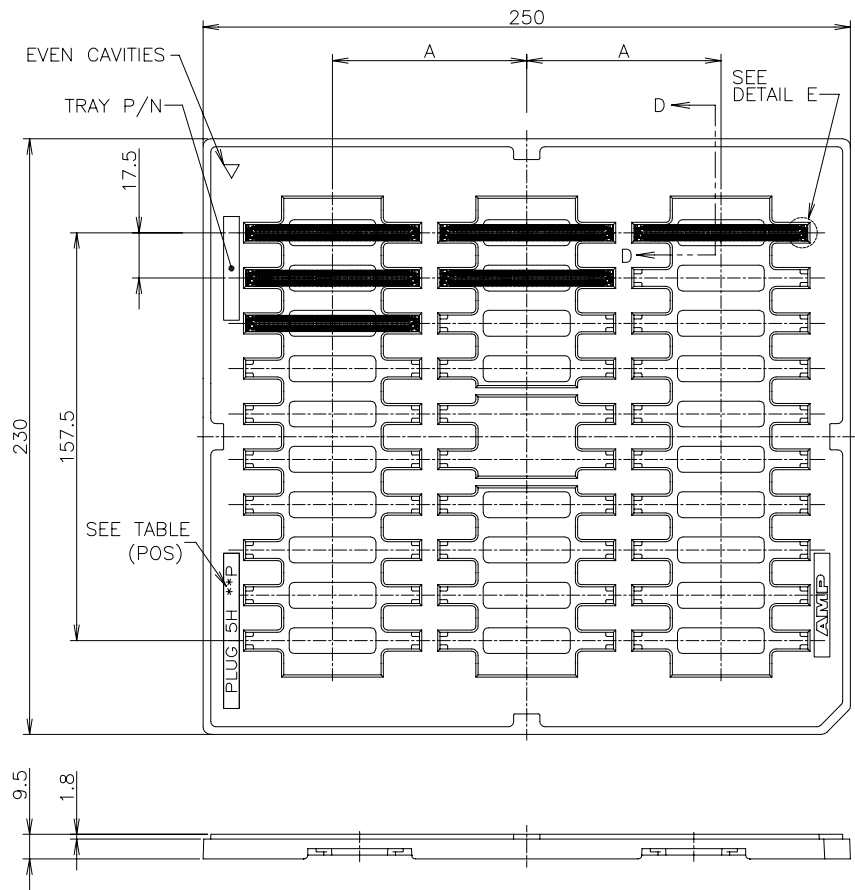


REVISIONS					
P	LTR	DESCRIPTION	DATE	DWN	APVD
D1		REVISED PER ECN-21-102735	21APR2021	A.L	H.L



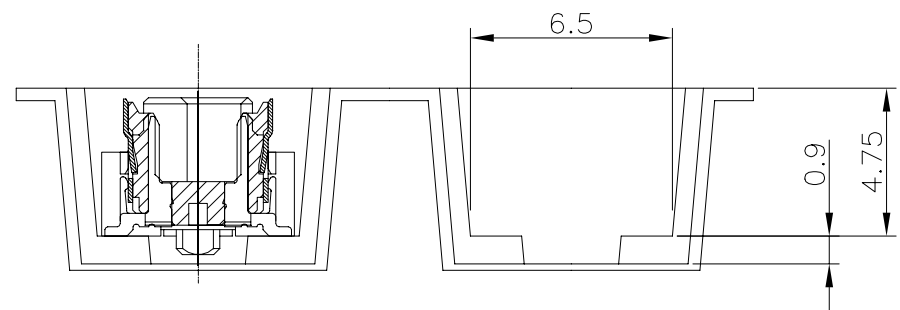
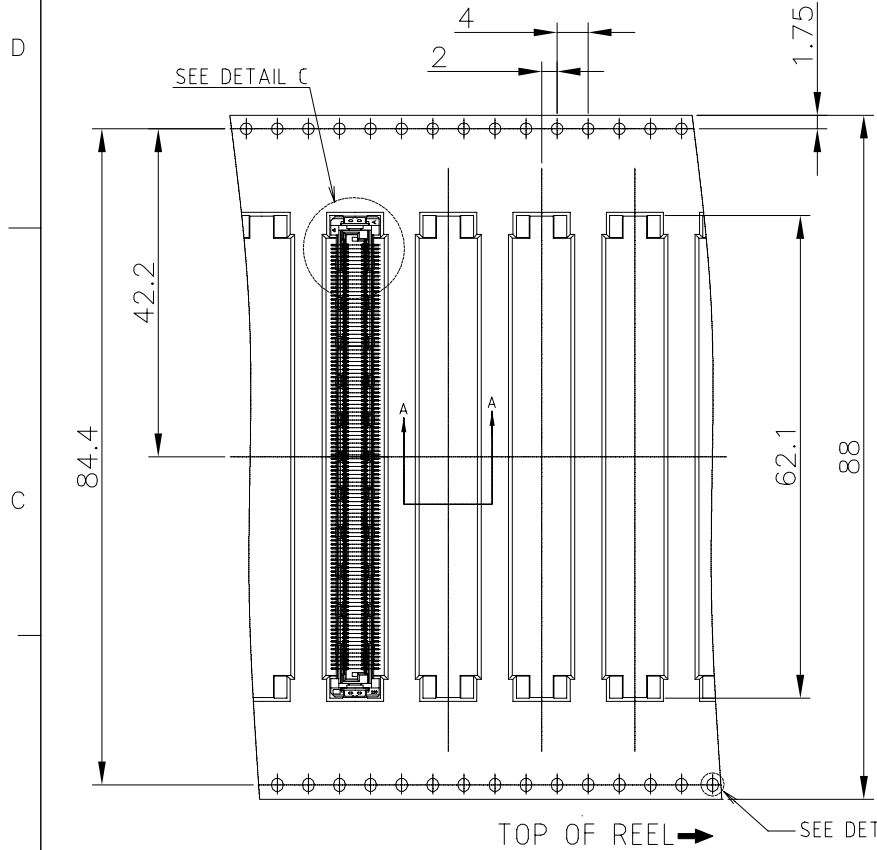
**WITHOUT
CAP**

THIS DRAWING IS A CONTROLLED DOCUMENT.

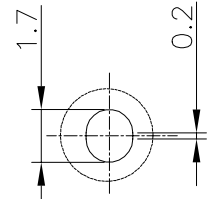
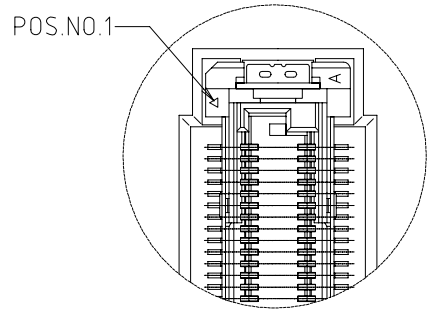
DIMENSIONS: MM		TOLERANCES UNLESS OTHERWISE SPECIFIED:	
		0 PLC	± 0.25
		1 PLC	± 0.15
		2 PLC	± 0.10
		3 PLC	± 0.05
		4 PLC	± 0.0250
		ANGLES	± 3'
MATERIAL		FINISH	

DWN S. CHIEN 18MAY05	TE Connectivity Ltd.				
CHK T. FUTATSUGI 18MAY05	HARD TRAY PACKAGING				
APVD W. KODAMA 18MAY05	FH 0.5 BTB CONNECTOR 220POS				
PRODUCT SPEC 108-5560	PLUG 5H WITH GROUND PLATE				
APPLICATION SPEC	SIZE A3	CAGE CODE 00779	DRAWING NO C=1827253	RESTRICTED TO	
WEIGHT	CUSTOMER DRAWING		SCALE 1:2	SHEET 1 OF 5	REV D1

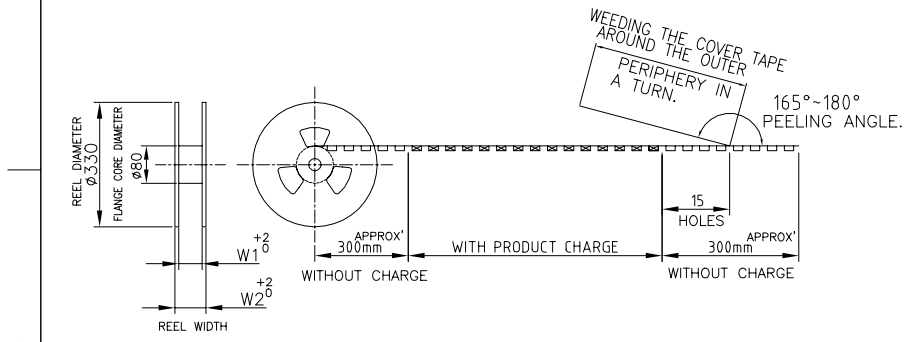
REVISIONS						
P	LTR	DESCRIPTION	DATE	DWN	APVD	
-	-	SEE SHEET 1	-	-	-	-



SECTION A-A
SCALE 4:1



DETAIL C
(SCALE 4:1)



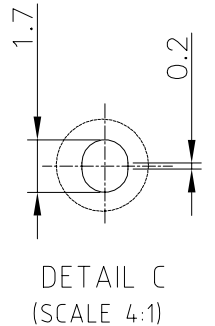
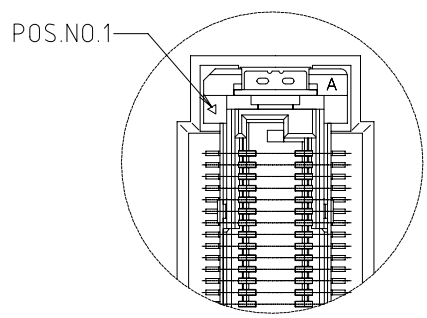
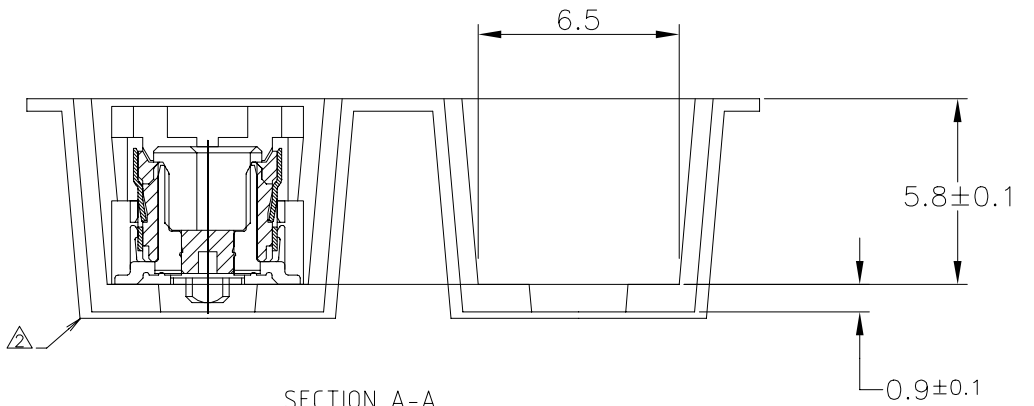
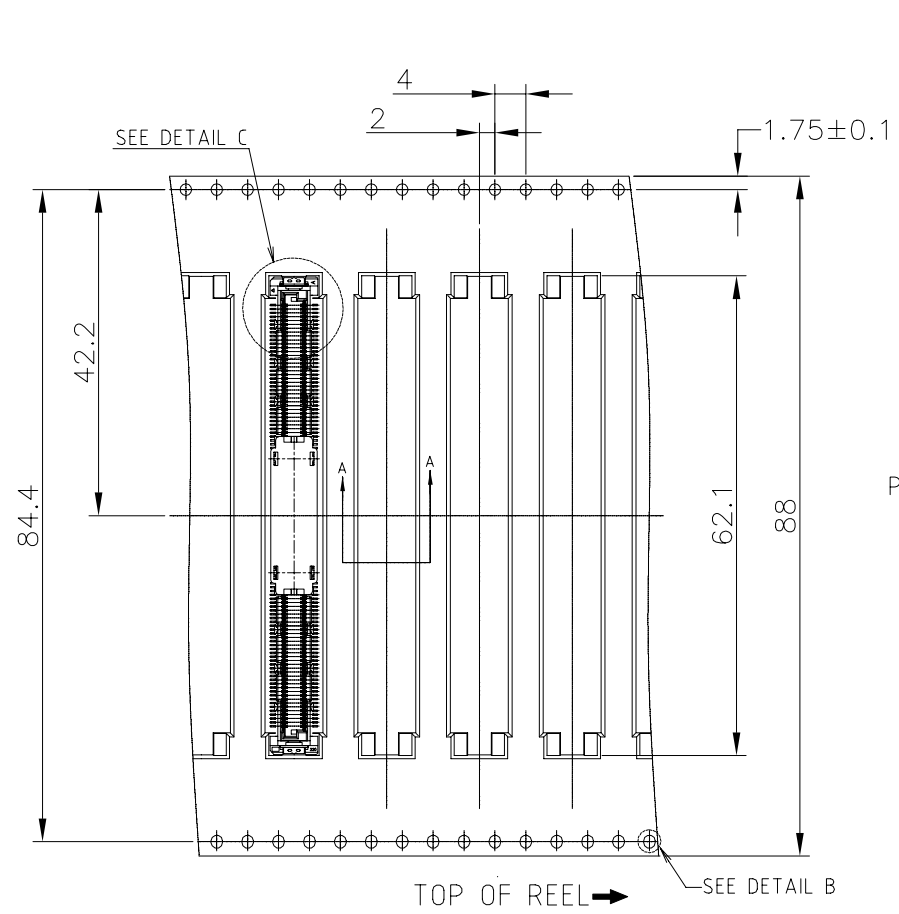
WITHOUT CAP

△	NO	93.5	89.5	800	220	9-1827253-7
△	NO	93.5	89.5	800	220	4-1827253-6
FINISH	SEALANT SIF-200B	W2	W1	QTY/ REEL	POS	TAPING P/N

THIS DRAWING IS A CONTROLLED DOCUMENT.

DWN	S. CHIEN	18MAY05	TE Connectivity Ltd. ON TAPING EMBOSS FH 0.5 BTB CONNECTOR 220POS PLUG 5H WITH GROUND PLATE	RESTRICTED TO		
CHK	T. FUTATSUGI	18MAY05				
APVD	W. KODAMA	18MAY05				
PRODUCT SPEC						
MATERIAL	FINISH	APPLICATION SPEC	SIZE	CAGE CODE	DRAWING NO	A3 00779 C=1827253
CUSTOMER DRAWING			SCALE	SHEET	REV	1:2 2 of 5 D1

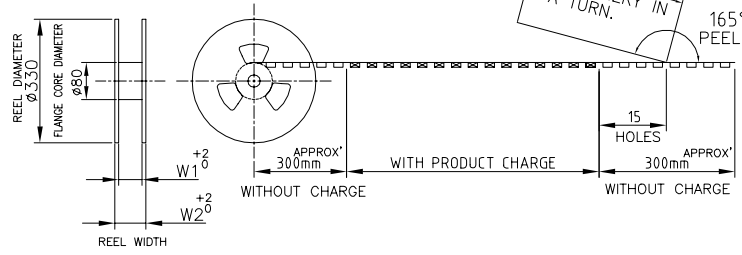
REVISIONS					
P	LTR	DESCRIPTION	DATE	DWN	APVD
-	-	SEE SHEET 1	-	-	-



WITH CAP

△	BLACK	NO	93.5	89.5	700	220	9-1827253-9
△	NATURE	NO	93.5	89.5	700	220	9-1827253-8
△	NATURE	NO	93.5	89.5	700	220	4-1827253-8
FINISH	CAP COLOR	SEALANT SIF-200B	W2	W1	QTY/ REEL	POS	TAPING P/N

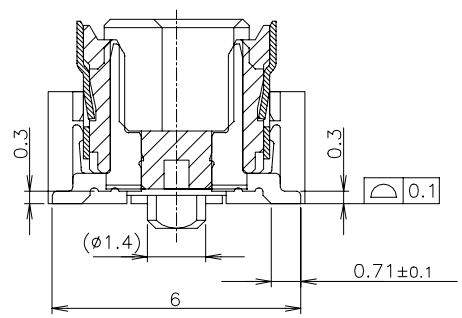
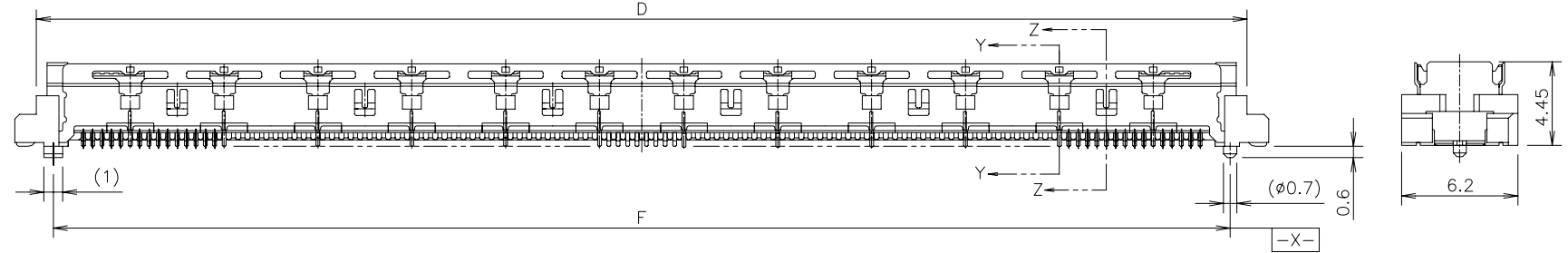
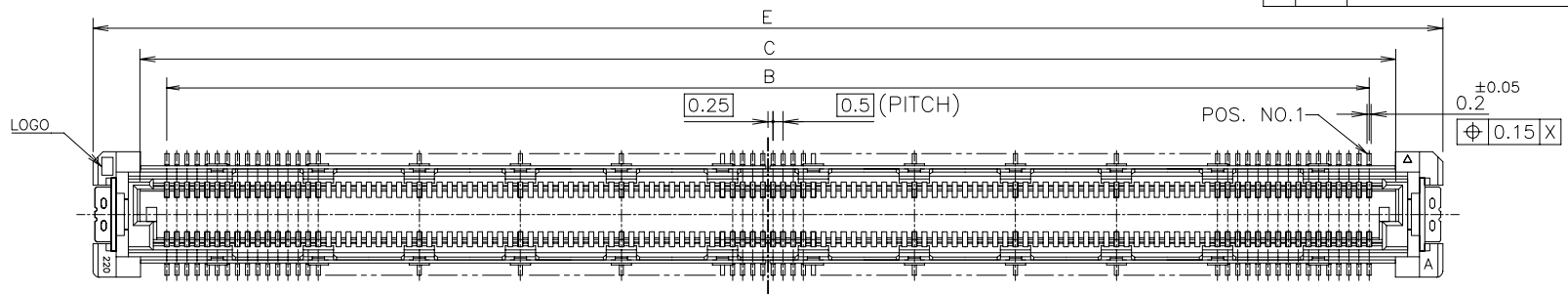
WEEDING THE COVER TAPE AROUND THE OUTER PERIPHERY IN A TURN.
165°~180° PEELING ANGLE.



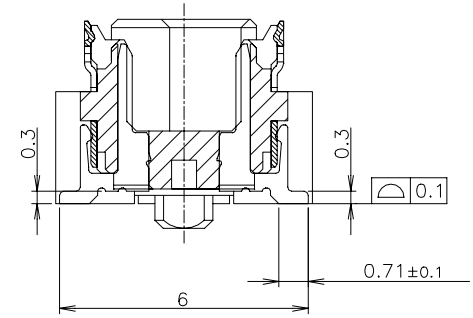
THIS DRAWING IS A CONTROLLED DOCUMENT.

DWN	S. CHIEN	18MAY05	TE Connectivity Ltd. ON TAPING EMBOSS FH 0.5 BTB CONNECTOR 220POS PLUG 5H WITH GROUND PLATE	RESTRICTED TO				
CHK	T. FUTATSUGI	18MAY05						
APVD	W. KODAMA	18MAY05						
PRODUCT SPEC								
APPLICATION SPEC			SIZE	CAGE CODE	DRAWING NO			
WEIGHT			A3	00779	G=1827253			
CUSTOMER DRAWING			SCALE	1:2	SHEET	3 of 5	REV	D1

REVISIONS					
P	LTR	DESCRIPTION	DATE	DWN	APVD
-	-	SEE SHEET 1	-	-	-



SECT. Z-Z
(SIGNAL POSITION)
(SCALE 8:1)



SECT. Y-Y
(GROUND POSITION)
(SCALE 8:1)

57.7	61.8	59.5	57.1	54.5	BLACK	220	9-1827253-9
57.7	61.8	59.5	57.1	54.5	BLACK	220	9-1827253-8
57.7	61.8	59.5	57.1	54.5	BLACK	220	9-1827253-7
57.7	61.8	59.5	57.1	54.5	BLACK	220	9-1827253-6
57.7	61.8	59.5	57.1	54.5	BLACK	220	4-1827253-8
57.7	61.8	59.5	57.1	54.5	BLACK	220	4-1827253-6
57.7	61.8	59.5	57.1	54.5	BLACK	220	3-1827253-6
F	E	D	C	B	CONN. COLOR	POS.	PART NO.

THIS DRAWING IS A CONTROLLED DOCUMENT.

DIMENSIONS: MM	TOLERANCES UNLESS OTHERWISE SPECIFIED:	DWN
	0 PLC ± 0.25	CHK
	1 PLC ± 0.15	APVD
	2 PLC ± 0.10	PRODUCT SPEC
	3 PLC ± 0.05	APPLICATION SPEC
	4 PLC ± 0.0250	WEIGHT
	ANGLES ± 3°	CUSTOMER DRAWING

STE TE Connectivity Ltd.

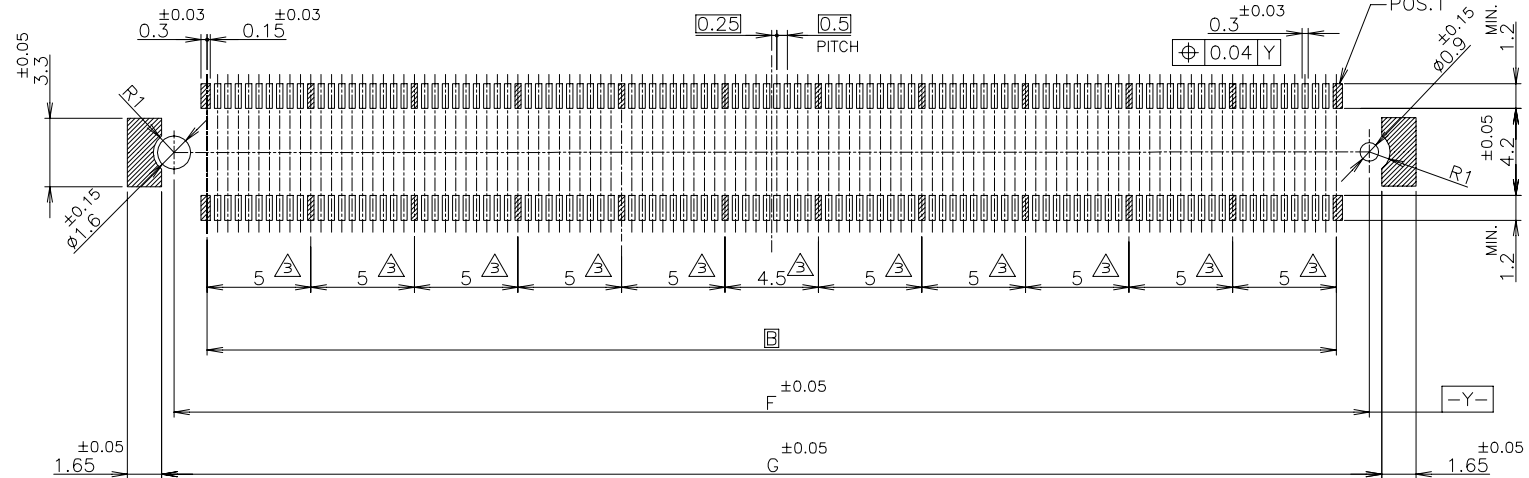
ASSEMBLY
FH 0.5 BTB CONNECTOR 220POS
PLUG 5H WITH GROUND PLATE

SIZE	CAGE CODE	DRAWING NO	RESTRICTED TO
A3	00779	C=1827253	

SCALE 4:1 SHEET 4 OF 5 REV D1

REVISIONS

P	LTR	DESCRIPTION	DATE	DWN	APVD
-	-	SEE SHEET 1	-	-	-



REFERENCE P.C.BOARD LAYOUT OF CONNECTOR

NOTES

- △ MATERIAL ; HOUSING: HIGH TEMP THERMO PLASTIC UL94V-0
CONTACT: COPPER ALLOY
SOLDER PEG : COPPER ALLOY
- △ FINISH ; SIGNAL CONTACT : UNDER PL. Ni 0.0013mm MIN ALL OVER
CONTACT AREA 0.0002mm MIN Au PL.
SOLDERING AREA 0.00005mm MIN Au PL.
GROUND CONTACT : UNDER PL. Ni 0.0013mm MIN ALL OVER
CONTACT AREA 0.0002mm MIN Au PL.
SOLDERING AREA 0.00005mm MIN Au
- SOLDER PEG: TIN PL. 0.0001mm MIN OVER
UNDER PL. Ni OR COPPER 0.0013mm MIN ALL OVER
- △ THIS POSITION IS GROUND CIRCUIT.
- △ HIGH TEMPERATURE VERSION.
- △ FINISH ; SIGNAL CONTACT : UNDER PL. Ni 0.0013mm MIN ALL OVER
CONTACT AREA 0.00076mm MIN Au PL.
SOLDERING AREA 0.00005mm MIN Au PL.
- GROUND CONTACT : UNDER PL. Ni 0.0013mm MIN ALL OVER
CONTACT AREA 0.00076mm MIN Au PL.
SOLDERING AREA 0.00005mm MIN Au
- SOLDER PEG: TIN PL. 0.0001mm MIN OVER
UNDER PL. Ni OR COPPER 0.0013mm

59.5	220	9-1827253-9
59.5	220	9-1827253-8
59.5	220	9-1827253-7
59.5	220	9-1827253-6
59.5	220	4-1827253-8
59.5	220	4-1827253-6
59.5	220	3-1827253-6
G	POS.	PART NO.

THIS DRAWING IS A CONTROLLED DOCUMENT.		DWN	TE Connectivity Ltd.	
		CHK		
DIMENSIONS: MM		APVD	NAME	
TOLERANCES UNLESS OTHERWISE SPECIFIED:		PRODUCT SPEC	ASSEMBLY	
0 PLC ± 0.25		APPLICATION SPEC	FH 0.5 BTB CONNECTOR 220POS	
1 PLC ± 0.15		WEIGHT	PLUG 5H WITH GROUND PLATE	
2 PLC ± 0.10		CUSTOMER DRAWING	SIZE	RESTRICTED TO
3 PLC ± 0.05			A3	
4 PLC ± 0.0250			CAGE CODE	DRAWING NO
ANGLES ± 3°			00779	G=1827253
MATERIAL	FINISH	SCALE	SHEET	REV
		4:1	5 of 5	D1

X-ON Electronics

Largest Supplier of Electrical and Electronic Components

Click to view similar products for [Board to Board & Mezzanine Connectors](#) category:

Click to view products by [TE Connectivity](#) manufacturer:

Other Similar products are found below :

[589158040000018](#) [MDF7C-18P-2.54DSA\(55\)](#) [FCN-230C068-11](#) [FCN-268F012-G/BD](#) [FCN-268F036-G/BD](#) [FCN-268M012-G/0D](#) [FCN-268M024-G/1D](#) [FCN-723J004/1](#) [MIS-048-01-F-D-DP-K](#) [832-10-034-10-001000](#) [FX4C-80S-1.27DSA](#) [FCN-214Q030-G/0](#) [FCN-234P048-G/0](#) [FCN-235D050-G/C](#) [210-93-314-41-105000](#) [2-22603-0](#) [MDF7-40DP-2.54DSA\(55\)](#) [AXG720047](#) [5031084030](#) [MIT-114-03-F-D-K](#) [55323-1519](#) [DF33-2P-3.3DSA\(24\)](#) [YFT-20-05-H-03-SB-K](#) [503308-3040](#) [026-6203-PDB](#) [027-6203-PDB](#) [069159702701000](#) [10123981-102LF](#) [101A10019X](#) [55650-0588-C](#) [68682-310LF](#) [68684-306](#) [75140-7012](#) [87471-650](#) [194261-1](#) [FCN-268F024-G0D](#) [10124054-515LF](#) [68685-603](#) [8-1616154-3](#) [MIS-019-01-F-D](#) [FCN-268M024-G/3D](#) [20021832-06016C1LF](#) [KX15-20KLDL-E1000E](#) [MDF7-16DP-2.54DSA\(55\)](#) [AXE810124](#) [FCN-214J100-G/0](#) [FCN-230C068-E/S](#) [AXE812124](#) [AXE816124](#) [AXE720127](#)