

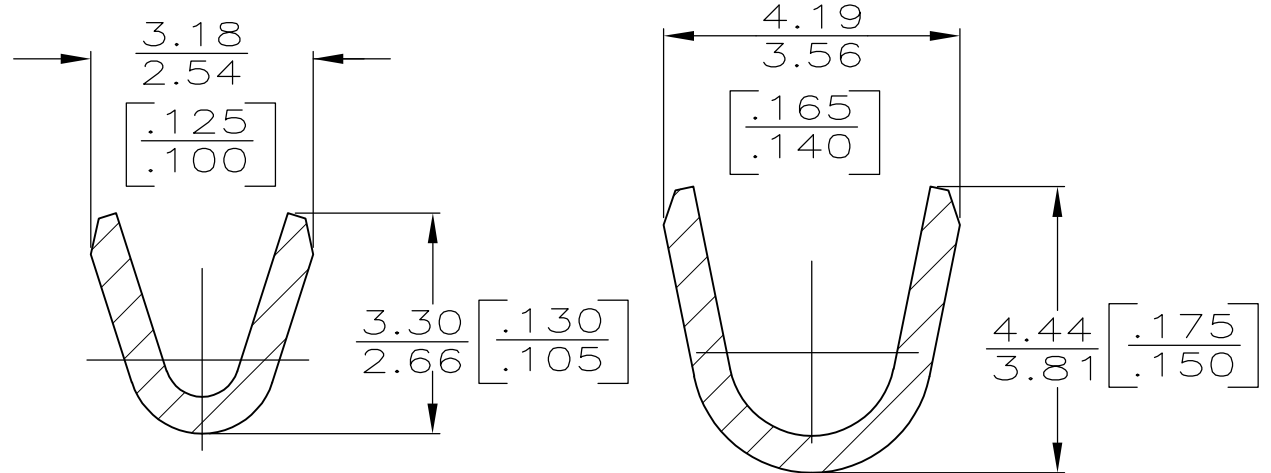
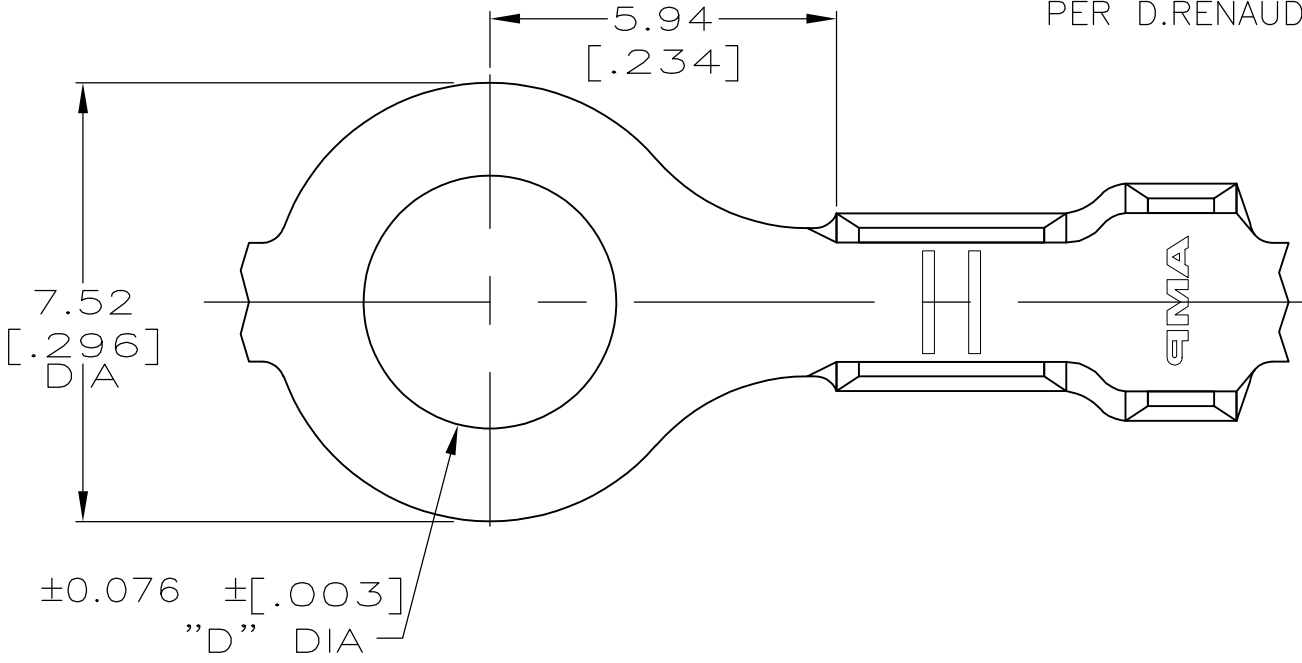
THIS DRAWING IS UNPUBLISHED. RELEASED FOR PUBLICATION
 © COPYRIGHT - By - ALL RIGHTS RESERVED.

LOC	DIST	REVISIONS			
P	LTR	DESCRIPTION	DATE	DWN	APVD
AF	50	L2	REVISED PER ECO-11-004587	11MAR11	RK HMR

6 REDUCED PACKAGE QUANTITY.

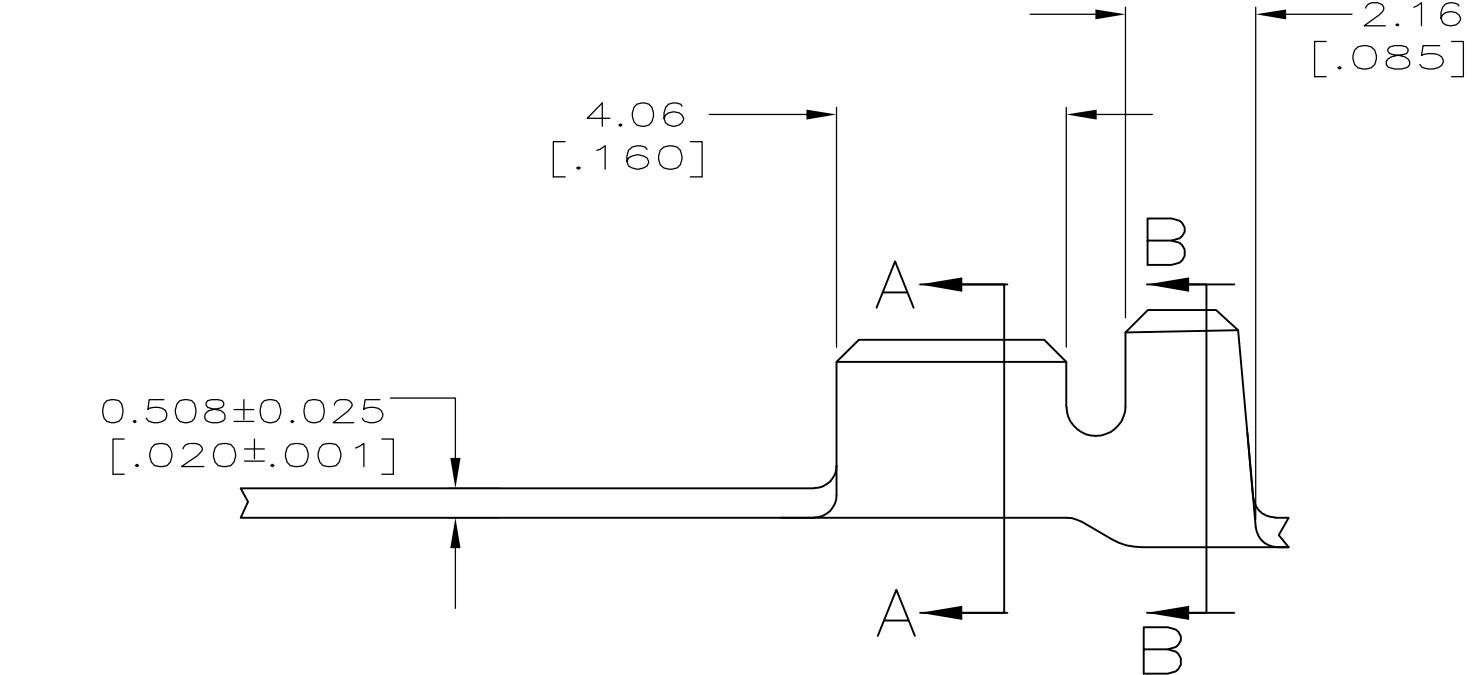
7 OBSOLETE PARTS: OBSOLETE CIS STREAMLINING PER D.RENAUD/D.SINISI

- 1 CONTINUOUS STRIP ON REEL.
- 2 WIRE SIZE IS [#22-#18] AWG.
- 3 INSULATION RANGE IS 2.03-2.79 [.080-.110] DIA.
- 4 FOR FOREIGN PRODUCTION ONLY REELED WITH PAPER INTERLEAVE
- 5 PRELIMINARY - NOT FOR PRODUCTION



SECTION A-A
SCALE 10:1

SECTION B-B
SCALE 10:1



FINISH	STUD SIZE	D	DIM	PART NO	
6 TIN PLATING	M 3.5 - [#6]	3.68	[.145]	5 42037-9	
TIN PLATING	[#10]	5.00	[.197]	5 42037-8	
4 7 OBSOLETE	TIN PLATING	M 4 - [#8]	4.34	[.171]	42037-7
OBSOLETE 4	TIN PLATING	[#10]	5.00	[.197]	42037-6
TIN PLATING	[#10]	5.00	[.197]	42037-2	
TIN PLATING	M 4 - [#8]	4.34	[.171]	42037-1	
TIN PLATING	M 3.5 - [#6]	3.68	[.145]	42037	

0.508±0.025
[.020±.001]

THIS DRAWING IS A CONTROLLED DOCUMENT.

DIMENSIONS:	TOLERANCES UNLESS OTHERWISE SPECIFIED:
mm [INCHES]	
	0 PLC ± -
	1 PLC ± -
	2 PLC ± 0.25 [.010]
	3 PLC ± -
	4 PLC ± -
	ANGLES ± -

MATERIAL: 082 BRASS
FINISH: SEE TABLE

DWN	JR RUTH	01AUG00
CHK	MS FEHER	01AUG00
APVD	D DECKER	01AUG00
PRODUCT SPEC		
APPLICATION SPEC		
WEIGHT	-	



SIZE	CAGE CODE	DRAWING NO	RESTRICTED TO
A3	00779	C-42037	-

CUSTOMER DRAWING SCALE 8:1 SHEET 1 OF 1 REV L2

X-ON Electronics

Largest Supplier of Electrical and Electronic Components

Click to view similar products for [Terminals](#) category:

Click to view products by [TE Connectivity](#) manufacturer:

Other Similar products are found below :

[00-054007-01074-6](#) [00-054007-70206-1](#) [00-054007-70210-8](#) [00-054007-70217-7](#) [00-054007-70226-9](#) [00-054007-70228-3](#) [00-054007-70248-1](#) [00-054007-70256-6](#) [00-054007-70301-3](#) [00-054007-70316-7](#) [00-054007-49560-4](#) [00-054007-70209-2](#) [00-054007-70225-2](#) [00-054007-70227-6](#) [00-054007-70231-3](#) [00-054007-70241-2](#) [00-054007-70242-9](#) [00-054007-70244-3](#) [00-054007-70246-7](#) [00-054007-70263-4](#) [00-054007-70288-7](#) [00-054007-70290-0](#) [00-054007-70300-6](#) [00-054007-70304-4](#) [01-2065-1-0216](#) [01-2900-1-04412](#) [00581P0075](#) [600TS-10](#) [60205-1](#) [604200-1](#) [605601-1](#) [60598-1-CUT-TAPE](#) [61314-6-C](#) [61810-3](#) [61-S](#) [61-SN](#) [626-0194](#) [62-NBM-A](#) [62-SN](#) [62-SP](#) [63-S](#) [640179-1](#) [M55155/059I03](#) [M55155/079C01](#) [M55155/099H02](#) [M55155/109H01](#) [M55155/109H02](#) [M55155/12XH05](#) [M55155/16XH02](#) [M55155/29-5S](#)