

4

3

2

1

THIS DRAWING IS UNPUBLISHED.

RELEASED FOR PUBLICATION

ALL RIGHTS RESERVED.

© COPYRIGHT - TE Connectivity Ltd.

REVISIONS

P	LTR	DESCRIPTION	DATE	DWN	APVD
	C	REVISED (ECR-19-011814)	26JUL2019	HX	WH

NOTE:

- MATERIAL:
HOUSING: LCP, WITH 40% GF, UL 94V-0, NATURAL COLOR.
SPACER: LCP, WITH 30% GF, UL 94V-0, BLACK COLOR.
CONTACTS: PHOSPHOR BRONZE.
HOLD DOWN: BRASS.
- FINISH:
CONTACTS: GOLD FLASH PLATED ALL CONTACT AREA,
1.27μm [50μ"] MIN. NICKEL UNDERPLATED OVER ALL.
HOLD DOWN: 3.04μm [120μ"]~5.08μm [200μ"] MATTE-TIN OVER ALL.
1.27μm [50μ"] MIN. NICKEL UNDERPLATED OVER ALL.
- REFLOW SOLDER CAPABLE TO 260°C PER TEST SPEC.
109-201, CONDITION B.

RECOMMENDED P.C. BOARD PATTERN LAYOUT
METAL MASK: T=0.15, TOLERANCE: ±0.05

POS.	PN	DIM.A	DIM.B	DIM.C	DIM.D	DIM.E	DIM.F	DIM.G	DIM.H	DIM.I
40	4-2041215-0	19.50	24.90	20.60	20.65	25.23	22.00	25.60	22.10	20.50
60	2041215-1	29.50	34.90	30.60	30.65	35.23	32.00	35.60	32.10	30.50

THIS DRAWING IS A CONTROLLED DOCUMENT.

DWN J. LAI 17SEP2009

CHK S. CHIEN 17SET2009

APVD W. KODAMA

PRODUCT SPEC

108-57789

APPLICATION SPEC

-

WEIGHT -

CUSTOMER DRAWING

NAME
ZIF FPC 0.50mm PITCH CONNECTOR,
2.5mm HIGH, LOCK TYPE

SIZE A3 CAGE CODE 00779 DRAWING NO C=2041215 RESTRICTED TO -

SCALE 1:1 SHEET 1 OF 1 REV C

1470-19 (1/15)

4

3

2

1

THIS DRAWING IS UNPUBLISHED.

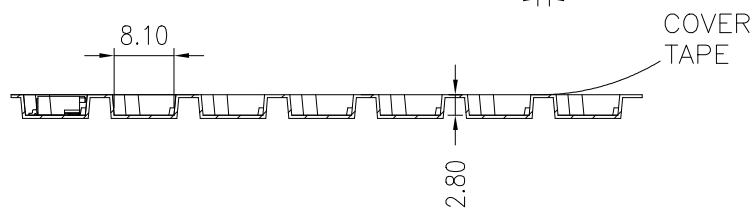
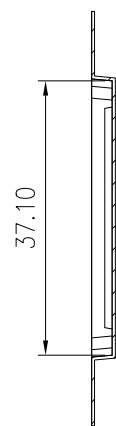
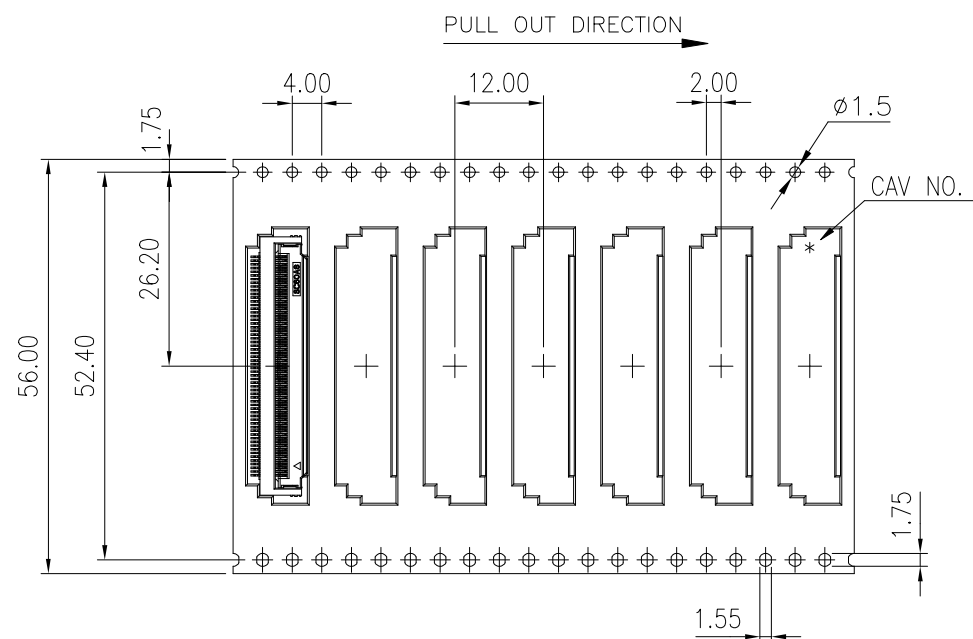
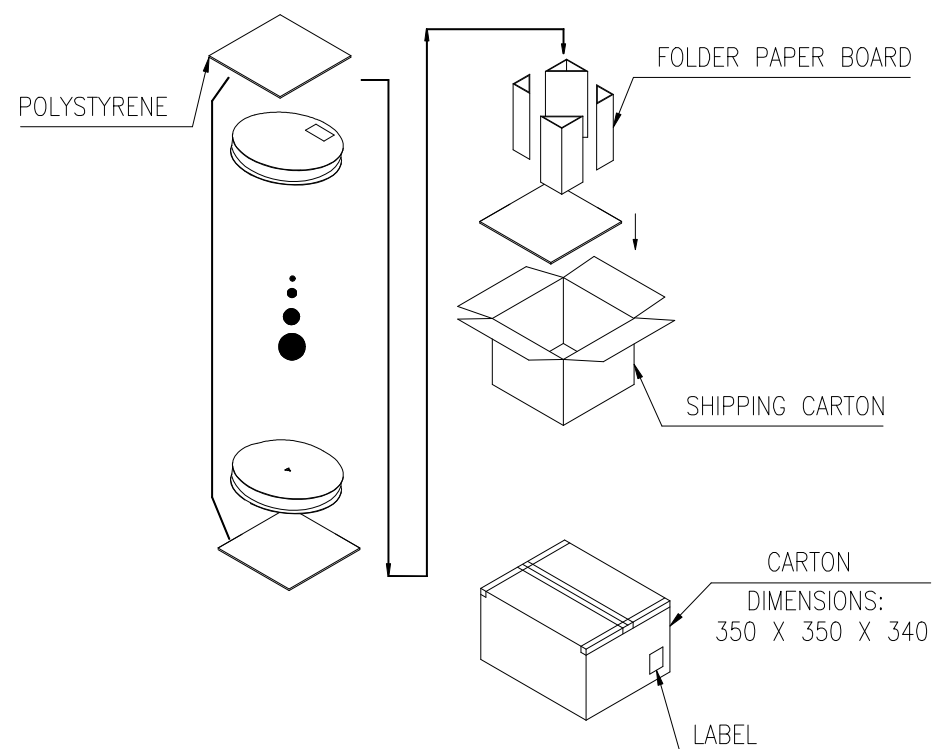
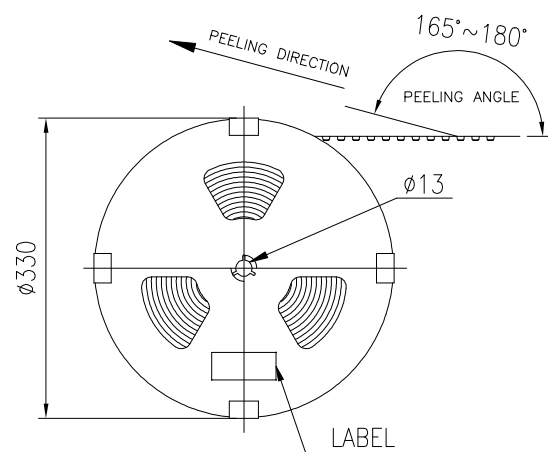
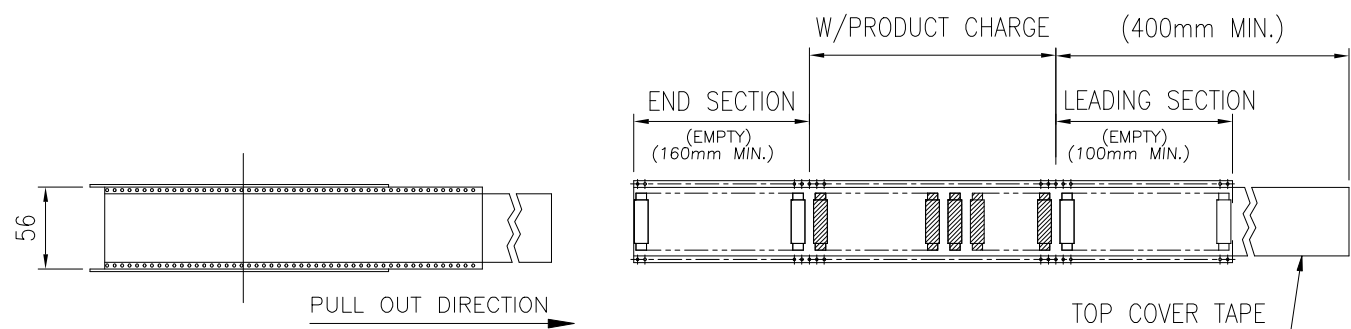
RELEASED FOR PUBLICATION

REVISIONS

© COPYRIGHT - TE Connectivity Ltd.

ALL RIGHTS RESERVED.

P	LTR	DESCRIPTION	DATE	DWN	APVD
-	-	SEE SHEET 1	-	-	-



10800	6	1800	4-2041215-0
9000	5	1800	2041215-1
QUANTITY(PCS)	REEL/CARTON	PCS/REEL	PN

THIS DRAWING IS A CONTROLLED DOCUMENT.		DWN J. LAI 17SEP2009	TE Connectivity	
		CHK S. CHIEN 17SET2009		
DIMENSIONS: mm		TOLERANCES UNLESS OTHERWISE SPECIFIED:		NAME
		0 PLC ± - 1 PLC ± 0.30 2 PLC ± 0.20 3 PLC ± 0.15 4 PLC ± - ANGLES ± -		ZIF FPC 0.50mm PITCH CONNECTOR, 2.5mm HIGH, LOCK TYPE
MATERIAL SEE NOTE		FINISH SEE NOTE		PRODUCT SPEC 108-57789
		APPLICATION SPEC -		SIZE A3
		WEIGHT -		CAGE CODE 00779
		CUSTOMER DRAWING		DRAWING NO C=2041215
		SCALE 1:1		RESTRICTED TO -
		SHEET 2 of 2		REV C

X-ON Electronics

Largest Supplier of Electrical and Electronic Components

Click to view similar products for [FFC & FPC Connectors](#) category:

Click to view products by [TE Connectivity](#) manufacturer:

Other Similar products are found below :

[FPH-1422G](#) [FPH-1602G](#) [K-FC20](#) [FH29B-80S-0.2SHW\(99\)](#) [FPH-2022G](#) [AYF332735](#) [52610-1075](#) [52610-1275](#) [52610-1934](#) [501864-3091-TR225](#) [086222026001800](#) [52610-0675](#) [62684-36210E9ALF](#) [52746-1671-TR250](#) [10051922-2810EHLF](#) [6-520415-9](#) [SFV6R-1STE9HLF](#) [XF3M-2915-1B-R100](#) [1658549-1](#) [AYF534065TA](#) [AYF351525](#) [086212040340800+](#) [67000-014LF](#) [67000-004LF](#) [006207341915000+](#) [DS1020-19RT1D](#) [67000-003LF](#) [67000-011LF](#) [67000-016LF](#) [HFW14R-2STE9LF](#) [SFV32R-2STBE9HLF](#) [SFW12R-5STE9LF](#) [SFW18R-1STAE9LF](#) [SFW4R-5STE9LF](#) [52807-0430](#) [046283021002868+](#) [THD1015-8CL-SN](#) [67000-006LF](#) [502250-8027](#) [104267-9617](#) [66987-011LF](#) [AYF362535](#) [F0501-T-50-20T-R](#) [F1003-ZV-12-25T-R](#) [HFW8S-2STAE1HLF](#) [67000-008LF](#) [67000-012LF](#) [ECC576069EU](#) [F1002-B-20-20T-R](#) [HFW15S-2STAE1HLF](#)