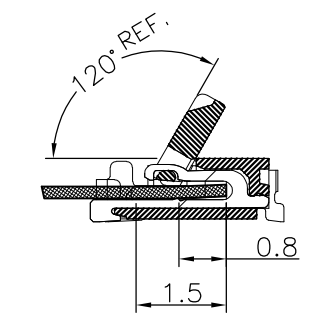
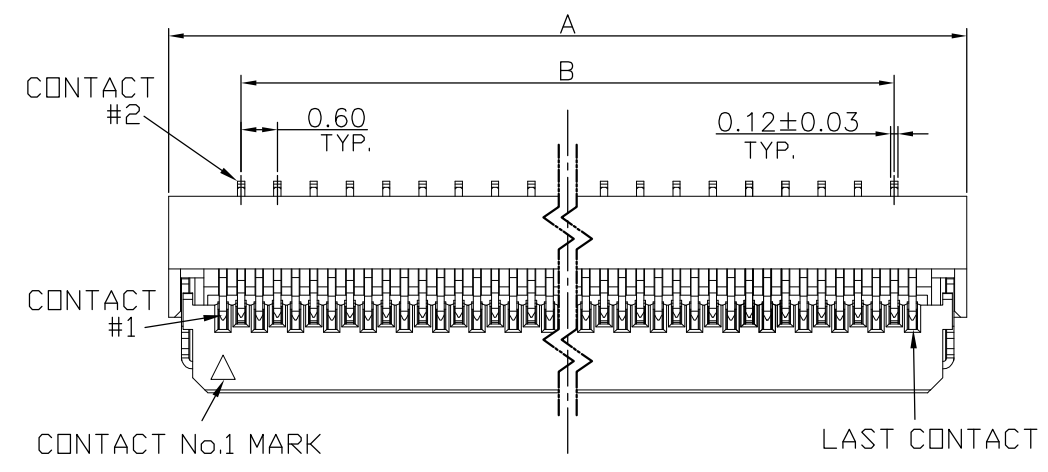
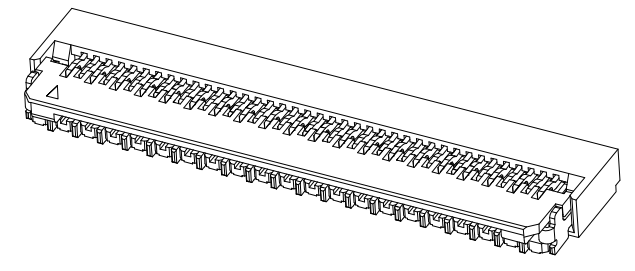
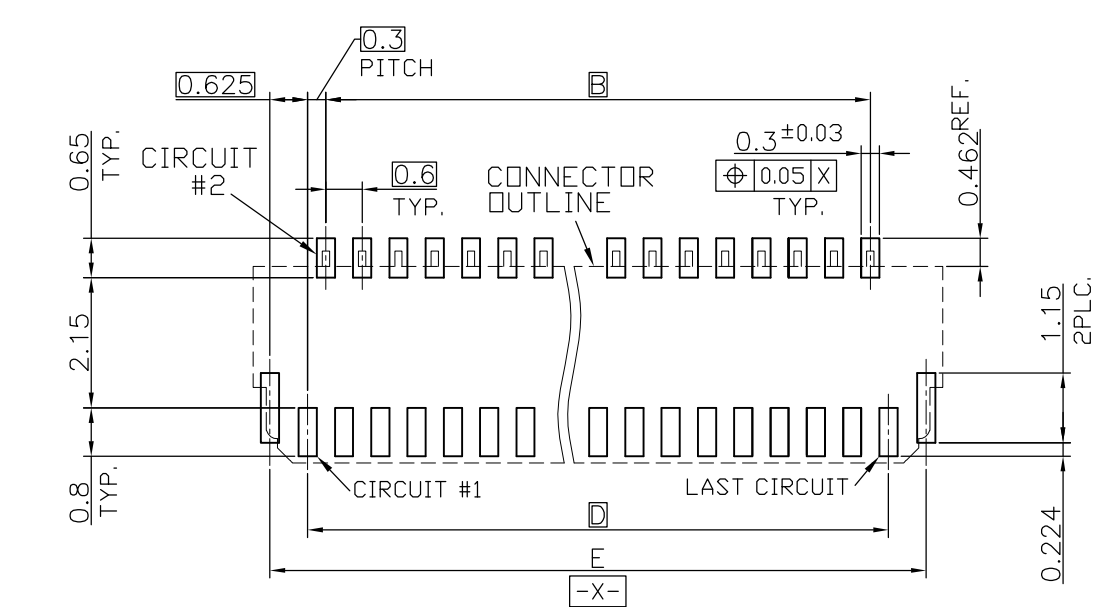
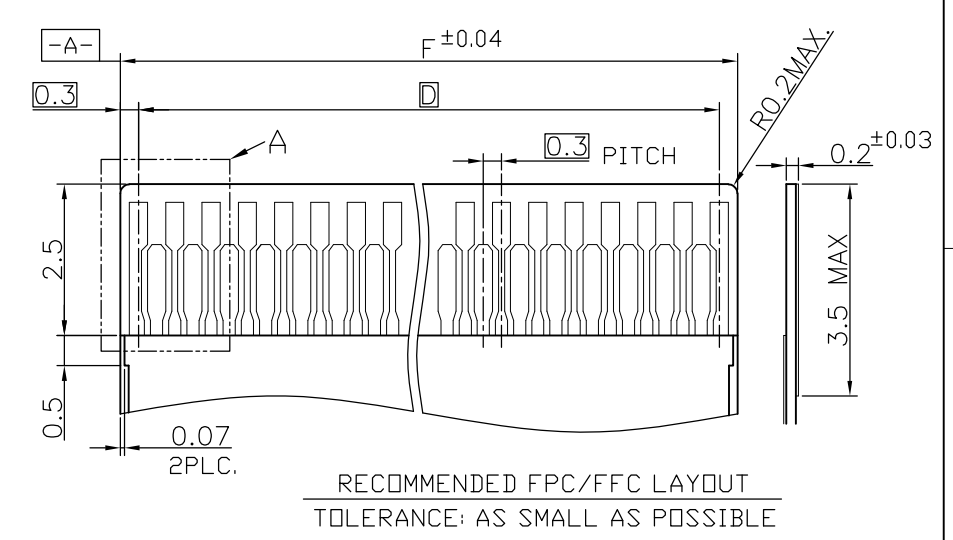
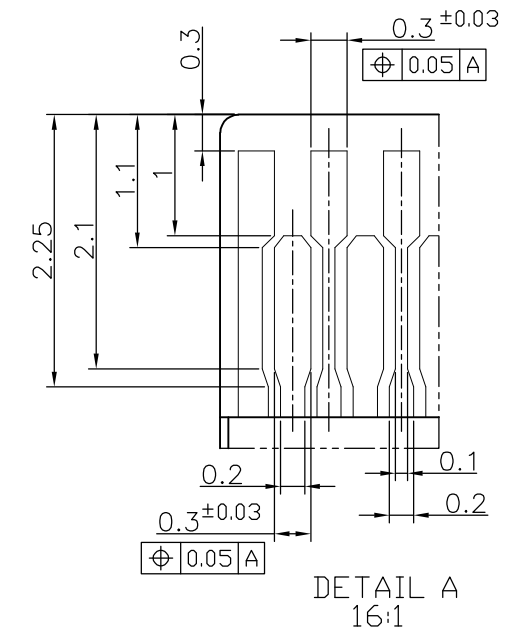
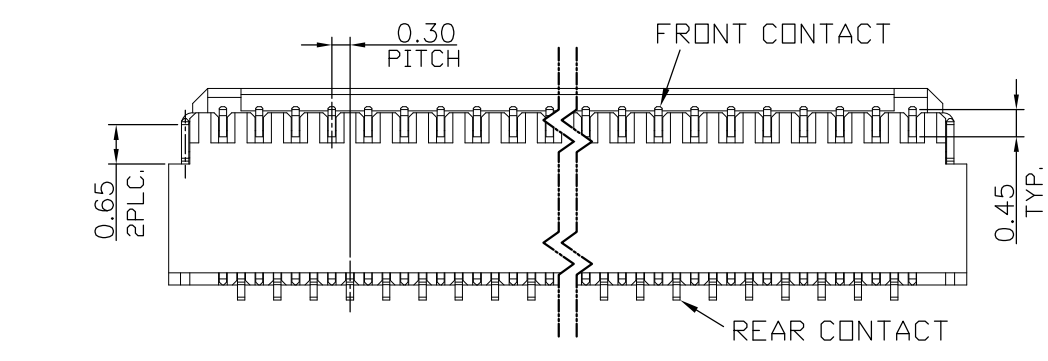
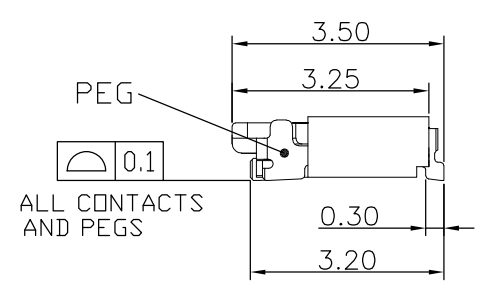
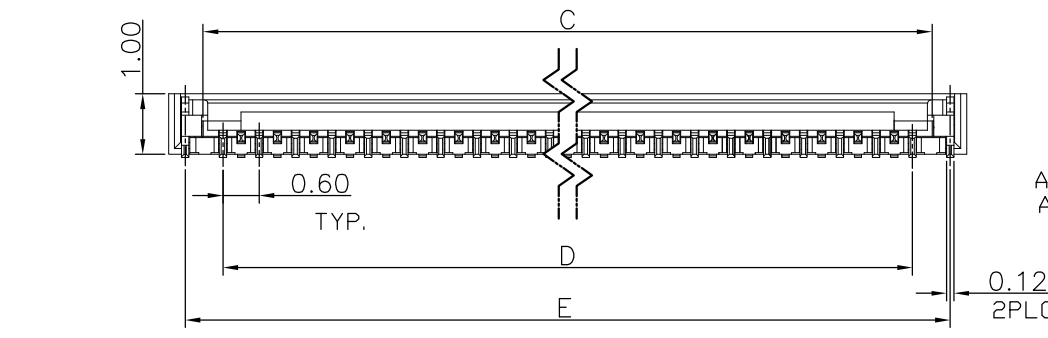


THIS DRAWING IS UNPUBLISHED. RELEASED FOR PUBLICATION
 © COPYRIGHT - Tyco Electronics Japan G.K. ALL RIGHTS RESERVED.

REVISIONS					
P	LTR	DESCRIPTION	DATE	DWN	APVD
	C1	REVISED	07APR2016	H.F	A.K



- 1 MATERIAL : HOUSING : LCP, UL94V-0, BLACK
 ACTUATOR : LCP, UL94V-0, NATURAL
 CONTACT&PEG : PHOSPHOR BRONZE
- 2 FINISH : CONTACT : GOLD FLASH PLATED ON CONTACT AREA AND SOLDER TAIL, WITH ENTIRE CONTACT UNDER PLATED 1.27 μm[50 μ"]MIN. NICKEL.
 PEG : GOLD FLASH PLATED OVER 1.27 μm[50 μ"]MIN. NICKEL.
- 3 REFLOW SOLDER CAPABLE TO 260°C PER TEC-109-201, CONDITION B.
- 4 SUBSTANCE RESTRICTIONS FOR LOW HALOGEN (BY WEIGHT)
 - BROMINE(Br) ≤ 900ppm(0.09%)
 - CHLORINE(Cl) ≤ 900ppm(0.09%)
 - TOTAL CONCENTRATION OF Cl+Br ≤ 1500ppm(0.15%)



F	E	D	C	B	A	No. OF CONTACTS	PART NUMBER
21.60	22.25	21.00	21.65	20.40	22.80	71	7-2041390-1
15.60	16.25	15.00	15.65	14.40	16.80	51	5-2041390-1
13.80	14.45	13.20	13.85	12.60	15.00	45	4-2041390-5
12.00	12.65	11.40	12.05	10.80	13.20	39	3-2041390-9

THIS DRAWING IS A CONTROLLED DOCUMENT.		DWN A.WU 15JUN2011	TE Connectivity			
DIMENSIONS: mm		CHK S.CHEN 15JUN2011				
TOLERANCES UNLESS OTHERWISE SPECIFIED:		APVD W.KODAMA 15JUN2011	NAME			
0 PLC ± -		PRODUCT SPEC 108-57877	FPC CONNECTOR, 0.3 PITCH			
1 PLC ± 0.3		APPLICATION SPEC	ZIF, BOTTOM CONTACT			
2 PLC ± 0.2			SIZE	CAGE CODE	DRAWING NO	RESTRICTED TO
3 PLC ± 0.15			A3	00779	C-2041390	-
4 PLC ± -			CUSTOMER DRAWING		SCALE NTS	SHEET 1 OF 2
ANGLES ± -					REV C1	
FINISH SEE NOTE						

THIS DRAWING IS UNPUBLISHED.

RELEASED FOR PUBLICATION

© COPYRIGHT - Tyco Electronics Japan G.K.

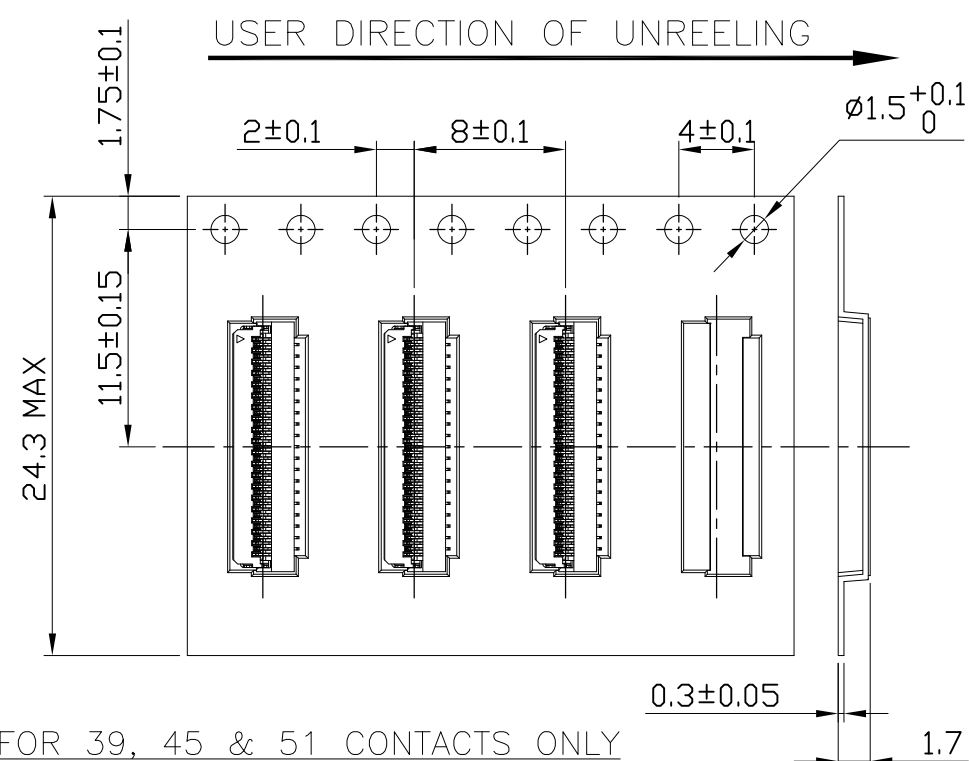
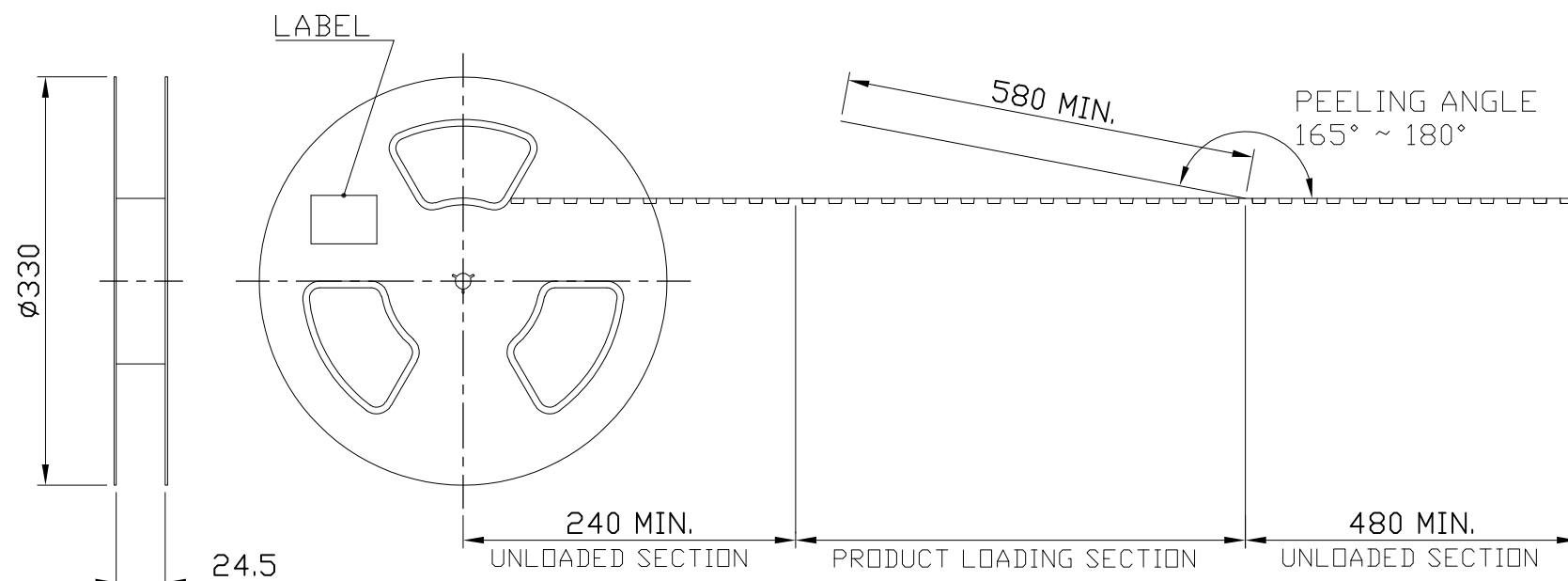
ALL RIGHTS RESERVED.

REVISIONS

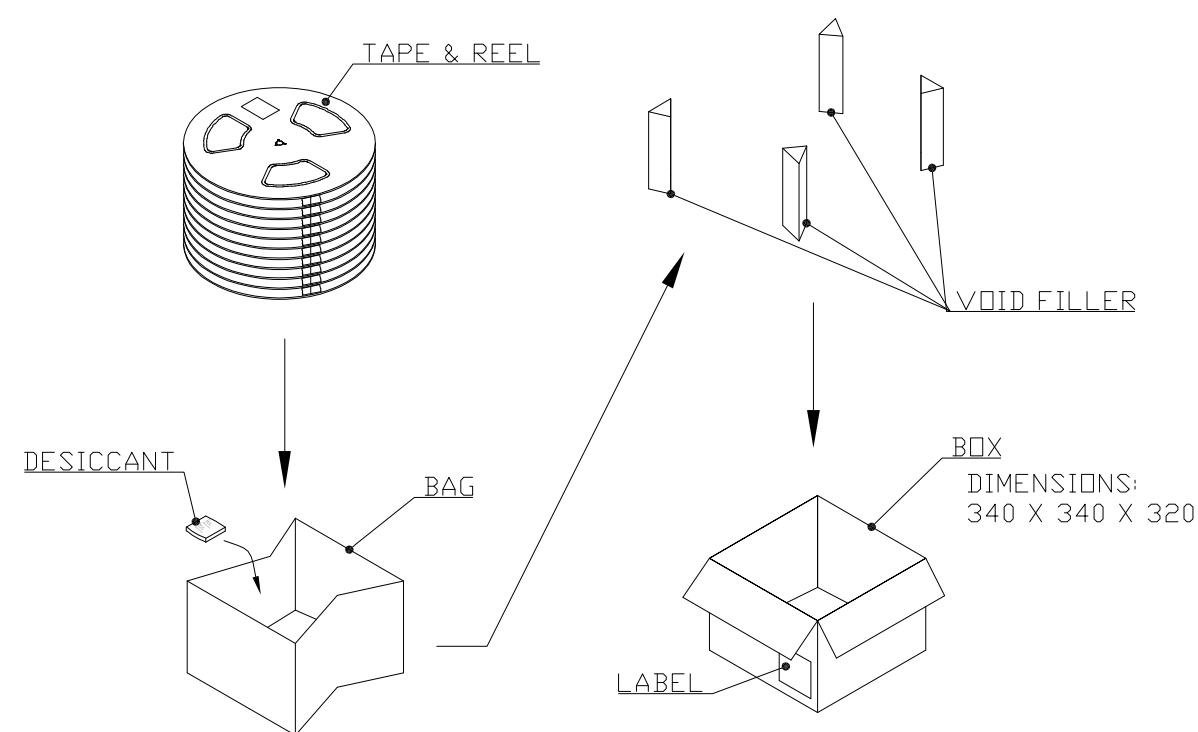
P	LTR	DESCRIPTION	DATE	DWN	APVD
-	-	SEE SHEET 1	-	-	-

NOTES:

- MATERIAL:
BOX: FIBREBOARD, CORRUGATED, DOUBLE WALL.
COVER TAPE: PET, 120°C, TRANSPARENT.
CARRIER TAPE: POLYSTYRENES, TRANSPARENT.
REEL: HIPS, BLUE COLOR.
BAG: POLYETHYLENES, TRANSPARENT.
- EACH BAG SHALL BE INCLUDED DESICCANT.
- PEELING STRENGTH: 0.1 ~ 1.3 N (10 ~ 130 GRAMS).
- PEELING SPEED: 300 mm/min.



FOR 39, 45 & 51 CONTACTS ONLY



27000	6	4500	4.56	9.56	71
45000	10	4500	4.41	9.41	51
45000	10	4500	3.96	8.96	45
45000	10	4500	3.42	8.42	39
PCS /BOX	REELS /BOX	PCS /TAPE	N/W (kg)	G/W (kg)	No. OF CONTACT

THIS DRAWING IS A CONTROLLED DOCUMENT.		DWN	-			
DIMENSIONS: mm		CHK	-			
TOLERANCES UNLESS OTHERWISE SPECIFIED:		APVD	-			
0 PLC ± -		PRODUCT SPEC	-			
1 PLC ± -		APPLICATION SPEC	-			
2 PLC ± -		WEIGHT	-			
3 PLC ± -		-				
4 PLC ± -		-				
ANGLES ± -		-				
FINISH ± -		-				
MATERIAL		-				
		STE TE Connectivity		NAME		
		FPC CONNECTOR, 0.3 PITCH ZIF, BOTTOM CONTACT				
SIZE	CAGE CODE	DRAWING NO	RESTRICTED TO			
A3	00779	C-2041390	-			
CUSTOMER DRAWING		SCALE	SHEET	REV		
		NTS	2 OF 2	C1		

X-ON Electronics

Largest Supplier of Electrical and Electronic Components

Click to view similar products for [Crimpers](#) category:

Click to view products by [TE Connectivity](#) manufacturer:

Other Similar products are found below :

[576771-1](#) [576788-2](#) [576788-3](#) [010-0041](#) [010-0055](#) [010-0096](#) [604228-1](#) [606718-1](#) [M225202-37](#) [CT150-2-D02](#) [CT150-6-RH07](#) [M322](#)
[63484-3701](#) [63800-0140](#) [63800-8355](#) [63811-3275](#) [63811-3376](#) [63811-6375](#) [63811-6475](#) [63811-7875](#) [63811-8875](#) [63819-0475](#) [63819-1177](#)
[63819-1875](#) [63819-4375](#) [63819-4475](#) [63823-3475](#) [63823-5175](#) [63823-6375](#) [63823-8375](#) [63827-5375](#) [64001-0975](#) [64001-2175](#) [64001-4175](#)
[662903-2](#) [679513-1](#) [690141-6](#) [690142-4](#) [690602-6](#) [D38999/20WA98JB-LC](#) [7-22278-0](#) [7-22280-5](#) [7-240641-1](#) [7-240641-3](#) [762637-1](#)
[808714-1](#) [8-1633117-3](#) [91362-1](#) [995-0001-187](#) [999-50-020083](#)