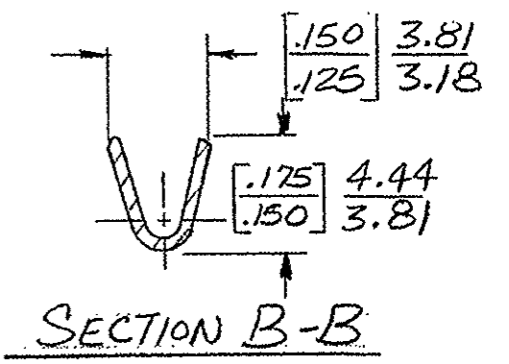
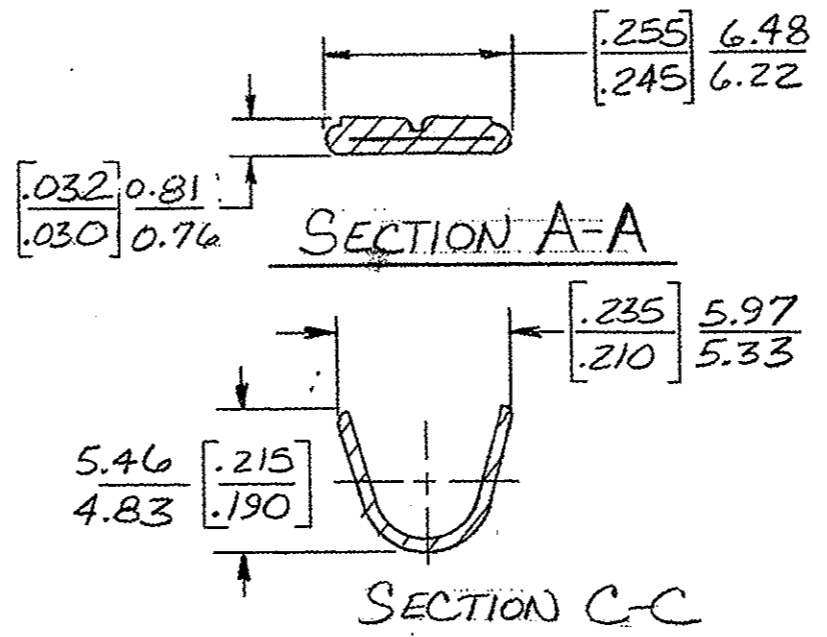
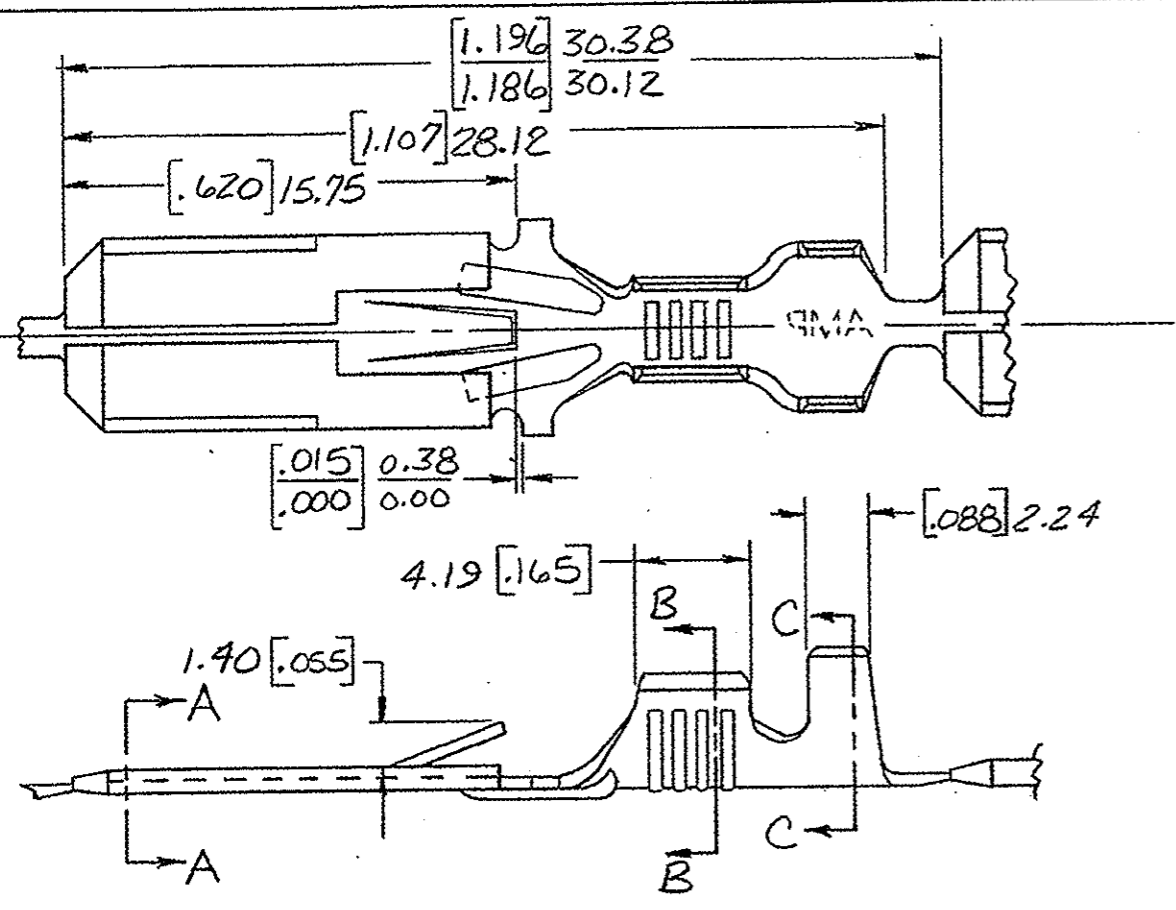


		1		LOC AF	DIST 30
REVISIONS					
P	F	ZONE	LTR	DESCRIPTION	DATE APPROVED
		DG2		REVISED PER ECO-11-005140	01APR11 HMR



3	4	TIN	[.0150] 0.38 BRASS	[.120-.160] 3.05-4.06	18-14] 0.8-2mm ²	42098-8
3	5	OBSOLETE	TIN	[.0150] 0.38 PHOS. BRZ.	[.120-.160] 3.05-4.06	18-14] 0.8-2mm ² 42098-7
3	5	OBSOLETE	PRE-TIN	[.0150] 0.38 BRASS	[.120-.160] 3.05-4.06	18-14] 0.8-2mm ² 42098-6
3	5	OBSOLETE	NONE	[.0150] 0.38 PHOS. BRZ.	[.120-.160] 3.05-4.06	18-14] 0.8-2mm ² 42098-5
3	5	OBSOLETE	NICKEL	[.015] 0.38 PHOS. BRZ.	[.120-.160] 3.05-4.06	18-14] 0.8-2mm ² 42098-4
3	5	SILVER	[.0150] 0.38 BRASS	[.120-.160] 3.05-4.06	18-14] 0.8-2mm ²	42098-3
3	5	PRE-TIN	[.0150] 0.38 BRASS	[.120-.160] 3.05-4.06	18-14] 0.8-2mm ²	42098-2
3	5	NONE	[.0150] 0.38 BRASS	[.120-.160] 3.05-4.06	18-14] 0.8-2mm ²	42098-1
		FINISH	MATERIAL	INSULATION RANGE	WIRE SIZE	PART NO

- 1 - DIM'S. IN BRACKETS ARE IN INCHES.
- 2 - CONTINUOUS STRIP ON REELS.
- 3 - FOREIGN PRODUCTION ONLY
- 4 - PAPER INTERLAY BETWEEN LAYERS
- 5 - OBSOLETE PARTS: OBSOLETE CIS STREAMLINING PER D.RENAUD/D.SINISI

METRIC

UNLESS OTHERWISE SPECIFIED DIMENSIONS ARE IN INCHES. TOLERANCES ON: DECIMALS [±.015] 0.38 ANGLES	CONTRACT NO	TE Connectivity
	DR <i>NR Rector</i> 2-25-83	
MATERIAL	CHK <i>G. Yetter</i> 3-1-83	NAME 250 SERIES FASTIN-FASTON TAB
	APPR <i>J. Liberman</i> 4/22/83	
FINISH	APPR <i>S. K. Anderson</i> 4/20/83	SIZE B
	DSGN APPD	FSCM NO 00779
	OTHER APPD	DRAWING NO 42098
		SCALE <i>#</i>
		SHEET

CUSTOMER DRAWING

X-ON Electronics

Largest Supplier of Electrical and Electronic Components

Click to view similar products for [Terminals](#) category:

Click to view products by [TE Connectivity](#) manufacturer:

Other Similar products are found below :

[00-054007-01074-6](#) [00-054007-70206-1](#) [00-054007-70210-8](#) [00-054007-70217-7](#) [00-054007-70226-9](#) [00-054007-70228-3](#) [00-054007-70248-1](#) [00-054007-70256-6](#) [00-054007-70301-3](#) [00-054007-70316-7](#) [0-0320562-0](#) [00-054007-49560-4](#) [00-054007-70209-2](#) [00-054007-70225-2](#) [00-054007-70227-6](#) [00-054007-70231-3](#) [00-054007-70241-2](#) [00-054007-70242-9](#) [00-054007-70244-3](#) [00-054007-70246-7](#) [00-054007-70263-4](#) [00-054007-70288-7](#) [00-054007-70290-0](#) [00-054007-70300-6](#) [00-054007-70304-4](#) [01-2065-1-0216](#) [01-2900-1-04412](#) [00581P0075](#) [600TS-10](#) [60205-1](#) [604200-1](#) [605601-1](#) [60598-1-CUT-TAPE](#) [61314-6-C](#) [61810-3](#) [61-S](#) [61-SN](#) [626-0194](#) [62-NBM-A](#) [62-SN](#) [62-SP](#) [63-S](#) [640179-1](#) [M55155/059I03](#) [M55155/079C01](#) [M55155/099H02](#) [M55155/109H01](#) [M55155/109H02](#) [M55155/12XH05](#) [M55155/16XH02](#)