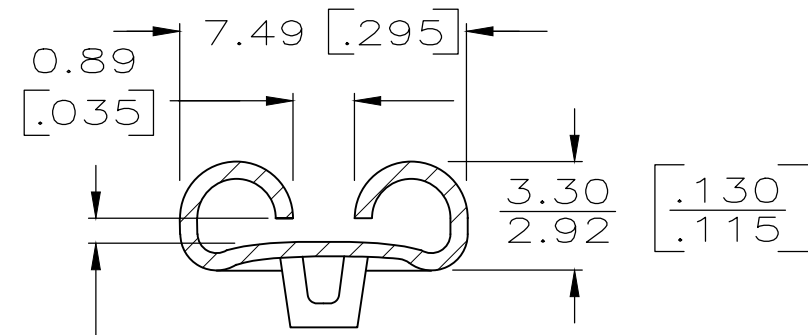
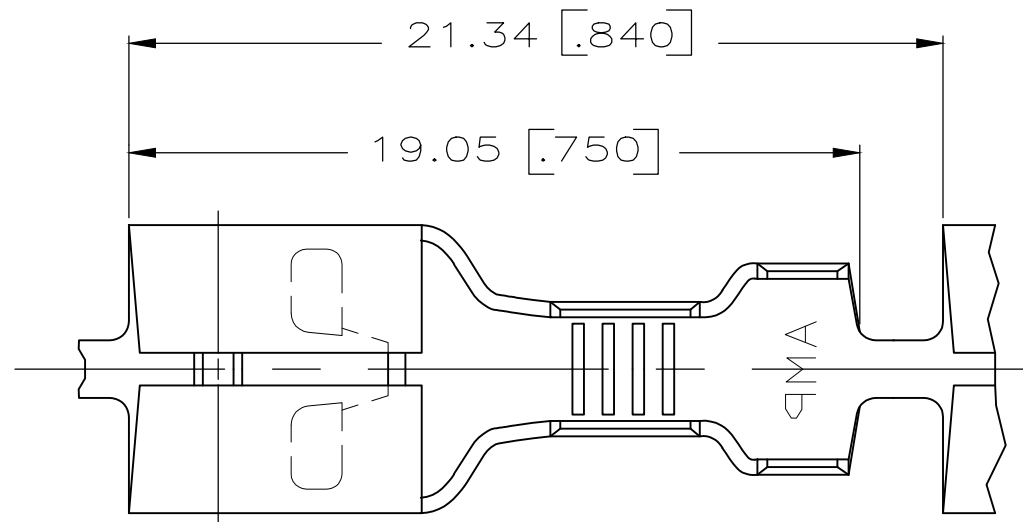


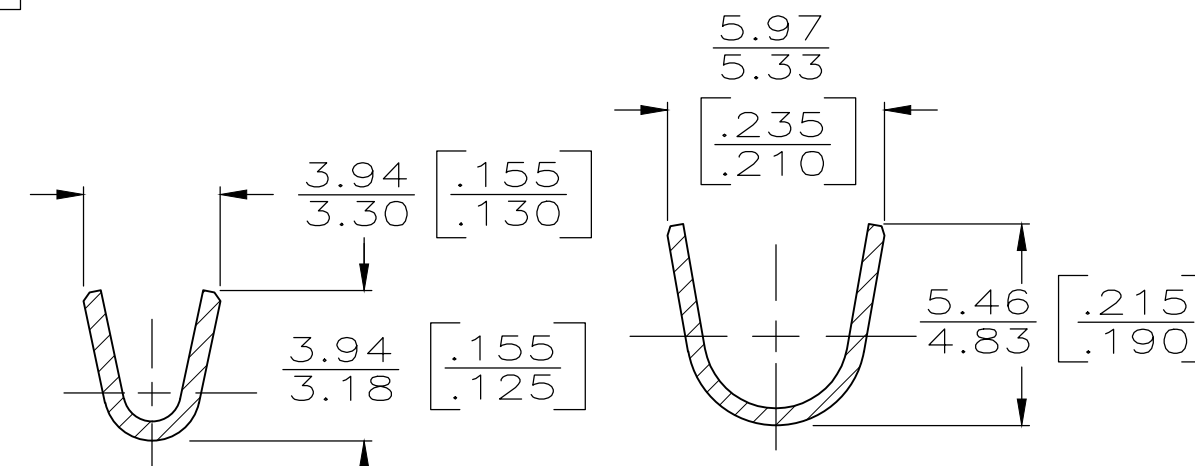
THIS DRAWING IS UNPUBLISHED. RELEASED FOR PUBLICATION
 © COPYRIGHT - By - ALL RIGHTS RESERVED.

REVISIONS					
P	LTR	DESCRIPTION	DATE	DWN	APVD
AP2		REVISED PER ECR-20-005366	21APR2020	SS	DL



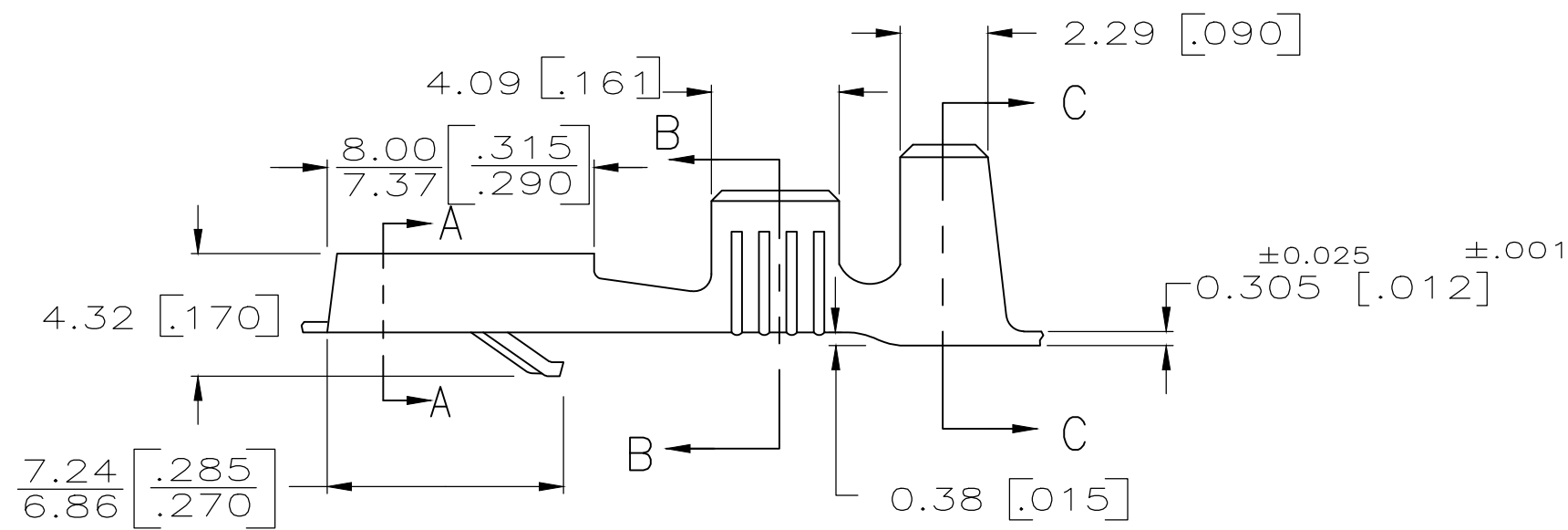
FITS 6.35 [.250] SERIES FASTON TAB

SECTION A-A



SECTION B-B

SECTION C-C



- 1 DIMENSIONS IN BRACKETS ARE IN INCHES.
- 2 CONTINUOUS STRIP ON REELS.
- 3 FOR FOREIGN PRODUCTION ONLY.
- 4 NO RIB IN LOCKING LANCE.
- 5 NO STRESS RELIEVING
- 6 REELED WITH INTERLEAVING PAPER
- 8 OBSOLETE PARTS: OBSOLETE CIS STREAMLINING PER D.RENAUD/D.SINISI
- 9 SAME AS 42100-9 BUT REVERSE REELED.

FINISH	MATERIAL	INSULATION RANGE	WIRE SIZE	TAB THK	PART NO	
TIN	BRASS	2.54 - 4.32 [.100 - .170]	0.8 - 2.0 mm ² [18 - 14]	±0.025 0.81 [.032 ±.001]	1-42100-9	
TIN	BRASS				42100-9	
TIN	BRASS				2-42100-2	
TIN	BRASS				2-42100-4	
TIN	BRASS				1-42100-2	
TIN	BRASS				1-42100-1	
SILVER	BRASS				42100-3	
TIN	BRASS				42100-2	
BRASS	BRASS	42100-1				
LOOSE PIECE	FINISH	MATERIAL	INSULATION RANGE	WIRE SIZE	TAB THK	PART NO

THIS DRAWING IS A CONTROLLED DOCUMENT.		DWN	JR RUTH	2/5/88	TE TE Connectivity
DIMENSIONS: INCHES		CHK	MS FEHER	2/5/88	
TOLERANCES UNLESS OTHERWISE SPECIFIED:		APVD	C MEYERS	2/8/88	
0 PLC ± - 1 PLC ± - 2 PLC ± - 3 PLC ± 0.25 [.010] 4 PLC ± - ANGLES ± -		PRODUCT SPEC	NAME		
MATERIAL	SEE ABOVE	FINISH	SEE ABOVE	WEIGHT	0.000000
CUSTOMER DRAWING		SCALE	5:1	SHEET	1 OF 1
		REV	AP2	RESTRICTED TO	

X-ON Electronics

Largest Supplier of Electrical and Electronic Components

Click to view similar products for [Terminals](#) category:

Click to view products by [TE Connectivity](#) manufacturer:

Other Similar products are found below :

[00-054007-01074-6](#) [00-054007-70206-1](#) [00-054007-70210-8](#) [00-054007-70217-7](#) [00-054007-70226-9](#) [00-054007-70228-3](#) [00-054007-70248-1](#) [00-054007-70256-6](#) [00-054007-70301-3](#) [00-054007-70316-7](#) [0-0320562-0](#) [00-054007-49560-4](#) [00-054007-70209-2](#) [00-054007-70225-2](#) [00-054007-70227-6](#) [00-054007-70231-3](#) [00-054007-70241-2](#) [00-054007-70242-9](#) [00-054007-70244-3](#) [00-054007-70246-7](#) [00-054007-70263-4](#) [00-054007-70288-7](#) [00-054007-70290-0](#) [00-054007-70300-6](#) [00-054007-70304-4](#) [01-2065-1-0216](#) [01-2900-1-04412](#) [00581P0075](#) [600TS-10](#) [60205-1](#) [604200-1](#) [605601-1](#) [60598-1-CUT-TAPE](#) [61314-6-C](#) [61810-3](#) [61-S](#) [61-SN](#) [626-0194](#) [62-NBM-A](#) [62-SN](#) [62-SP](#) [63-S](#) [640179-1](#) [M55155/059I03](#) [M55155/079C01](#) [M55155/099H02](#) [M55155/109H01](#) [M55155/109H02](#) [M55155/12XH05](#) [M55155/16XH02](#)