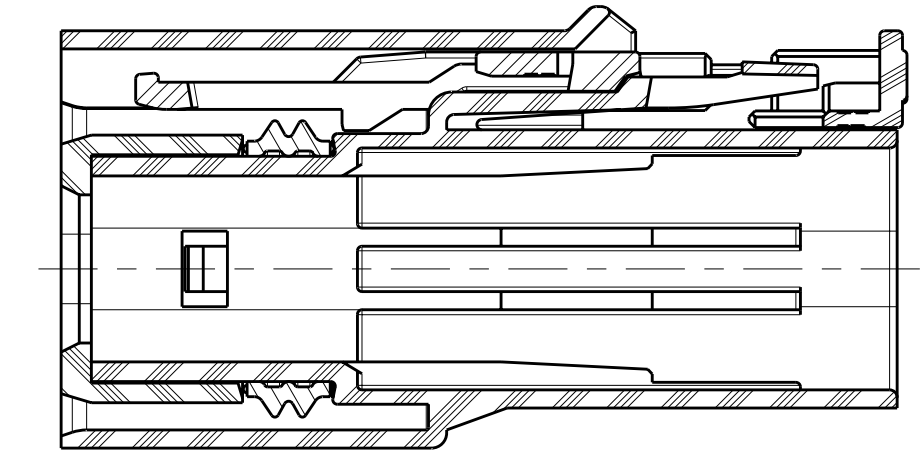
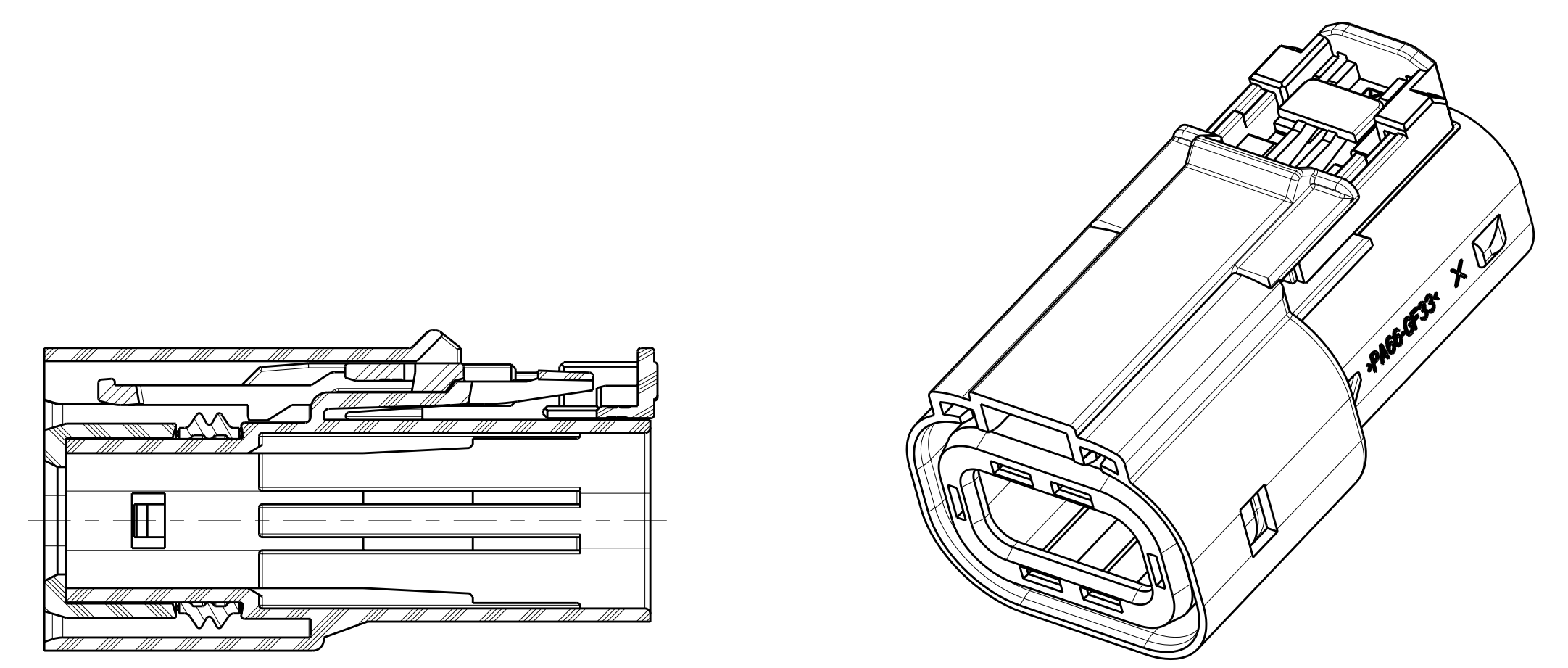
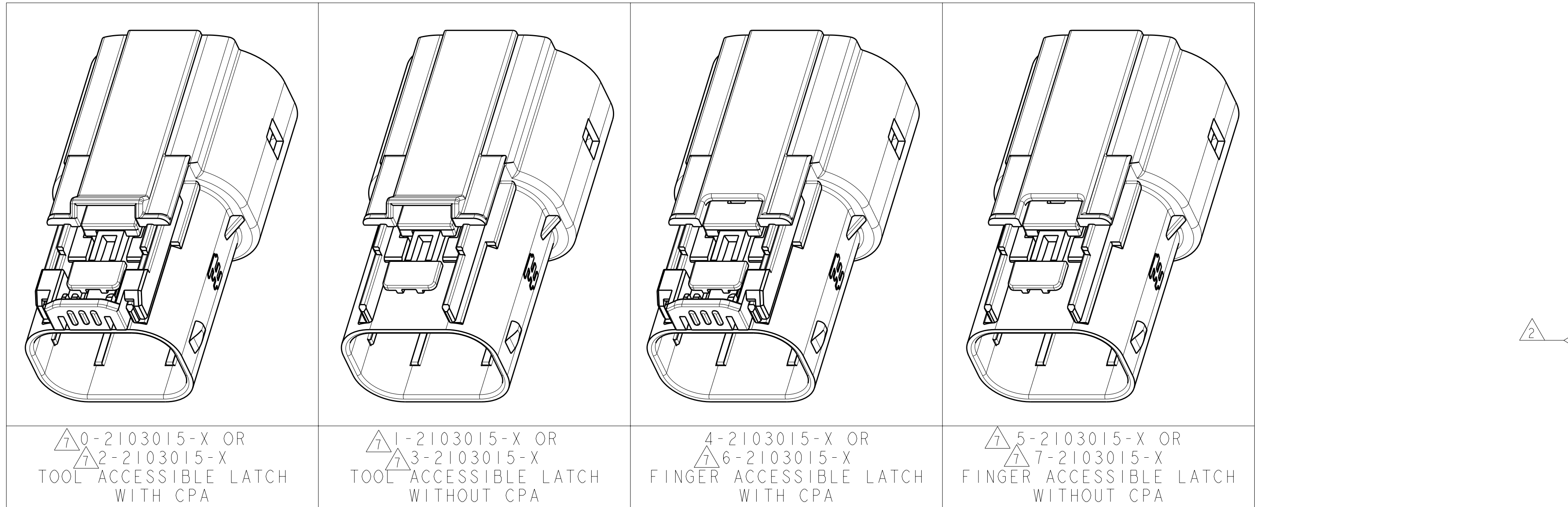
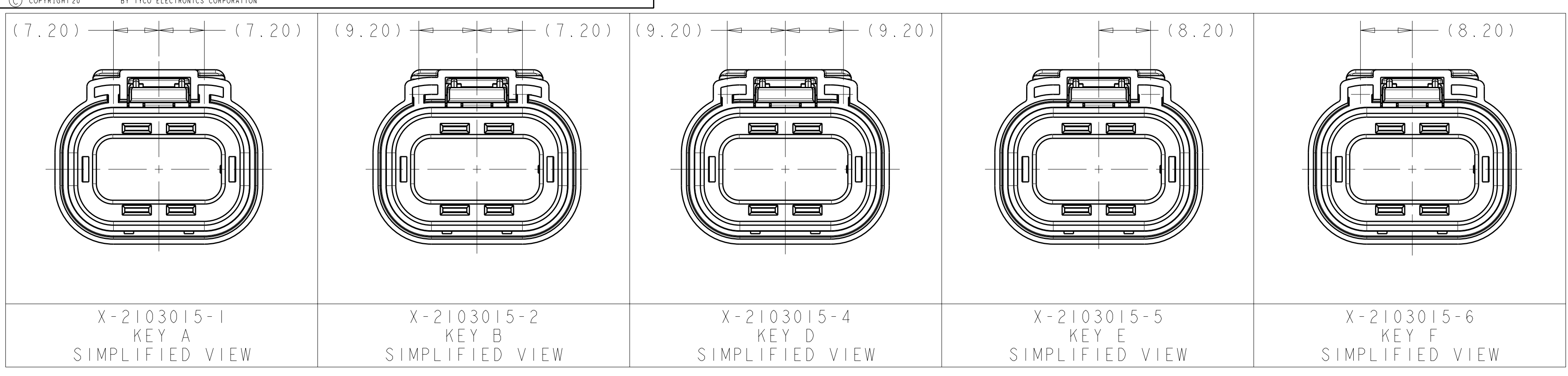
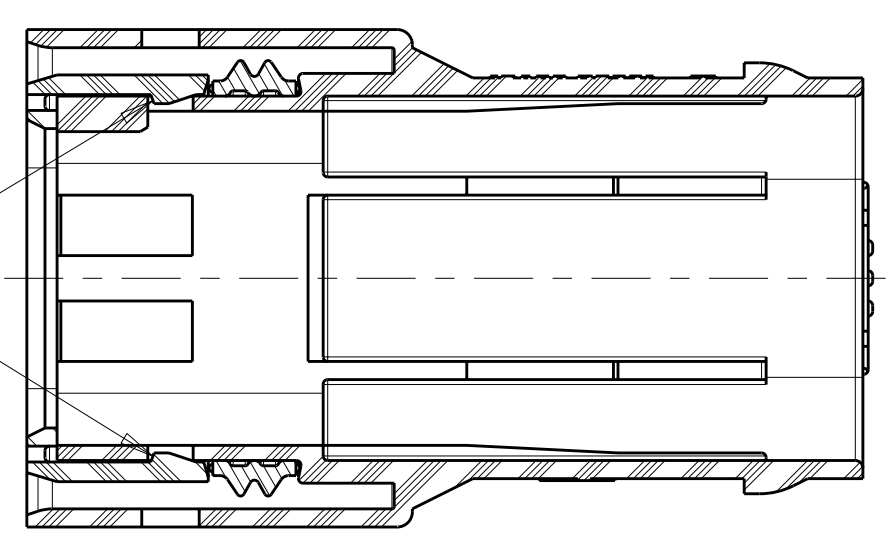


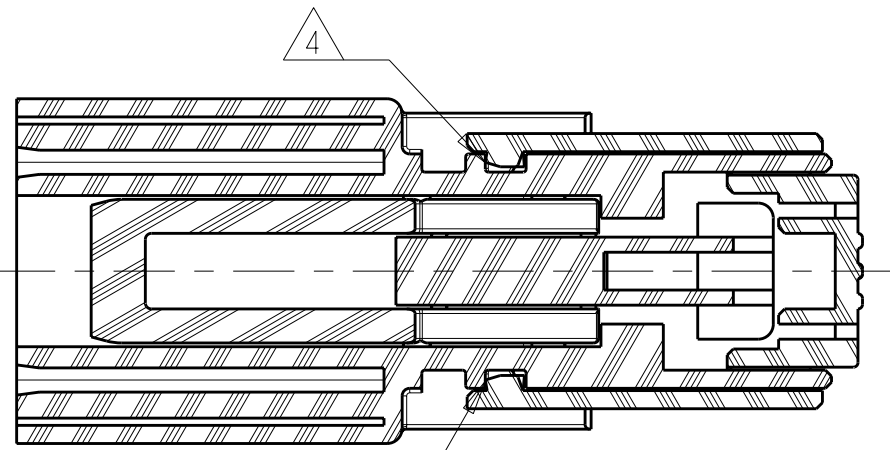
LOC	DIST	REV	DESCRIPTION	DATE	OWN	APVD
HV	00	A	ECO-11-024207	02DEC2011	DR	DR



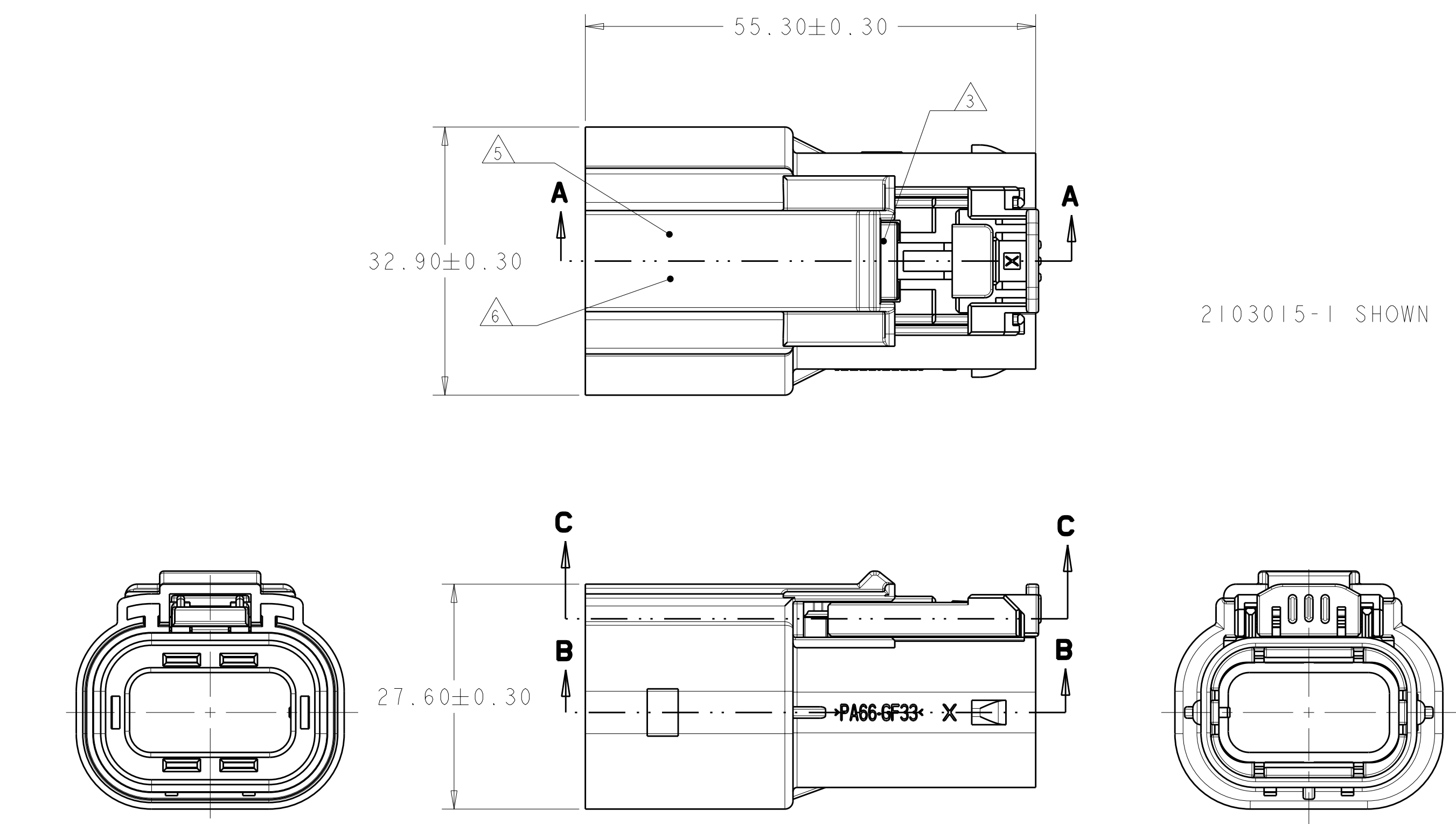
SECTION A-A



SECTION B-B



SECTION C-C



2103015-1 SHOWN

1. CONNECTOR MUST BE FREE OF ANY MECHANICAL DEFECTS WHICH COULD NEGATIVELY AFFECT FIT, FUNCTION, OR PERFORMANCE
2. PERIPHERAL SEAL RETAINER MUST BE FULLY LOCKED IN TWO LOCATIONS INTO OUTER HOUSING
3. FLOATING LATCH MUST INSTALLED AS SHOWN
4. ON APPLICABLE ASSEMBLIES CPA MUST INSTALLED IN PRE-STAGE POSITION AS SHOWN
5. JULIAN DATE CODE IN THIS LOCATION AT ASSEMBLY
6. TE PART NUMBER IN THIS LOCATION AT ASSEMBLY
7. PRELIMINARY PART—NOT RELEASED FOR PRODUCTION

DESCRIPTION	INDEX CODE	REV	PART NO
PLUG SUB-ASSEMBLY, HVA280-2PHM, FINGER ACCESSIBLE, WITHOUT CPA, >FVMQ< SEAL	F	4	7-2103015-6
	E	4	7-2103015-5
	D	4	7-2103015-4
	B	4	7-2103015-2
	A	4	7-2103015-1
PLUG SUB-ASSEMBLY, HVA280-2PHM, FINGER ACCESSIBLE, WITH CPA, >FVMQ< SEAL	F	4	6-2103015-6
	E	4	6-2103015-5
	D	4	6-2103015-4
	B	4	6-2103015-2
	A	4	6-2103015-1
PLUG SUB-ASSEMBLY, HVA280-2PHM, FINGER ACCESSIBLE, WITHOUT CPA, >VMQ< SEAL	F	4	5-2103015-6
	E	4	5-2103015-5
	D	4	5-2103015-4
	B	4	5-2103015-2
	A	4	5-2103015-1
PLUG SUB-ASSEMBLY, HVA280-2PHM, FINGER ACCESSIBLE, WITH CPA, >VMQ< SEAL	F	A	4-2103015-6
	E	A	4-2103015-5
	D	A	4-2103015-4
	B	A	4-2103015-2
	A	A	4-2103015-1
PLUG SUB-ASSEMBLY, HVA280-2PHM, TOOL ACCESSIBLE, WITHOUT CPA, >FVMQ< SEAL	F	4	3-2103015-6
	E	4	3-2103015-5
	D	4	3-2103015-4
	B	4	3-2103015-2
	A	4	3-2103015-1
PLUG SUB-ASSEMBLY, HVA280-2PHM, TOOL ACCESSIBLE, WITH CPA, >FVMQ< SEAL	F	4	2-2103015-6
	E	4	2-2103015-5
	D	4	2-2103015-4
	B	4	2-2103015-2
	A	4	2-2103015-1
PLUG SUB-ASSEMBLY, HVA280-2PHM, TOOL ACCESSIBLE, WITHOUT CPA, >VMQ< SEAL	F	4	1-2103015-6
	E	4	1-2103015-5
	D	4	1-2103015-4
	B	4	1-2103015-2
	A	4	1-2103015-1
PLUG SUB-ASSEMBLY, HVA280-2PHM, TOOL ACCESSIBLE, WITH CPA, >VMQ< SEAL	F	4	2103015-6
	E	4	2103015-5
	D	4	2103015-4
	B	4	2103015-2
	A	4	2103015-1

THIS DRAWING IS A CONTROLLED DOCUMENT.		DWN: D. RHEIN 22MAR2011		TE Connectivity	
DIMENSIONS: mm		CHK: D. RHEIN 22MAR2011		PLUG SUB-ASSEMBLY, HVA280-2PHM	
TOLERANCES UNLESS OTHERWISE SPECIFIED:		APVD: J. ROEWITZ 22MAR2011		SIZE: CAGE CODE: DRAWING NO: A100779C-2103015	
9 PLC ±0.2		PRODUCT SPEC:		RESTRICTED TO:	
1 PLC ±0.10		APPLICATION SPEC:		SCALE: 2:1 SHEET 1 OF 1 REV A	
5 PLC ±		WEIGHT: 15.7 g		CUSTOMER DRAWING	
4 PLC ±		FINISH:			
ANGLES ±					

## X-ON Electronics

Largest Supplier of Electrical and Electronic Components

*Click to view similar products for [Automotive Connectors](#) category:*

*Click to view products by [TE Connectivity](#) manufacturer:*

Other Similar products are found below :

[003-018-000](#) [60403001](#) [60993906-B](#) [M902-2131](#) [M902-2161](#) [M902-2344](#) [72.330.1035.1](#) [73.353.4028.0](#) [F119300-B](#) [F166900](#) [F258300-B](#)  
[F358300-B](#) [F407400](#) [F444110](#) [F487000](#) [F509500B-B](#) [827153-1](#) [8N1515-32-24P](#) [9-1326729-8](#) [925474-1](#) [928905-1](#) [964562-4](#) [968782-1](#)  
[GT17SA-8DS-HU](#) [98891-1012](#) [98947-1016](#) [12004147](#) [12004475-L](#) [12010290](#) [12015454](#) [12020219-B](#) [12041318-B](#) [12052225-L](#) [12052466](#)  
[12064869](#) [12004327-B](#) [12015308](#) [12015384](#) [12015909](#) [1-21030-1](#) [12041254](#) [12041318](#) [12047946-B](#) [12047957](#) [12047957-L](#) [12059473](#)  
[12066261](#) [12110546](#) [12110546-B](#) [12131792](#)