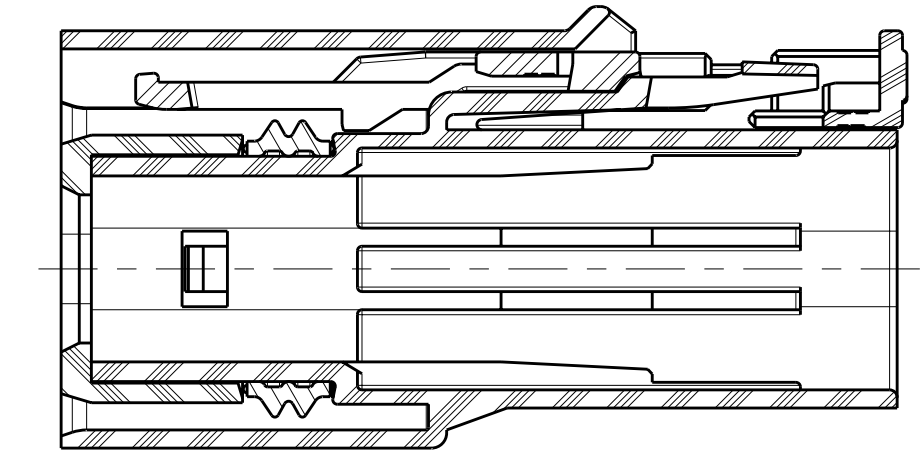
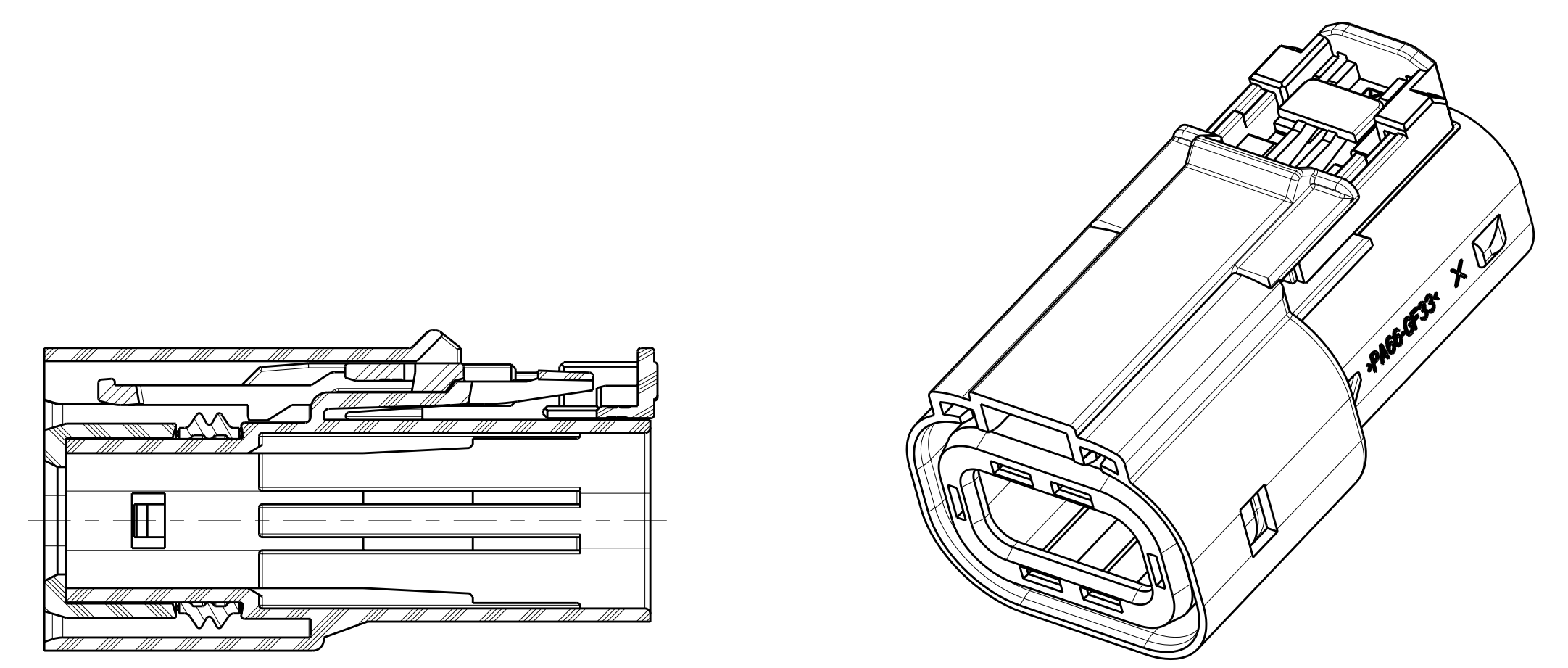
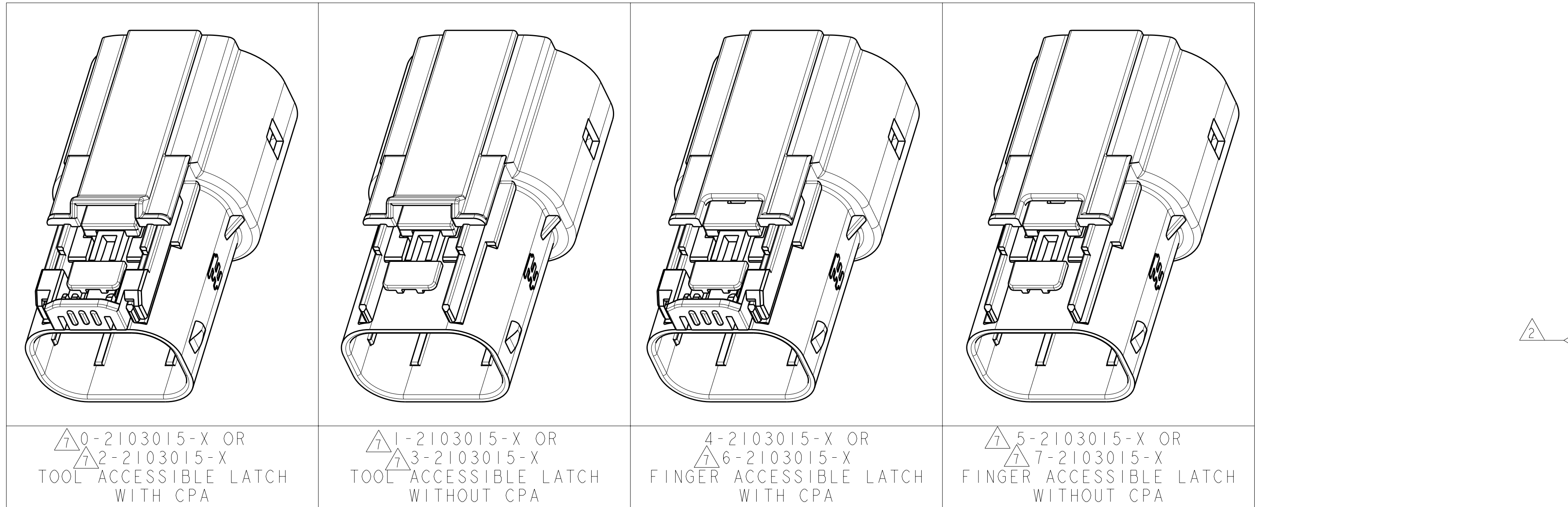
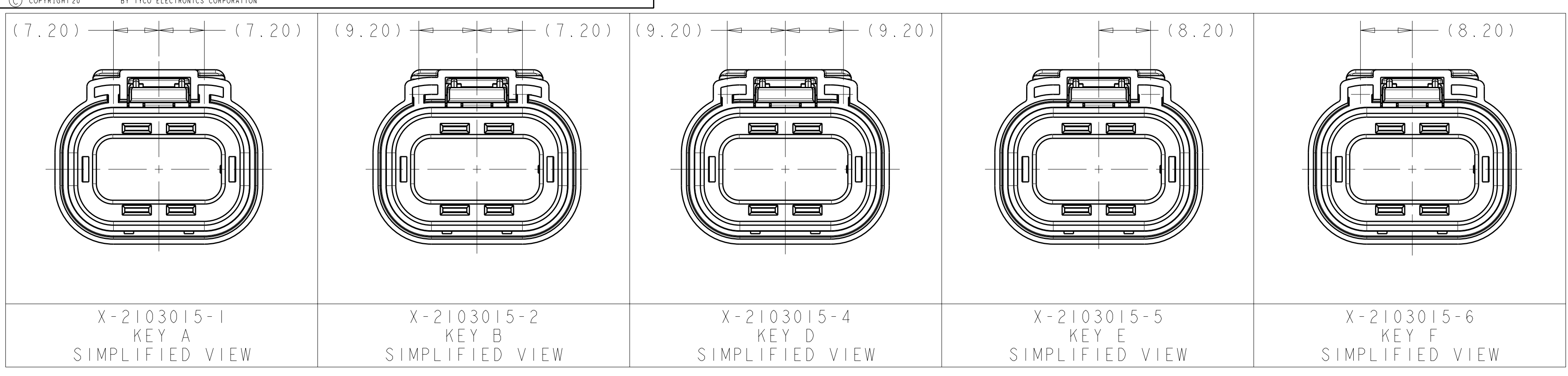
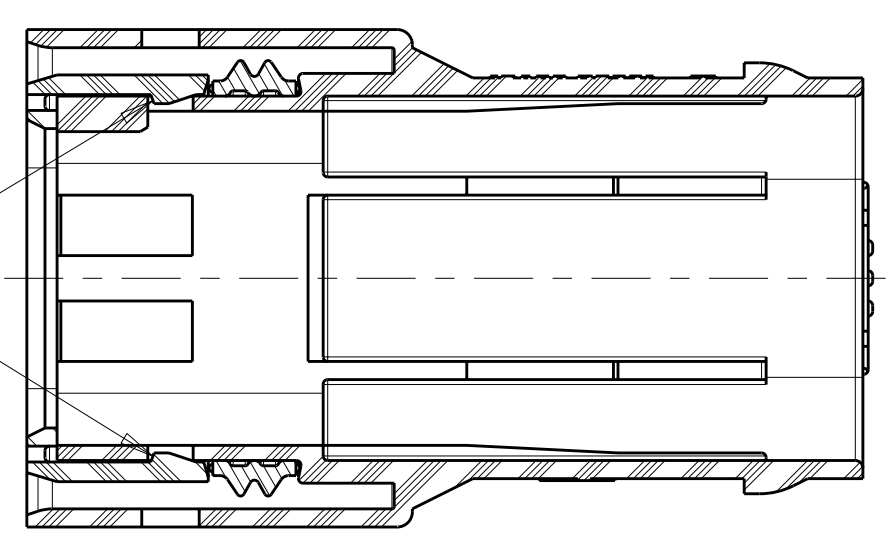


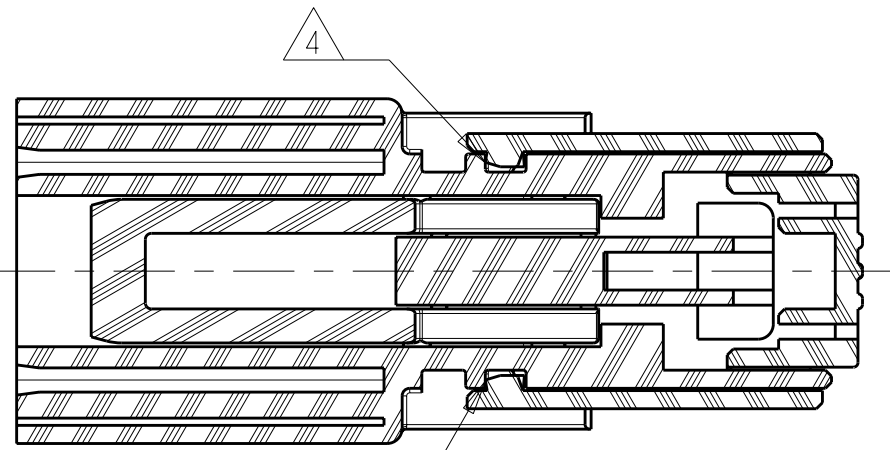
LOC	DIST	REV	DESCRIPTION	DATE	OWN	APVD
HV	00	A	ECO-11-024207	02DEC2011	DR	DR



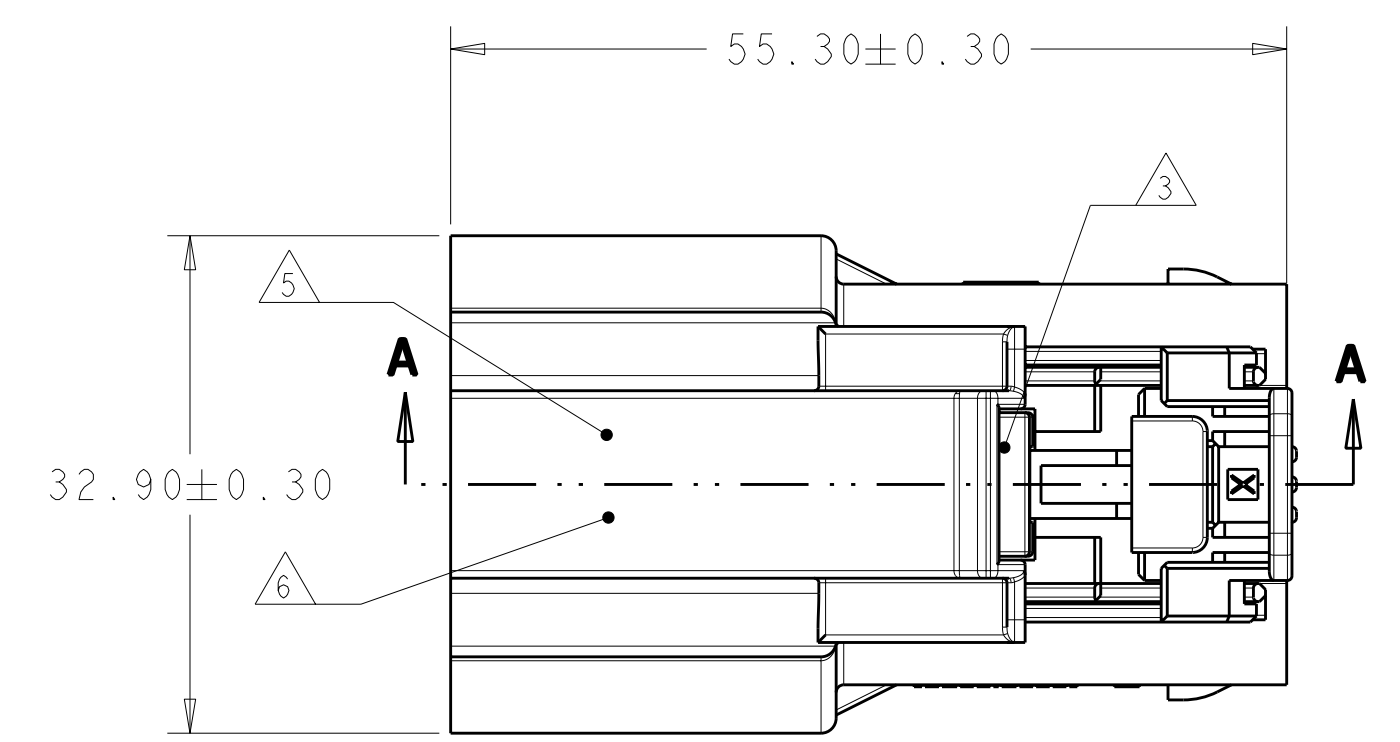
SECTION A-A



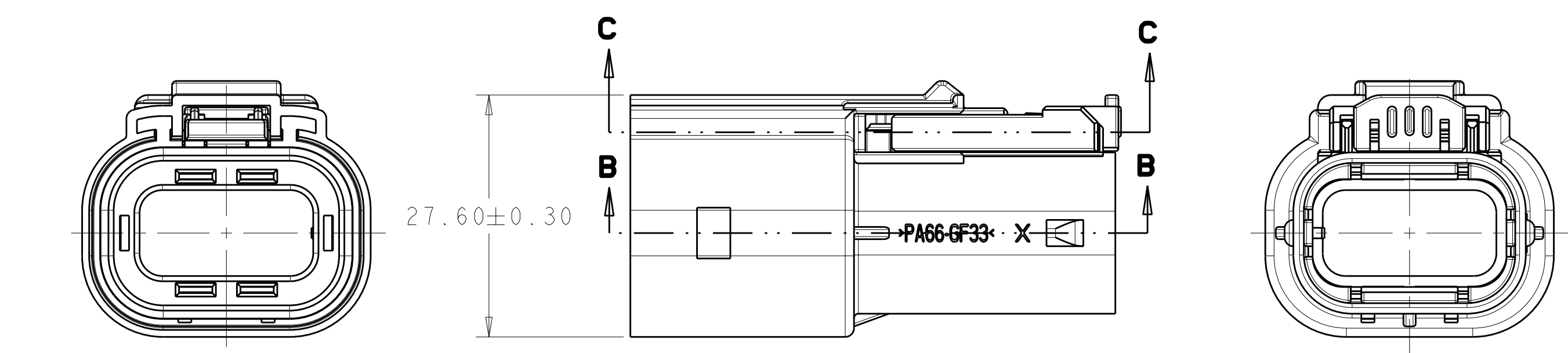
SECTION B-B



SECTION C-C



2103015-1 SHOWN



- CONNECTOR MUST BE FREE OF ANY MECHANICAL DEFECTS WHICH COULD NEGATIVELY AFFECT FIT, FUNCTION, OR PERFORMANCE
- PERIPHERAL SEAL RETAINER MUST BE FULLY LOCKED IN TWO LOCATIONS INTO OUTER HOUSING
- FLOATING LATCH MUST INSTALLED AS SHOWN
- ON APPLICABLE ASSEMBLIES CPA MUST INSTALLED IN PRE-STAGE POSITION AS SHOWN
- JULIAN DATE CODE IN THIS LOCATION AT ASSEMBLY
- TE PART NUMBER IN THIS LOCATION AT ASSEMBLY
- PRELIMINARY PART—NOT RELEASED FOR PRODUCTION

DESCRIPTION	INDEX CODE	REV	PART NO
PLUG SUB-ASSEMBLY, HVA280-2PHM, FINGER ACCESSIBLE, WITHOUT CPA, >FVMQ< SEAL	F	4	7-2103015-6
	E	4	7-2103015-5
	D	4	7-2103015-4
	B	4	7-2103015-2
	A	4	7-2103015-1
PLUG SUB-ASSEMBLY, HVA280-2PHM, FINGER ACCESSIBLE, WITH CPA, >FVMQ< SEAL	F	4	6-2103015-6
	E	4	6-2103015-5
	D	4	6-2103015-4
	B	4	6-2103015-2
	A	4	6-2103015-1
PLUG SUB-ASSEMBLY, HVA280-2PHM, FINGER ACCESSIBLE, WITHOUT CPA, >VMQ< SEAL	F	4	5-2103015-6
	E	4	5-2103015-5
	D	4	5-2103015-4
	B	4	5-2103015-2
	A	4	5-2103015-1
PLUG SUB-ASSEMBLY, HVA280-2PHM, FINGER ACCESSIBLE, WITH CPA, >VMQ< SEAL	F	A	4-2103015-6
	E	A	4-2103015-5
	D	A	4-2103015-4
	B	A	4-2103015-2
	A	A	4-2103015-1
PLUG SUB-ASSEMBLY, HVA280-2PHM, TOOL ACCESSIBLE, WITHOUT CPA, >FVMQ< SEAL	F	4	3-2103015-6
	E	4	3-2103015-5
	D	4	3-2103015-4
	B	4	3-2103015-2
	A	4	3-2103015-1
PLUG SUB-ASSEMBLY, HVA280-2PHM, TOOL ACCESSIBLE, WITH CPA, >FVMQ< SEAL	F	4	2-2103015-6
	E	4	2-2103015-5
	D	4	2-2103015-4
	B	4	2-2103015-2
	A	4	2-2103015-1
PLUG SUB-ASSEMBLY, HVA280-2PHM, TOOL ACCESSIBLE, WITHOUT CPA, >VMQ< SEAL	F	4	1-2103015-6
	E	4	1-2103015-5
	D	4	1-2103015-4
	B	4	1-2103015-2
	A	4	1-2103015-1
PLUG SUB-ASSEMBLY, HVA280-2PHM, TOOL ACCESSIBLE, WITH CPA, >VMQ< SEAL	F	4	2103015-6
	E	4	2103015-5
	D	4	2103015-4
	B	4	2103015-2
	A	4	2103015-1

THIS DRAWING IS A CONTROLLED DOCUMENT.

DIMENSIONS:	TOLERANCES UNLESS OTHERWISE SPECIFIED:	OWN	22MAR2011
mm	0 PLC ±0.2	CHK	D. RHEIN 22MAR2011
	1 PLC ±0.10	APVD	J. ROEWITZ 22MAR2011
	2 PLC ±	NAME	
	3 PLC ±	PRODUCT SPEC	
	4 PLC ±	APPLICATION SPEC	
	ANGLES ±	WEIGHT	15.7 g
	FINISH	CUSTOMER DRAWING	

TE Connectivity  
 PLUG SUB-ASSEMBLY, HVA280-2PHM  
 SIZE CAGE CODE DRAWING NO RESTRICTED TO  
 A100779C-2103015  
 SCALE 2:1 SHEET 1 OF 1 REV A

## X-ON Electronics

Largest Supplier of Electrical and Electronic Components

*Click to view similar products for [Automotive Connectors](#) category:*

*Click to view products by [TE Connectivity](#) manufacturer:*

Other Similar products are found below :

[003-018-000](#) [60403001](#) [60993906-B](#) [M902-2131](#) [M902-2161](#) [72.330.1035.1](#) [73.353.4028.0](#) [F119300-B](#) [F166900](#) [F258300-B](#) [F358300-B](#)  
[F407400](#) [F444110](#) [F487000](#) [F509500B-B](#) [827153-1](#) [8N1515-32-24P](#) [9-1326729-8](#) [925474-1](#) [928905-1](#) [964562-4](#) [968782-1](#) [GT17SA-8DS-](#)  
[HU](#) [98891-1012](#) [98947-1016](#) [12004147](#) [12004475-L](#) [12010290](#) [12010309-B](#) [12015454](#) [12020219-B](#) [12020308](#) [12041318-B](#) [12052225-L](#)  
[12052466](#) [12059125](#) [12064869](#) [12004327-B](#) [12010503-B](#) [12015308](#) [12015384](#) [12015909](#) [1-21030-1](#) [12041254](#) [12041318](#) [12047946-B](#)  
[12047957](#) [12047957-L](#) [12059473](#) [12066261](#)