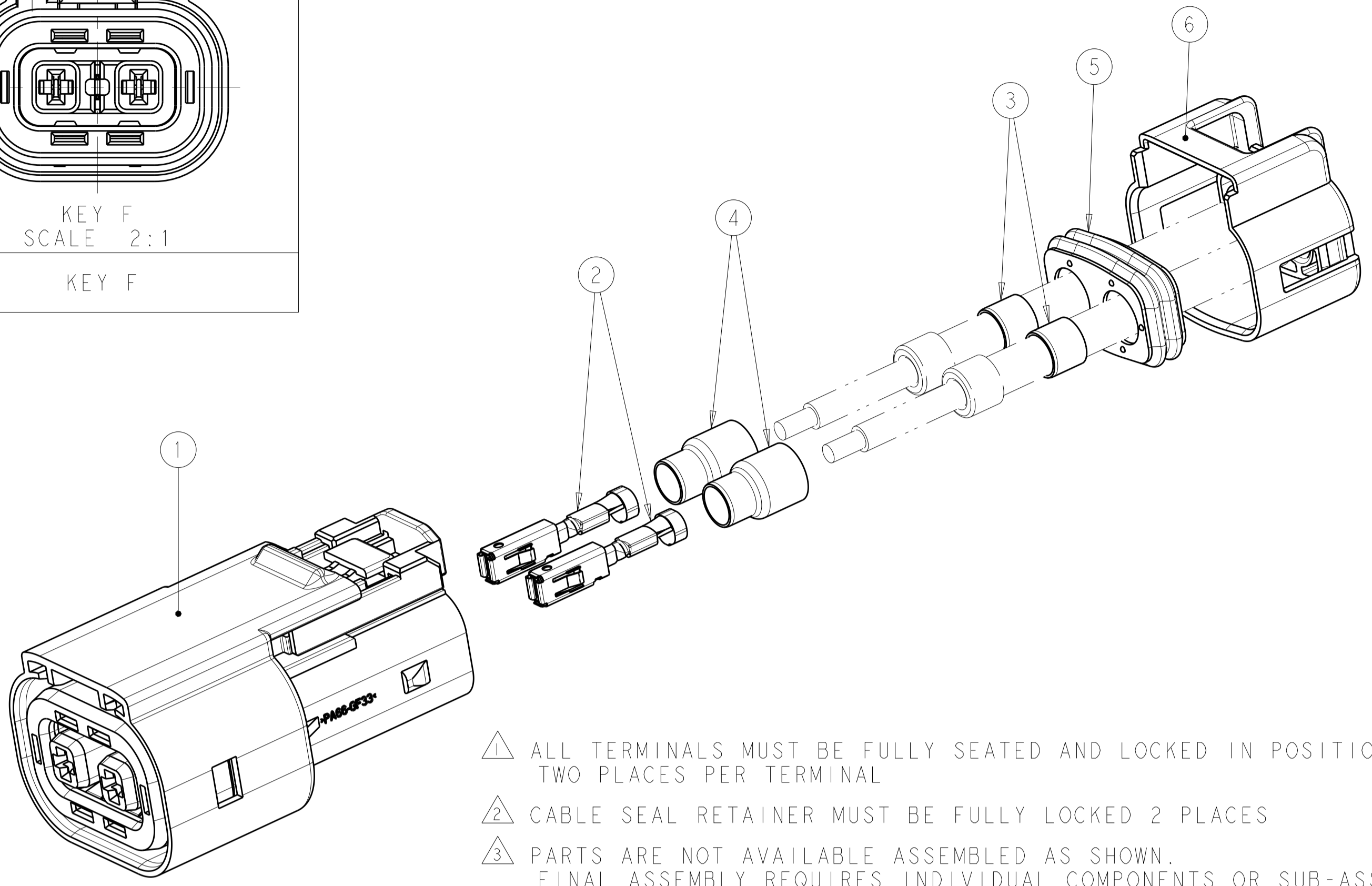
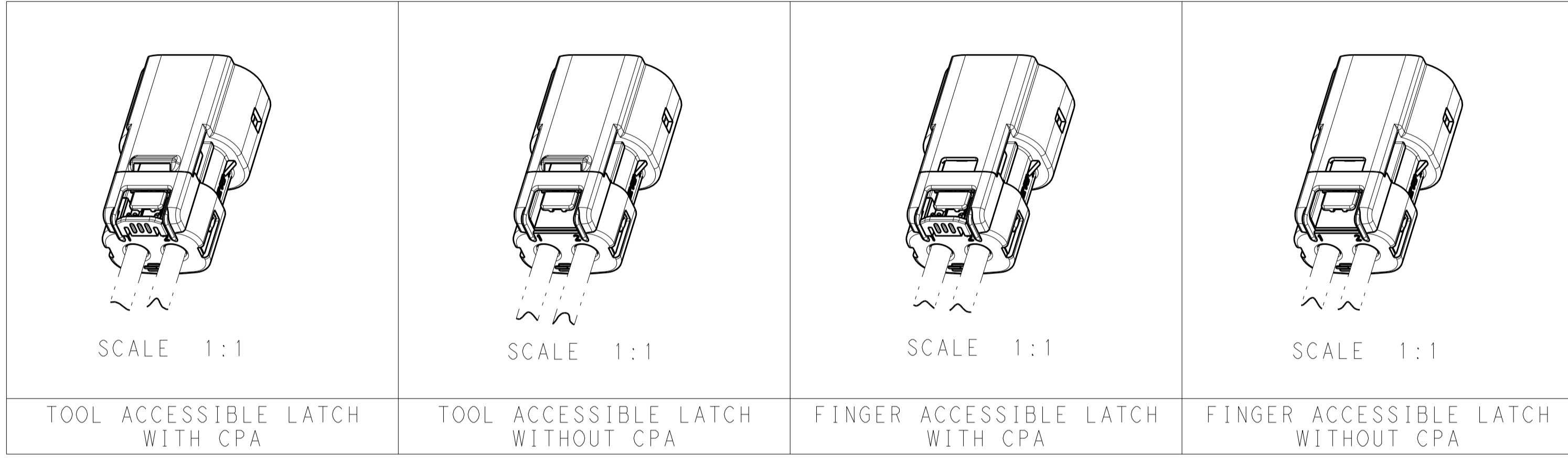
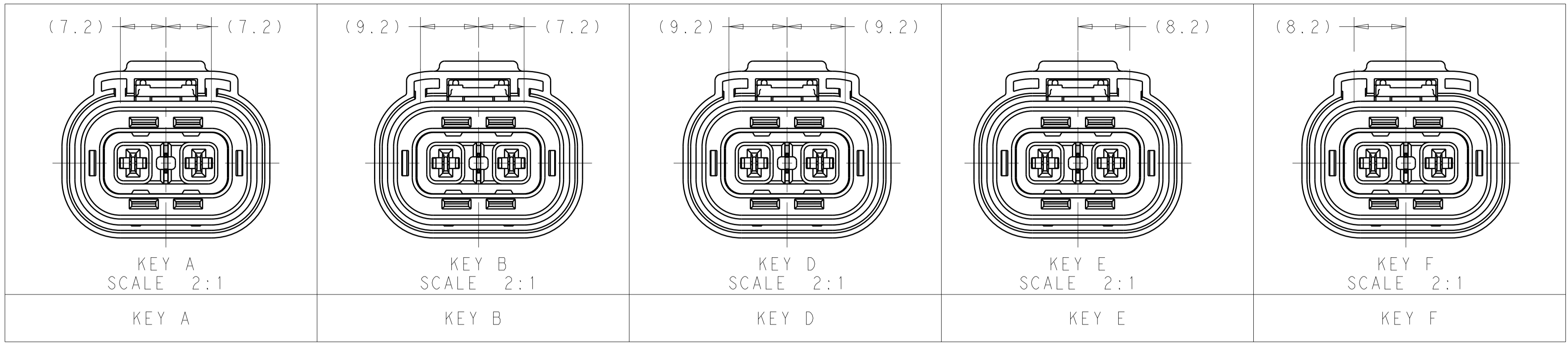
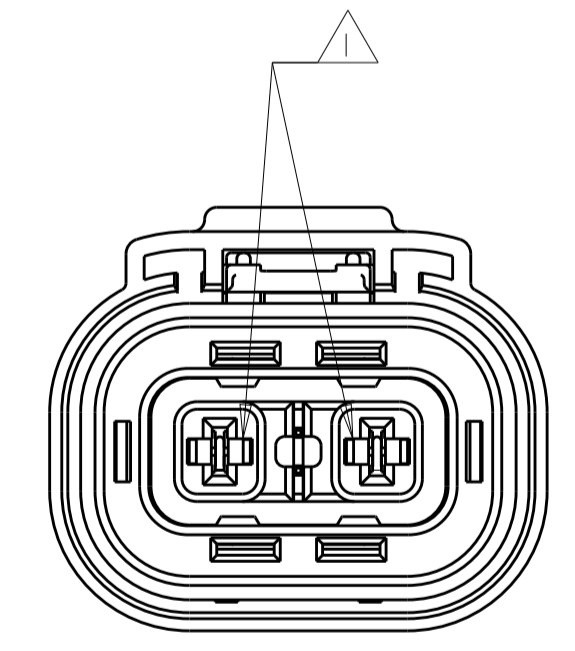
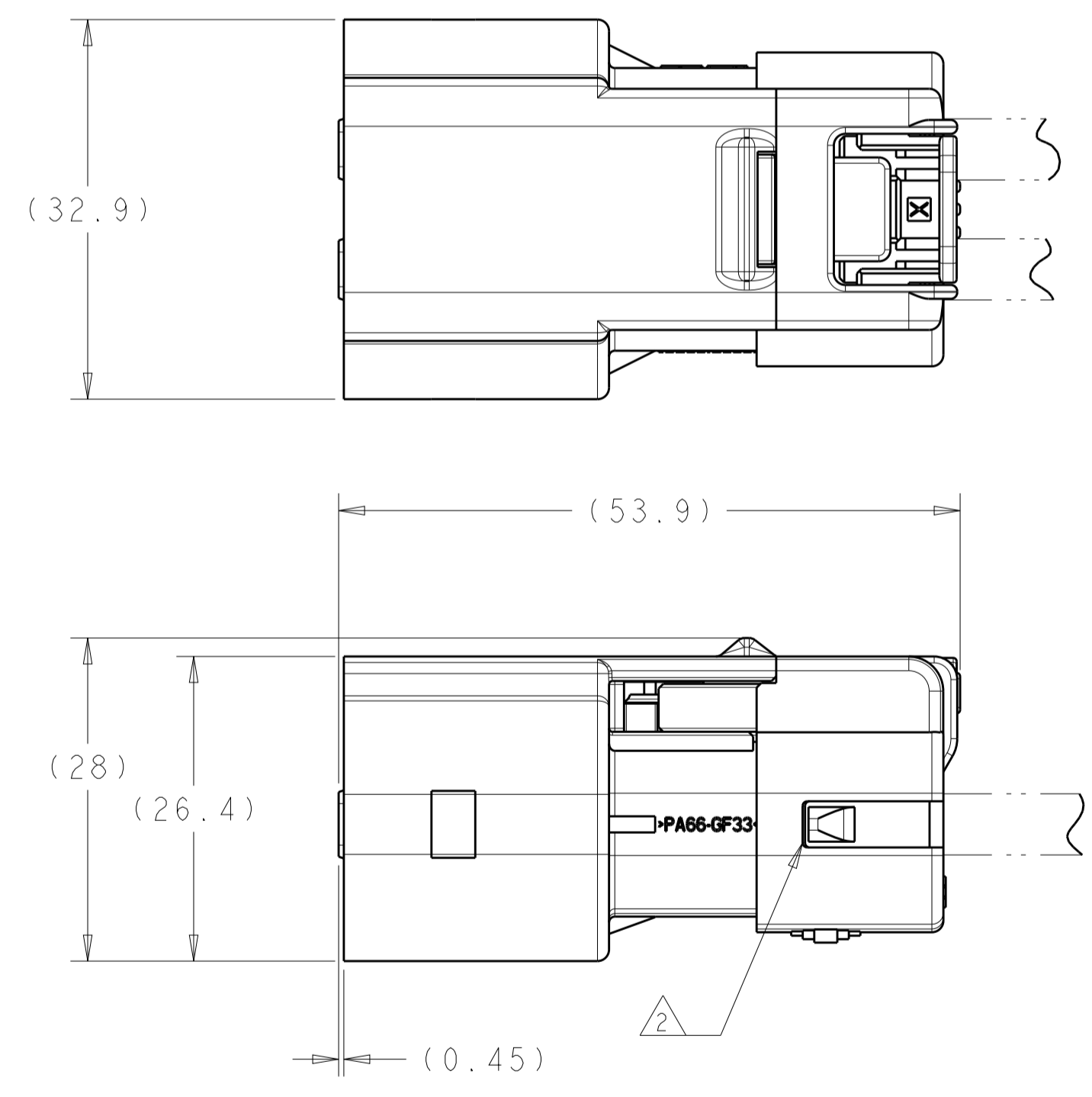


| REVISIONS | | | | |
|-----------|-----|-----------------|-----------|--------|
| P. | LTN | DESCRIPTION | DATE | APVD |
| A | | INITIAL RELEASE | 22JAN2019 | JMS AG |



- ⚠️ 1 ALL TERMINALS MUST BE FULLY SEATED AND LOCKED IN POSITION TWO PLACES PER TERMINAL
- ⚠️ 2 CABLE SEAL RETAINER MUST BE FULLY LOCKED 2 PLACES
- ⚠️ 3 PARTS ARE NOT AVAILABLE ASSEMBLED AS SHOWN. FINAL ASSEMBLY REQUIRES INDIVIDUAL COMPONENTS OR SUB-ASSEMBLIES LISTED IN THE PARTS LIST AND AVAILABLE SEPARATELY FROM TE. CONSULT INDIVIDUAL CUSTOMER DRAWINGS FOR PART RELEASE STATUS.
- ⚠️ 4 THESE COMPONENTS HAVE OPTIONAL PART NUMBERS FOR DIFFERENT USE, WITH/WITHOUT CPA AND TOOL ACCESSIBLE/FINGER ACCESSIBLE LATCHING. CONTACT TYCO ELECTRONICS ENGINEERING FOR APPLICATION SPECIFIC PART NUMBERS.
- ⚠️ 5 NOTE DELETED
- 6. MATES WITH HEADERS SHOWN ON THESE TYCO ELECTRONICS DRAWINGS: 2103124, 1587975, 1587831
- 7. FOR TERMINAL CRIMPING AND APPLICATOR INFORMATION, PLEASE SEE TE APPLICATION SPECIFICATION: 114-18148-1



| QTY REQ | PART NO. | CUSTOMER DRAWING | DESCRIPTION | ITEM NO | CABLE SUPPLIER/SPECIFICATION | CABLE SIZE/DESCRIPTION |
|---------|---------------|------------------|---|---------|--------------------------------|---|
| | 2103181-3 | 2103181 | SEAL RETAINER, CABLE | 6 | LEONI KABEL, GmbH 76231175A | 4.0mm ² INDIVIDUALLY SHIELDED |
| | 1587826-3 | 1587826 | SEAL, CABLE, VMO TYPE | 5 | | |
| | 1587829-3 | 1587829 | FERRULE, OUTER | 4 | HUBER+SUHNER, AG 12 582 674 | 4.0mm ² INDIVIDUALLY SHIELDED |
| | 1587828-3 | 1587828 | FERRULE, INNER | 3 | | |
| | 1-968853-3 | 1355036 | MCP 2.8 TERMINAL FEMALE, Ag, 4.0mm ² | 2 | JUDD WIRE, INC. JW1187-08 | 3.0mm ² INDIVIDUALLY SHIELDED |
| | (X-)2103177-X | 2103177 | PLUG SUBASSY | 1 | | |
| | 2103181-2 | 2103181 | SEAL RETAINER, CABLE | 6 | | |
| | 1587826-2 | 1587826 | SEAL, CABLE, VMO TYPE | 5 | | |
| | 1587829-2 | 1587829 | FERRULE, OUTER | 4 | | |
| | 1587828-2 | 1587828 | FERRULE, INNER | 3 | | |
| | 1-968853-3 | 1355036 | MCP 2.8 TERMINAL FEMALE, Ag, 4.0mm ² | 2 | | |
| | (X-)2103177-X | 2103177 | PLUG SUBASSY | 1 | | |

TOOL ACCESSIBLE LATCH WITH CPA VERSION SHOWN

THIS DRAWING IS A CONTROLLED DOCUMENT. DIMENSIONS: mm. TOLERANCES UNLESS OTHERWISE SPECIFIED: 0 PLC ±0.5, 1 PLC ±0.13, 2 PLC ±0.13, 3 PLC ±0.013, 4 PLC ±0.0001, ANGLES ±1.

APVD: J. ROLEWITZ, 23FEB2011. NAME: PLUG ASSY, HVA280-2PHI.XE REFERENCE DRAWING. SCALE: 2:1. SHEET 1 OF 1. REV A.

TE Connectivity logo and other technical specifications.

X-ON Electronics

Largest Supplier of Electrical and Electronic Components

Click to view similar products for [Automotive Connectors](#) category:

Click to view products by [TE Connectivity](#) manufacturer:

Other Similar products are found below :

[003-018-000](#) [60403001](#) [60993906-B](#) [M902-2131](#) [M902-2161](#) [72.330.1035.1](#) [73.353.4028.0](#) [F119300-B](#) [F166900](#) [F258300-B](#) [F358300-B](#)
[F407400](#) [F444110](#) [F487000](#) [F509500B-B](#) [827153-1](#) [8N1515-32-24P](#) [9-1326729-8](#) [925474-1](#) [928905-1](#) [964562-4](#) [968782-1](#) [GT17SA-8DS-](#)
[HU](#) [98891-1012](#) [98947-1016](#) [12004147](#) [12004475-L](#) [12010290](#) [12010309-B](#) [12015454](#) [12020219-B](#) [12020308](#) [12041318-B](#) [12052225-L](#)
[12052466](#) [12059125](#) [12064869](#) [12004327-B](#) [12010503-B](#) [12015308](#) [12015384](#) [12015909](#) [1-21030-1](#) [12041254](#) [12041318](#) [12047946-B](#)
[12047957](#) [12047957-L](#) [12059473](#) [12066261](#)