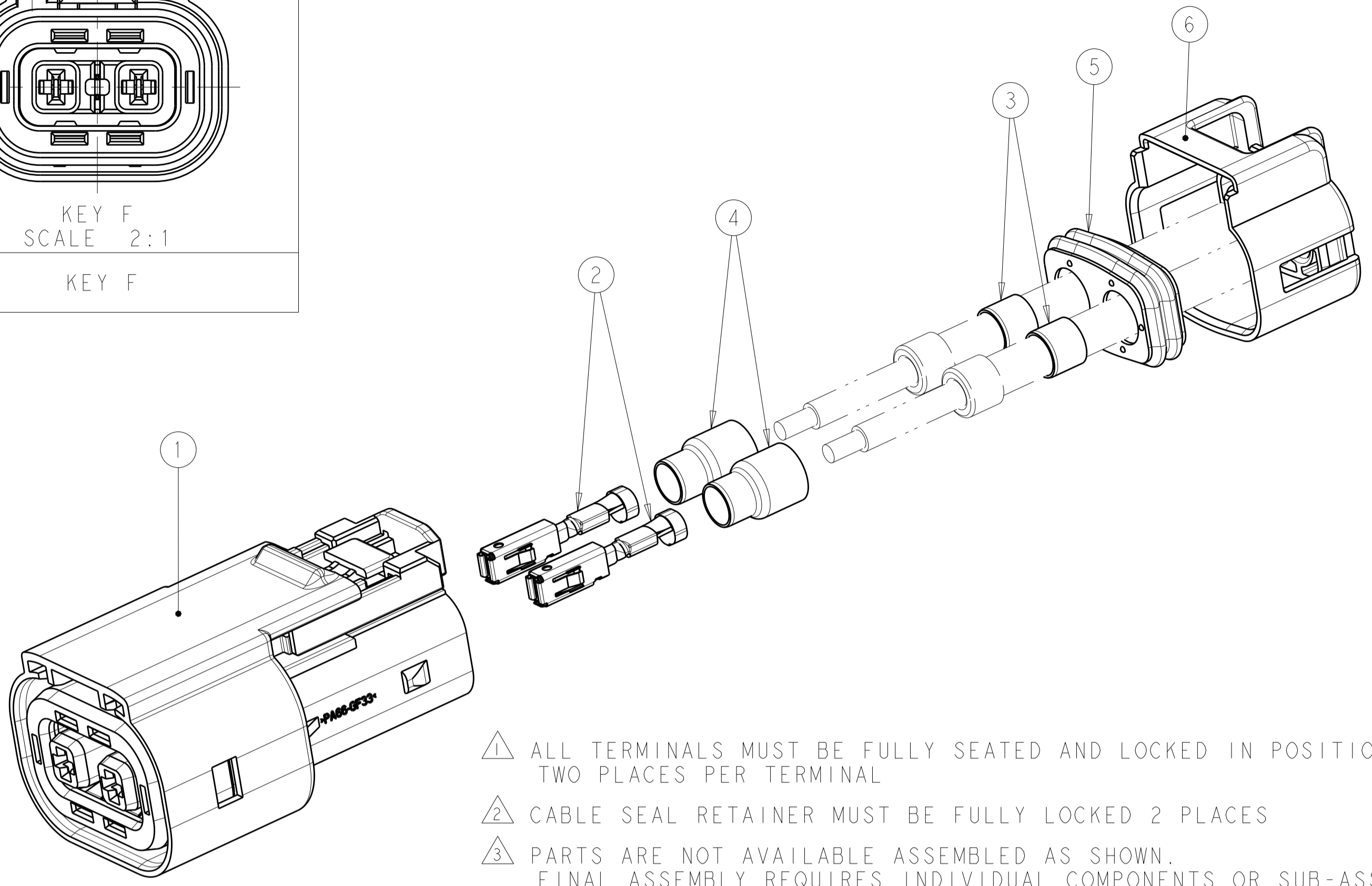
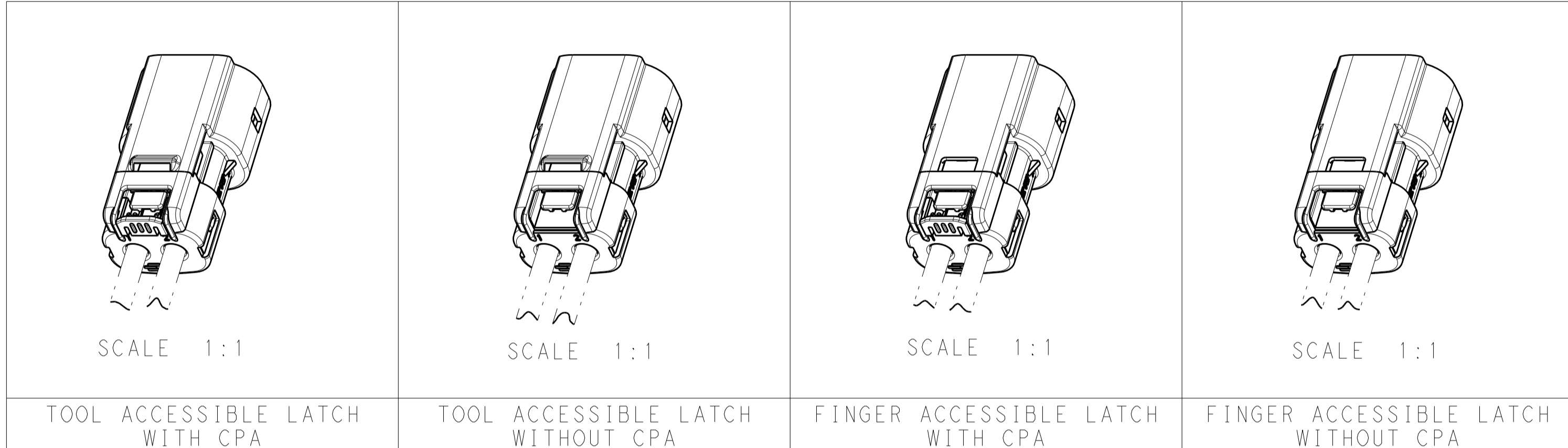
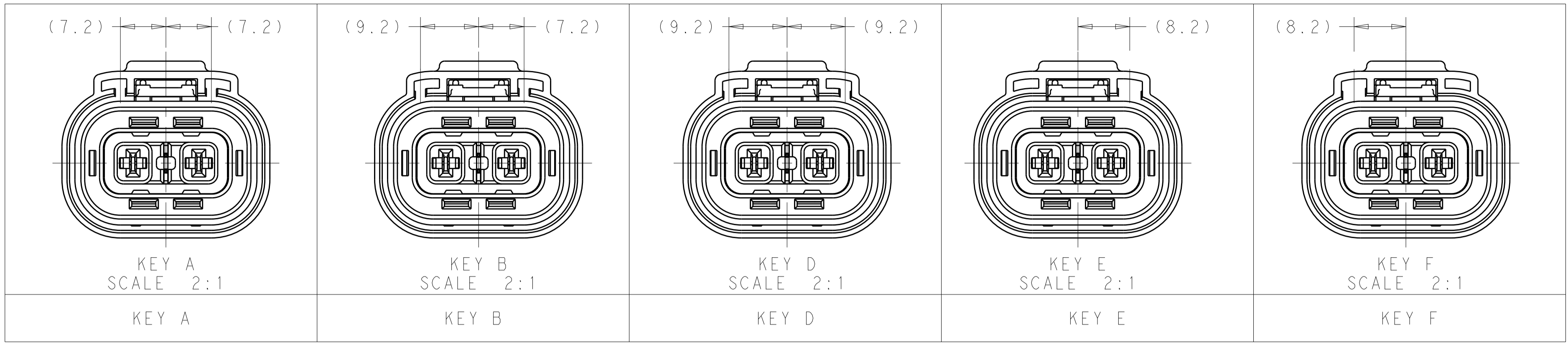
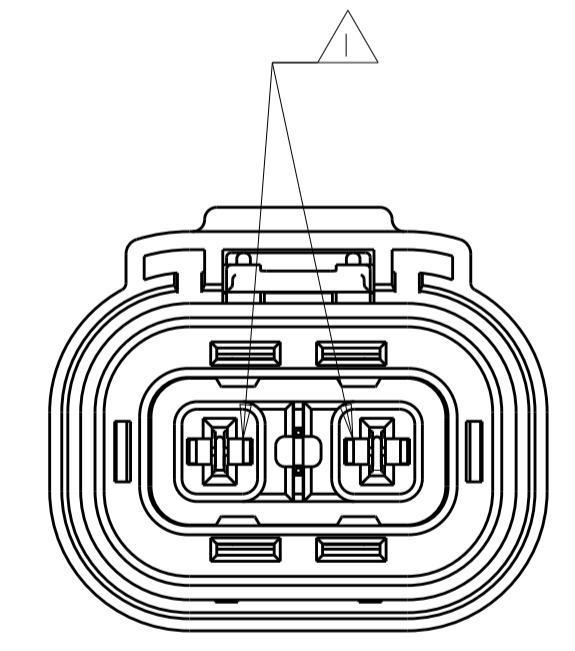
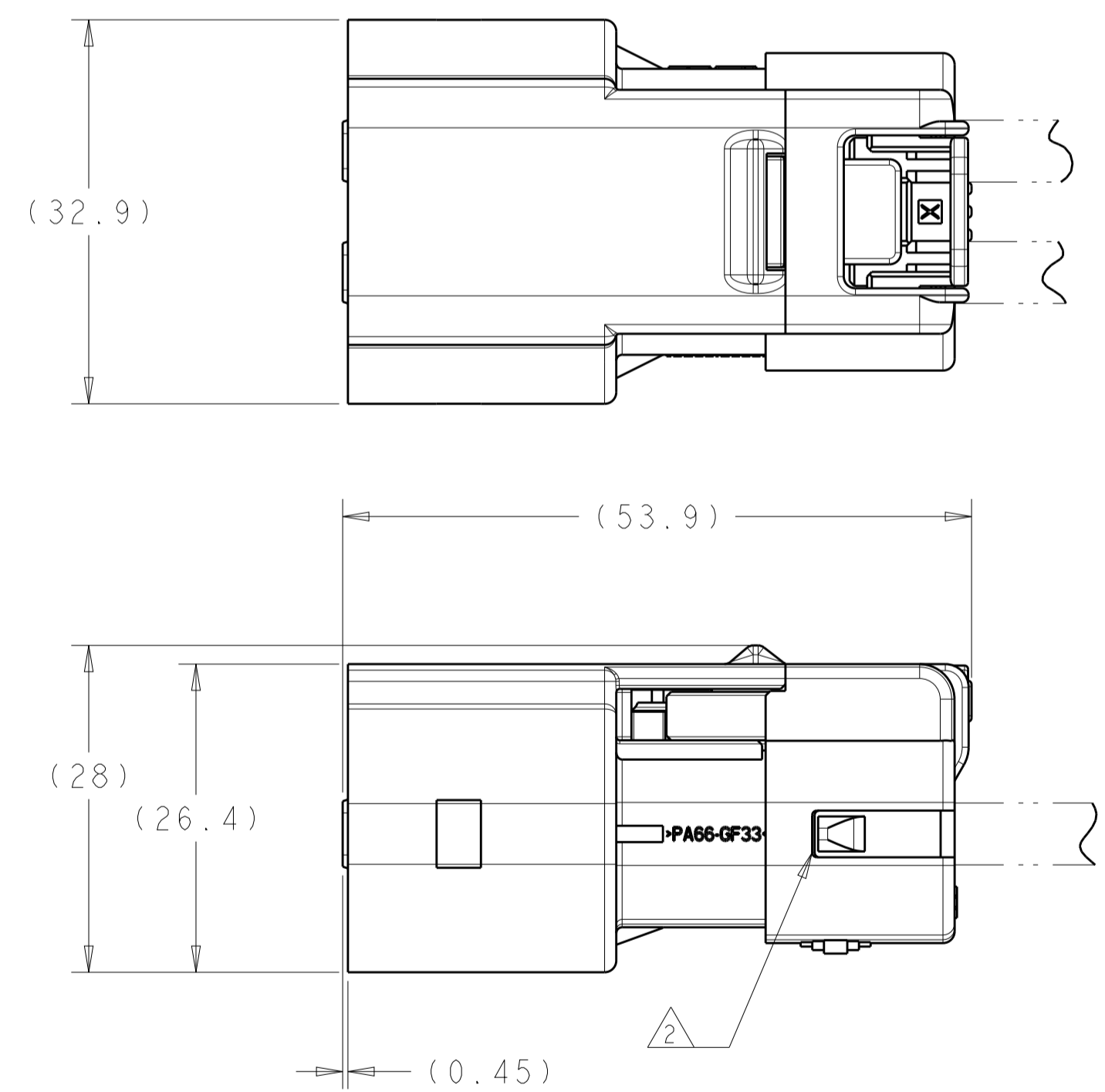


REVISIONS				
P.	LTN	DESCRIPTION	DATE	APPV
A		INITIAL RELEASE	22JAN2019	JMS AG



- ⚠️ 1 ALL TERMINALS MUST BE FULLY SEATED AND LOCKED IN POSITION TWO PLACES PER TERMINAL
- ⚠️ 2 CABLE SEAL RETAINER MUST BE FULLY LOCKED 2 PLACES
- ⚠️ 3 PARTS ARE NOT AVAILABLE ASSEMBLED AS SHOWN. FINAL ASSEMBLY REQUIRES INDIVIDUAL COMPONENTS OR SUB-ASSEMBLIES LISTED IN THE PARTS LIST AND AVAILABLE SEPARATELY FROM TE. CONSULT INDIVIDUAL CUSTOMER DRAWINGS FOR PART RELEASE STATUS.
- ⚠️ 4 THESE COMPONENTS HAVE OPTIONAL PART NUMBERS FOR DIFFERENT USE, WITH/WITHOUT CPA AND TOOL ACCESSIBLE/FINGER ACCESSIBLE LATCHING. CONTACT TYCO ELECTRONICS ENGINEERING FOR APPLICATION SPECIFIC PART NUMBERS.
- ⚠️ 5 NOTE DELETED
- 6. MATES WITH HEADERS SHOWN ON THESE TYCO ELECTRONICS DRAWINGS: 2103124, 1587975, 1587831
- 7. FOR TERMINAL CRIMPING AND APPLICATOR INFORMATION, PLEASE SEE TE APPLICATION SPECIFICATION: 114-18148-1



QTY REQ	PART NO.	CUSTOMER DRAWING	DESCRIPTION	ITEM NO	CABLE SUPPLIER/SPECIFICATION	CABLE SIZE/DESCRIPTION
	2103181-3	2103181	SEAL RETAINER, CABLE	6	LEONI KABEL, GmbH 76231175A	4.0mm ² INDIVIDUALLY SHIELDED
	1587826-3	1587826	SEAL, CABLE, VMO TYPE	5		
	1587829-3	1587829	FERRULE, OUTER	4		
	1587828-3	1587828	FERRULE, INNER	3		
	1-968853-3	1355036	MCP 2.8 TERMINAL FEMALE, Ag, 4.0mm ²	2	HUBER+SUHNER, AG 12 582 674	4.0mm ² INDIVIDUALLY SHIELDED
⚠️ 4	(X-)2103177-X	2103177	PLUG SUBASSY	1		
	2103181-3	2103181	SEAL RETAINER, CABLE	6		
	1587826-3	1587826	SEAL, CABLE, VMO TYPE	5		
	1587829-3	1587829	FERRULE, OUTER	4	JUDD WIRE, INC. JW1187-08	3.0mm ² INDIVIDUALLY SHIELDED
	1587828-3	1587828	FERRULE, INNER	3		
	1-968853-3	1355036	MCP 2.8 TERMINAL FEMALE, Ag, 4.0mm ²	2		
⚠️ 4	(X-)2103177-X	2103177	PLUG SUBASSY	1		
	2103181-2	2103181	SEAL RETAINER, CABLE	6		
	1587826-2	1587826	SEAL, CABLE, VMO TYPE	5		
	1587829-2	1587829	FERRULE, OUTER	4		
	1587828-2	1587828	FERRULE, INNER	3		
	1-968853-3	1355036	MCP 2.8 TERMINAL FEMALE, Ag, 4.0mm ²	2		
⚠️ 4	(X-)2103177-X	2103177	PLUG SUBASSY	1		

TOOL ACCESSIBLE LATCH WITH CPA VERSION SHOWN

THIS DRAWING IS A CONTROLLED DOCUMENT. DIMENSIONS: mm. TOLERANCES UNLESS OTHERWISE SPECIFIED: 0 PLC ±0.5, 1 PLC ±0.13, 2 PLC ±0.13, 3 PLC ±0.013, 4 PLC ±0.0001, ANGLES ±1. MATERIAL: -. FINISH: -. WEIGHT: -. CUSTOMER DRAWING: -. DWN: D SIMPSON, 23FEB2011. CHK: A TYLER, 23FEB2011. APVD: J ROLEWITZ, 23FEB2011. NAME: PLUG ASSY, HVA280-2PHI.XE REFERENCE DRAWING. SIZE: A1. CAGE CODE: -. DRAWING NO: 2103176. SCALE: 2:1. SHEET: 1 OF 1. REV: A.

X-ON Electronics

Largest Supplier of Electrical and Electronic Components

Click to view similar products for [Automotive Connectors](#) category:

Click to view products by [TE Connectivity](#) manufacturer:

Other Similar products are found below :

[003-018-000](#) [60403001](#) [60993906-B](#) [M902-2131](#) [M902-2161](#) [M902-2344](#) [72.330.1035.1](#) [73.353.4028.0](#) [F119300-B](#) [F166900](#) [F258300-B](#)
[F358300-B](#) [F407400](#) [F444110](#) [F487000](#) [F509500B-B](#) [827153-1](#) [8N1515-32-24P](#) [9-1326729-8](#) [925474-1](#) [928905-1](#) [964562-4](#) [968782-1](#)
[GT17SA-8DS-HU](#) [98891-1012](#) [98947-1016](#) [12004147](#) [12004475-L](#) [12010290](#) [12010309-B](#) [12015454](#) [12020219-B](#) [12041318-B](#) [12052225-](#)
[L](#) [12052466](#) [12064869](#) [12004327-B](#) [12015308](#) [12015384](#) [12015909](#) [1-21030-1](#) [12041254](#) [12041318](#) [12047946-B](#) [12047957](#) [12047957-L](#)
[12059473](#) [12066261](#) [12110546](#) [12110546-B](#)