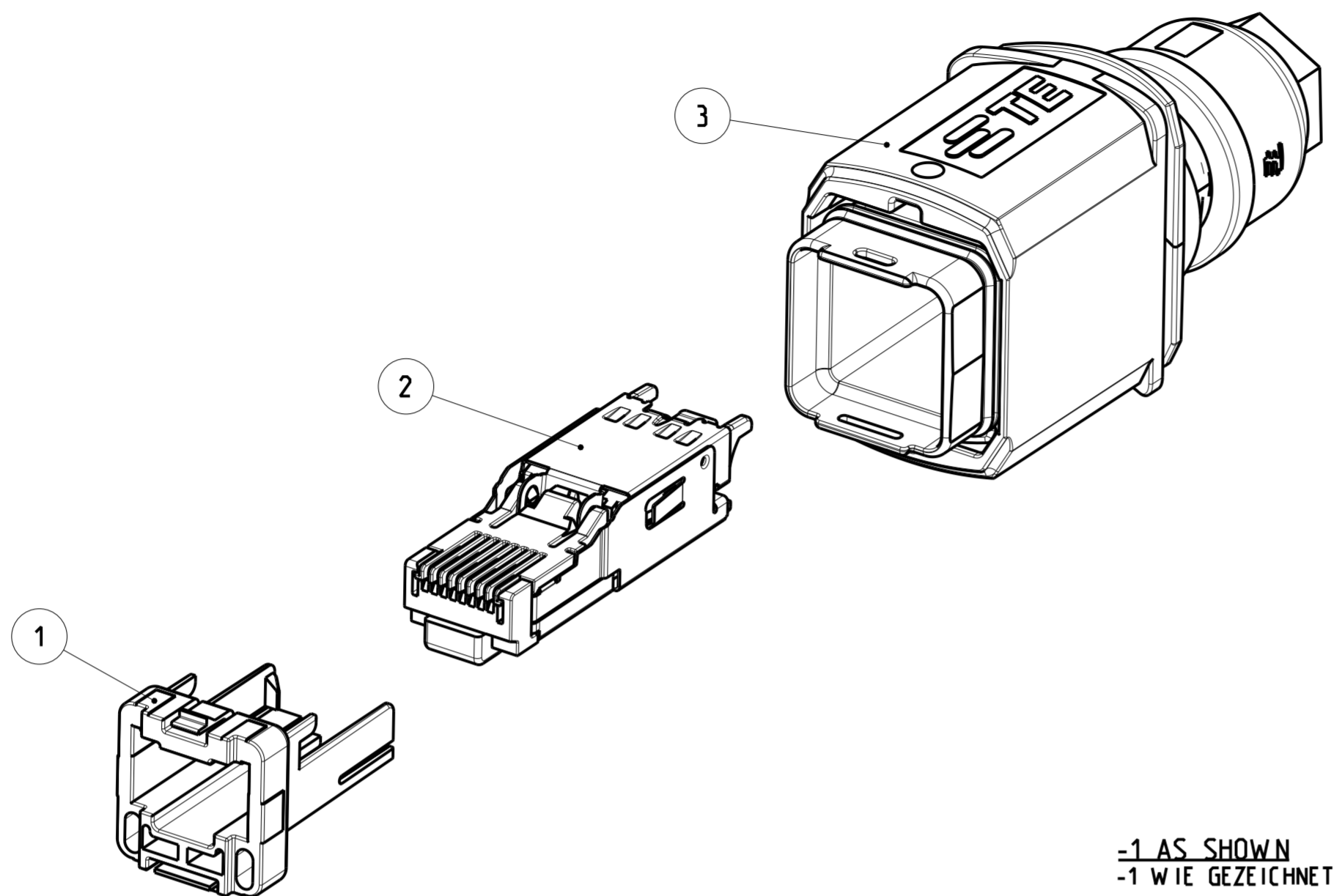


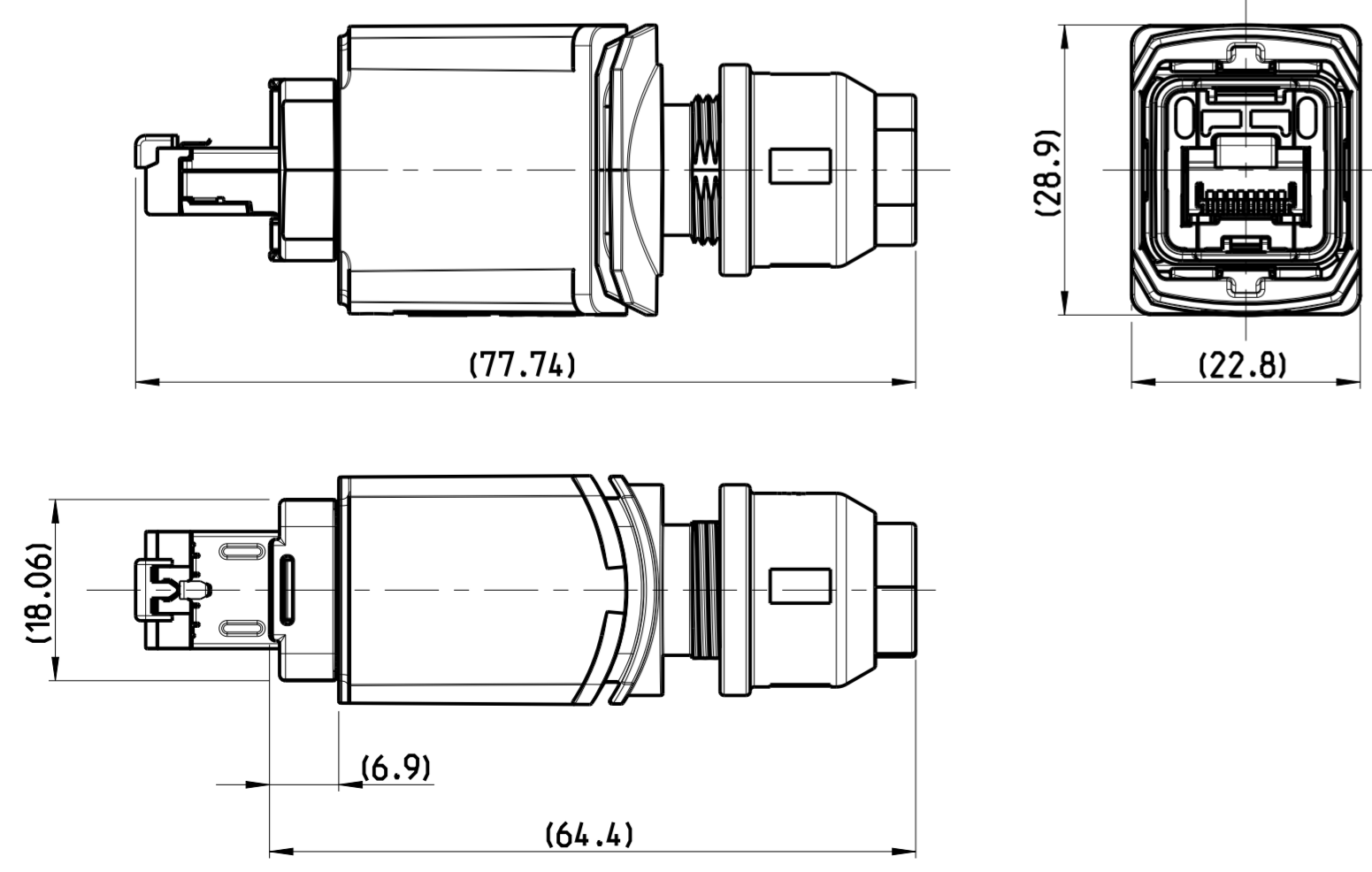
REVISIONS		DATE	DWN	APVD
NO.	DESCRIPTION			
A1	DRAWING ACTIVATED	18JUN2014	ER	CS
A2	VARIANT 1--1 ADDED	29MAR2016	ER	MS
B1	PCN :E-20-007322	16DEC2020	SS	MSZ
B2	PCN E-20-002171	08MAR2021	SS	JDB



-1 AS SHOWN  
-1 WIE GEZEICHNET

- ⚠ MOUNTING-CYCLE:  
- APPLICATION SEE INSTRUCTION SHEET 411-18564
- 2 PACKAGING:  
- CONNECTOR SET PACKED INTO BLISTER PACKAGE.  
- BLISTER PACKAGE PACKED INTO CARTON
- 3 RJ45 APPLICATION ACC. IEC 60076-3-117 AND INTERFACE DIM.
- ⚠ NOT SHOWN
- ⚠ MONTAGE:  
- VERARBEITUNG SIEHE MONTAGEANWEISUNG 411-18564
- 2 VERPACKUNG:  
- STECKER SET IN BLISTERVERPACKUNG VERPACKT  
- BLISTERVERPACKUNG TRAY IN KARTON VERPACKT
- 3 RJ45 ANWENDUNG NACH IEC 60076-3-117 UND SCHNITTSTELLENMASSE
- ⚠ NICHT DARGESTELLT

DIMENSION IN ASSEMBLED CONDITION  
MASSE IM ASSEMBLIERTEN ZUSTAND  
SCALE / M 3:2



Size ISO 14405 (E)

		2120864-1	TE ORDER-NO. BESTELL-NR.	
-	-	1	5	BLISTER PACKAGE BLISTERVERPACKUNG
-	-	1	4	INSTRUCTION SHEET MONTAGEANWEISUNG
-	-	1	3	PUSH PULL. SUB-ASSY PUSH PULL. SUB-ASSY
-	-	1	2	COMMON CORE ASSY 8POS.. GIGABIT GEN. KERN ASSY 8POL.. GIGABIT
-	-	1	1	ADAPTER RJ45, CAT5e PLUG, VARIANT 14 ADAPTER RJ45, CAT5e STECKER, VARIANTE 14
QUANTITY STUECK	ITEM-NO. POS.	DESCRIPTION BENENNUNG		SURFACE OBERFLAECHE COLOUR/FARBE
				PBT-GF20

THIS DRAWING IS A CONTROLLED DOCUMENT. DIMENSIONING AND TOLERANCING PER GPS (ISO STANDARDS).

DIMENSIONS: MASSE/MASSEN: IT/IT	TOLERANCES UNLESS OTHERWISE SPECIFIED: ALLGEMEINTOLERANZEN	DWN S. HASS 20SEP2013	 TE Connectivity														
<table border="1"> <tr> <td>0 PLC</td> <td>±0.2</td> </tr> <tr> <td>1 PLC</td> <td>±0.2</td> </tr> <tr> <td>2 PLC</td> <td>±0.2</td> </tr> <tr> <td>3 PLC</td> <td>±</td> </tr> <tr> <td>4 PLC</td> <td>±</td> </tr> </table>	0 PLC	±0.2		1 PLC	±0.2	2 PLC	±0.2	3 PLC	±	4 PLC	±	<table border="1"> <tr> <td>ANGLES/WINKEL</td> <td>±2°</td> </tr> <tr> <td>FINISH/OBERFLAECHE/FARBE</td> <td></td> </tr> </table>	ANGLES/WINKEL	±2°	FINISH/OBERFLAECHE/FARBE		CHK M. STRELOW 20SEP2013
0 PLC	±0.2																
1 PLC	±0.2																
2 PLC	±0.2																
3 PLC	±																
4 PLC	±																
ANGLES/WINKEL	±2°																
FINISH/OBERFLAECHE/FARBE																	
MATERIAL		APVD C. SCHRETLINGER 20SEP2013															

Customer Drawing /KUNDENZEICHNUNG

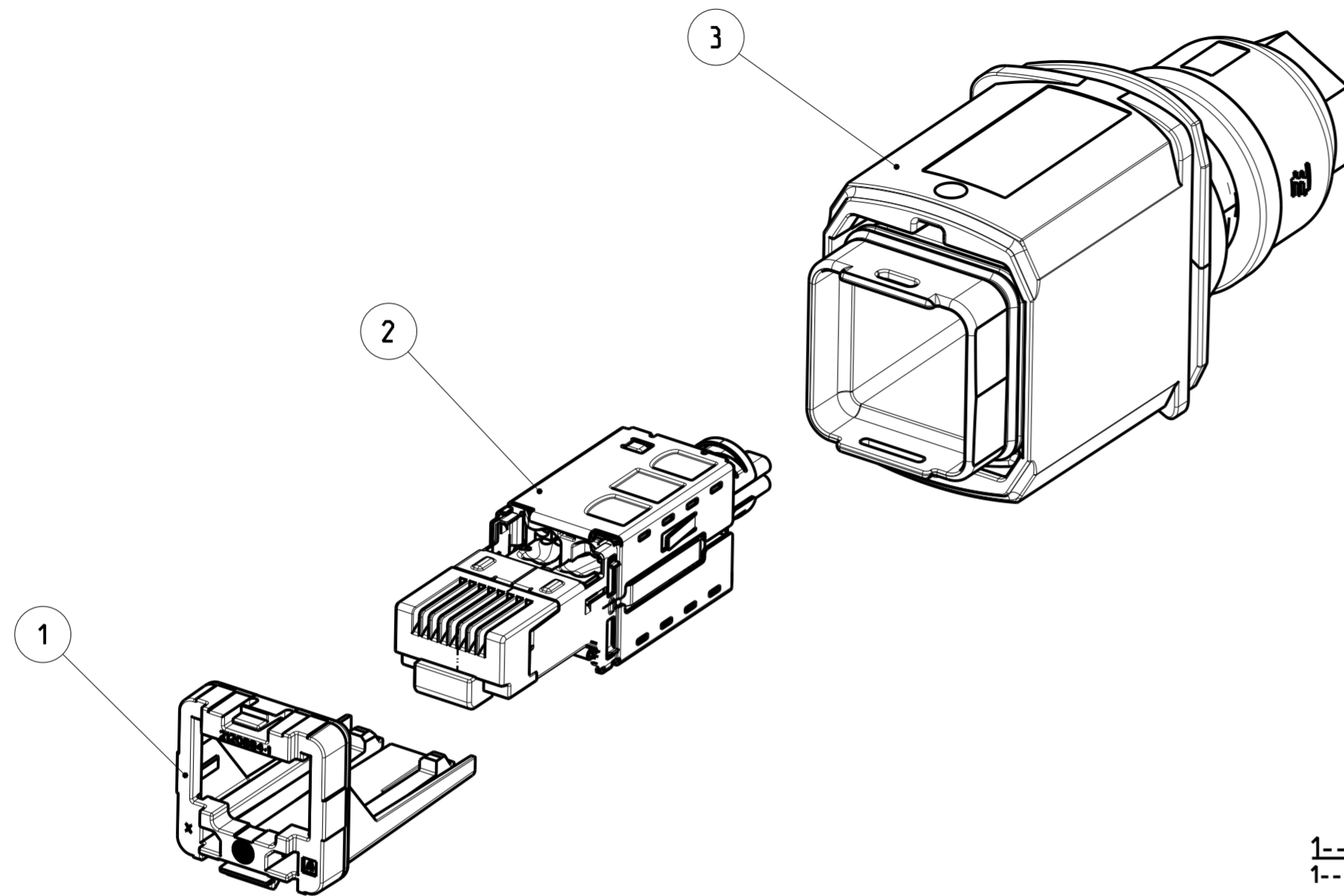
NAME: VARIANT 14. PLUG METAL VARIANTE 14. PLUG METALL RJ45, CAT5e, 8POS. GIGABIT

SIZE: A2 CAGE CODE: 00779 DRAWING NO. ZEICHNUNGS-NR.: C-2120864

RESTRICTED TO MUR FUER: -

SCALE MASSSTAB: 2:1 SHEET BLATT: 1 OF 5 REV: B2

REVISIONS		DATE	DWN	APVD
NO.	DESCRIPTION			
1	SEE SHEET 1	-	-	-

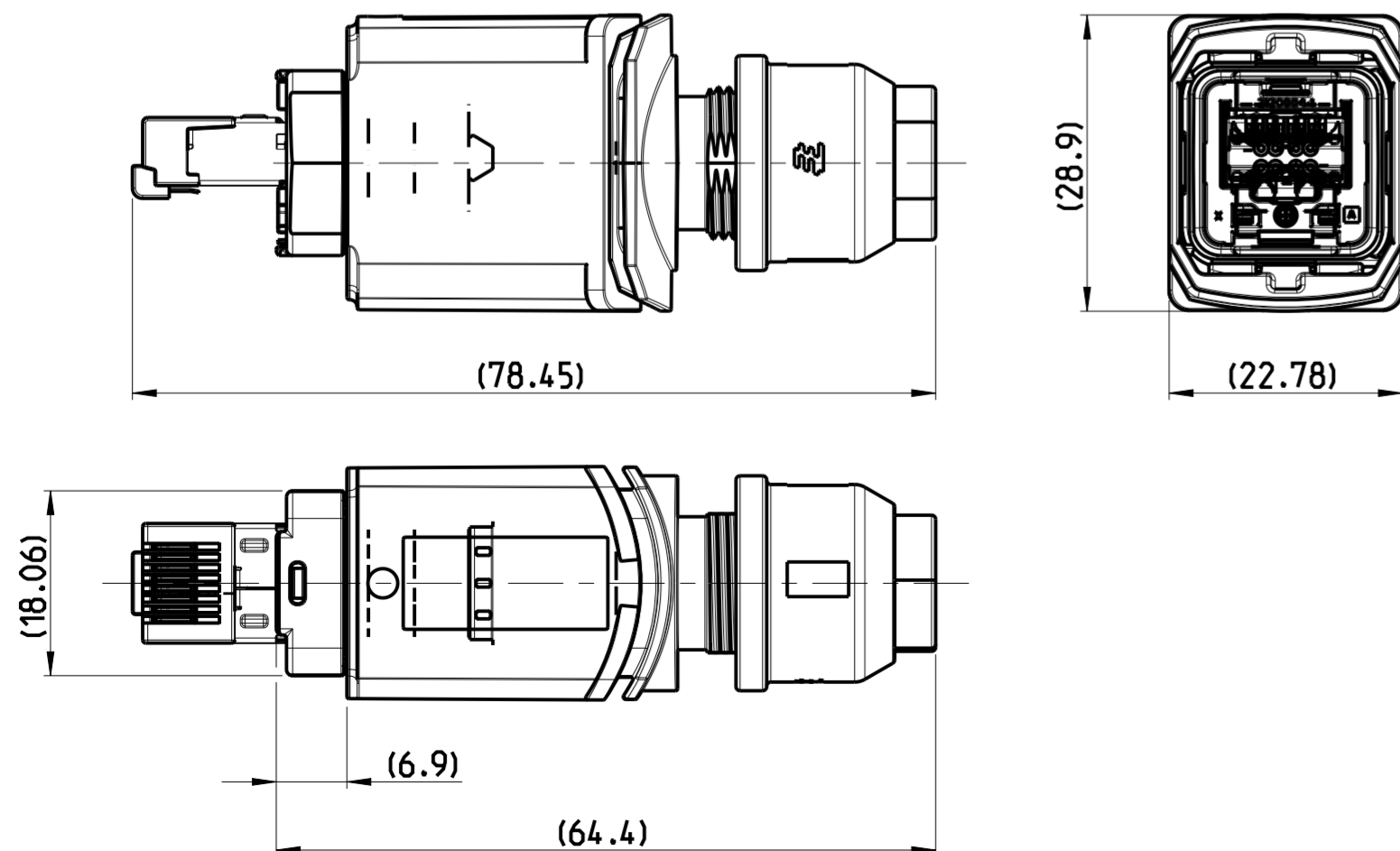


1--1 AS SHOWN  
 1--1 WIE GEZEICHNET

- 1 MOUNTING-CYCLE:  
 - APPLICATION SEE INSTRUCTION SHEET 411-18566
- 2 PACKAGING:  
 - CONNECTOR SET PACKED INTO BLISTER PACKAGE.  
 - BLISTER PACKAGE PACKED INTO CARTON
- 3 RJ45 APPLICATION ACC. IEC 60076-3-117 AND INTERFACE DIM.
- 4 NOT SHOWN

- 1 MONTAGE:  
 - VERARBEITUNG SIEHE MONTAGEANWEISUNG 411-18566
- 2 VERPACKUNG:  
 - STECKER SET IN BLISTERVERPACKUNG VERPACKT  
 - BLISTERVERPACKUNG TRAY IN KARTON VERPACKT
- 3 RJ45 ANWENDUNG NACH IEC 60076-3-117 UND SCHNITTSTELLENMASSE
- 4 NICHT DARGESTELLT

DIMENSION IN ASSEMBLED CONDITION  
 MASSE IM ASSEMBLIERTEN ZUSTAND  
 SCALE / M 3:2



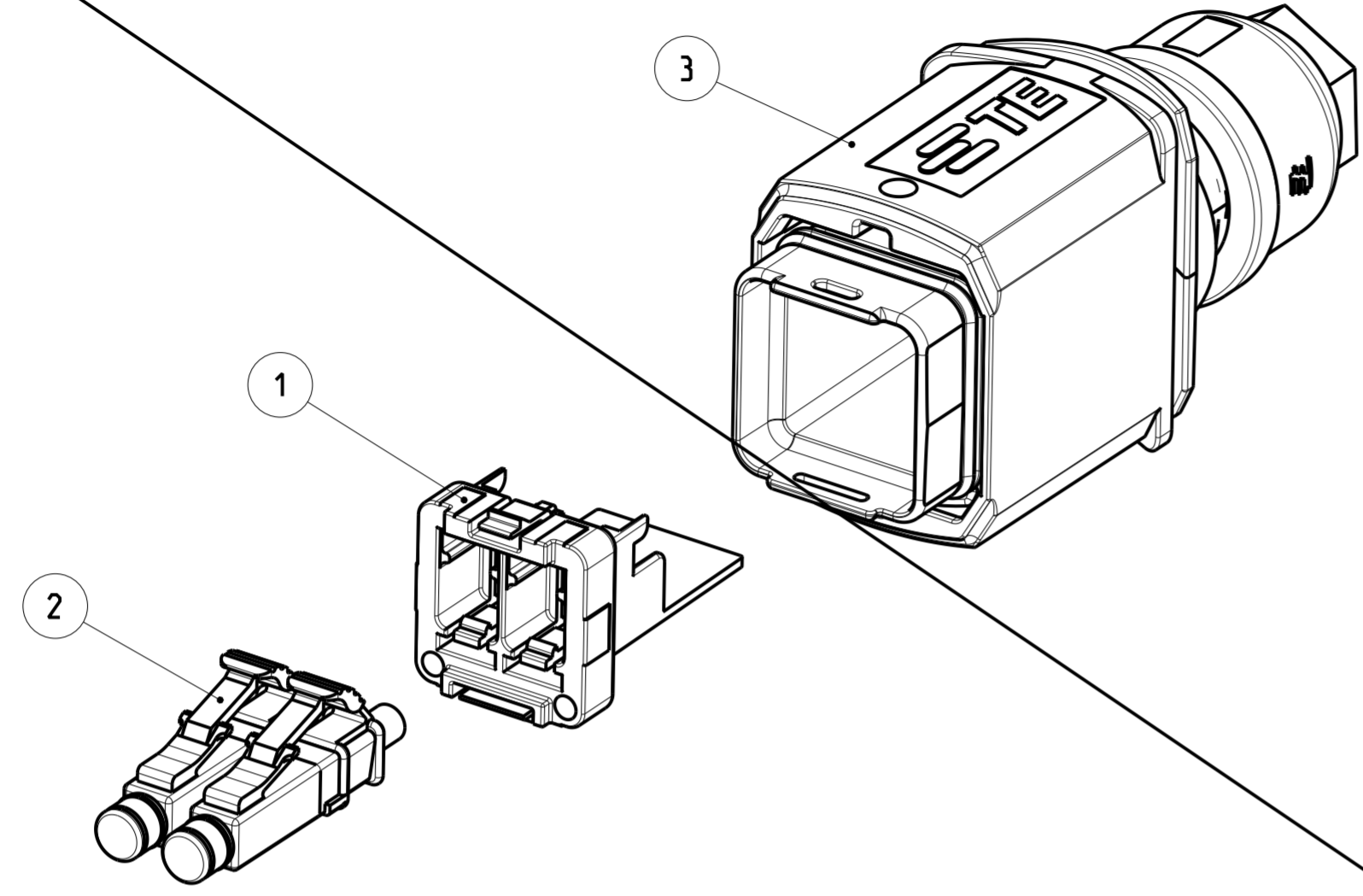
Size ISO 14405 E

QUANTITY STUECK	ITEM-NO. POS.	DESCRIPTION BENENNUNG	TE ORDER-NO. BESTELL-NR.	SURFACE OBERFLAECHE COLOUR/FARBE	MATERIAL
-	1	5 BLISTER PACKAGE BLISTERVERPACKUNG	1-2120864-1	-	-
-	1	4 INSTRUCTION SHEET MONTAGEANWEISUNG		-	-
-	1	3 PUSH PULL. SUB-ASSY PUSH PULL. SUB-ASSY		3-5 µm Ni OVER Ø µm Cu	ZP04.10 DIN 12833
-	1	2 COMMON CORE ASSY 8POS.. CAT6A GEM. KERN ASSY 8POL.. CAT6A		-	-
-	1	1 ADAPTER RJ45, CAT6A PLUG, VARIANT 14 ADAPTER RJ45, CAT6A STECKER, VARIANTE 14		BLACK SCHWARZ	PBT-GF20

THIS DRAWING IS A CONTROLLED DOCUMENT.  
 DIMENSIONING AND TOLERANCING PER GPS (ISO STANDARDS).

DIMENSIONS: MASSE/MAßSTÄBE: [mm]	TOLERANCES UNLESS OTHERWISE SPECIFIED: ALLGEMEINE TOLERANZEN	DWN S. HASS 20SEP2013	 TE Connectivity
		CHK M. STRELOW 20SEP2013	
		APVD C. SCHRETLINGER 20SEP2013	
		NAME VARIANT 14, PLUG METAL VARIANTE 14, PLUG METALL RJ45, CAT6A, 8POS.	
MATERIAL		PRODUCT SPEC 108-94207	SIZE A2
		APPLICATION SPEC VERARBEITUNGSSPEZ.	CAGE CODE 00779
		ANGLES/WINKEL FINISH/OBERFLAECHE/FARBE	DRAWING NO. ZEICHNUNGS-NR. C-2120864
		WEIGHT GEWICHT 83.0g	RESTRICTED TO NUR FÜR -
		Customer Drawing	SCALE MAßSTAB 2:1
			SHEET BLATT 2 OF 5
			REV B2

P	LTR	REVISIONS ÄNDERUNGEN DESCRIPTION BESCHREIBUNG	DATE	DWH	APVD
-	SEE SHEET 1				

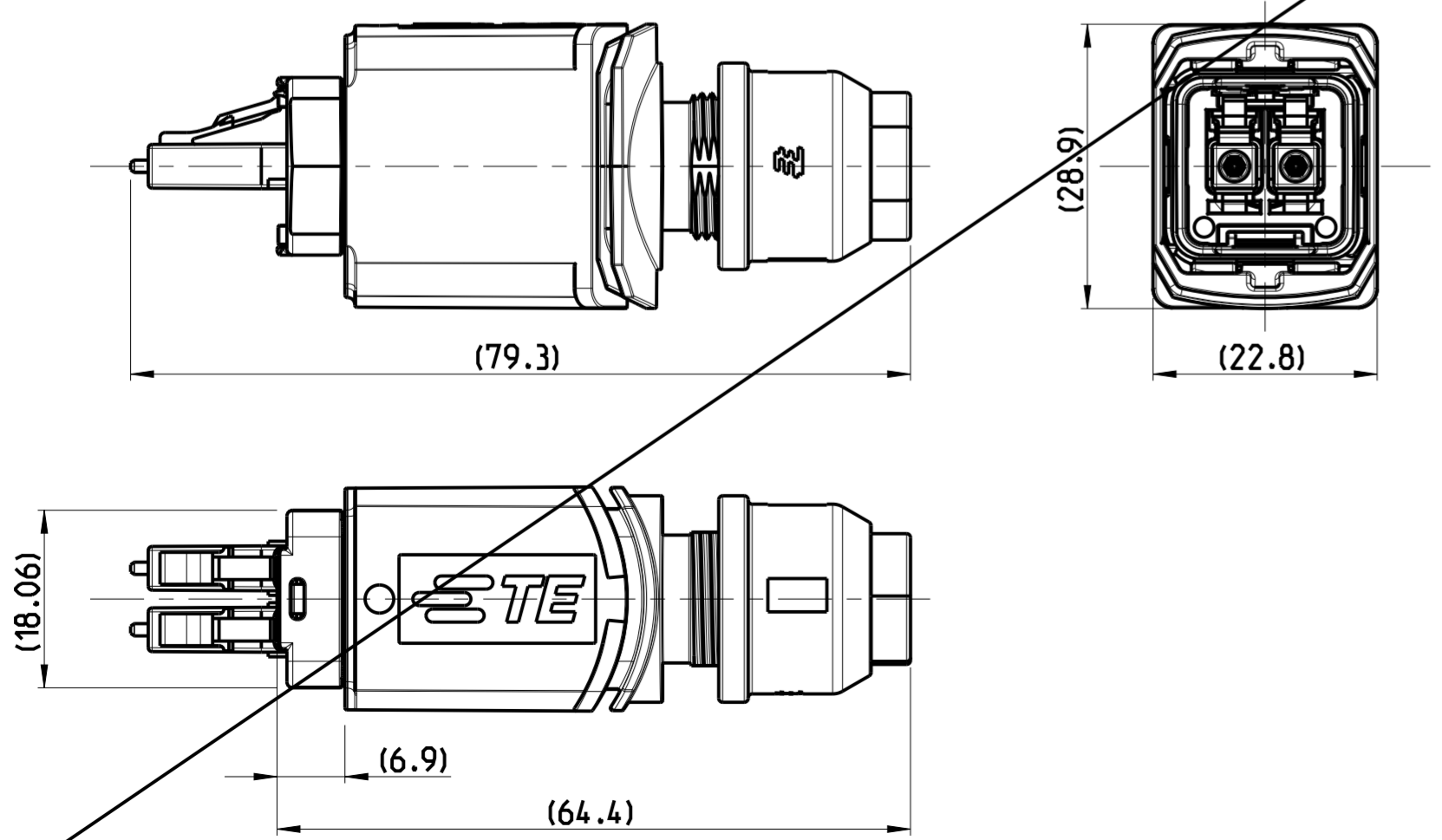


2--1 AS SHOWN  
2--1 WIE GEZEICHNET

- 1 MOUNTING-CYCLE:  
- APPLICATION SEE INSTRUCTION SHEET 411-18565
- 2 PACKAGING:  
- CONNECTOR SET PACKED INTO BLISTER PACKAGE  
- BLISTER PACKAGE PACKED INTO CARTON
- 3 CONNECTOR APPLICATION ACC. INSTRUCTION SHEET 408-8925
- 4 NOT SHOWN
  
- 1 MONTAGE:  
- VERARBEITUNG SIEHE MONTAGEANWEISUNG 411-18565
- 2 VERPACKUNG:  
- STECKER SET IN BLISTERVERPACKUNG VERPACKT  
- BLISTERVERPACKUNG IN KARTON VERPACKT
- 3 STECKVERBINDER MONTAGE NACH ARBEITSANWEISUNG 408-8925
- 4 NICHT DARGESTELLT

# OBSOLETE

DIMENSION IN ASSEMBLED CONDITION  
MASSE IM ASSEMBLIERTEN ZUSTAND  
SCALE / M 3:2



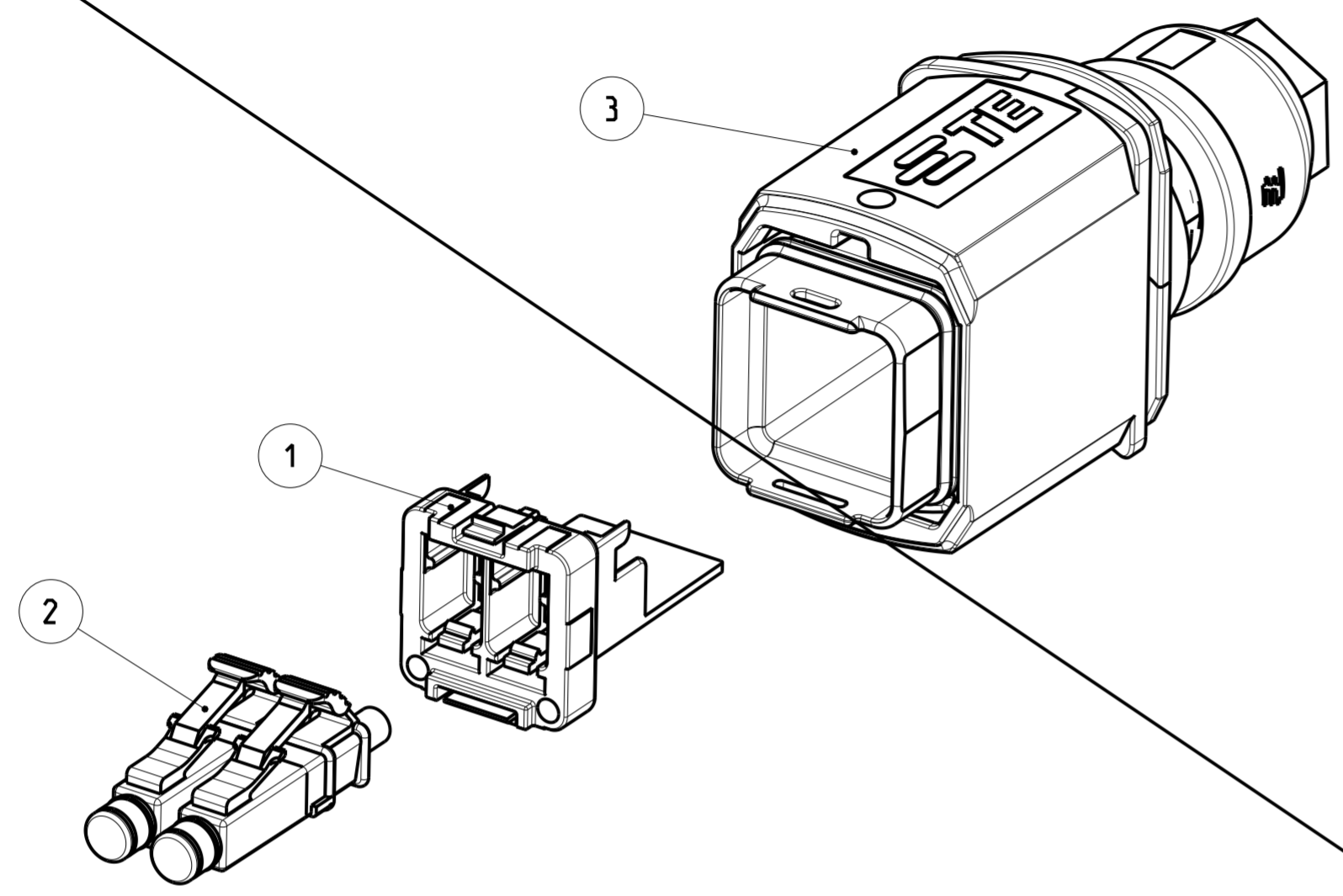
Size ISO 14405 (E)

QUANTITY STÜCK		ITEM-NO. POS.	DESCRIPTION BENENNUNG	SURFACE OBERFLÄCHE COLOUR/FARBE	MATERIAL
-	-	1	5 BLISTER PACKAGE BLISTERVERPACKUNG	-	-
-	-	1	4 INSTRUCTION SHEET MONTAGEANWEISUNG	-	-
-	-	1	3 PUSH PULL. SUB-ASSY PUSH PULL. SUB-ASSY	3-5 µm Ni OVER 8 µm Cu	ZP0410 DIN 12833
-	-	2	2 CONNECTOR ASSEMBLY ONE-PIECE LC. SINGLE MODE GLASFASERVERBINDER. LC. SINGLEMODE	BLUE BLAU	-
-	-	1	1 ADAPTER FIBER OPTIC PLUG, VARIANTE 14 ADAPTER FIBER OPTIC STECKER, VARIANTE 14	BLACK SCHWARZ	PBT-GF20

THIS DRAWING IS A CONTROLLED DOCUMENT. DIMENSIONING AND TOLERANCING PER GPS (ISO STANDARDS).		DWH S. HASS 20SEP2013	 TE Connectivity
DIMENSIONS: MASSE/WEITEN: (MM)		CHK M. STRELOW 20SEP2013	
TOLERANCES UNLESS OTHERWISE SPECIFIED: ALLGEMEINTOLERANZEN		APVD C. SCHREITLINGER 20SEP2013	
0 PLC ±0.2 1 PLC ±0.2 2 PLC ±0.2 3 PLC ± 4 PLC ± ANGLES/WINKEL ±2° FINISH/OBERFLÄCHE/FARBE		NAME VARIANTE 14. PLUG METAL VARIANTE 14. PLUG METAL FIBER OPTIC. LC. SINGLE MODE (BLUE)	
MATERIAL	-	WEIGHT GEWICHT 74.9g	RESTRICTED TO MUR FUER
Customer Drawing		SCALE MASSSTAB 2:1	SHEET BLATT 3 OF 5 REV. B2

P	LTR	REVISIONS ÄNDERUNGEN DESCRIPTION BESCHREIBUNG	DATE	DWH	APVD
-	SEE SHEET 1				

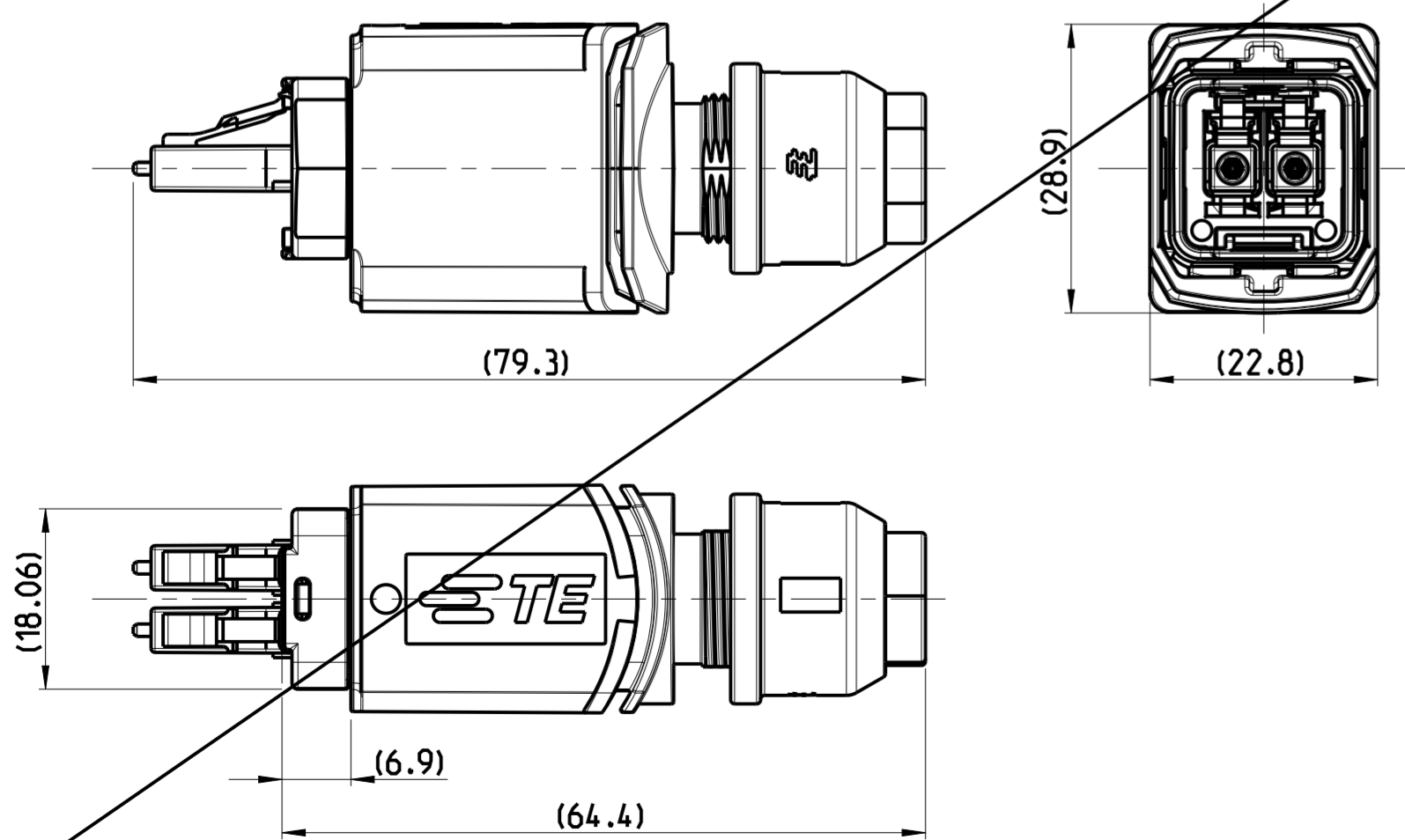


- 1 MOUNTING-CYCLE:  
- APPLICATION SEE INSTRUCTION SHEET 411-18565
  - 2 PACKAGING:  
- CONNECTOR SET PACKED INTO BLISTER PACKAGE  
- BLISTER PACKAGE PACKED INTO CARTON
  - 3 CONNECTOR APPLICATION ACC. INSTRUCTION SHEET 408-8925
  - 4 NOT SHOWN
- 
- 1 MONTAGE:  
- VERARBEITUNG SIEHE MONTAGEANWEISUNG 411-18565
  - 2 VERPACKUNG:  
- STECKER SET IN BLISTERVERPACKUNG VERPACKT  
- BLISTERVERPACKUNG IN KARTON VERPACKT
  - 3 STECKERVERBINDER MONTAGE NACH ARBEITSANWEISUNG 408-8925
  - 4 NICHT DARGESTELLT

3-1 AS SHOWN  
3-1 WIE GEZEICHNET

# OBSOLETE

DIMENSION IN ASSEMBLED CONDITION  
MASSE IM ASSEMBLIERTEN ZUSTAND  
SCALE / M 3:2



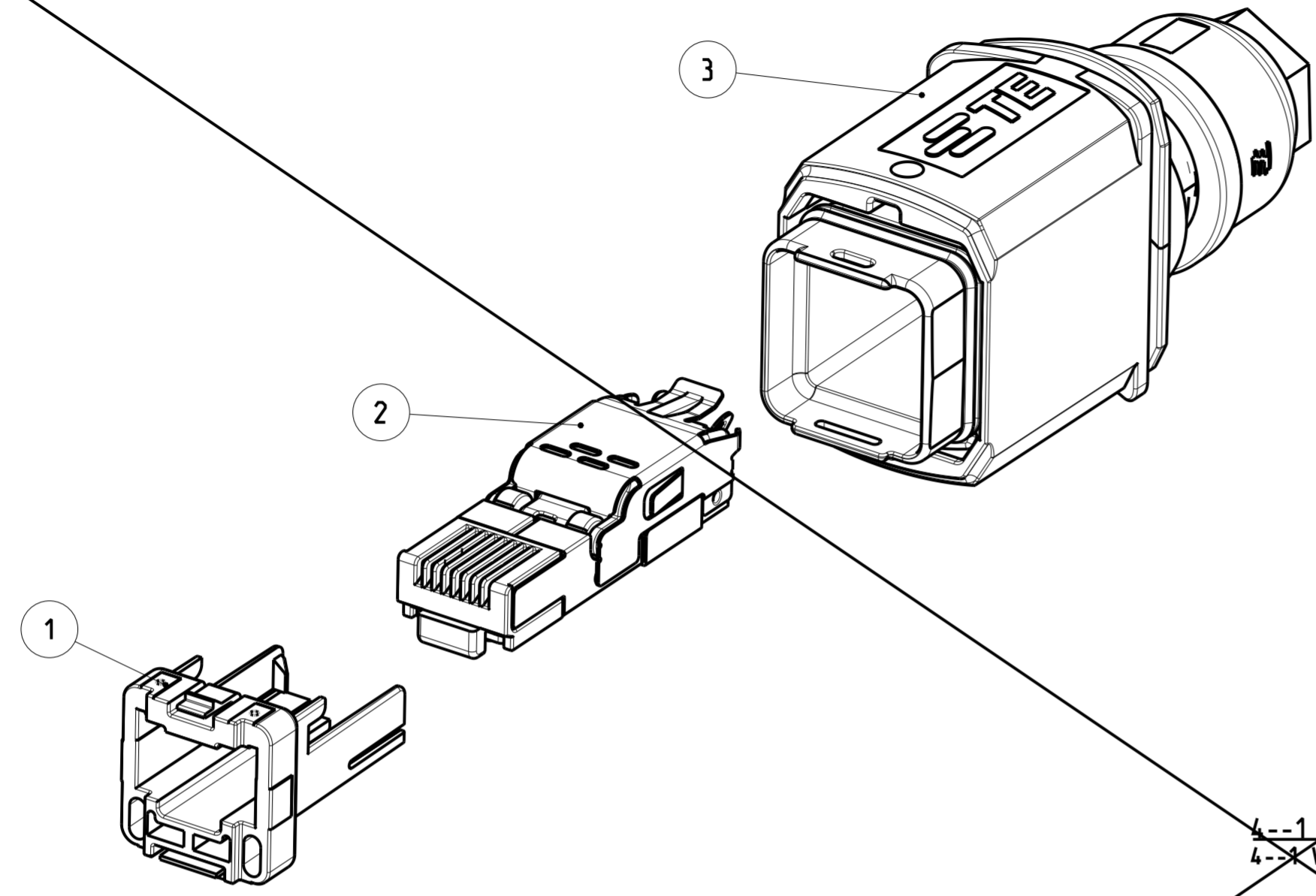
QUANTITY STÜCK	ITEM-NO. POS.	DESCRIPTION BENENNUNG	SURFACE OBERFLÄCHE COLOUR/FARBE	MATERIAL
-	-	3-2120864-1	TE ORDER-NO. BESTELL-NR.	
-	1	5 BLISTER PACKAGE BLISTERVERPACKUNG	4	-
-	1	4 INSTRUCTION SHEET MONTAGEANWEISUNG	1/4	-
-	1	3 PUSH PULL, SUB-ASSY PUSH PULL, SUB-ASSY	3-5 µm Ni OVER 8 µm Cu	ZP0410 DIN 12833
-	2	2 CONNECTOR ASSEMBLY ONE-PIECE LC, MULTI MODE GLASFASERVERBINDER, LC, MULTIMODE	BLACK SCHWARZ	-
-	1	1 ADAPTER FIBER OPTIC PLUG, VARIANT 14 ADAPTER FIBER OPTIC PLUG, VARIANTE 14	BLACK SCHWARZ	PBT-GF20

THIS DRAWING IS A CONTROLLED DOCUMENT. DIMENSIONING AND TOLERANCING PER GPS (ISO STANDARDS).		DWH S. HASS 20SEP2013	 TE Connectivity
DIMENSIONS: MASSE/WEITEN: IT/III		CHK M. STRELOW 20SEP2013	
TOLERANCES UNLESS OTHERWISE SPECIFIED: ALLGEMEINTOLERANZEN		APVD C. SCHRETTLINGER 20SEP2013	
0 PLC ±0.2 1 PLC ±0.2 2 PLC ±0.2 3 PLC ± 4 PLC ± ANGLES/WINKEL ±2° FINISH/OBERFLÄCHE/FARBE		NAME VARIANT 14, PLUG METAL VARIANTE 14, PLUG METALL FIBER OPTIC, LC, MULTI MODE (BEIGE)	
MATERIAL		WEIGHT GEWICHT 74.9g	RESTRICTED TO MUR FUER
Customer Drawing		SCALE MASSSTAB 2:1	SHEET BLATT 4 OF 5

Size ISO 14405 (E)

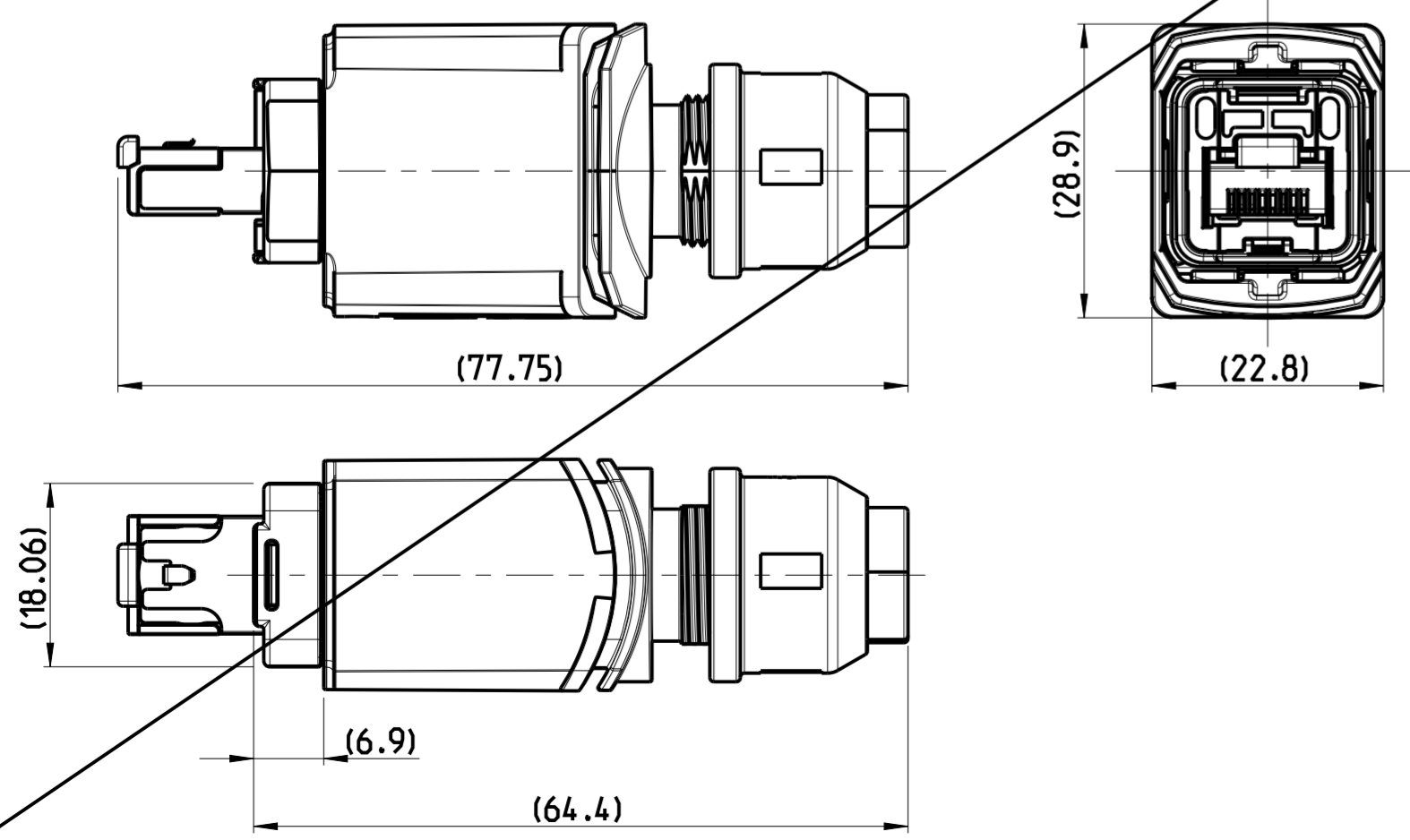
P	LTR	REVISIONS ÄNDERUNGEN	DESCRIPTION BESCHREIBUNG	DATE	DWH	APVD
-	-	SEE SHEET 1				



- 1 MOUNTING-CYCLE:  
- APPLICATION SEE INSTRUCTION SHEET 411-18564
  - 2 PACKAGING:  
- CONNECTOR SET PACKED INTO BLISTER PACKAGE  
- BLISTER PACKAGE PACKED INTO CARTON
  - 3 RJ45 APPLICATION ACC. IEC 60076-3-117 and INTERFACE DIM.
  - 4 NOT SHOWN
- 
- 1 MONTAGE:  
- VERARBEITUNG SIEHE MONTAGEANWEISUNG 411-18564
  - 2 VERPACKUNG:  
- STECKER SET IN BLISTERVERPACKUNG VERPACKT  
- BLISTERVERPACKUNG IN KARTON VERPACKT
  - 3 RJ45 ANWENDUNG NACH IEC 60076-3-117 UND SCHNITTSTELLENMASSE
  - 4 NICHT DARGESTELLT

# OBSOLETE

DIMENSION IN ASSEMBLED CONDITION  
MASSE IM ASSEMBLIERTEN ZUSTAND  
SCALE / M 3:2



Size ISO 14405 (E)

QUANTITY STÜCK		ITEM-NO. POS.	DESCRIPTION BENENNUNG	SURFACE OBERFLÄCHE COLOUR/FARBE	MATERIAL
-	-	1	5 BLISTER PACKAGE BLISTERVERPACKUNG	-	-
-	-	1	4 INSTRUCTION SHEET MONTAGEANWEISUNG	-	-
-	-	1	3 PUSH PULL. SUB-ASSY PUSH PULL. SUB-ASSY	3-5 µm Ni OVER 8 µm Cu	ZP0410 DIN 12833
-	-	1	2 CORE 4POS. ASSY KERN 4POL. ASSY	-	-
-	-	1	1 ADAPTER RJ45, CAT5e, VARIANTE 14, PLUG ADAPTER RJ45, CAT5e, VARIANTE 14, STECKER	BLACK SCHWARZ	PBT-GF20

THIS DRAWING IS A CONTROLLED DOCUMENT. DIMENSIONING AND TOLERANCING PER GPS (ISO STANDARDS).		DWH S. HASS 20SEP2013	 TE Connectivity	NAME VARIANTE 14, PLUG METAL VARIANTE 14, PLUG METALL RJ45, CAT5e, 4POS	RESTRICTED TO MUR FÜR	
DIMENSIONS: MASSE/WEITEN: [mm]		CHK M. STRELOW 20SEP2013		PRODUCT SPEC 108-94207	SIZE A2	OF 5
TOLERANCES UNLESS OTHERWISE SPECIFIED: ALLGEMEINTOLERANZEN		APVD C. SCHREITLINGER 20SEP2013		APPLICATION SPEC VERARBEITUNGSSPEZ.	DRAWING NO. ZEICHNUNGS-NR. C-2120864	REV B2
ANGLES/INWINKEL FINISH/OBERFLÄCHE/FARBE		MATERIAL		WEIGHT GEWICHT 78.6g	SCALE MASSSTAB 2:1	SHEET BLATT 5

## X-ON Electronics

Largest Supplier of Electrical and Electronic Components

*Click to view similar products for [Modular Connectors / Ethernet Connectors](#) category:*

*Click to view products by [TE Connectivity](#) manufacturer:*

Other Similar products are found below :

[8949-H88/06BLKA/SN](#) [74441-0010/BKN](#) [MP1010RX-1000](#) [MP44RX-1000](#) [PHJ-4P4C-1-V-4](#) [PHP-6P6C-5](#) [GAX-3-66](#) [GAX-8-62](#) [GDCX-PA-66-50](#) [GDCX-PN-64](#) [GDCX-PN-66](#) [GDCX-PN-66-50](#) [GDLX-A-66](#) [GDLX-N-66](#) [GDLX-S-66](#) [GDLX-S-88K](#) [GDLX-SMT-S-88](#) [GDTX-S-88-50](#) [GDX-PA-1010](#) [GLX-N-1010M-BLK](#) [GLX-S-88M-BLK](#) [GMX-N-1010](#) [GMX-S-1010](#) [GMX-S-66](#) [GMX-SMT4-N-88](#) [GPX-2-64](#) [GSGX-N-2-88](#) [GSGX-N-4-88](#) [GSX-NS2-88-3.05](#) [GSX-NS2-88-3.05-50](#) [GSX-NS-88-3.05-50](#) [PT-108A-8C-UL](#) [PT-J951-8C](#) [PTS-J531-8CS-50UL](#) [1-1775629-2](#) [A-2014-0-4](#) [GWLX-S-88-GR](#) [GWLX-S9-88-YG](#) [DC-1021-8-WH-6](#) [1300530003](#) [1324640-4](#) [RJ11FTVC2G](#) [RJ11FTVC2N](#) [RJFTVX2SA1G](#) [132764-001](#) [1413235](#) [MP88X-1000](#) [MPS88RX-5000](#) [E5288-S000K3-L](#) [E5908-15A242-L](#)