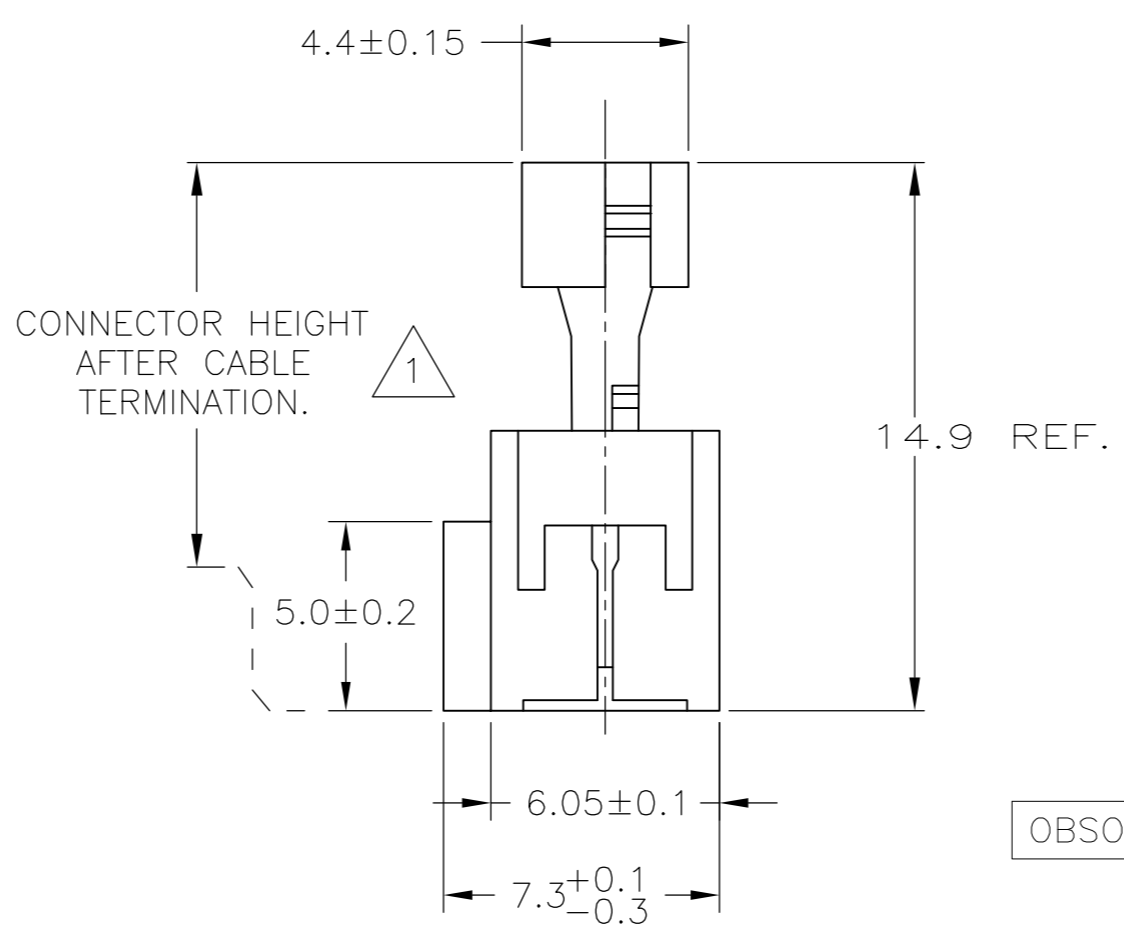
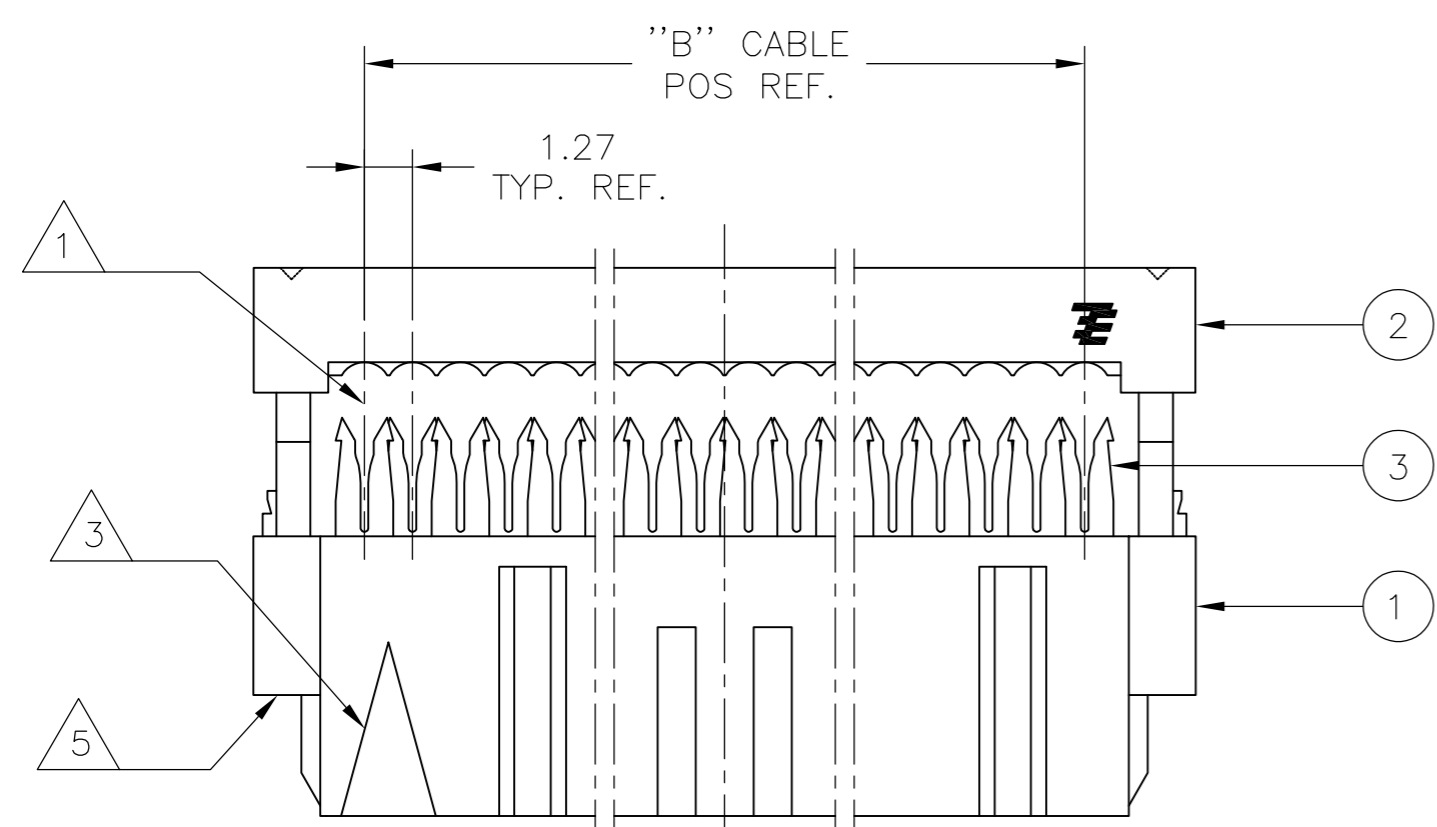
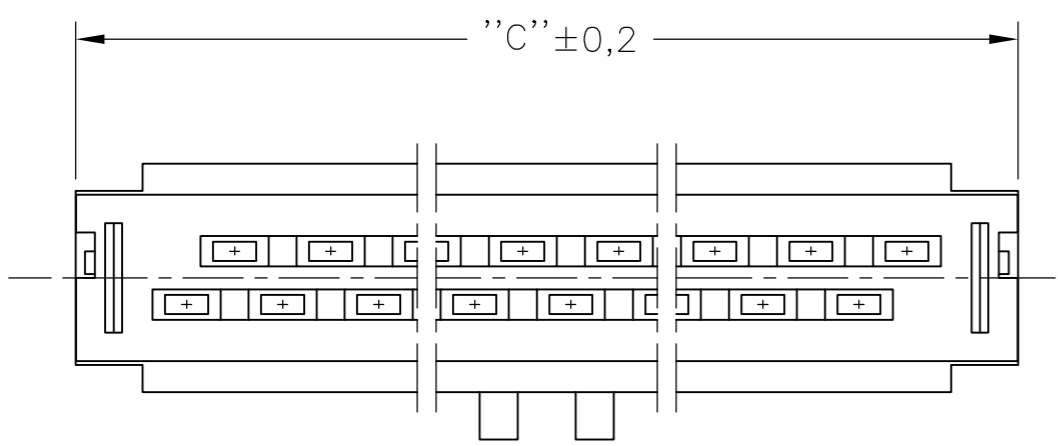


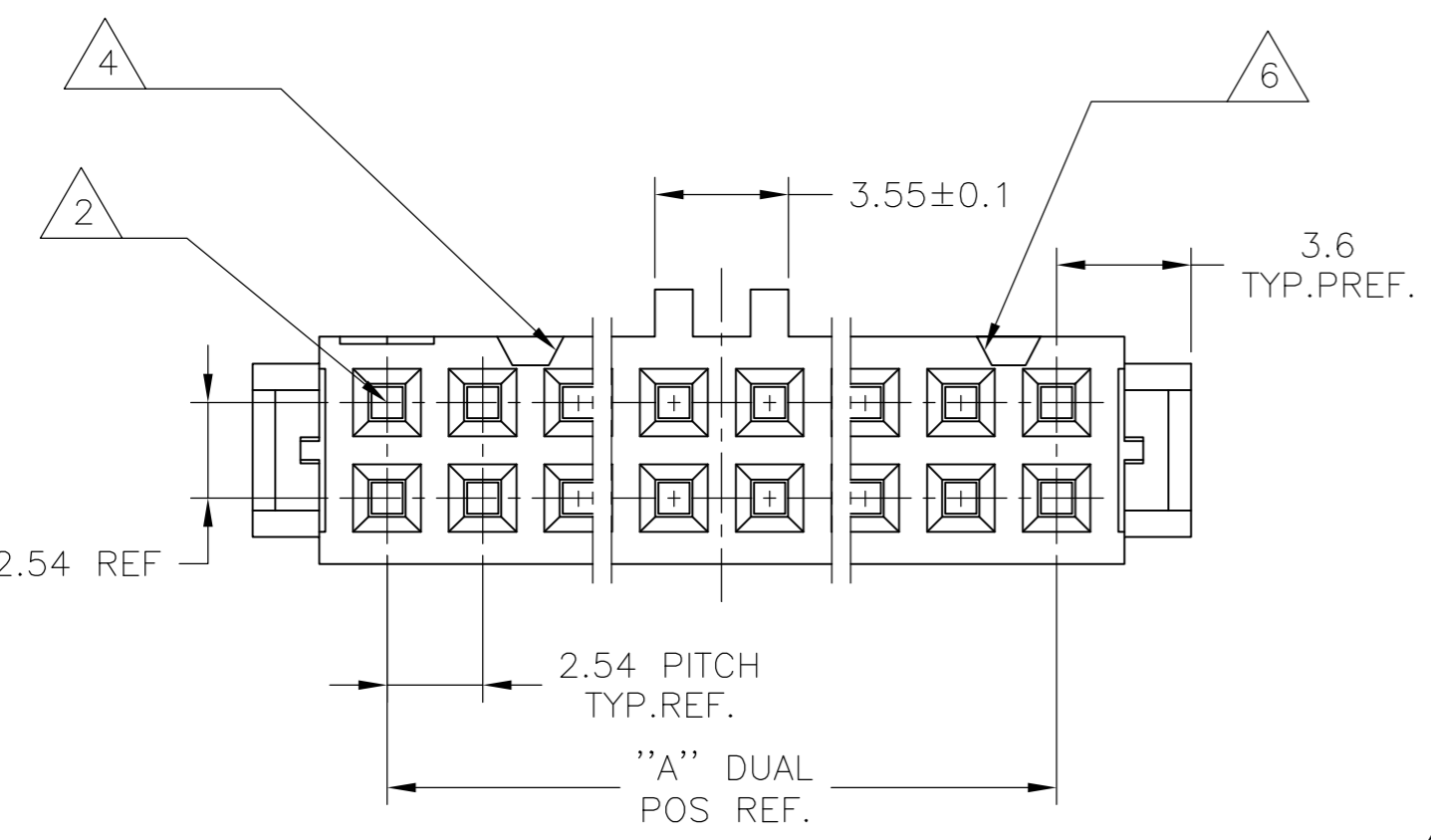
THIS DRAWING IS UNPUBLISHED. RELEASED FOR PUBLICATION
 © COPYRIGHT - By - ALL RIGHTS RESERVED.

LOC		DIST		REVISIONS			
P	LTR	DESCRIPTION		DATE	DWN	APVD	
-	-	E	REVISED PER ECO-14-013012	15DEC2014	AP	PR	

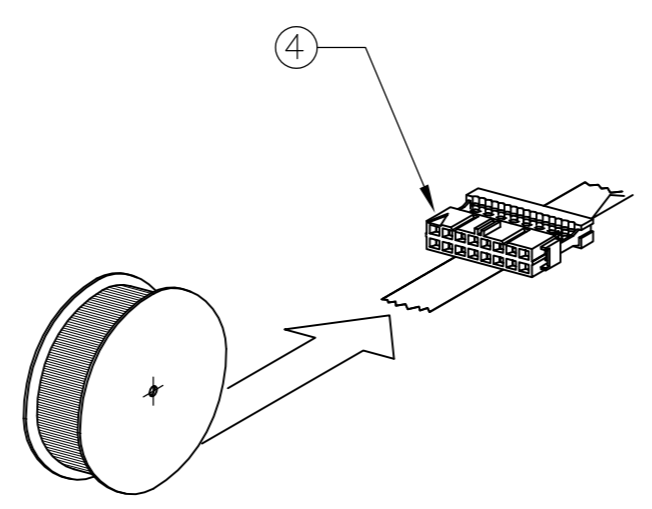
- ① CONNECTOR IS DESIGNED FOR FLAT RIBBON CABLE ON 1.27 CENTERS. FOR CABLE REQUIREMENTS SEE THE APPLICATION SPECIFICATION 114-19022.
- ② THESE RECEPTACLE CONNECTORS MATE WITH 0.64±0.05mm SQUARE OR ROUND POSTS ON 2.54mm GRID.
- ③ MARK INDICATING FIRST CABLE POSITION REFERRING TO CONTACT POSITION.
- ④ THERE IS NO POLARIZATION-SLOT AT THIS END IN 6, 10 AND 14 POS CONNECTORS.
- ⑤ THESE CONNECTORS CAN BE USED IN CONJUNCTION WITH STRAIN-RELIEF COVERS OF PARTNR: 100103.
- ⑥ THERE IS NO POLARIZATION-SLOT AT THIS END IN 6 POS CONNECTORS.
- ⑦ PRODUCT SPECIFICATION 108-19033.



COMPONENT NAME	MATERIAL	PLATING / COLOUR
③ RECEPTACLE CONTACT	PHOSPHORBRONZE Cu Sn6	AT CONTACT-PLACE: 0,8µ GOLD AT WIRING END: 2,5µ TIN ENTIRE UNDERCOATING: 1,27µ NICKEL
② COVER	THERMOPLASTIC POLYESTER GF UL 94 -V0	GREY RAL 7032 ONLY FOR REF.
① HOUSING		



QTY	WGT	POS	POS	PARTNO	REV
500	85,9	64	32	6-215915-4	D
500	80,8	60	30	6-215915-0	D
500	68,1	50	25	5-215915-0	D
OBSOLETE	1500	60,5	44	4-215915-4	D
750	55,4	40	20	4-215915-0	D
OBSOLETE	1500	47,8	34	3-215915-4	D
OBSOLETE	1500	42,7	30	3-215915-0	D
1500	37,6	26	13	2-215915-6	D
1500	30,0	20	10	2-215915-0	D
1500	24,9	16	8	1-215915-6	D
1500	22,4	14	7	1-215915-4	D
1500	17,3	10	5	1-215915-0	D
OBSOLETE	1500	14,8	8	0-215915-8	B
1500	12,2	6	3	0-215915-6	D
OBSOLETE	1500	9,7	4	0-215915-4	B
QUANTITY PER REEL	DIM."C"	"B" CABLE POS.	"A" DUAL POS.	PARTNUMBER ④	PART REV.



THIS DRAWING IS A CONTROLLED DOCUMENT.

DWN R.HOGEVEEN 02-02-88		AMP-LATCH MIL-TYPE RECEPT. CONN. ASS'Y 14,9 PRE-ASSEMBLED 0.8µm SELECTIVE GOLDPLATE ④		
CHK R.VERSTIJNEN 03-02-88		SIZE A2	CAGE CODE 00779	DRAWING NO C-215915
APVD L.V.SOEST 03-02-88		SCALE 5:1	SHEET 1 of 1	REV E
PRODUCT SPEC		CUSTOMER DRAWING		

TOLERANCES UNLESS OTHERWISE SPECIFIED:

0 PLC	±	-
1 PLC	±	-
2 PLC	±	-
3 PLC	±	-
4 PLC	±	-
ANGLES	±	-
FINISH	-	-

X-ON Electronics

Largest Supplier of Electrical and Electronic Components

Click to view similar products for [Headers & Wire Housings](#) category:

Click to view products by [TE Connectivity](#) manufacturer:

Other Similar products are found below :

[892-18-020-10-001101](#) [58102-G61-06LF](#) [582553-1](#) [0009485154](#) [009176003701906](#) [0050291907](#) [LY20-4P-DT1-P1E-BR](#) [02.125.8002.8](#)
[609-3404](#) [61062-3](#) [61082-181009](#) [622-3653LF](#) [63453-116](#) [636-1030](#) [636-1427](#) [636-3427](#) [636-4007](#) [641938-9](#) [641991-4](#) [644827-2](#) [65817-](#)
[010LF](#) [65817-015LF](#) [65863-015LF](#) [66207-023LF](#) [67095-007LF](#) [67601157](#) [68645-018](#) [68648-049](#) [70.362.1628.0](#) [70-4210](#) [70-4226B](#) [70-](#)
[4853B](#) [707-5020](#) [707-5028](#) [71.350.2428.0](#) [71918-208LF](#) [71961-016LF](#) [733-134](#) [733-162](#) [754199-000](#) [760-3052](#) [79531-3000](#) [FCN-](#)
[360C032-B](#) [FCN-367T-T012/H](#) [FCN-723D010/2](#) [80.063.4001.1](#) [800-90-001-10-001000](#) [800-90-010-10-002000](#) [801-43-002-10-013000](#)
[801-43-006-10-002000](#)