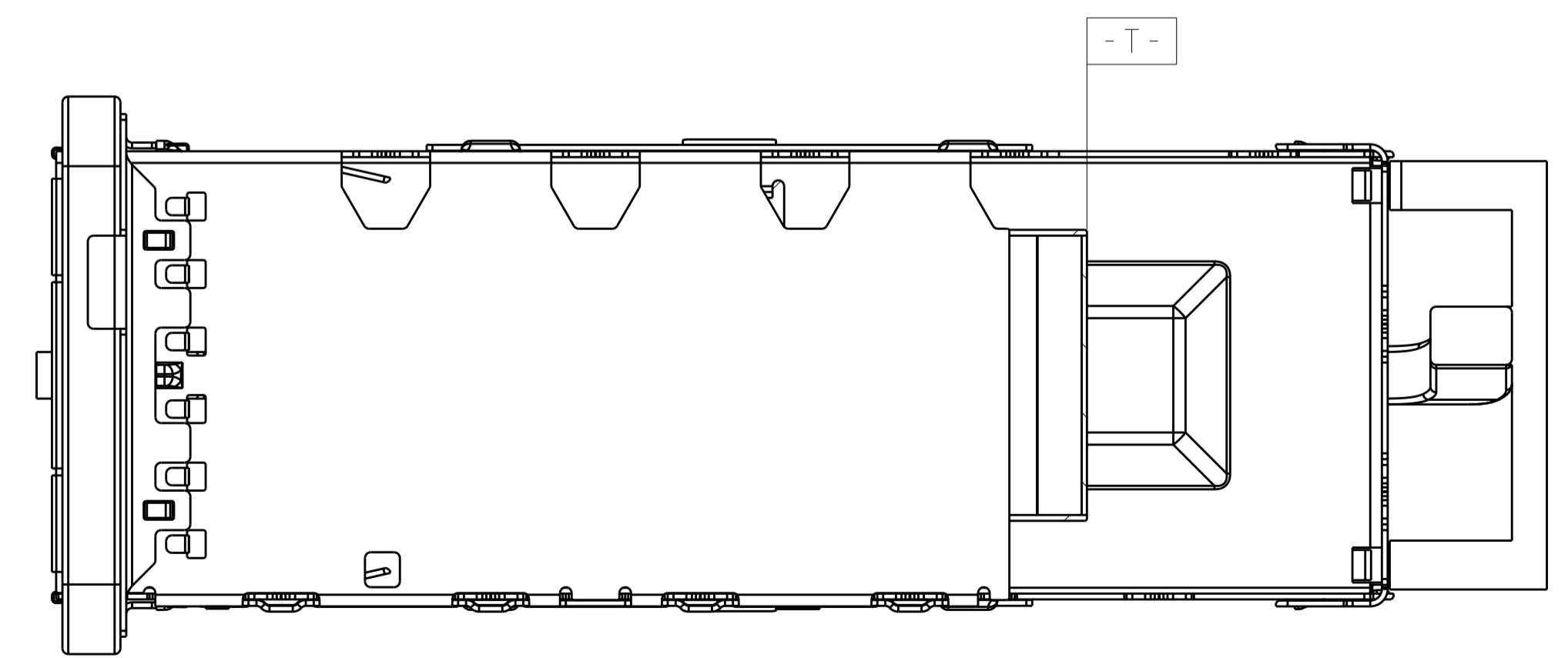
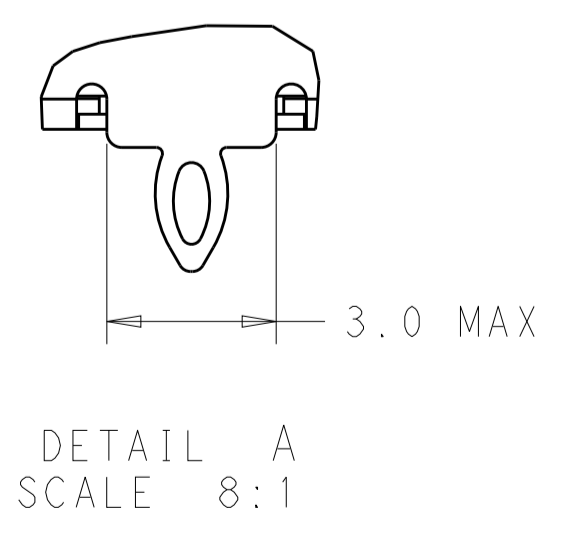
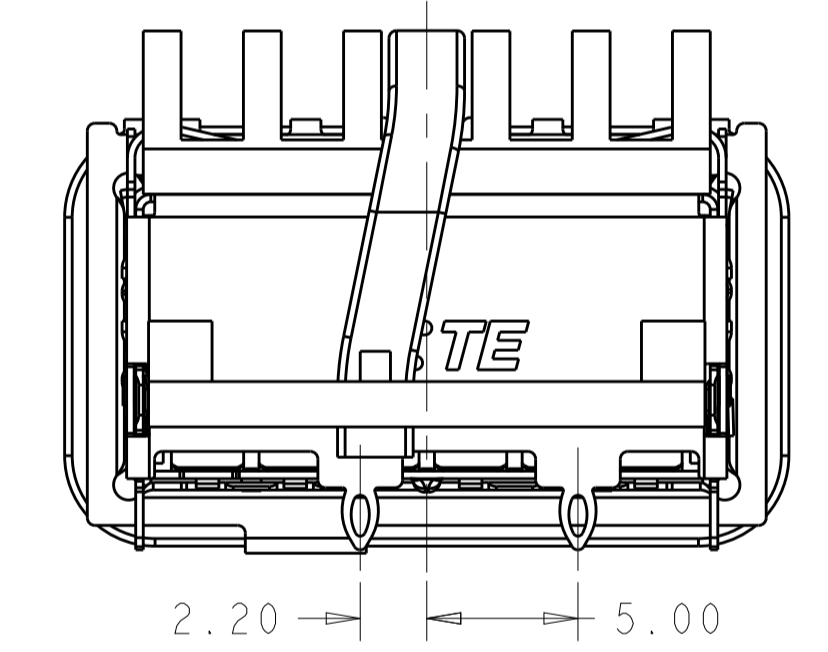
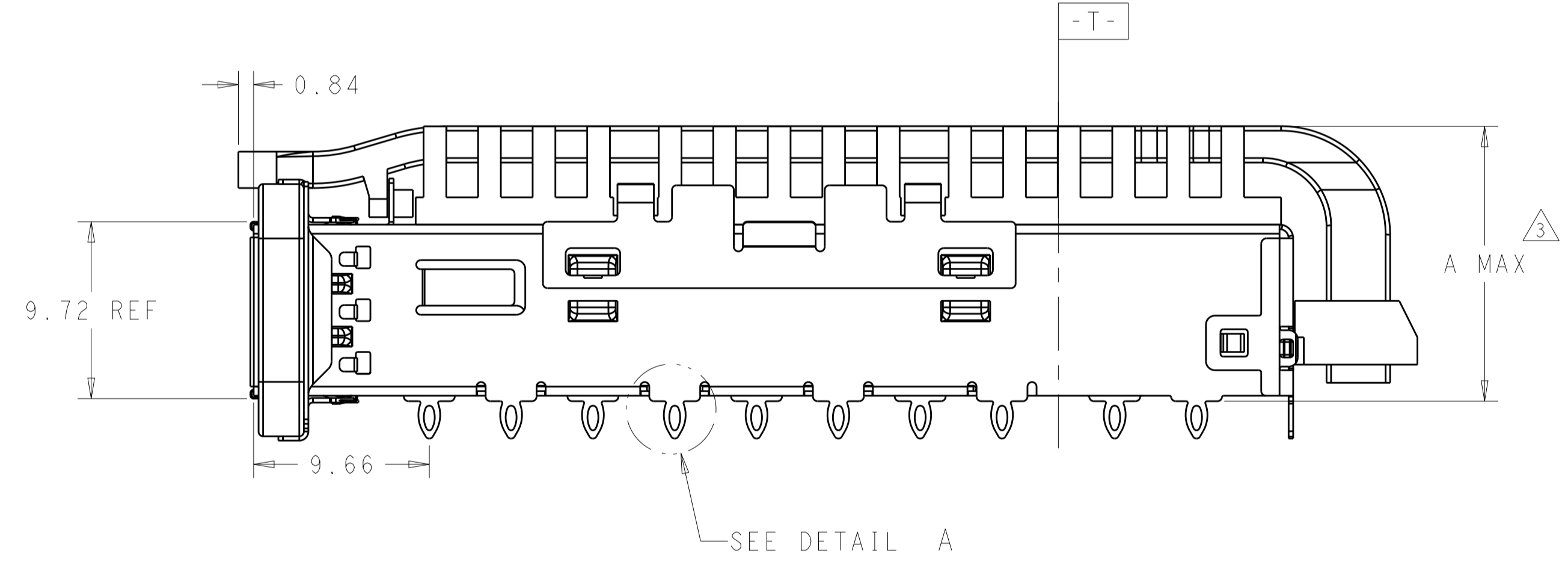
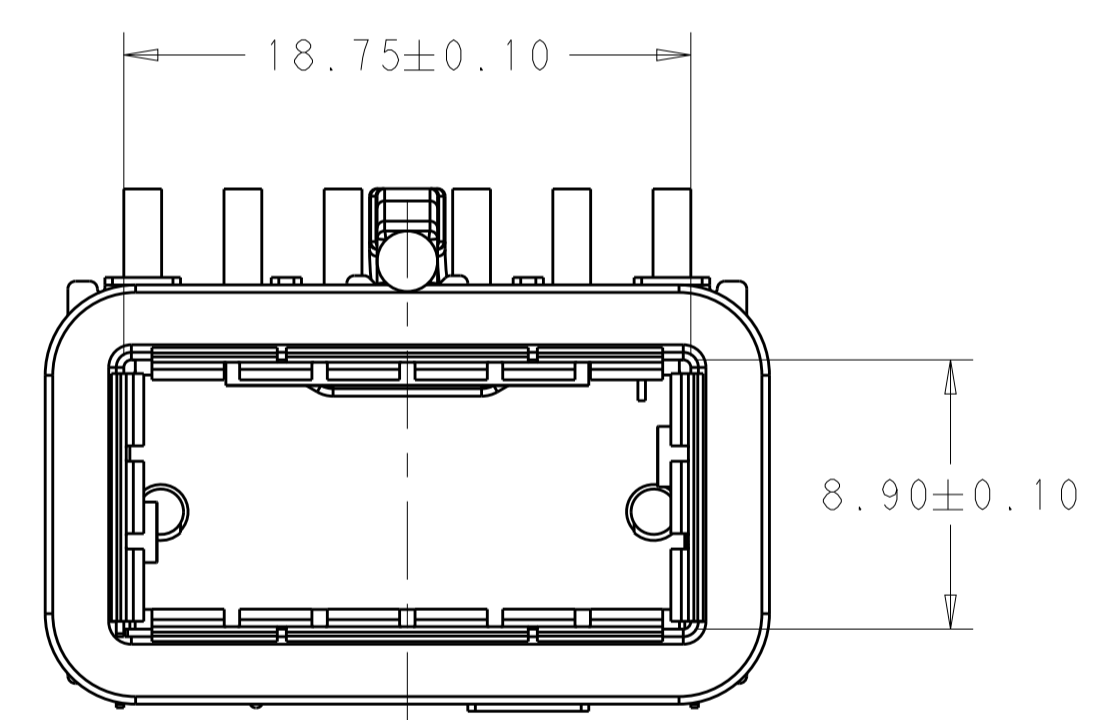
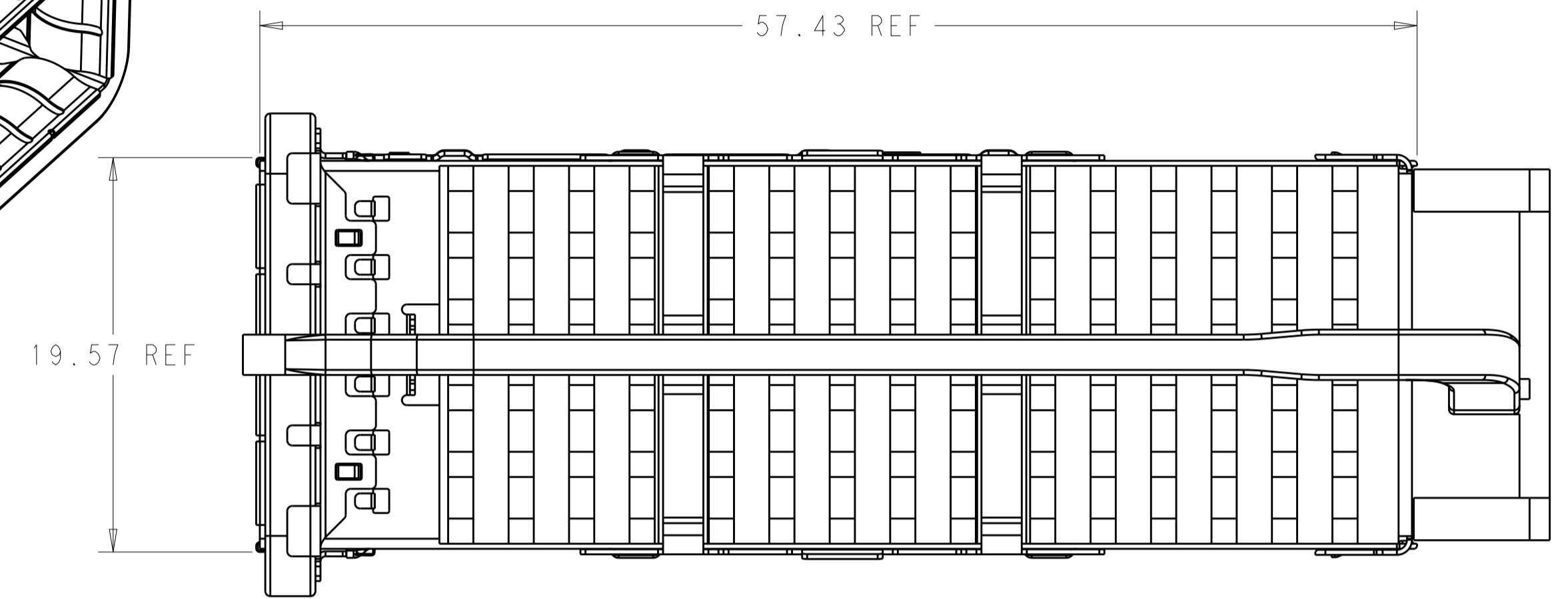
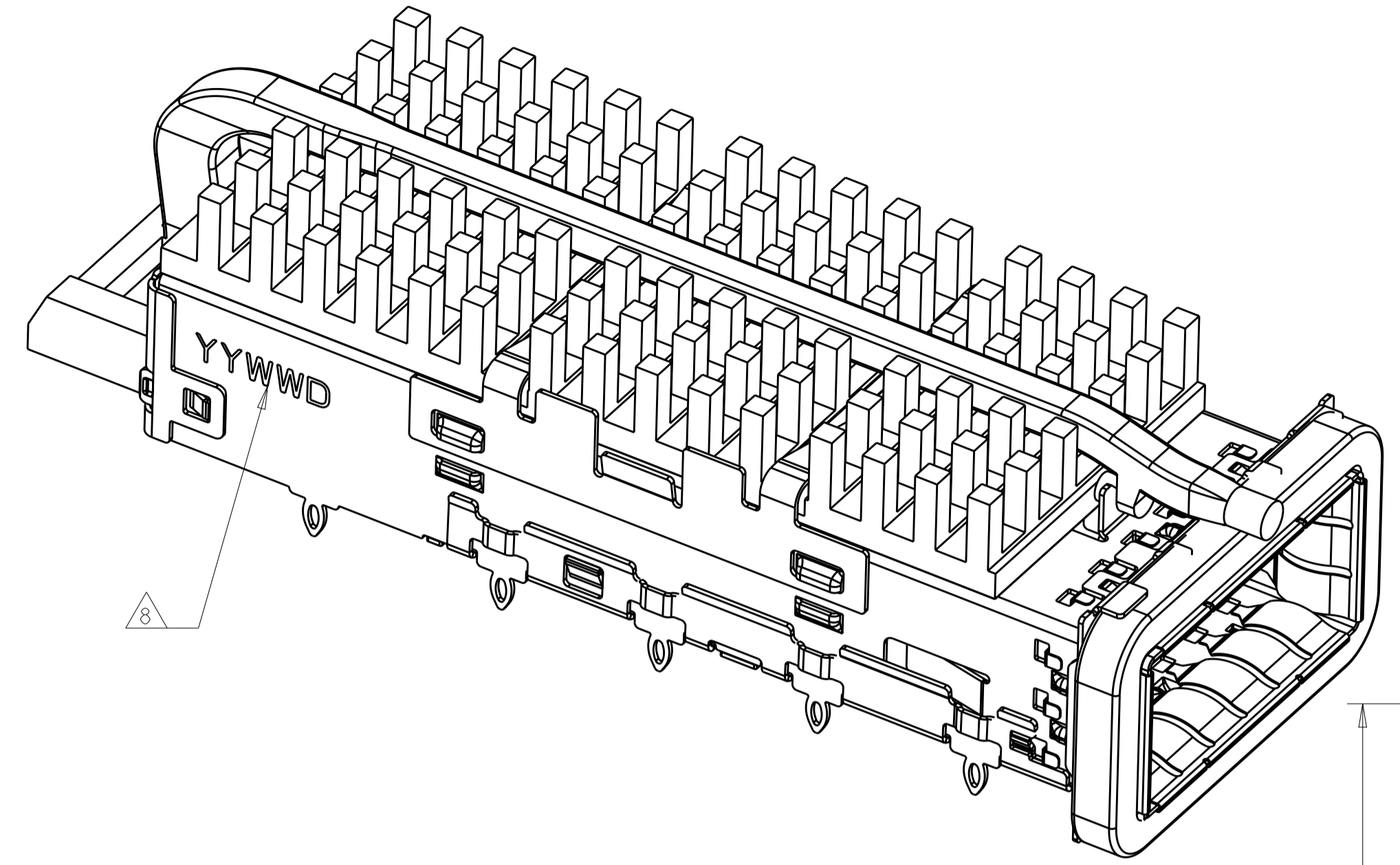


LOC	DIST	REVISIONS					
		P	LTN	DESCRIPTION	DATE	DWN	APVD
		A		RELEASE	30DEC2015	JY	SH
		B		REVISED PER ECO-19-016043	21OCT2019	SH	SH



1. MATERIAL:
 CAGE MATERIAL : 0.25 THICK NICKEL SILVER.
 SPRING MATERIAL: COPPER ALLOY
 HEAT SINK MATERIAL: ALUMINUM
 CLIP MATERIAL: STAINLESS STEEL
 LIGHT PIPE: POLYCARBONATE WITH 94 V-0
 EMI GASKET: PLATED FILLED SILICONE
 ORGANIZER MATERIAL: POLYESTER WITH 94 V-0

2. FINISH:
 SPRING: NICKEL PLATING
 HEAT SINK: BLACK ANODIZE

3. DIMENSION APPLIES WITH MODULE INSTALLED IN THE CAGE TO TOP OF HEAT SINK.

4. REFERENCE APPLICATION SPEC 114-32023 FOR RECOMMENDED DRILL HOLE DIAMETER AND PLATING THICKNESS.

5. DATUM AND BASIC DIMENSIONS ESTABLISHED BY CUSTOMERS.

6. MINIMUM PC BOARD THICKNESS :
 SINGLES SIDED: 1.57 MIN
 DOUBLE SIDED: 3.00 MIN

7. DATUM -A- IS TOP SURFACE OF THE HOST BOARD.

8. DATE CODE (YYWWD) MARKED APPROXIMATELY AS SHOWN

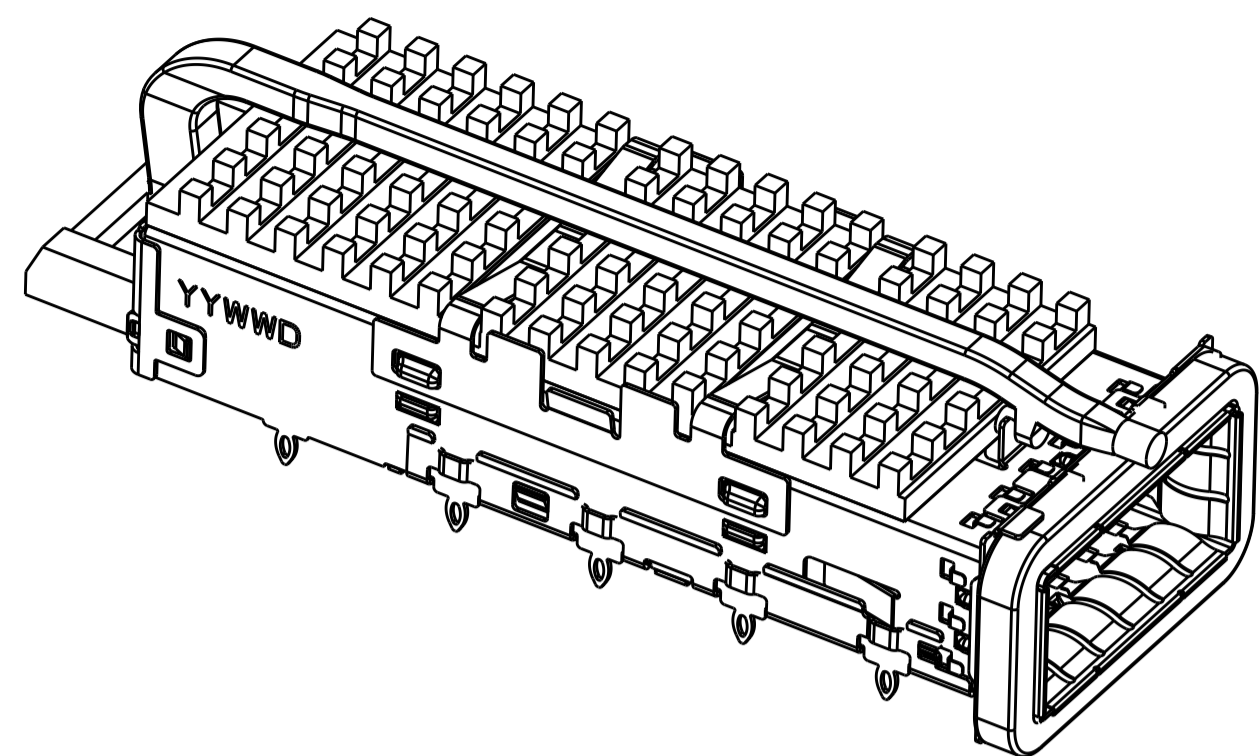
9. MATES WITH QSFP28 MSA COMPATIBLE TRANSCEIVER.

2170754-2 AS SHOWN

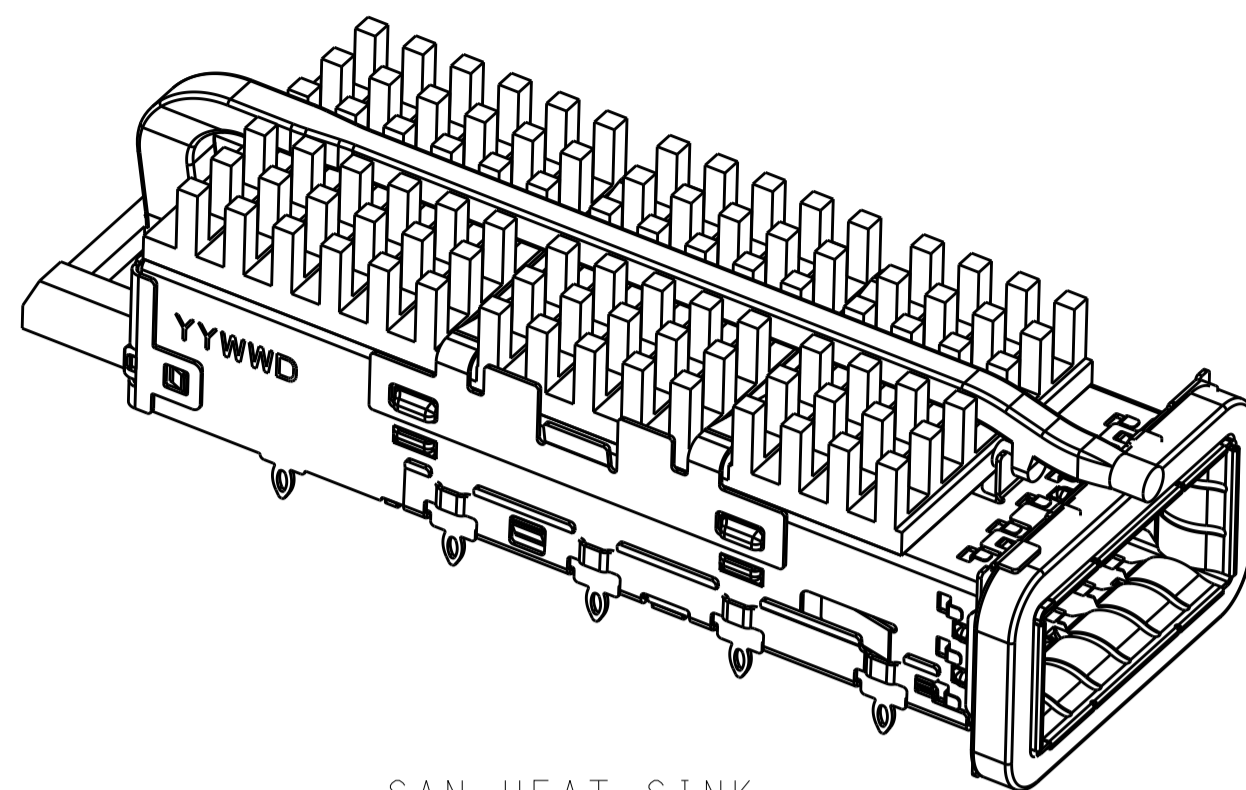
THIS DRAWING IS A CONTROLLED DOCUMENT.		DWN: JASON YANG 01APR2014	TE Connectivity
		CHK: SEAN HAN 30DEC2015	
DIMENSIONS:		PRODUCT SPEC	NAME: CAGE ASSEMBLY, QSFP28 1X1, THRU BEZEL, WITH EMI GASKET, HEAT SINK, LIGHT PIPE SIZE: CAGE CODE DRAWING NO: A100779C-2170754 RESTRICTED TO:
TOLERANCES UNLESS OTHERWISE SPECIFIED: mm: 0 PLC ±0.25, 1 PLC ±0.25, 2 PLC ±0.25, 3 PLC ±0.25, 4 PLC ±0.100, 5 PLC ±0.100, ANGLES ±°		APPLICATION SPEC: 108-19428 APPLICATION SPEC: 114-32023 WEIGHT:	
MATERIAL:		FINISH:	CUSTOMER DRAWING: SCALE 2:1 SHEET 1 OF 7 REV B

LOC		DIST		REVISIONS			
P	LYR	DESCRIPTION	DATE	OWN	APVD		
-	-	SEE SHEET 1	-	-	-		

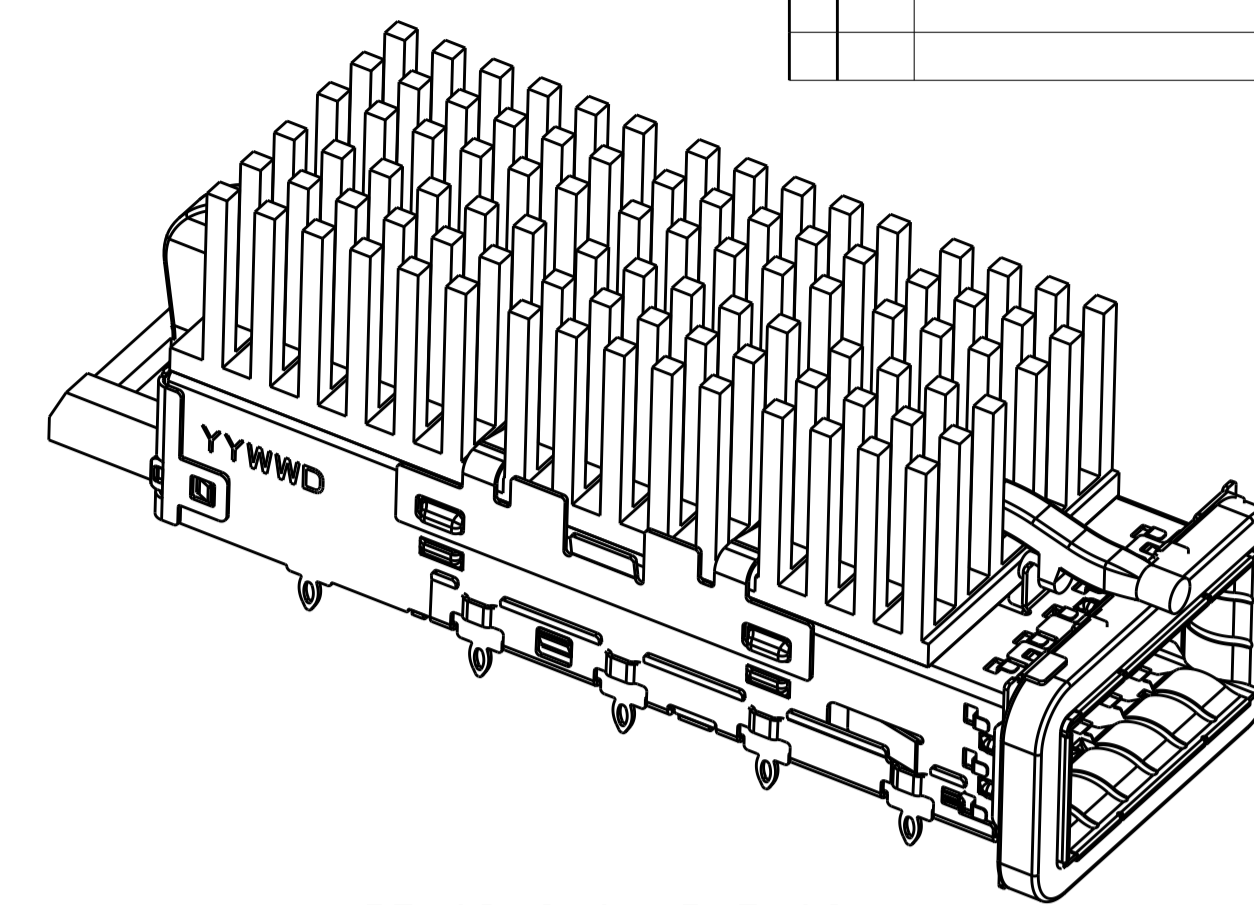
HEAT SINK OPTIONS



PCI HEAT SINK
SCALE 5:2

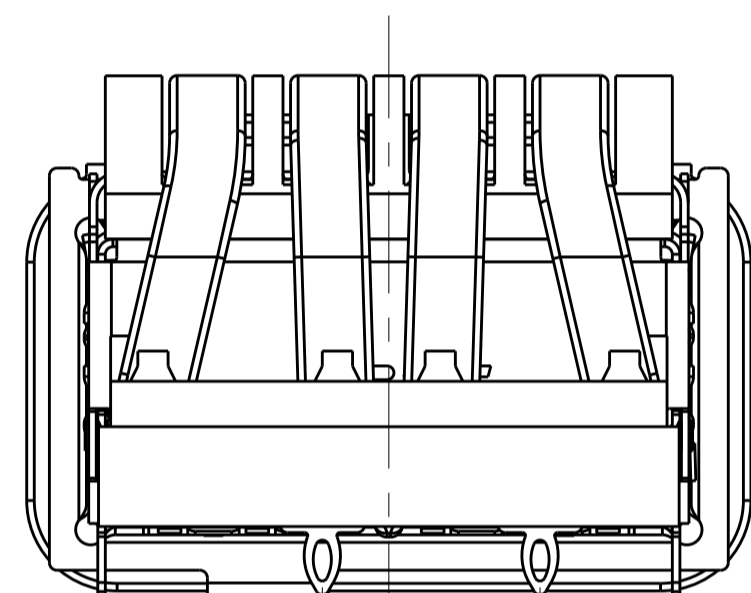


SAN HEAT SINK
SCALE 5:2



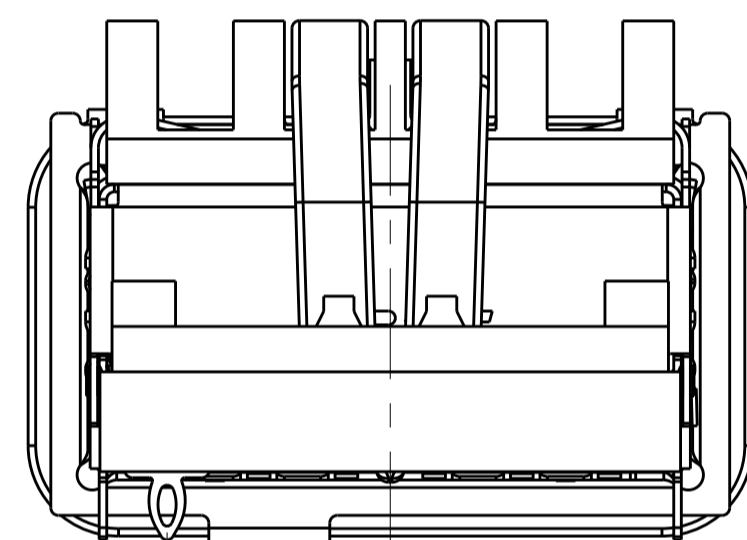
NETWORKING HEAT SINK
SCALE 5:2

OF REAR LEGS OPTIONS



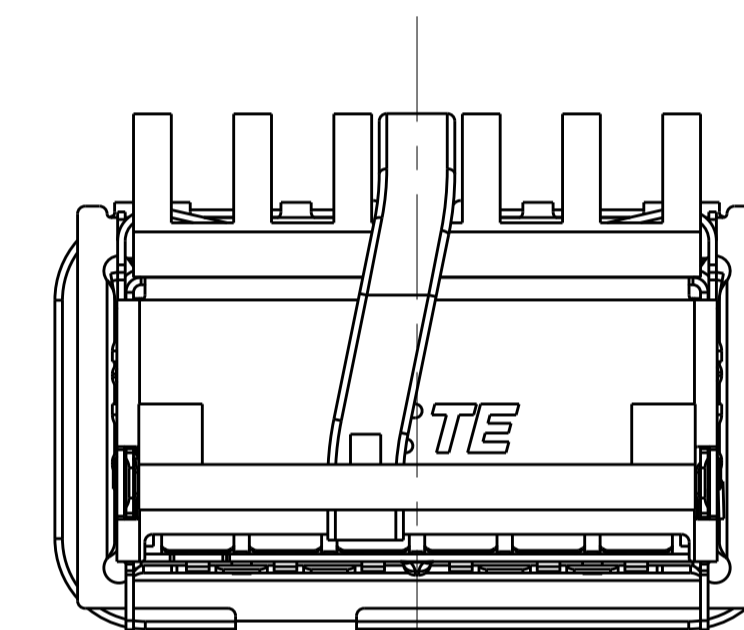
(2.20) (5.00)

2 REAR LEGS
SCALE 4:1



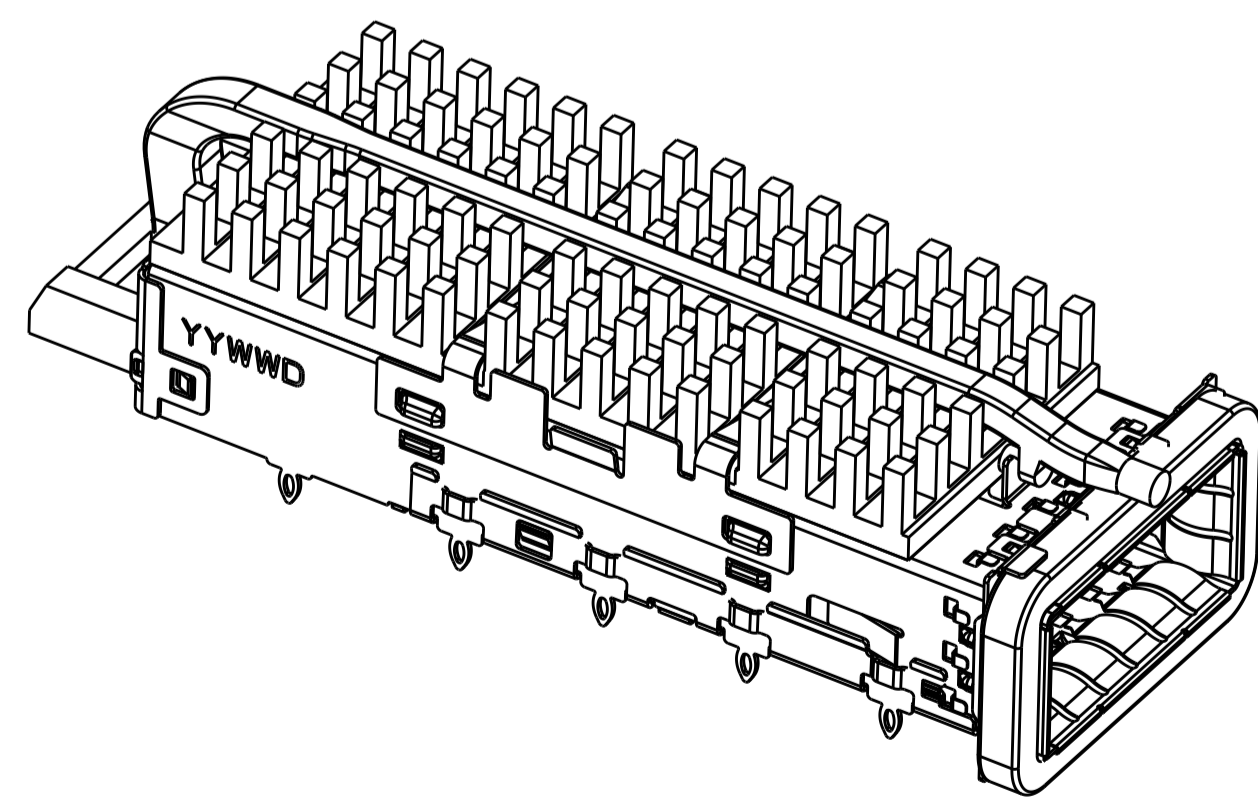
7.38

1 REAR LEG
SCALE 4:1

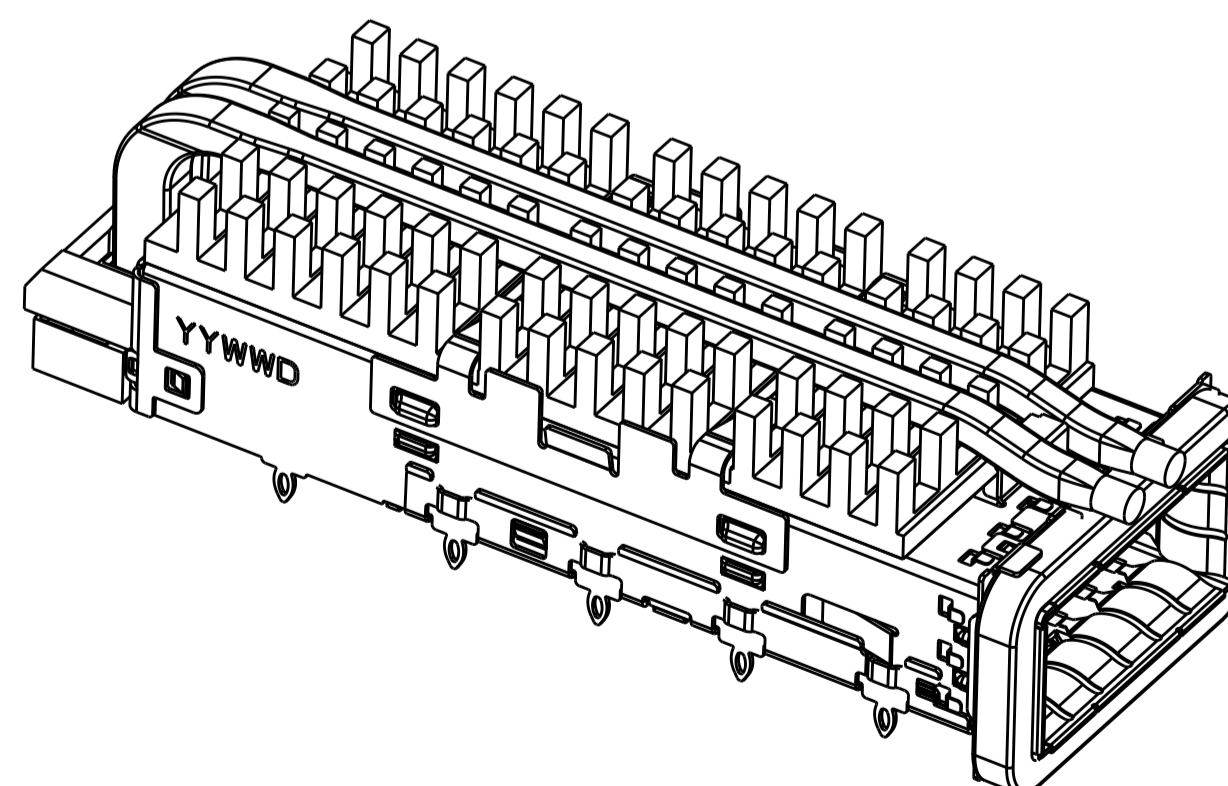


0 REAR LEG
SCALE 4:1

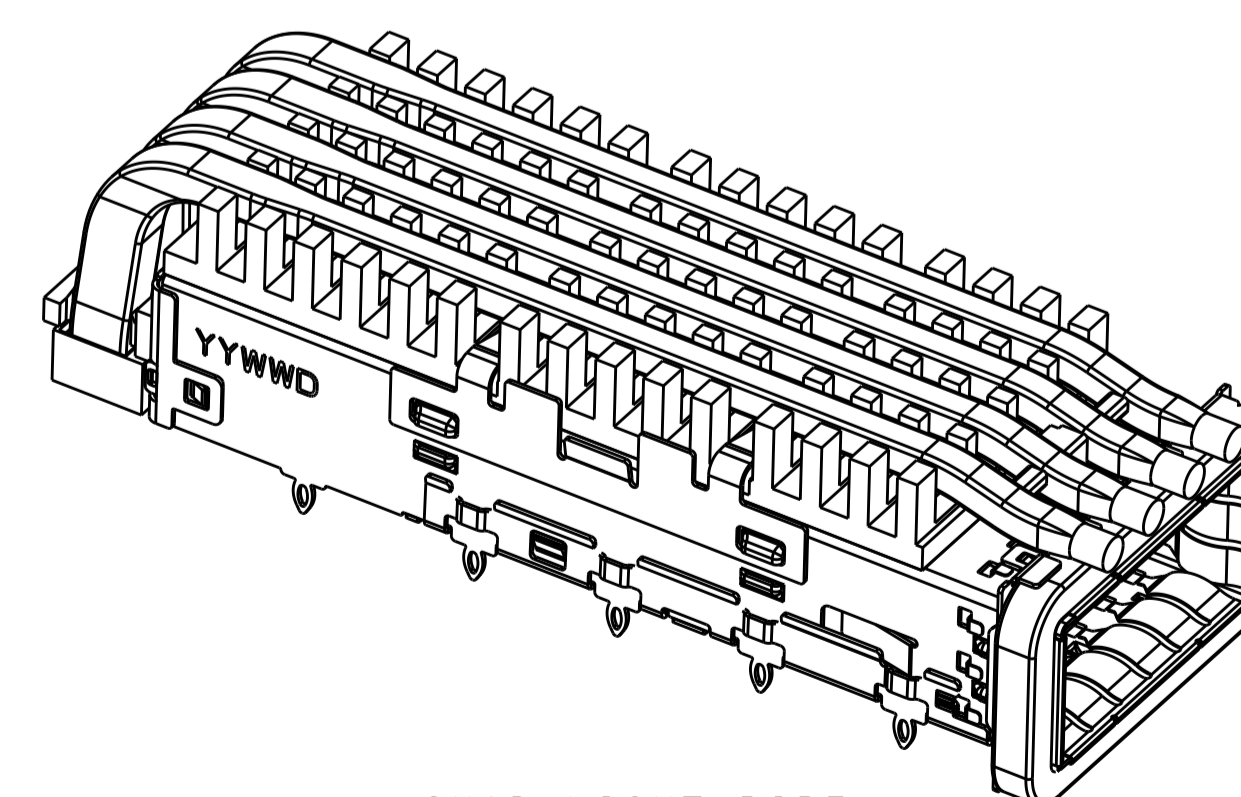
LIGHT PIPE OPTIONS



SINGLE LIGHT PIPE
SCALE 5:2



DUAL LIGHT PIPE
SCALE 5:2


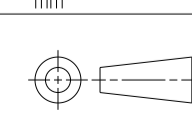


QUAD LIGHT PIPE
SCALE 5:2

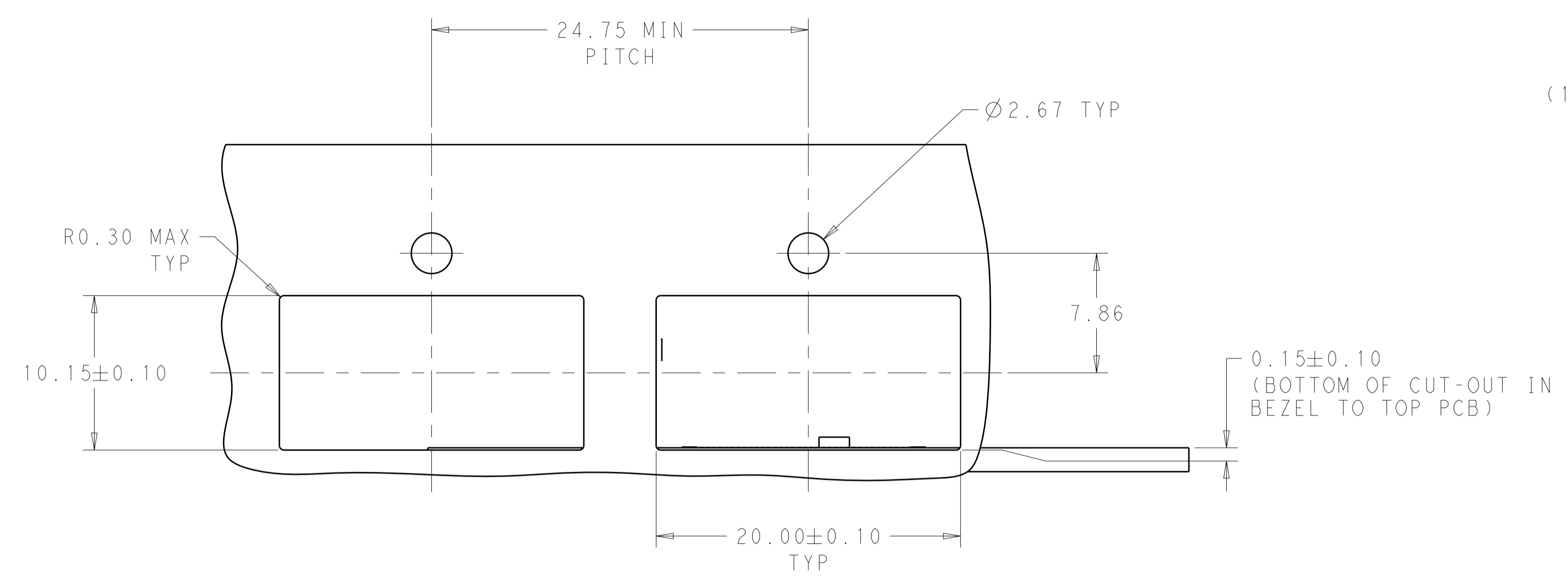
THIS DRAWING IS A CONTROLLED DOCUMENT.		OWN: JASON YANG 01APR2014	
		CHK: SEAN HAN 30DEC2015	
DIMENSIONS:		NAME: CAGE ASSEMBLY, QSFP28 1X1, THRU BEZEL, WITH EMI GASKET HEAT SINK, LIGHT PIPE	
TOLERANCES UNLESS OTHERWISE SPECIFIED:		PRODUCT SPEC: 108-19428	
mm		APPLICATION SPEC: 114-32023	
0 PLC ±0.25		SIZE: A100779C=2170754	
1 PLC ±0.25		CAGE CODE: 114-32023	
2 PLC ±0.25		WEIGHT: -	
3 PLC ±0.25		MATERIAL: -	
4 PLC ±0.100		FINISH: -	
ANGLES ±°		Customer Drawing	
MATERIAL: -		SCALE: 4:1	
FINISH: -		SHEET: 2 OF 7	
		REV: B	

LOC	DIST	REVISIONS			
P	LTN	DESCRIPTION	DATE	DMN	APVD
-	-	SEE SHEET 1	-	-	-

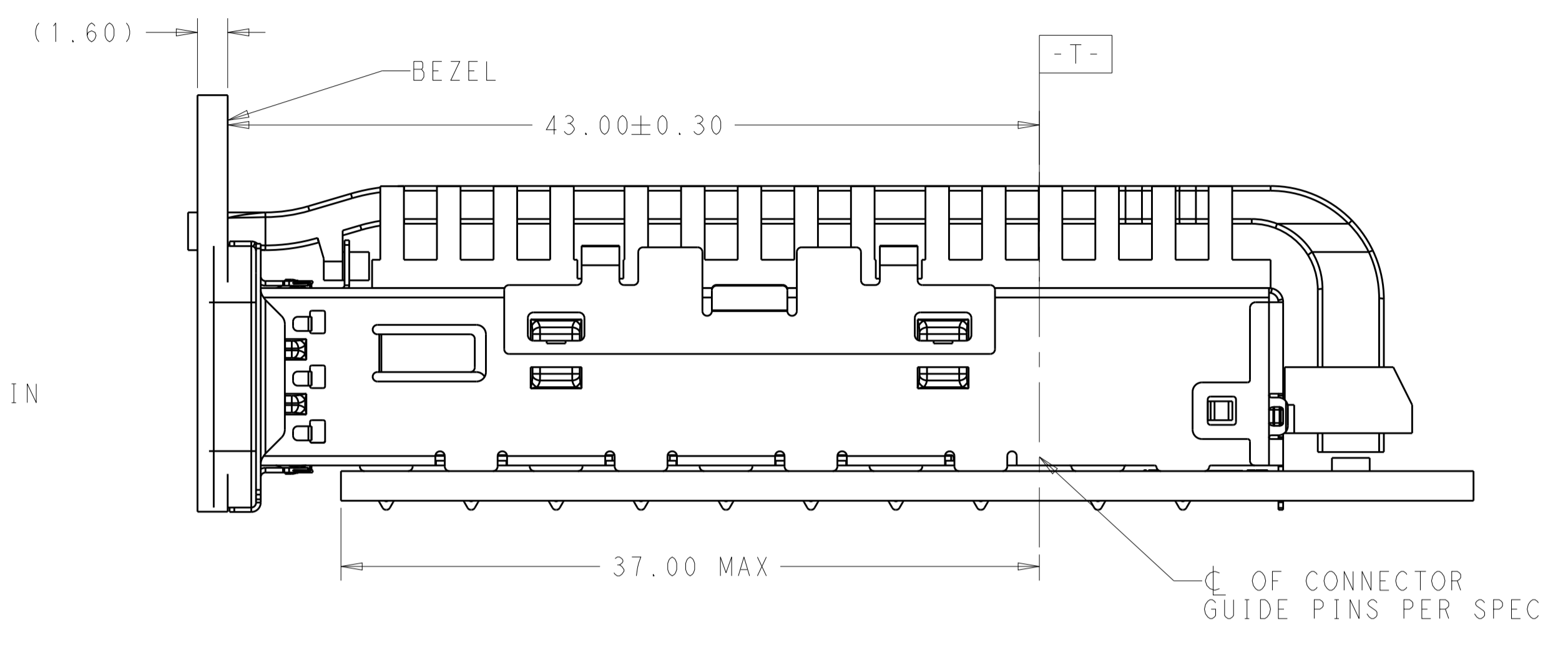
0	16.0	WITHOUT	SINGLE	1-2170754-0
1	23.0	NETWORKING	QUAD	4-2170754-9
1	16.0	SAN	QUAD	4-2170754-8
1	13.7	PCI	QUAD	4-2170754-7
0	23.0	NETWORKING	QUAD	4-2170754-6
0	16.0	SAN	QUAD	4-2170754-5
0	13.7	PCI	QUAD	4-2170754-4
2	23.0	NETWORKING	QUAD	4-2170754-3
2	16.0	SAN	QUAD	4-2170754-2
2	13.7	PCI	QUAD	4-2170754-1
1	23.0	NETWORKING	DUAL	2-2170754-9
1	16.0	SAN	DUAL	2-2170754-8
1	13.7	PCI	DUAL	2-2170754-7
0	23.0	NETWORKING	DUAL	2-2170754-6
0	16.0	SAN	DUAL	2-2170754-5
0	13.7	PCI	DUAL	2-2170754-4
2	23.0	NETWORKING	DUAL	2-2170754-3
2	16.0	SAN	DUAL	2-2170754-2
2	13.7	PCI	DUAL	2-2170754-1
1	23.0	NETWORKING	SINGLE	2170754-9
1	16.0	SAN	SINGLE	2170754-8
1	13.7	PCI	SINGLE	2170754-7
0	23.0	NETWORKING	SINGLE	2170754-6
0	16.0	SAN	SINGLESINGLE	2170754-5
0	13.7	PCI	SINGLE	2170754-4
2	23.0	NETWORKING	SINGLE	2170754-3
2	16.0	SAN	SINGLE	2170754-2
2	13.7	PCI	SINGLE	2170754-1
# REAR PINS	DIM A	APPLICATION (HEAT SINK OPTION)	LIGHT PIPE OPTION	PART NUMBER

THIS DRAWING IS A CONTROLLED DOCUMENT.		DMN JASON YANG CHK SEAN HAN	01APR2014 30DEC2015	 TE Connectivity
DIMENSIONS: mm		TOLERANCES UNLESS OTHERWISE SPECIFIED: 0 PLC ±0.25 1 PLC ±0.25 2 PLC ±0.25 3 PLC ±0.100 4 PLC ± ANGLES ±°		
		PRODUCT SPEC 108-19428 APPLICATION SPEC 114-32023		NAME CAGE ASSEMBLY, QSFP28 1X1, THRU BEZEL, WITH EMI GASKET HEAT SINK, LIGHT PIPE
MATERIAL		WEIGHT		SIZE A100779
-		-		CAGE CODE C=2170754
-		Customer Drawing		RESTRICTED TO - SCALE 4:1 SHEET 3 OF 7 REV B

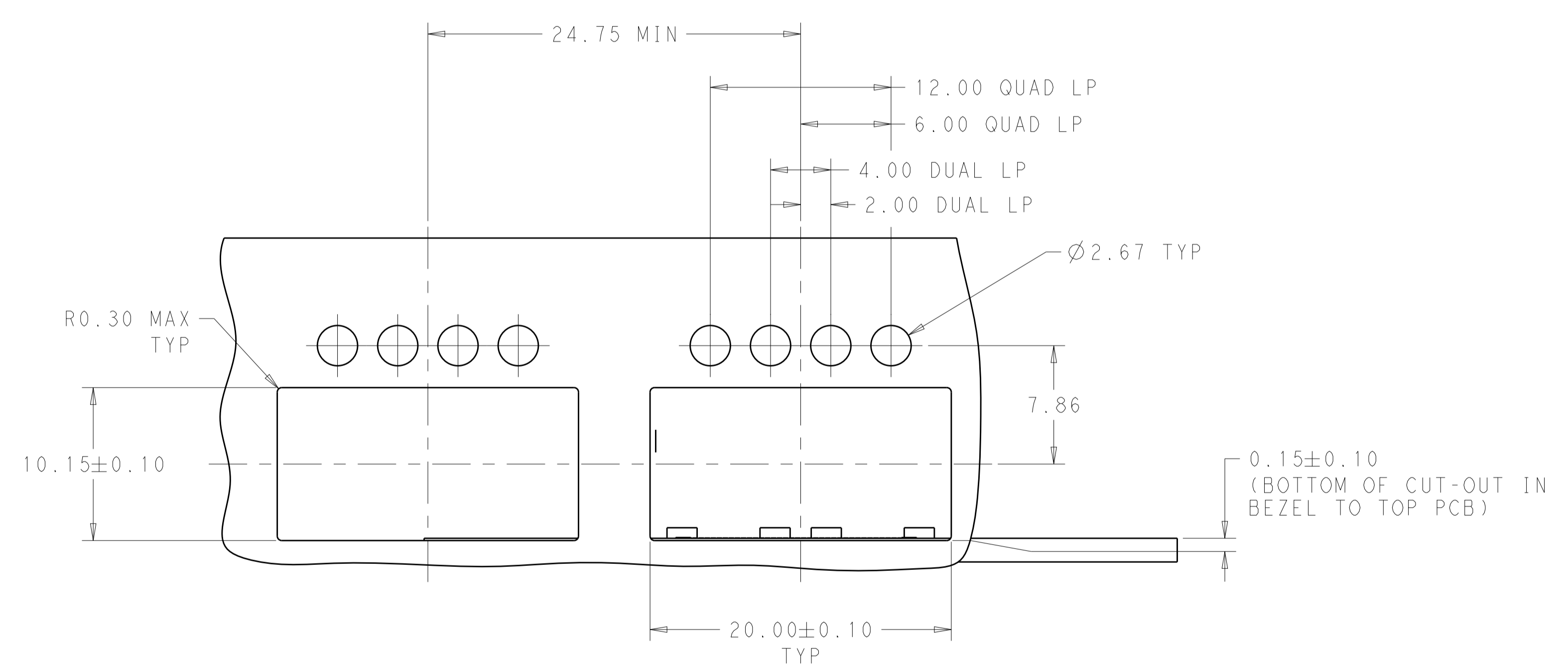
LOC		DIST		REVISIONS			
P	LTN	DESCRIPTION	DATE	DWN	APVD		
-	-	SEE SHEET 1	-	-	-		



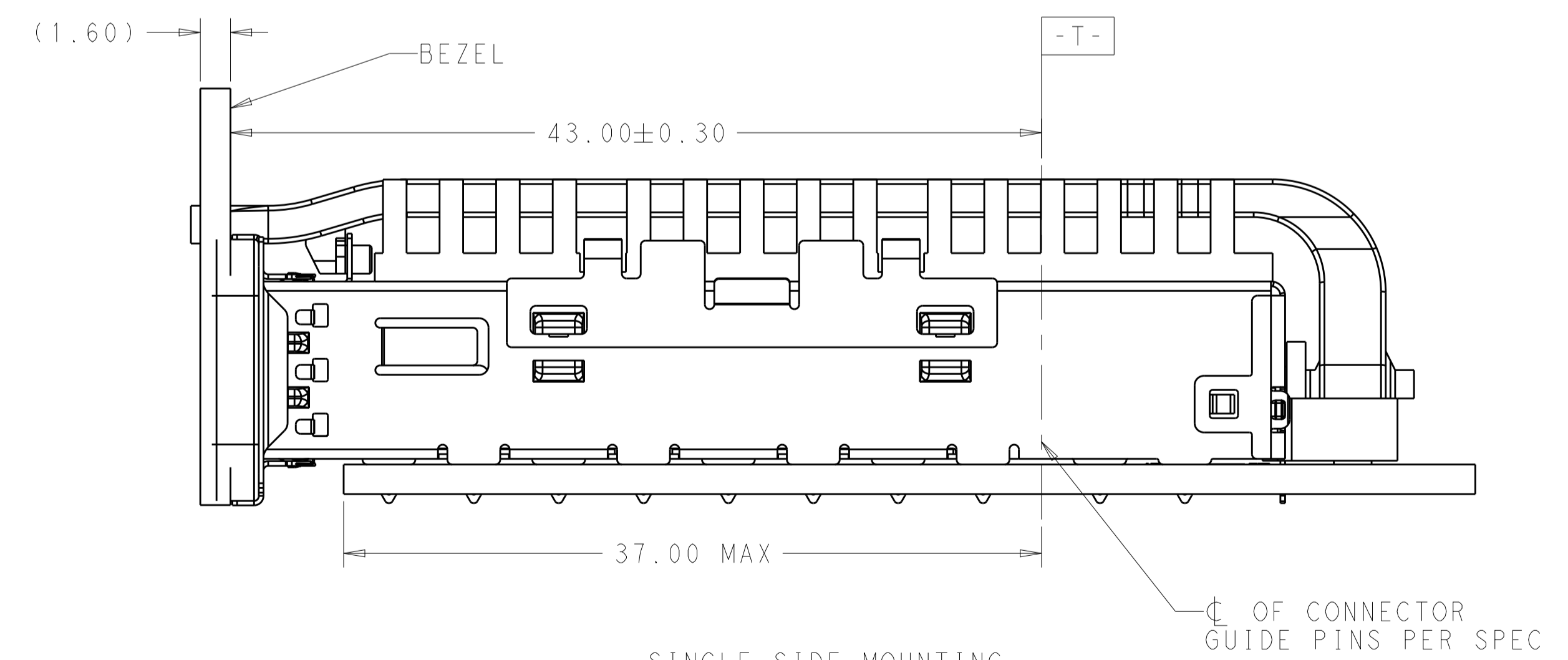
SINGLE LIGHT PIPE TYPE



SINGLE SIDE MOUNTING SCALE 4:1



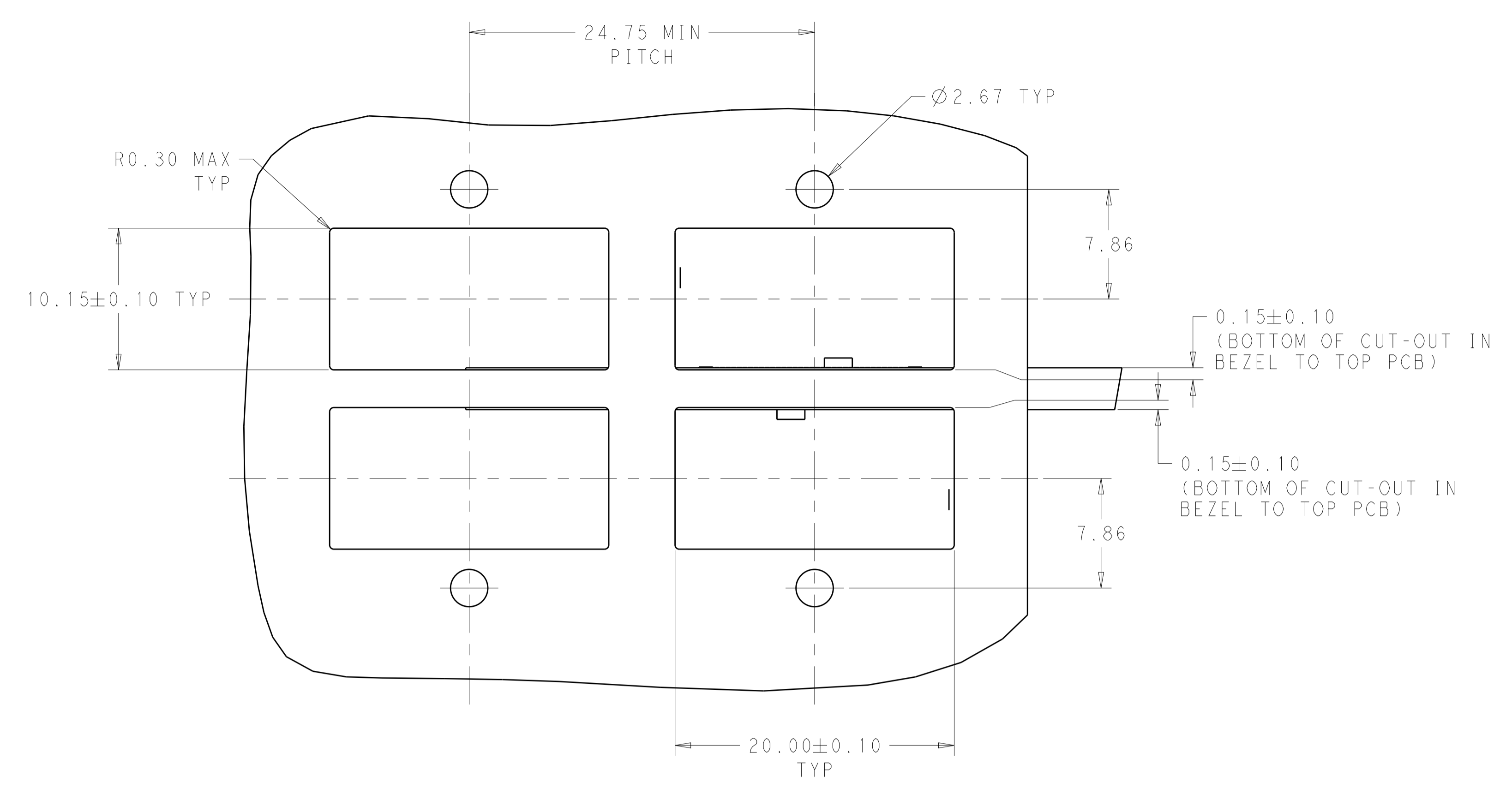
DUAL/QUAD LIGHT PIPE TYPE



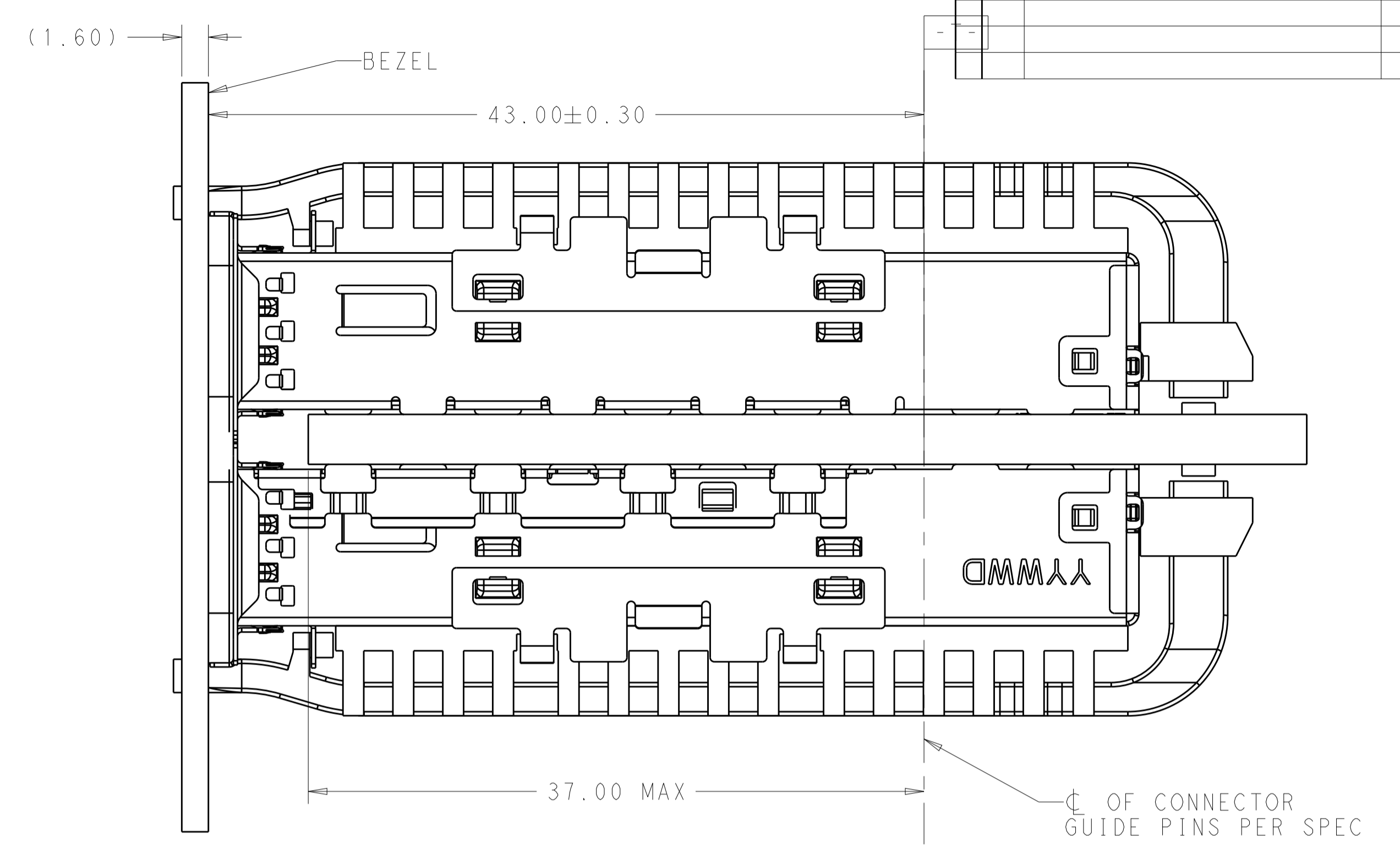
SINGLE SIDE MOUNTING SCALE 4:1

THIS DRAWING IS A CONTROLLED DOCUMENT.		DWN: JASON YANG 01APR2014	TE Connectivity
DIMENSIONS: mm		CHK: SEAN HAN 30DEC2015	
TOLERANCES UNLESS OTHERWISE SPECIFIED:		APVD: -	NAME: CAGE ASSEMBLY, QSFP28 1X1, THRU BEZEL, WITH EMI GASKET HEAT SINK, LIGHT PIPE
0 PLC	±0.25	PRODUCT SPEC	SIZE: A1
1 PLC	±0.25	108-19428	CAGE CODE: 114-32023
2 PLC	±0.20	APPLICATION SPEC	DRAWING NO: 2170754
3 PLC	±0.100	WEIGHT: -	RESTRICTED TO: -
4 PLC	±	Customer Drawing	SCALE: 4:1 SHEET: 4 OF 7 REV: B
ANGLES	±		
FINISH	-		

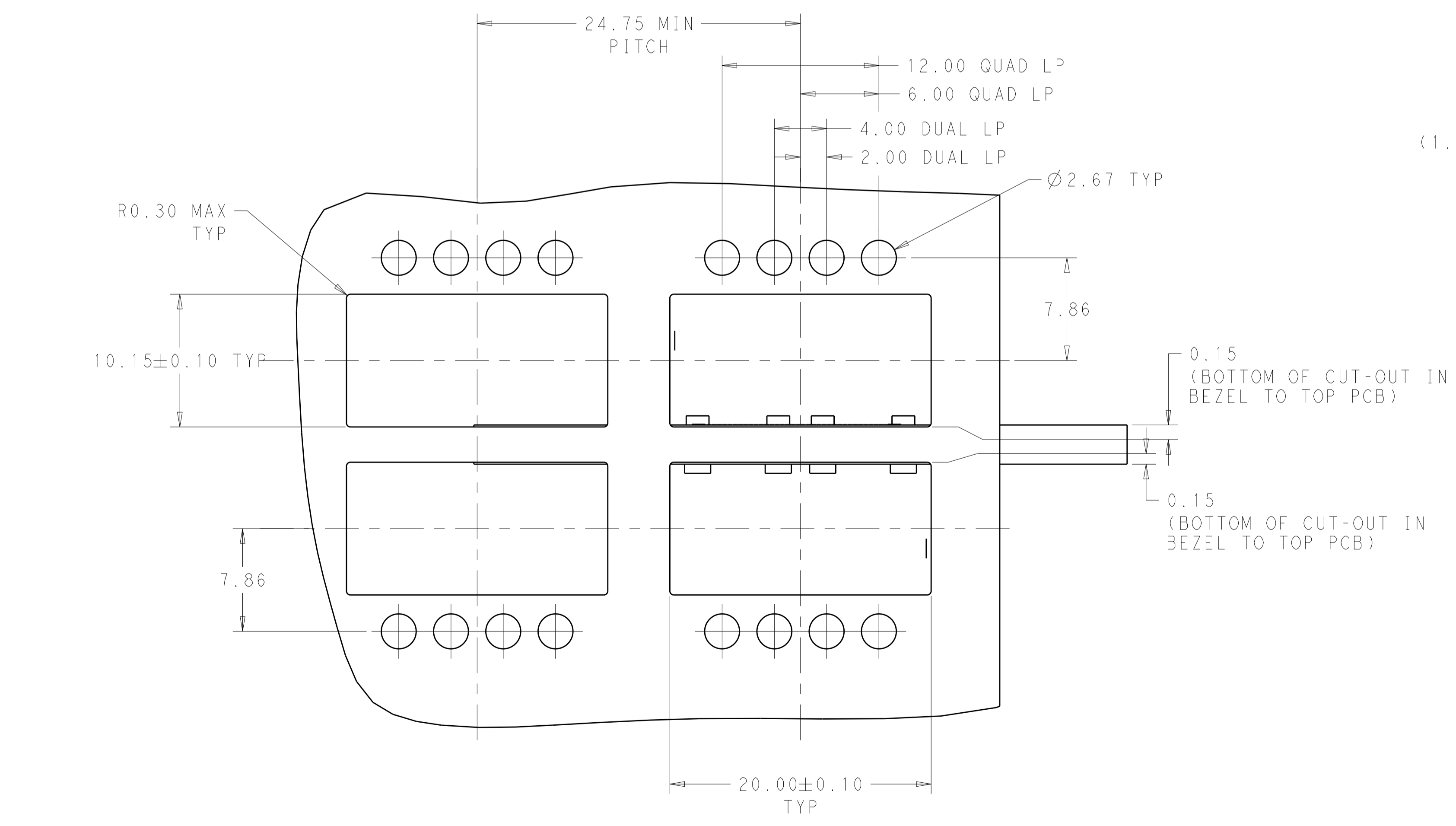
LOC	DIST	REV	DATE	BY	APPV
		1			



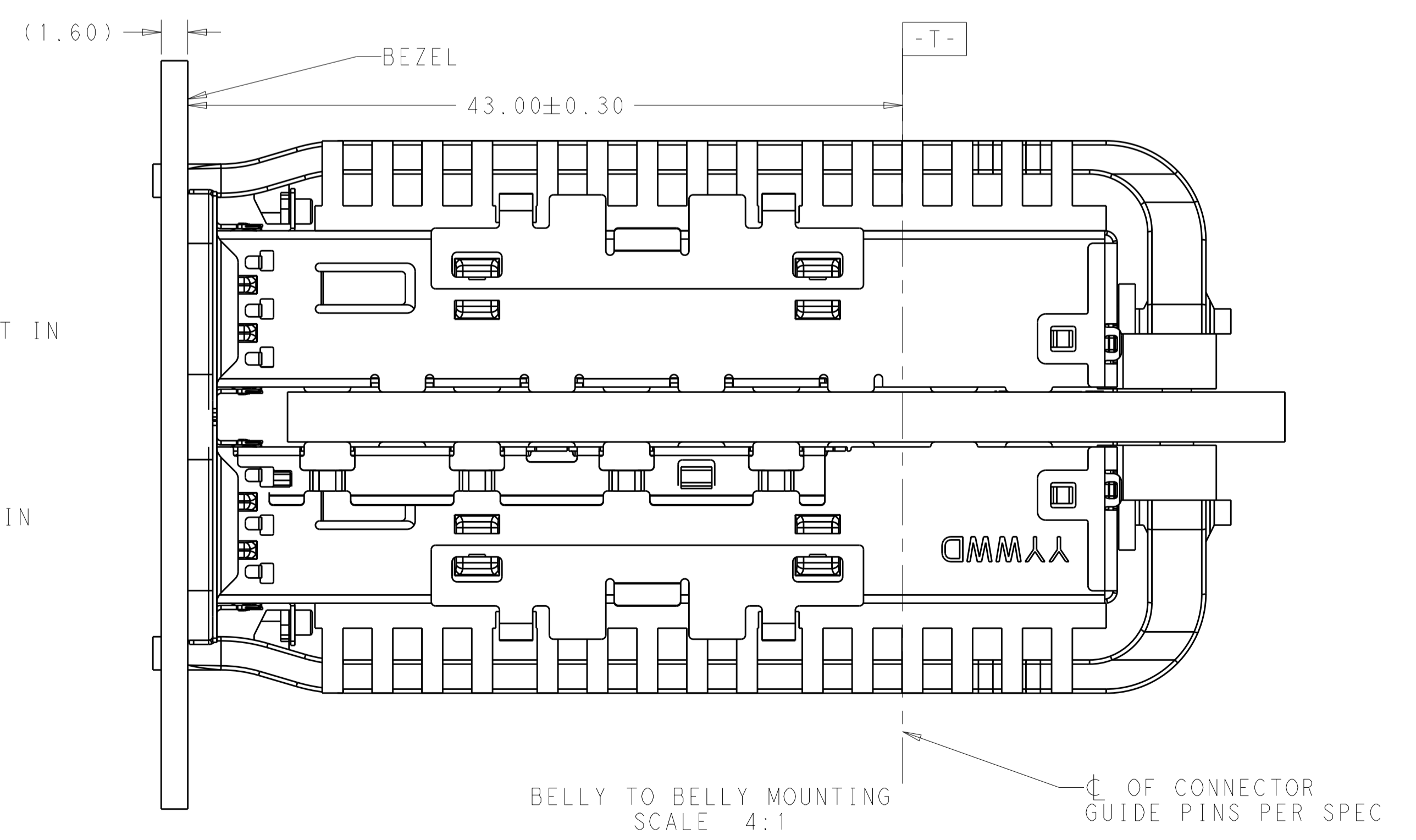
SINGLE LIGHT PIPE TYPE



BELLY TO BELLY MOUNTING
SCALE 4:1



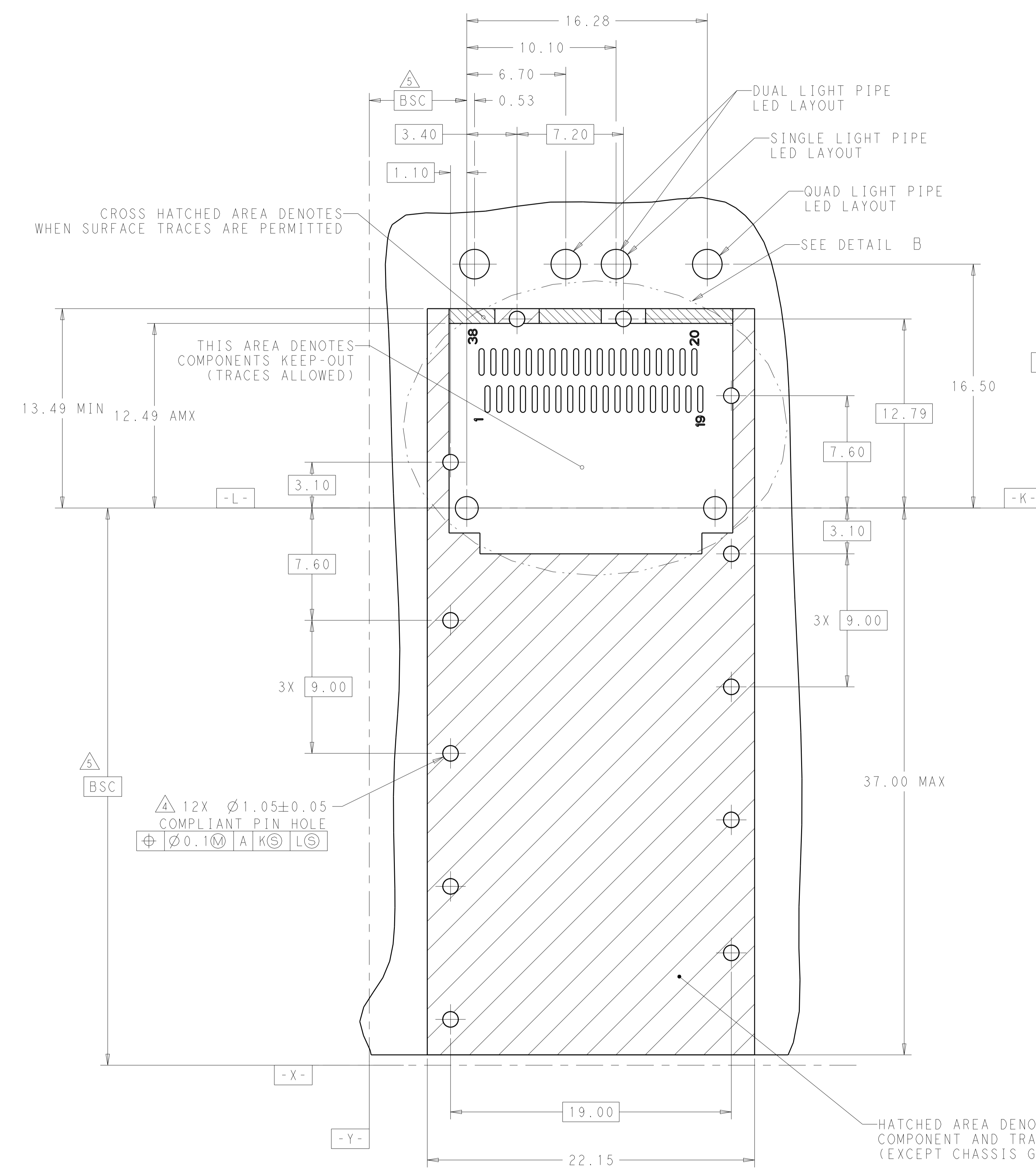
DUAL/QUAD LIGHT PIPE TYPE



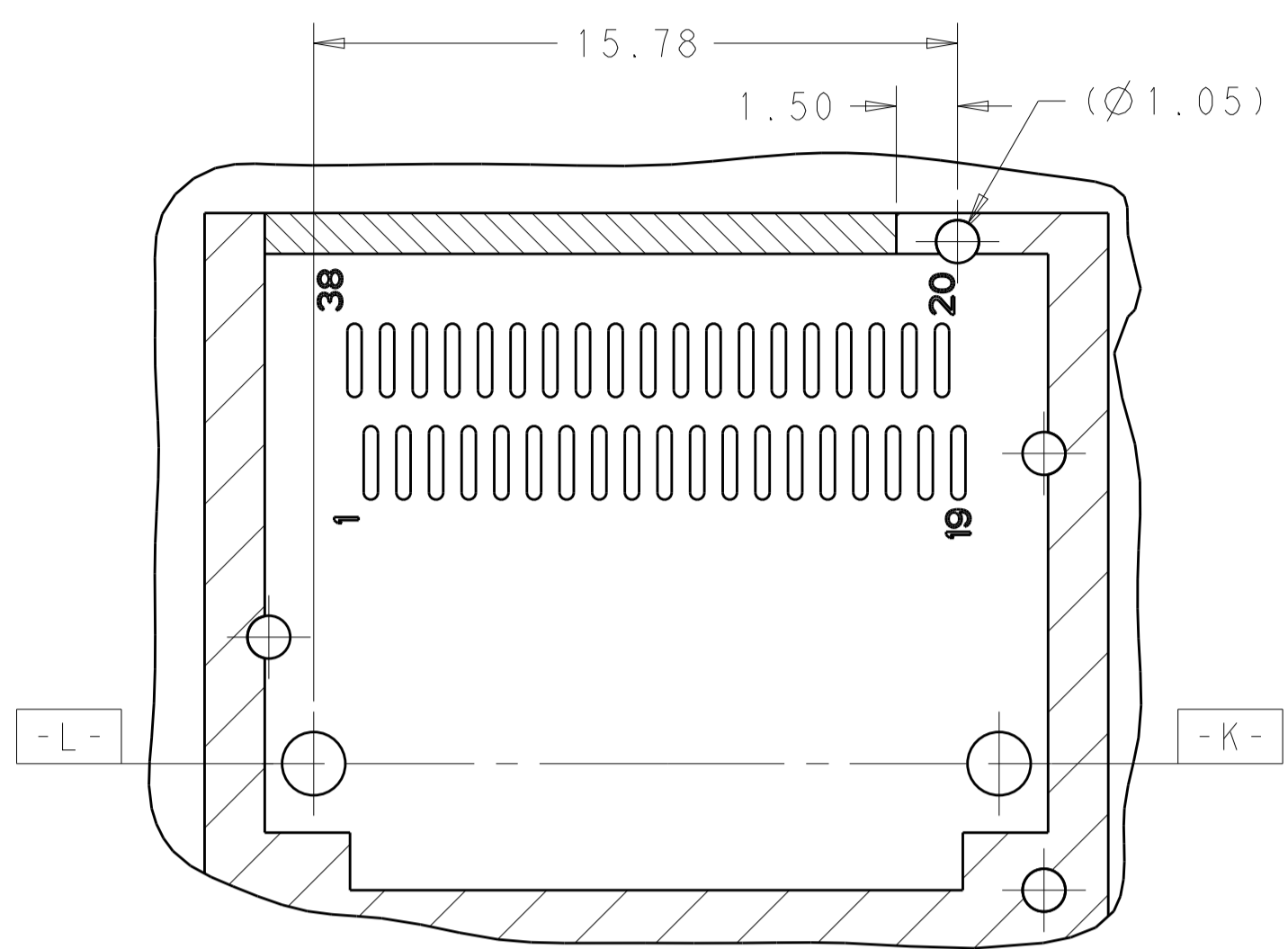
BELLY TO BELLY MOUNTING
SCALE 4:1

THIS DRAWING IS A CONTROLLED DOCUMENT.		OWN: JASON YANG 01APR2014	TE Connectivity
		CHK: SEAN HAN 30DEC2015	
DIMENSIONS:	TOLERANCES UNLESS OTHERWISE SPECIFIED:	APVD:	NAME:
mm	0 PLC ±0.25	PRODUCT SPEC	CAGE ASSEMBLY, QSP28 1X1,
	1 PLC ±0.25	108-19428	THRU BEZEL, WITH EMI GASKET
	2 PLC ±0.20	APPLICATION SPEC	HEAT SINK, LIGHT PIPE
	3 PLC ±0.100	SIZE: CAGE CODE DRAWING NO	RESTRICTED TO
	4 PLC ±	114-32023	A100779C=2170754
MATERIAL:	FINISH:	WEIGHT:	SCALE 4:1 SHEET 5 OF 7 REV B
		Customer Drawing	

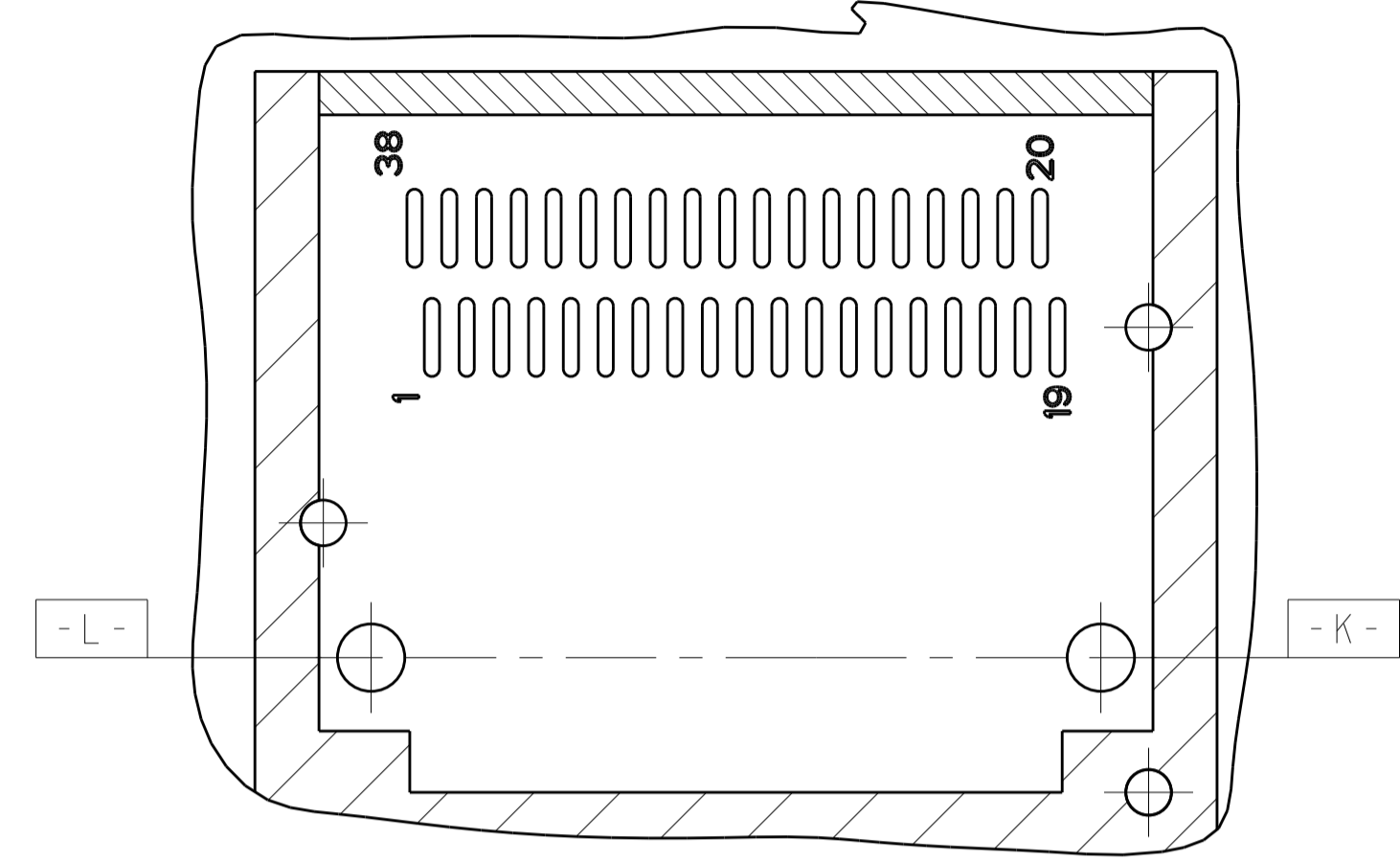
LOC	DIST	REV	DATE	BY	APPV
		1			



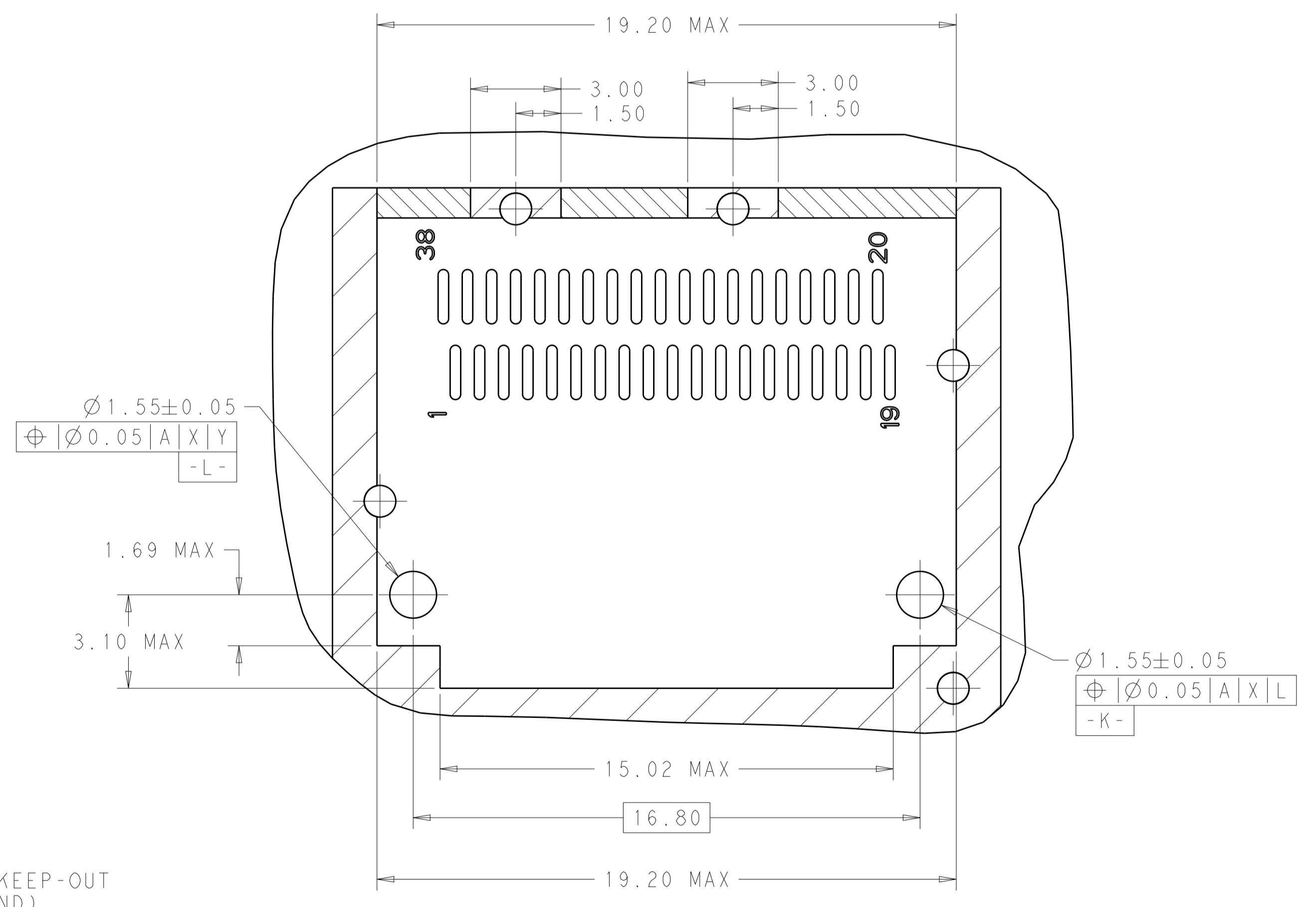
RECOMMENDED PCB LAYOUT
 SINGLE TYPE OF 2 REAR HOLES OF LEGS
 PCB TOLERANCE: ±0.05
 SCALE 6:1



RECOMMENDED PCB LAYOUT
 SINGLE TYPE OF 1 REAR HOLES OF LEGS
 PCB TOLERANCE: ±0.05
 SCALE 6:1



RECOMMENDED PCB LAYOUT
 SINGLE TYPE OF 0 REAR HOLES OF LEGS
 PCB TOLERANCE: ±0.05
 SCALE 6:1

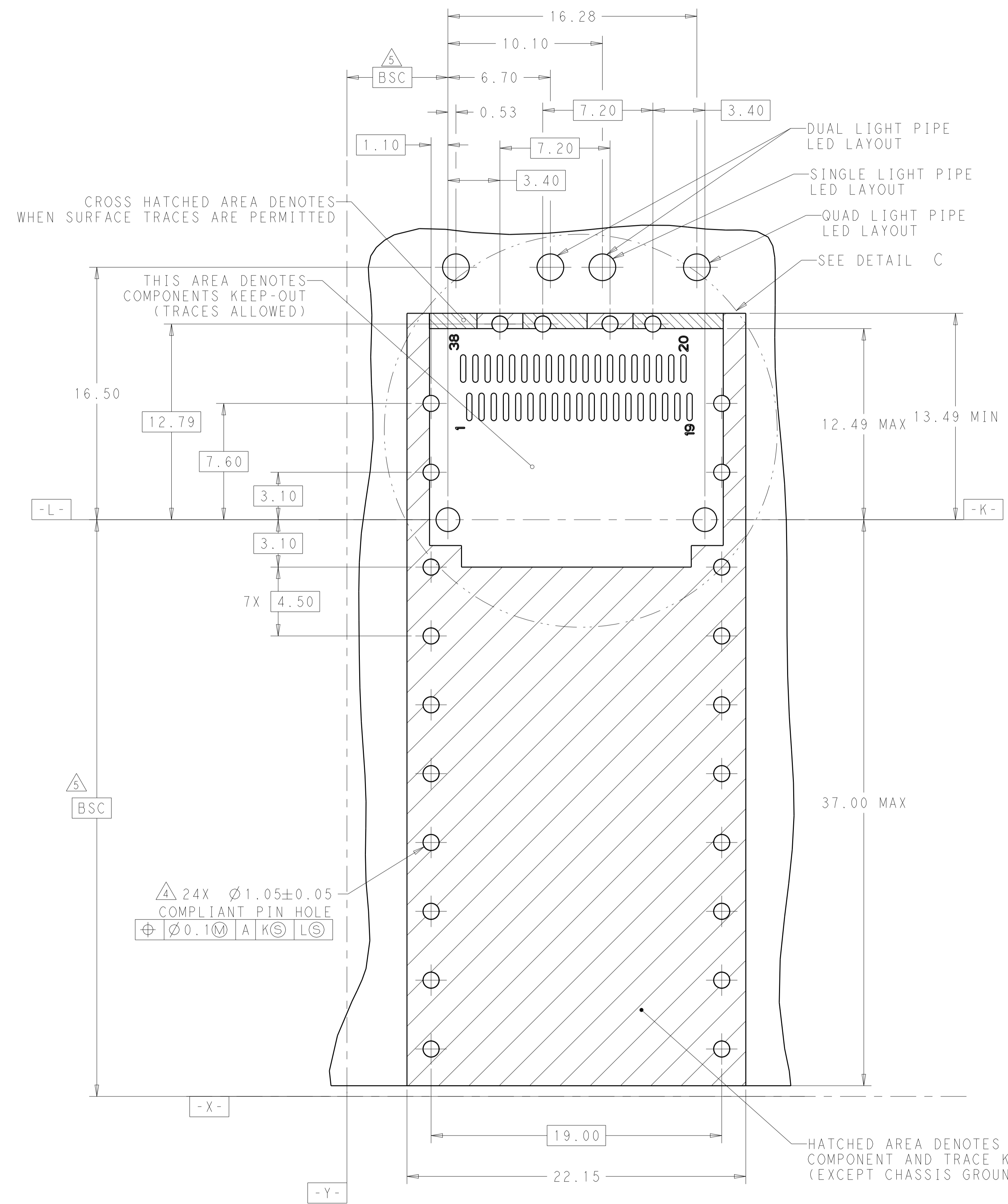


DETAIL B
 SCALE 8:1

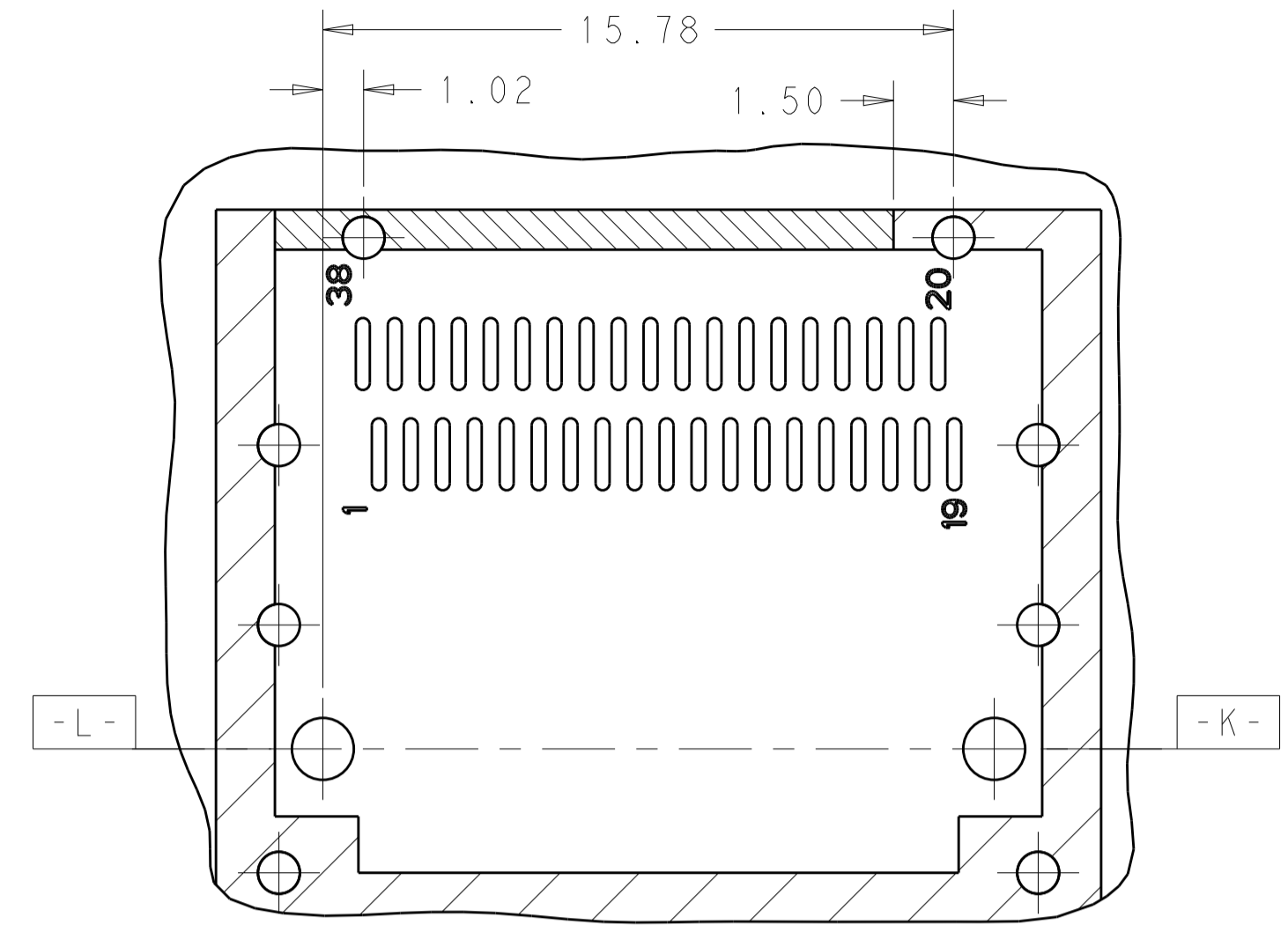
HATCHED AREA DENOTES
 COMPONENT AND TRACE KEEP-OUT
 (EXCEPT CHASSIS GROUND)

THIS DRAWING IS A CONTROLLED DOCUMENT.		OWN: JASON YANG 01APR2014	TE Connectivity
DIMENSIONS: mm		CHK: SEAN HAN 30DEC2015	
TOLERANCES UNLESS OTHERWISE SPECIFIED:		APVD:	NAME: CAGE ASSEMBLY, QSFP28 1X1, THRU BEZEL, WITH EMI GASKET HEAT SINK, LIGHT PIPE
0 PLC	±0.25	PRODUCT SPEC:	108-19428
1 PLC	±0.25	APPLICATION SPEC:	114-32023
2 PLC	±0.20	SIZE:	A100779
3 PLC	±0.100	CAGE CODE:	C=2170754
4 PLC	±	RESTRICTED TO:	
ANGLES	±	SCALE:	4:1
MATERIAL:		SHEET:	6 OF 7
FINISH:		REV:	B

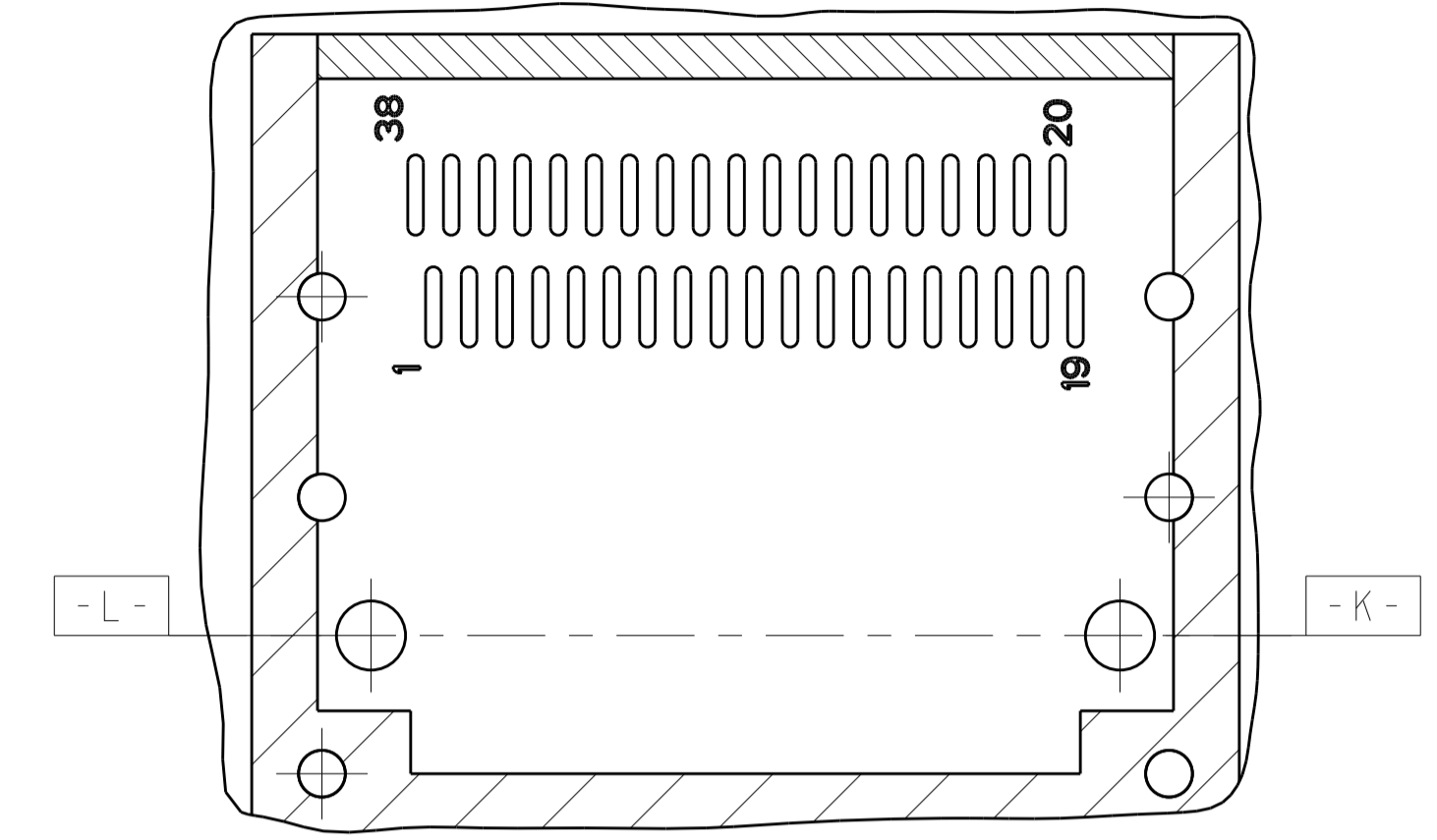
LOC	DIST	REV	DATE	BY	APPV
		1			



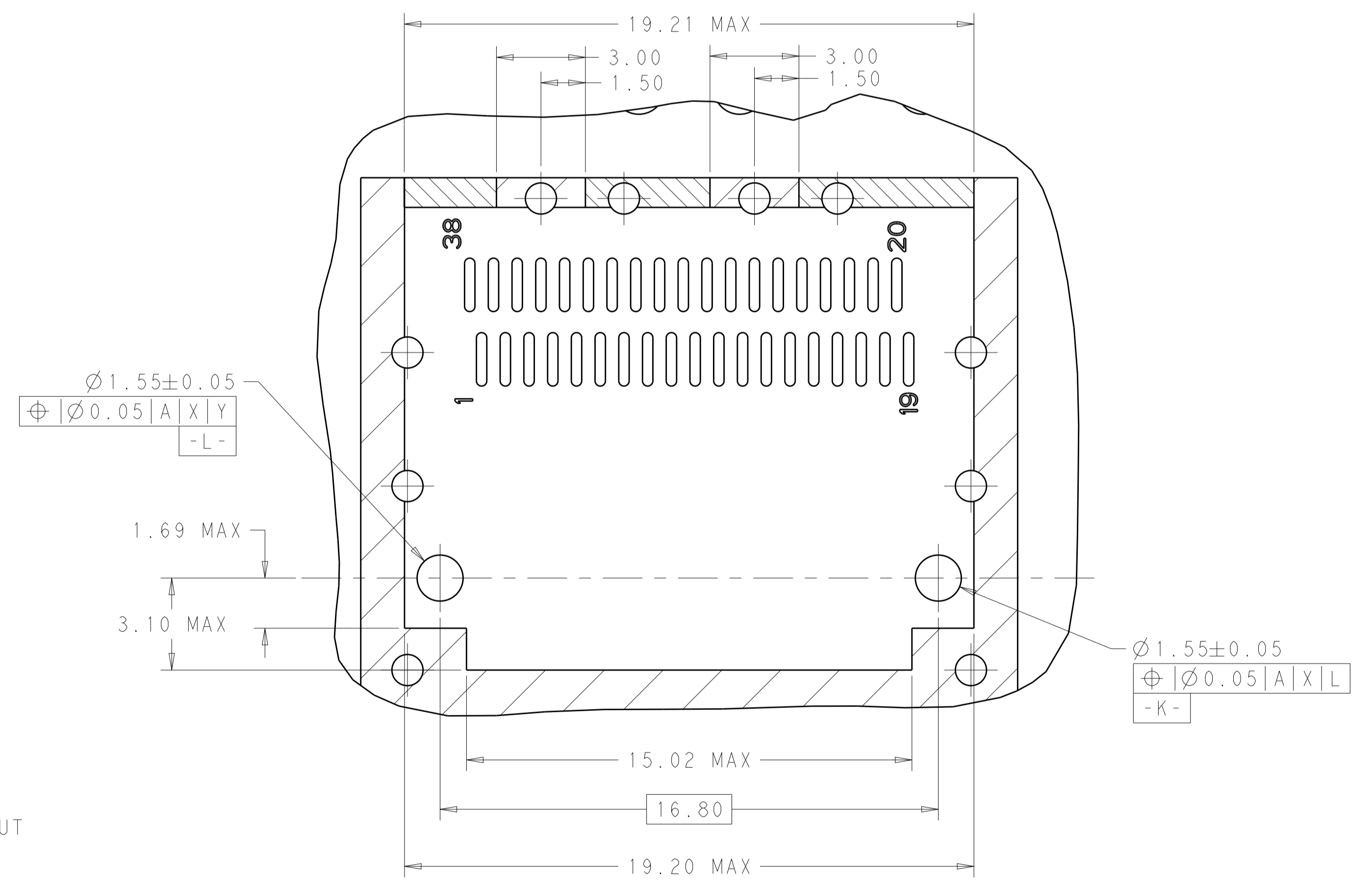
RECOMMENDED PCB LAYOUT
BELLY TO BELLY TYPE OF 2 REAR HOLES OF LEGS
PCB TOLERANCE: ±0.05
SCALE 6:1



RECOMMENDED PCB LAYOUT
BELLY TO BELLY TYPE OF 1 REAR HOLES OF LEGS
PCB TOLERANCE: ±0.05
SCALE 6:1



RECOMMENDED PCB LAYOUT
BELLY TO BELLY TYPE OF 0 REAR HOLES OF LEGS
PCB TOLERANCE: ±0.05
SCALE 6:1



DETAIL C
SCALE 8:1

THIS DRAWING IS A CONTROLLED DOCUMENT.		DWN: JASON YANG 01APR2014 CHK: SEAN HAN 30DEC2015 APVD:	TE Connectivity
DIMENSIONS: mm TOLERANCES UNLESS OTHERWISE SPECIFIED: 0 PLC ±0.25 1 PLC ±0.25 2 PLC ±0.25 3 PLC ±0.25 4 PLC ±0.100 ANGLES ±°		NAME: CAGE ASSEMBLY, QSFP28 1X1, THRU BEZEL, WITH EMI GASKET HEAT SINK, LIGHT PIPE PRODUCT SPEC: 108-19428 APPLICATION SPEC: 114-32023 WEIGHT:	
MATERIAL: FINISH:		SIZE: CAGE CODE: DRAWING NO: A100779C=2170754 RESTRICTED TO:	SCALE: 4:1 SHEET 7 OF 7 REV B

X-ON Electronics

Largest Supplier of Electrical and Electronic Components

Click to view similar products for [I/O Connectors](#) category:

Click to view products by [TE Connectivity](#) manufacturer:

Other Similar products are found below :

[571763P](#) [72.250.1628.2](#) [72.250.2428.2](#) [74720-0505](#) [76.350.0729.0](#) [76871-1403](#) [FCN-244F080-G/1](#) [FCN-260A9920](#) [MP-5T180MUNNA-005](#)
[PCR-E36PM](#) [PCS-XE26MA+](#) [G38A71314B](#) [1571250010](#) [157-22500-3](#) [MS3471L14-19P L/C](#) [91-569786-35H](#) [172501-4002](#) [172501-6002](#)
[FCN-260C008-A/L0](#) [FCN-260C024-AL0](#) [FCN-261Z008](#) [2000314-1](#) [200331-1](#) [PCR-E36FC+](#) [PCS-E28FS+](#) [PCS-XE26SLFD+](#) [PCS-](#)
[XE26SLFDT+](#) [G730VID08BDC24](#) [U90B2054081210](#) [UE86K842720321](#) [38113800006](#) [DP3AR020WQ1R200](#) [Z4.102.0680.0](#) [500-1040](#)
[500-1052](#) [500-1054](#) [ZP-4008-66L](#) [0709821002](#) [10-565995-597N](#) [DX40-20P\(55\)](#) [5554841-1](#) [U90B3054061110](#) [U65-E04-4020](#)
[ZPF00000000097891](#) [557-262M2-06C](#) [747360449](#) [10099439-003C-TRLF](#) [10137239-0021LF](#) [E9320-001-01](#) [10137239-0011LF](#)