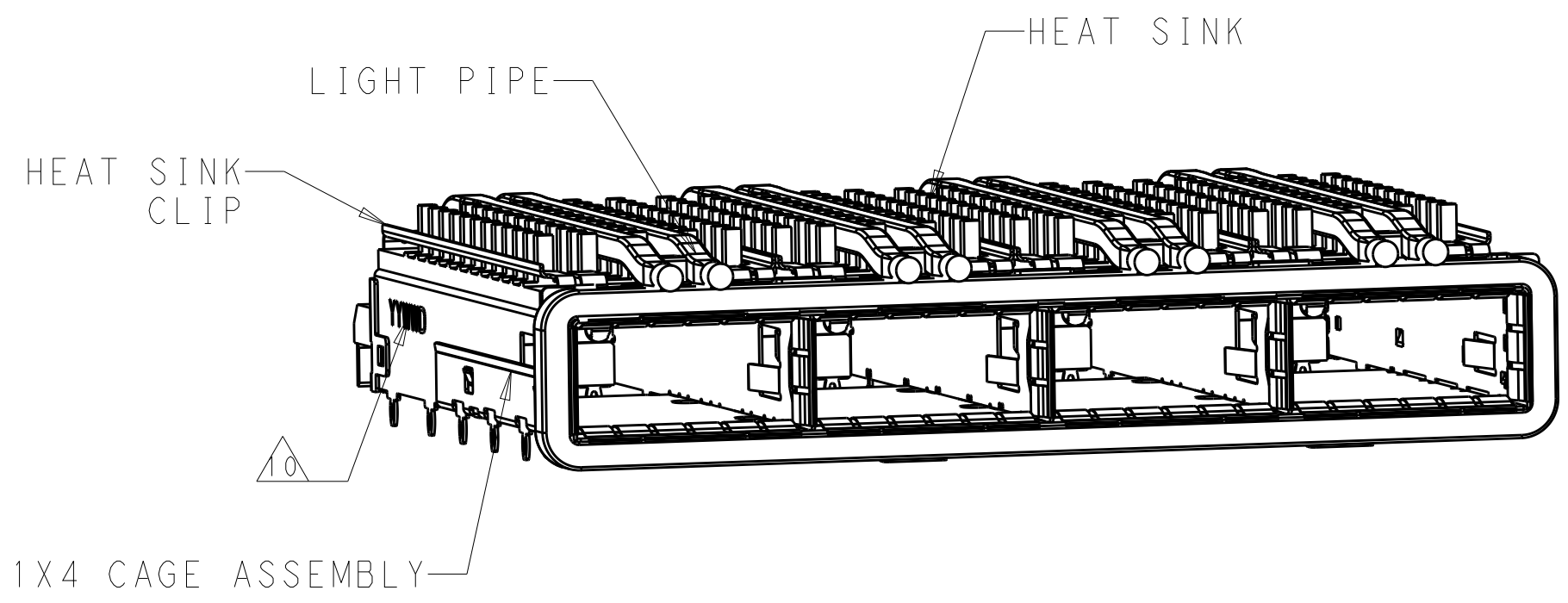
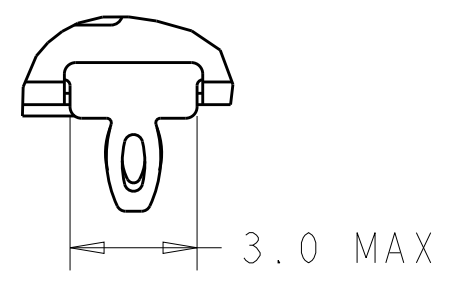
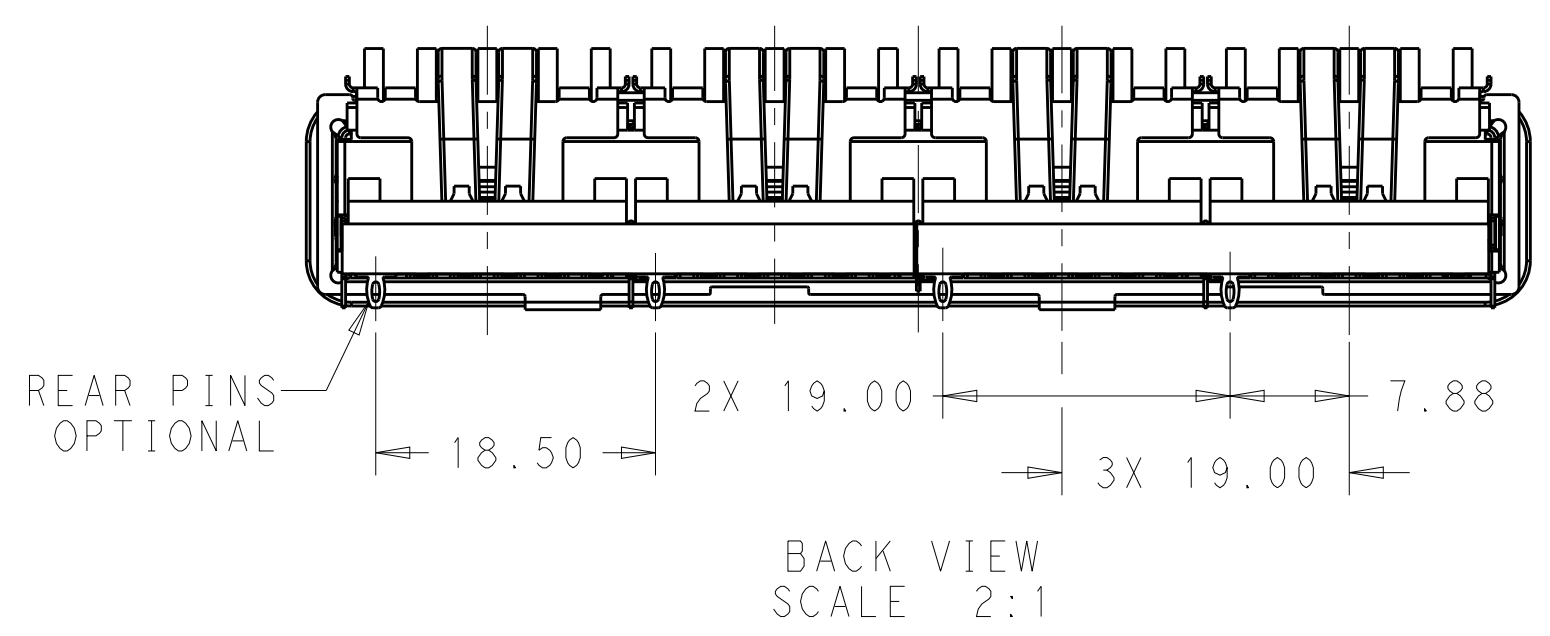
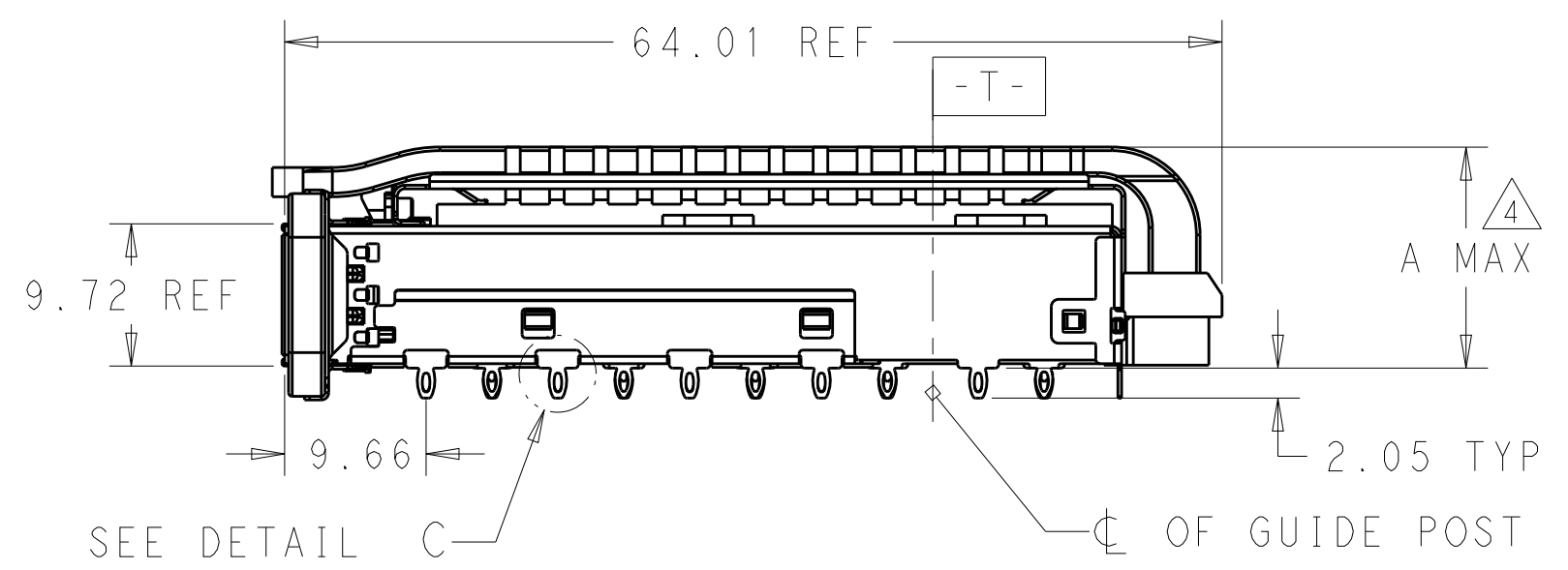
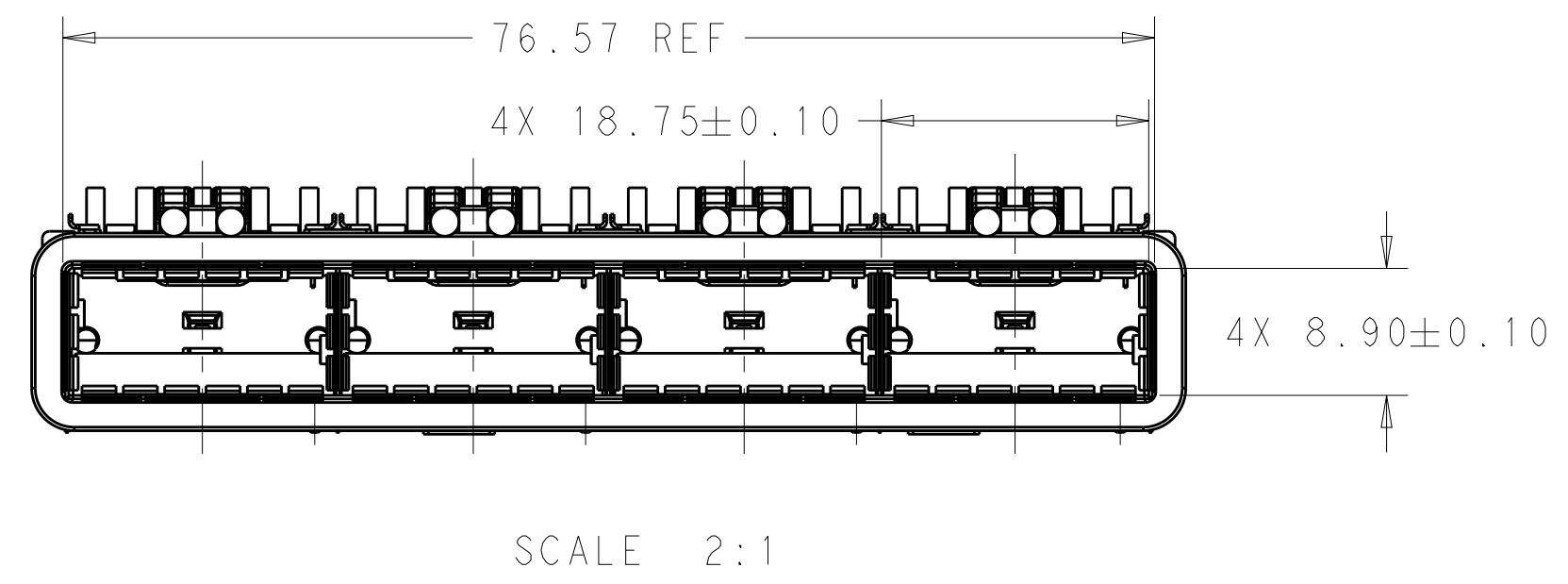


THIS DRAWING IS UNPUBLISHED. RELEASED FOR PUBLICATION 20
 © COPYRIGHT 20 BY - ALL RIGHTS RESERVED.

REVISIONS				
P	LTR	DESCRIPTION	DATE	APVD
	A	RELEASE	01NOV2016	JY SH



- COMPONENTS
 CAGE ASSEMBLY: NICKEL-SILVER ALLOY
 HEAT SINK: ALUMINUM/BLACK ANODIZE
 HEAT SINK CLIP: STAINLESS STEEL
 EMI SPRING: COPPER ALLOY/NICKEL PLATE
 EMI GASKET: PLATED FILLED SILICONE
 LIGHT PIPE: CLEAR POLYCARBONATE WITH 94 V-0
 ORGANIZER: POLYESTER WITH UL 94 V-0
- REFERENCE APPLICATION SPECIFICATION 114-32023 FOR RECOMMENDED DRILL HOLE DIAMETER AND PLATING THICKNESS
- DATUM AND BASIC DIMENSION ESTABLISHED BY CUSTOMER
- DIMENSION APPLIES WITH MODULE INSERTED IN CAGE
- HEAT SINKS, HEAT SINK CLIPS AND LIGHT PIPES ARE SHIPPED ASSEMBLED ON CAGE
- MINIMUM PC BOARD THICKNESS: SINGLE SIDED: 1.57 MIN
 DOUBLE SIDED: 3.00 MIN
- DATUM **-A-** IS TOP SURFACE OF THE HOST BOARD.
- THESE HOLES ARE OPTIONAL WHEN THE REAR PINS ARE REMOVED.
- MATES WITH QSFP28 MSA COMPATIBLE TRANSCEIVER.
- DATE CODE (YYWWD) MARKED APPROXIMATELY AS SHOWN.



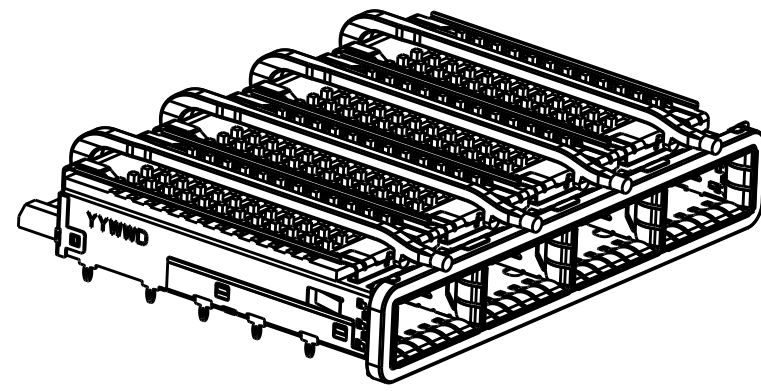
DETAIL C SCALE 6:1

THIS DRAWING IS A CONTROLLED DOCUMENT.		DWN 20 JUN 2014 JASON YANG	STE TE Connectivity	
		CHK 01 NOV 2016 SEAN HAN		
DIMENSIONS: mm		APVD -	NAME	RECEPTACLE CAGE ASSEMBLY WITH HEAT SINKS AND LIGHT PIPES, THRU BEZEL, 1X4, QSFP28, GASKET
TOLERANCES UNLESS OTHERWISE SPECIFIED:		PRODUCT SPEC	SIZE	CAGE CODE
0 PLC ±		108-19428	A2	00779
1 PLC ±0.25		APPLICATION SPEC	DRAWING NO	RESTRICTED TO
2 PLC ±0.2		114-32023	C-2170785	-
3 PLC ±		WEIGHT	SCALE	SHEET
4 PLC ±		-	3:1	1 OF 9
ANGLES ±		CUSTOMER DRAWING	REV	A
FINISH				
MATERIAL SEE NOTES				
SEE NOTES				

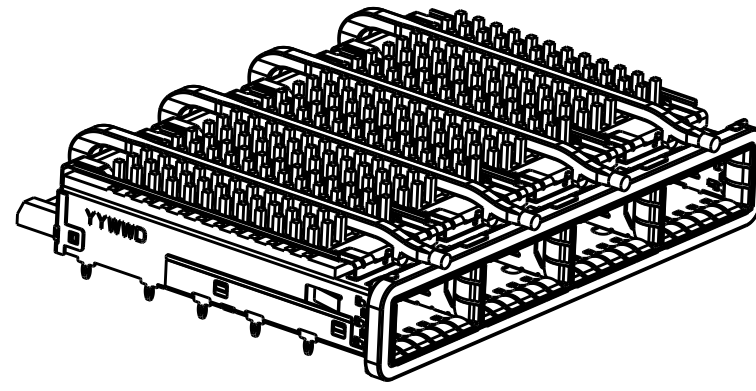
THIS DRAWING IS UNPUBLISHED. RELEASED FOR PUBLICATION 20
 © COPYRIGHT 20 BY - ALL RIGHTS RESERVED.

REVISIONS				
P	LTR	DESCRIPTION	DATE	APVD
-		SEE SHEET 1	-	-

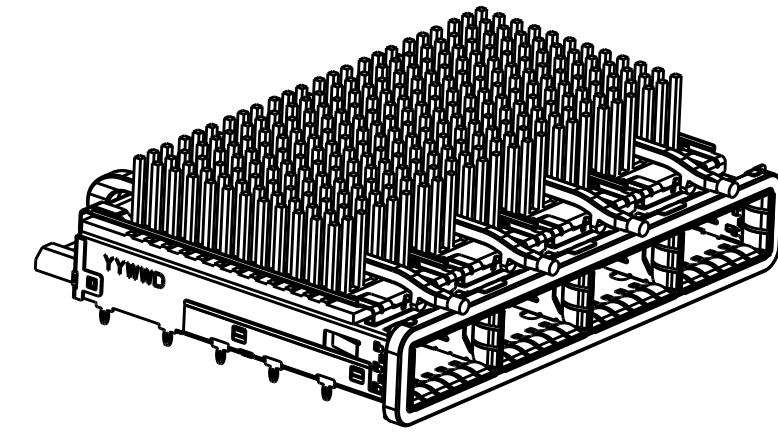
HEAT SINK OPTION



PCI HEAT SINK
SCALE 1:1

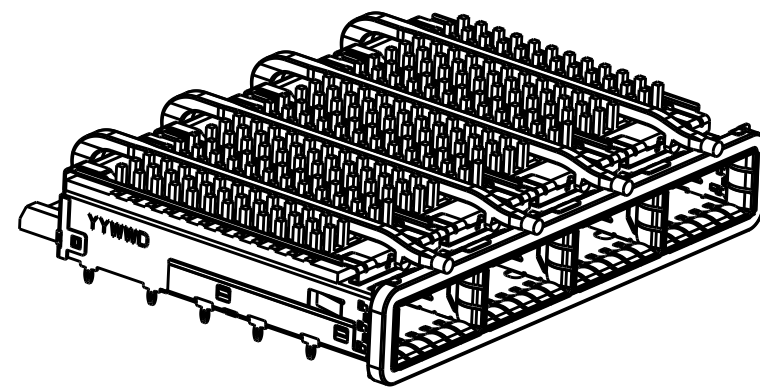


SAN HEAT SINK
SCALE 1:1

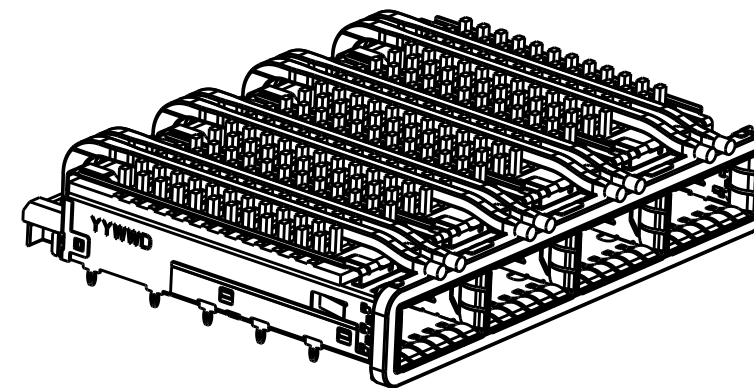


NETWORKING HEAT SINK
SCALE 1:1

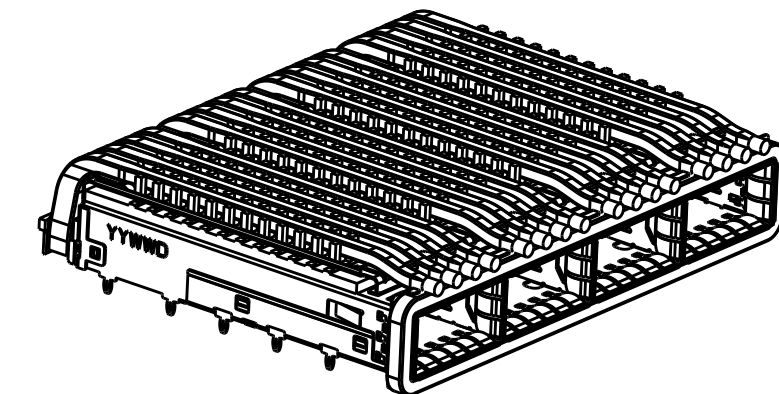
LIGHT PIPE OPTION



SINGLE LIGHT PIPE
SCALE 1:1

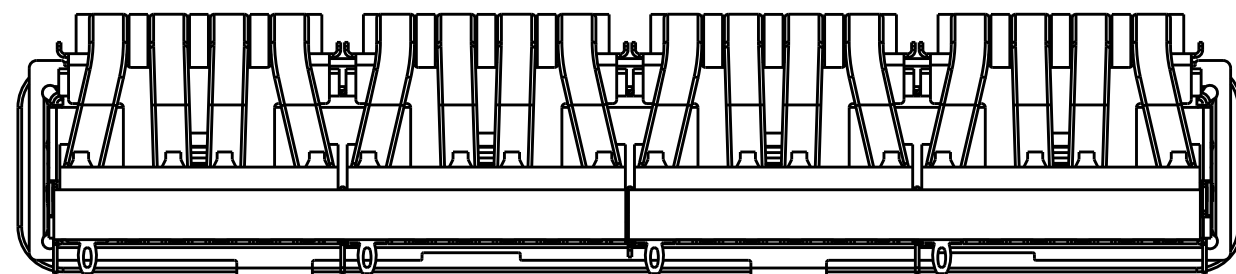


DUAL LIGHT PIPE
SCALE 1:1

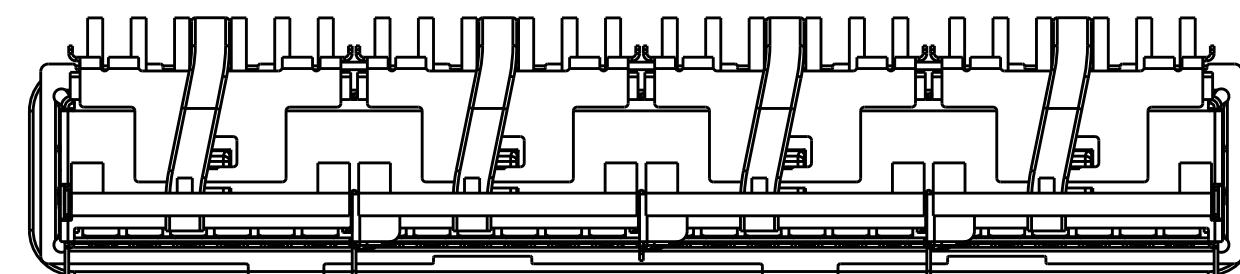


QUAD LIGHT PIPE
SCALE 1:1


OF REAR PIN OPTION



1 REAR PIN
SCALE 2:1




0 REAR PIN
SCALE 2:1

THIS DRAWING IS A CONTROLLED DOCUMENT.		DWN JASON YANG 20 JUN 2014	 TE Connectivity	
		CHK SEAN HAN 01 NOV 2016		
DIMENSIONS:	TOLERANCES UNLESS OTHERWISE SPECIFIED:	APVD	NAME	RECEPTACLE CAGE ASSEMBLY WITH HEAT SINKS AND LIGHT PIPES, THRU BEZEL, 1X4, QSFP28, GASKET
mm	0 PLC ± 1 PLC ±0.25 2 PLC ±0.2 3 PLC ± 4 PLC ±	PRODUCT SPEC	SIZE	
MATERIAL	FINISH	APPLICATION SPEC	CAGE CODE	DRAWING NO
SEE NOTES	SEE NOTES	114-32023	A200779	C-2170785
		WEIGHT	RESTRICTED TO	
		CUSTOMER DRAWING	SCALE	SHEET
			3:1	2 OF 9
				REV A

THIS DRAWING IS UNPUBLISHED. RELEASED FOR PUBLICATION 20
 © COPYRIGHT 20 BY - ALL RIGHTS RESERVED.

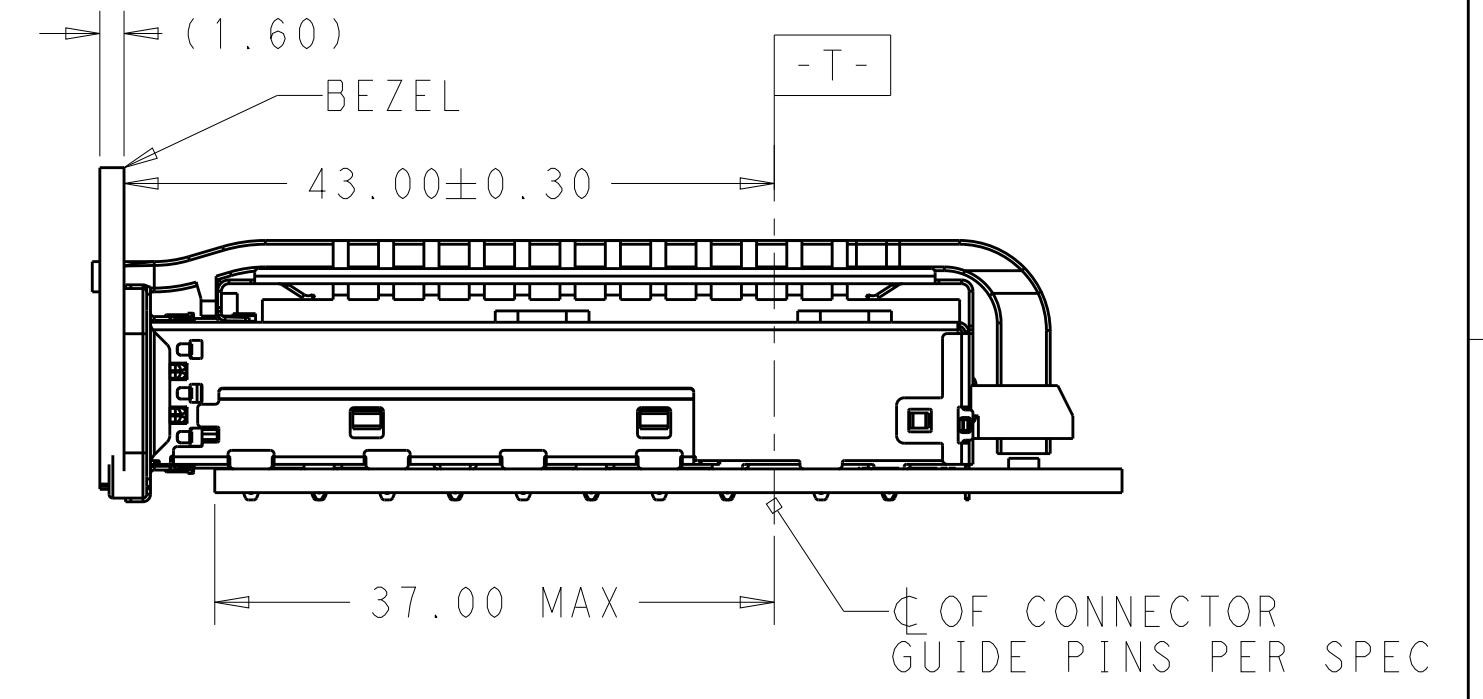
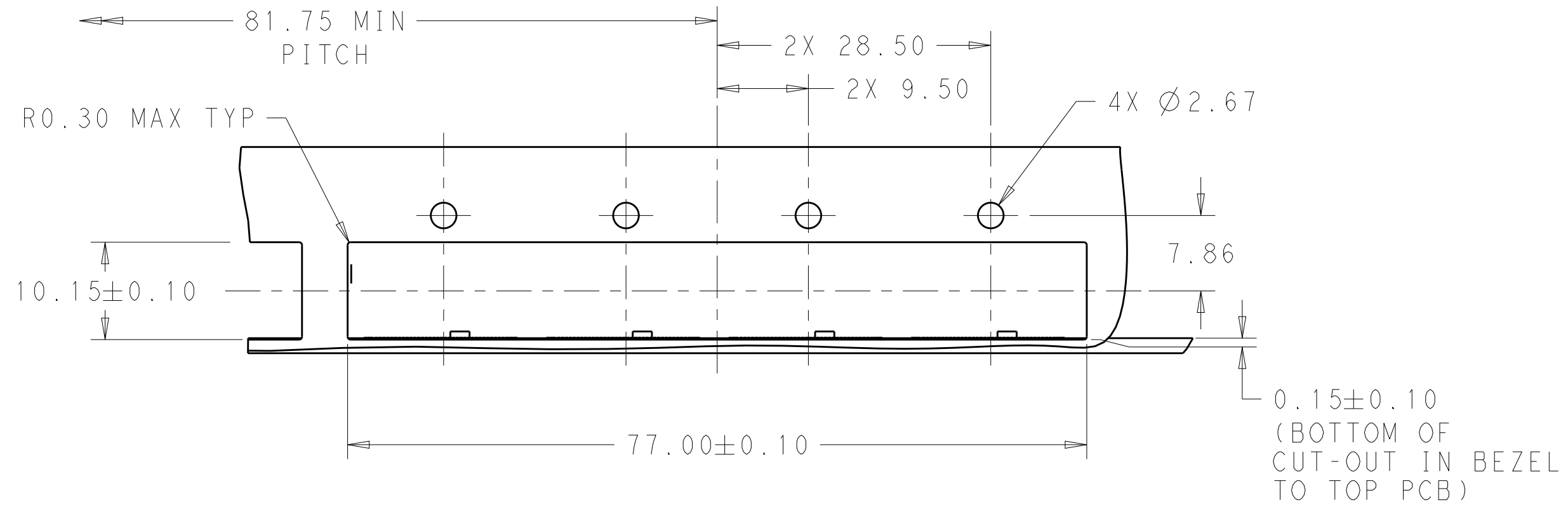
REVISIONS				
P	LTR	DESCRIPTION	DATE	APVD
-		SEE SHEET 1	-	-

0	23.0	NETWORKING	QUAD	4-2170785-6
0	16.0	SAN	QUAD	4-2170785-5
0	13.7	PCI	QUAD	4-2170785-4
1	23.0	NETWORKING	QUAD	4-2170785-3
1	16.0	SAN	QUAD	4-2170785-2
1	13.7	PCI	QUAD	4-2170785-1
0	23.0	NETWORKING	DUAL	2-2170785-6
0	16.0	SAN	DUAL	2-2170785-5
0	13.7	PCI	DUAL	2-2170785-4
1	23.0	NETWORKING	DUAL	2-2170785-3
1	16.0	SAN	DUAL	2-2170785-2
1	13.7	PCI	DUAL	2-2170785-1
0	23.0	NETWORKING	SINGLE	2170785-6
0	16.0	SAN	SINGLE	2170785-5
0	13.7	PCI	SINGLE	2170785-4
1	23.0	NETWORKING	SINGLE	2170785-3
1	16.0	SAN	SINGLE	2170785-2
1	13.7	PCI	SINGLE	2170785-1
# OF REAR PIN	DIM A	APPLICATION	LIGHT PIPE OPTION	PART NUMBER

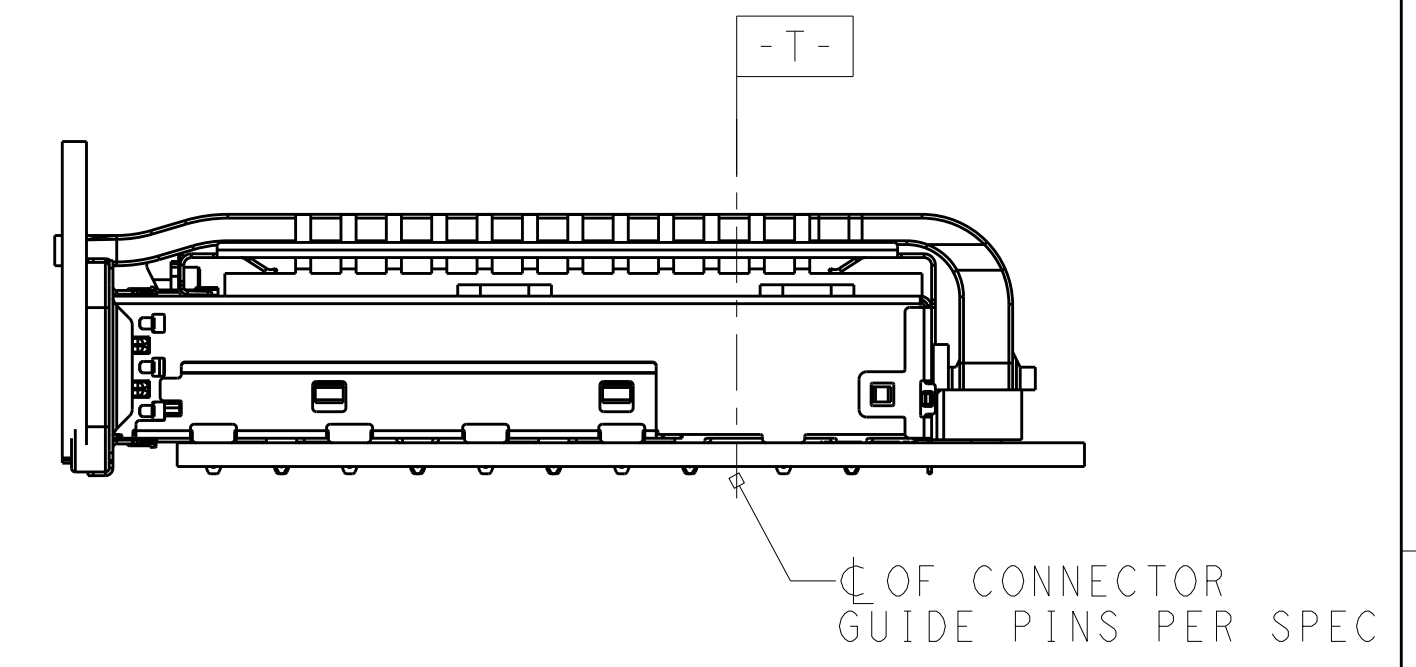
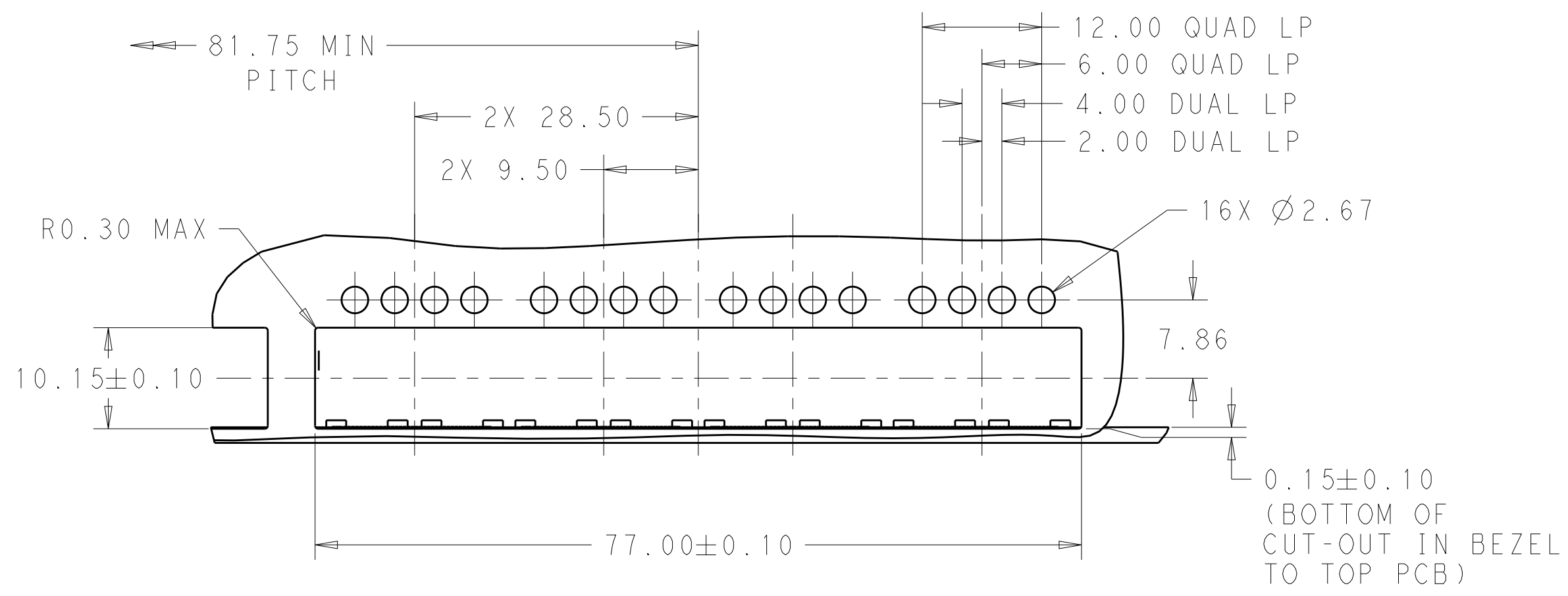
THIS DRAWING IS A CONTROLLED DOCUMENT.		DWN 20 JUN 2014 JASON YANG	 TE Connectivity	
		CHK 01 NOV 2016 SEAN HAN		
DIMENSIONS: mm		TOLERANCES UNLESS OTHERWISE SPECIFIED: 0 PLC ± 1 PLC ±0.25 2 PLC ±0.2 3 PLC ± 4 PLC ± ANGLES ± FINISH		NAME RECEPTACLE CAGE ASSEMBLY WITH HEAT SINKS AND LIGHT PIPES, THRU BEZEL, 1X4, QSFP28, GASKET
MATERIAL SEE NOTES		PRODUCT SPEC 108-19428 APPLICATION SPEC 114-32023		SIZE A200779
		WEIGHT -		DRAWING NO C-2170785
		CUSTOMER DRAWING		RESTRICTED TO -
		SCALE 3:1		SHEET 3 OF 9 REV A

THIS DRAWING IS UNPUBLISHED. RELEASED FOR PUBLICATION 20
 © COPYRIGHT 20 BY - ALL RIGHTS RESERVED.

REVISIONS				
P	LTR	DESCRIPTION	DATE	APVD
-	-	SEE SHEET 1	-	-



SINGLE SIDE MOUNTING
SCALE 2:1

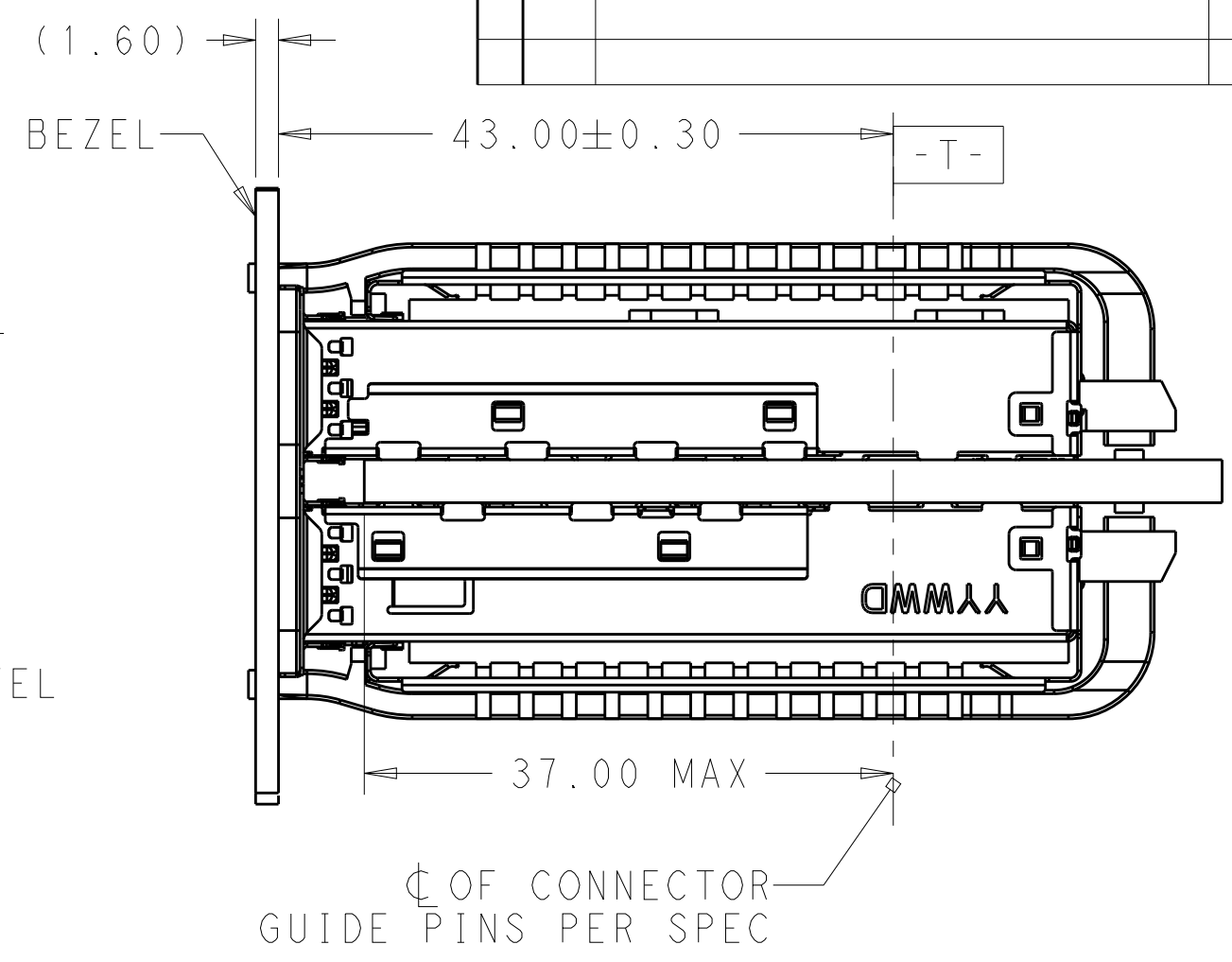
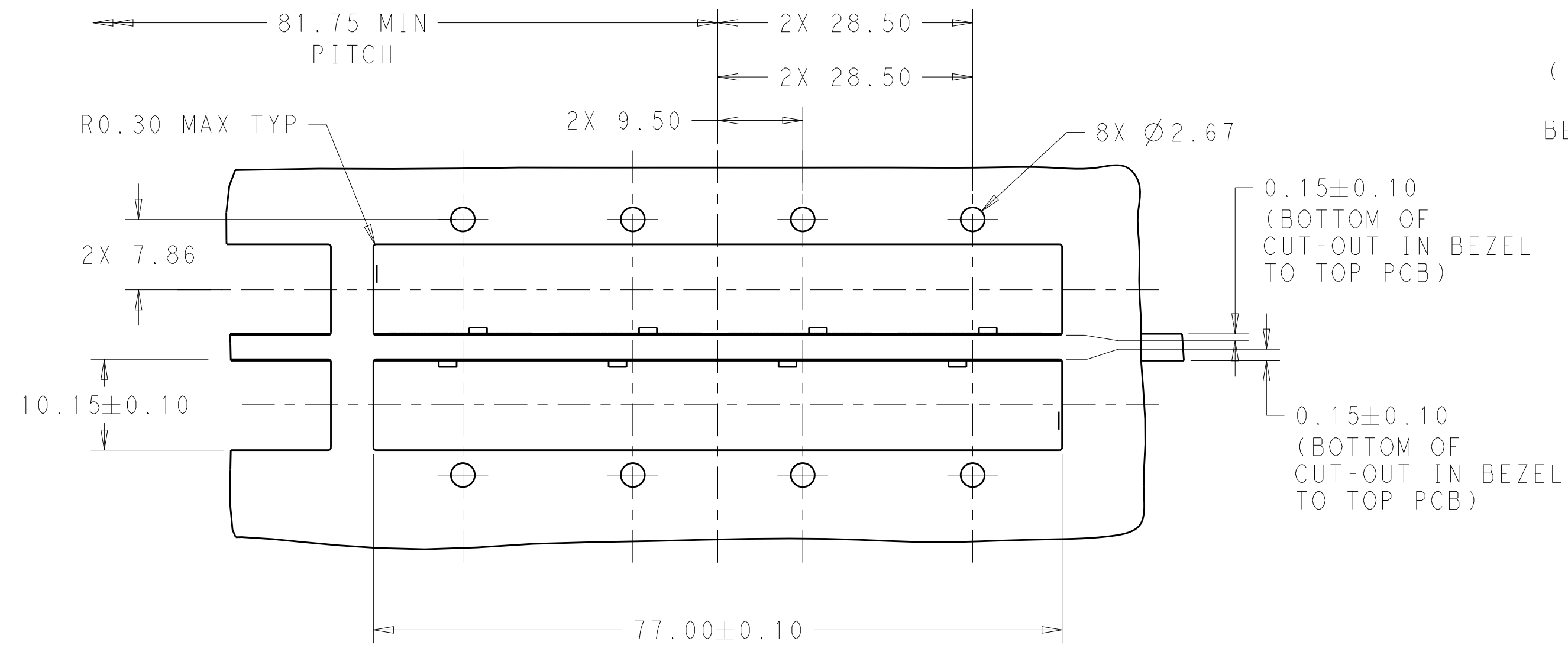


SINGLE SIDE MOUNTING
SCALE 2:1

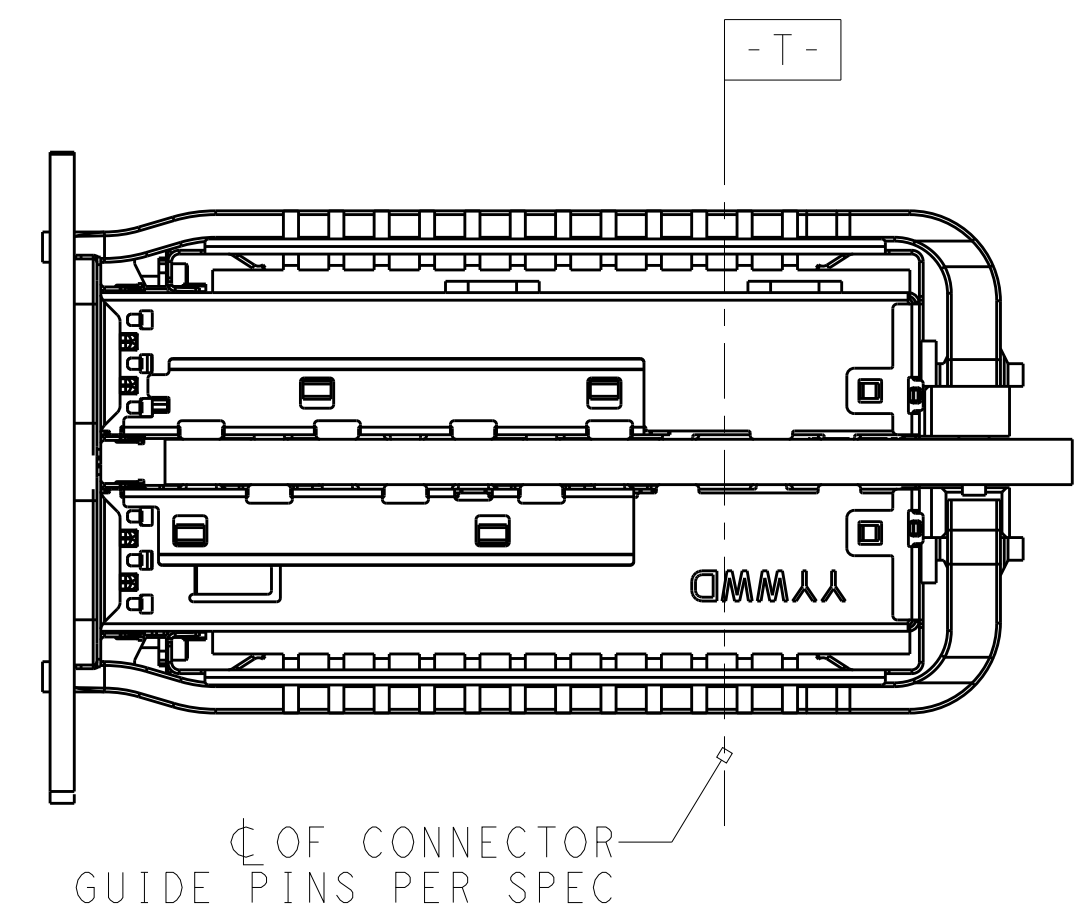
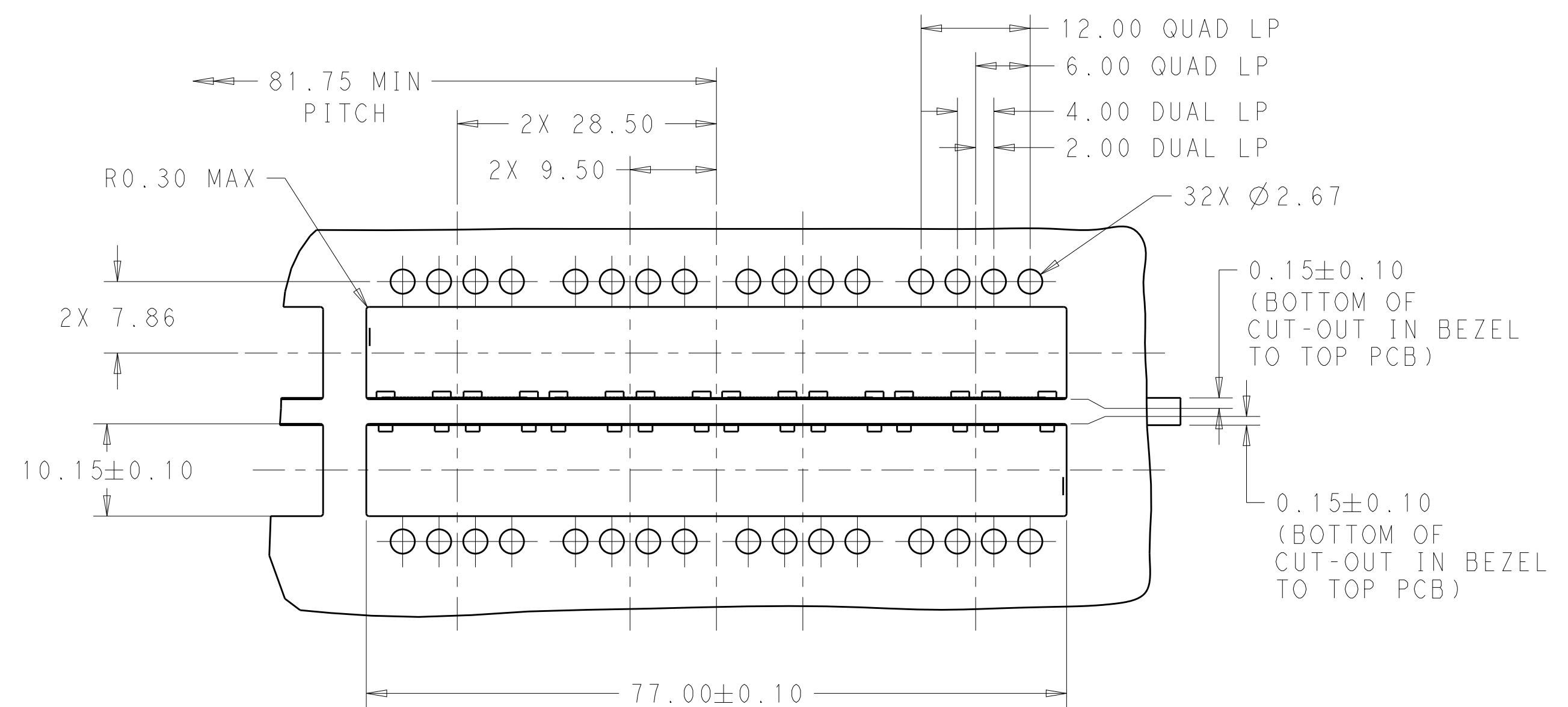
THIS DRAWING IS A CONTROLLED DOCUMENT.		DWN JASON YANG 20 JUN 2014	TE Connectivity	
		CHK SEAN HAN 01 NOV 2016		
DIMENSIONS:	TOLERANCES UNLESS OTHERWISE SPECIFIED:	APVD	NAME	
mm	0 PLC ± 1 PLC ±0.25 2 PLC ±0.2 3 PLC ± 4 PLC ± ANGLES ± FINISH	PRODUCT SPEC	RECEPTACLE CAGE ASSEMBLY WITH HEAT SINKS AND LIGHT PIPES, THRU BEZEL, 1X4, QSFP28, GASKET	
MATERIAL	SEE NOTES	APPLICATION SPEC	SIZE	CAGE CODE
SEE NOTES	SEE NOTES	114-32023	A2	00779
		WEIGHT	DRAWING NO	RESTRICTED TO
		CUSTOMER DRAWING	C-2170785	-
		SCALE	SHEET	REV
		3:1	4 OF 9	A

THIS DRAWING IS UNPUBLISHED. RELEASED FOR PUBLICATION 20
 © COPYRIGHT 20 BY - ALL RIGHTS RESERVED.

REVISIONS				
P	LTR	DESCRIPTION	DATE	APVD
-	-	SEE SHEET 1	-	-



BELLY TO BELLY MOUNTING
SCALE 2:1

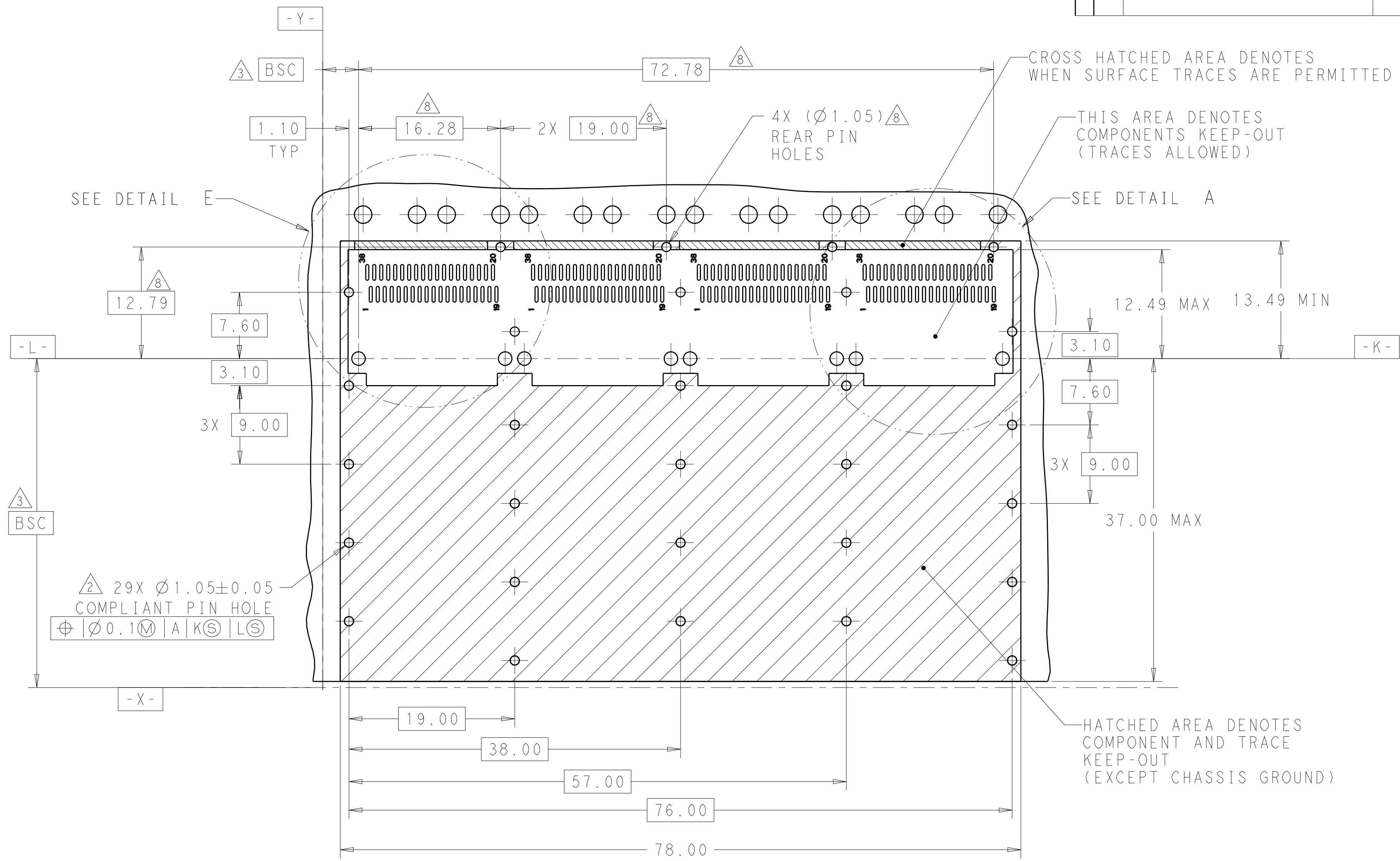


BELLY TO BELLY MOUNTING
SCALE 2:1

THIS DRAWING IS A CONTROLLED DOCUMENT.		DWN JASON YANG 20 JUN 2014	TE Connectivity	
		CHK SEAN HAN 01 NOV 2016		
DIMENSIONS:	TOLERANCES UNLESS OTHERWISE SPECIFIED:	APVD	NAME	RECEPTACLE CAGE ASSEMBLY WITH HEAT SINKS AND LIGHT PIPES, THRU BEZEL, 1X4, QSFP28, GASKET
mm	0 PLC ± 1 PLC ±0.25 2 PLC ±0.2 3 PLC ± 4 PLC ± ANGLES ± FINISH ±	PRODUCT SPEC 108-19428	SIZE	
MATERIAL SEE NOTES	SEE NOTES	APPLICATION SPEC 114-32023	CAGE CODE A200779	DRAWING NO C-2170785
		WEIGHT	CUSTOMER DRAWING	RESTRICTED TO
			SCALE 3:1	SHEET 5 OF 9
				REV A

THIS DRAWING IS UNPUBLISHED. RELEASED FOR PUBLICATION 20
 © COPYRIGHT 20 BY - ALL RIGHTS RESERVED.

REVISIONS				
P	LTR	DESCRIPTION	DATE	APVD
-	-	SEE SHEET 1	-	-

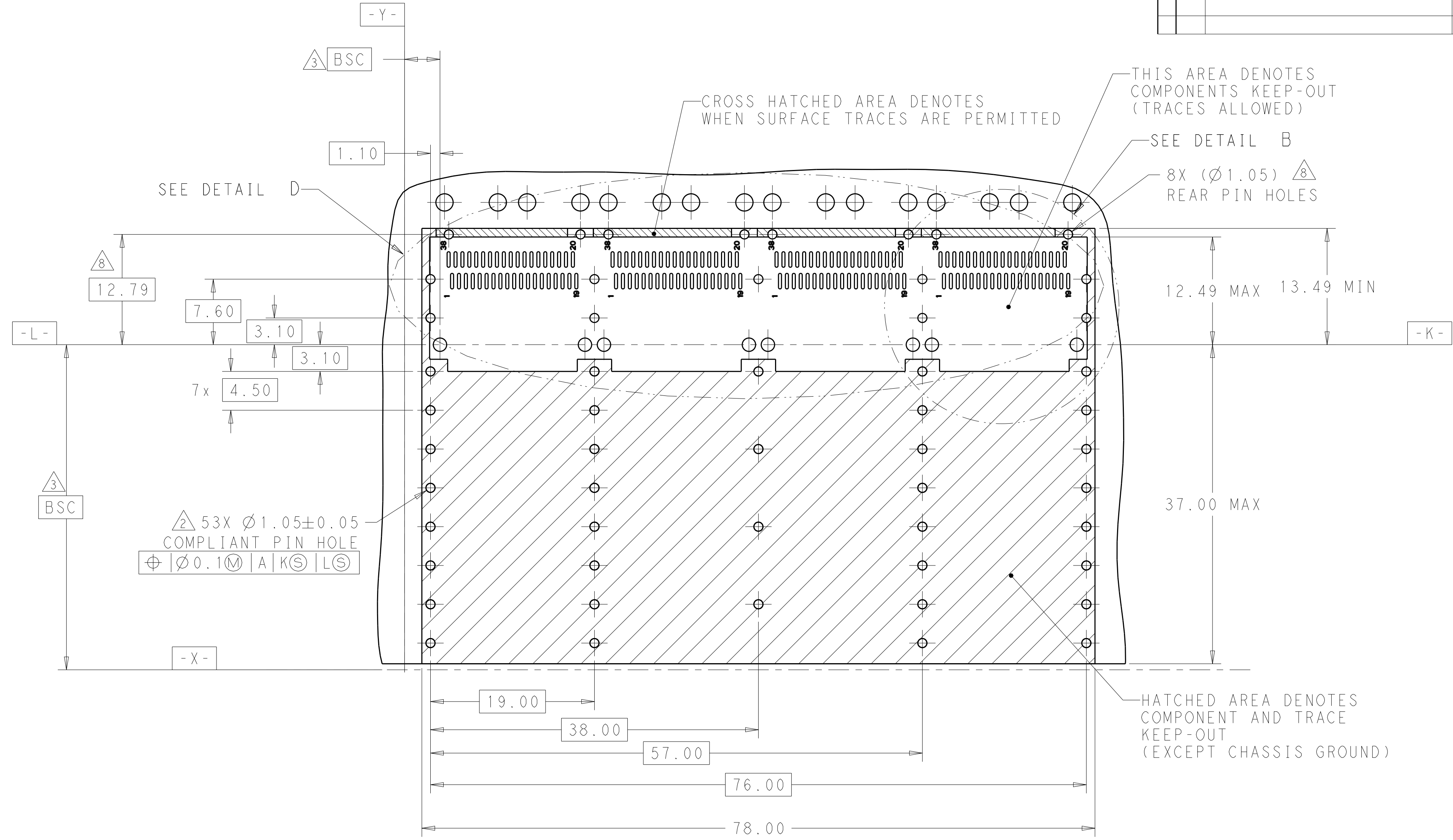


RECOMMENDED PCB LAYOUT
 SINGLE TYPE
 PCB TOLERANCE: ±0.05
 SCALE 3:1


THIS DRAWING IS A CONTROLLED DOCUMENT.		DWN JASON YANG 20 JUN 2014	TE Connectivity	
		CHK SEAN HAN 01 NOV 2016		
DIMENSIONS: mm		APVD -		NAME RECEPTACLE CAGE ASSEMBLY WITH HEAT SINKS AND LIGHT PIPES, THRU BEZEL, 1X4, QSFP28, GASKET
TOLERANCES UNLESS OTHERWISE SPECIFIED: 0 PLC ± 1 PLC ±0.25 2 PLC ±0.2 3 PLC ± 4 PLC ± ANGLES ± FINISH		PRODUCT SPEC 108-19428		SIZE A200779
MATERIAL SEE NOTES		APPLICATION SPEC 114-32023		DRAWING NO C-2170785
		WEIGHT -		RESTRICTED TO -
		CUSTOMER DRAWING		SCALE 3:1 SHEET 6 OF 9 REV A

THIS DRAWING IS UNPUBLISHED. RELEASED FOR PUBLICATION 20
 © COPYRIGHT 20 BY - ALL RIGHTS RESERVED.

REVISIONS				
P	LTR	DESCRIPTION	DATE	APVD
-	-	SEE SHEET 1	-	-

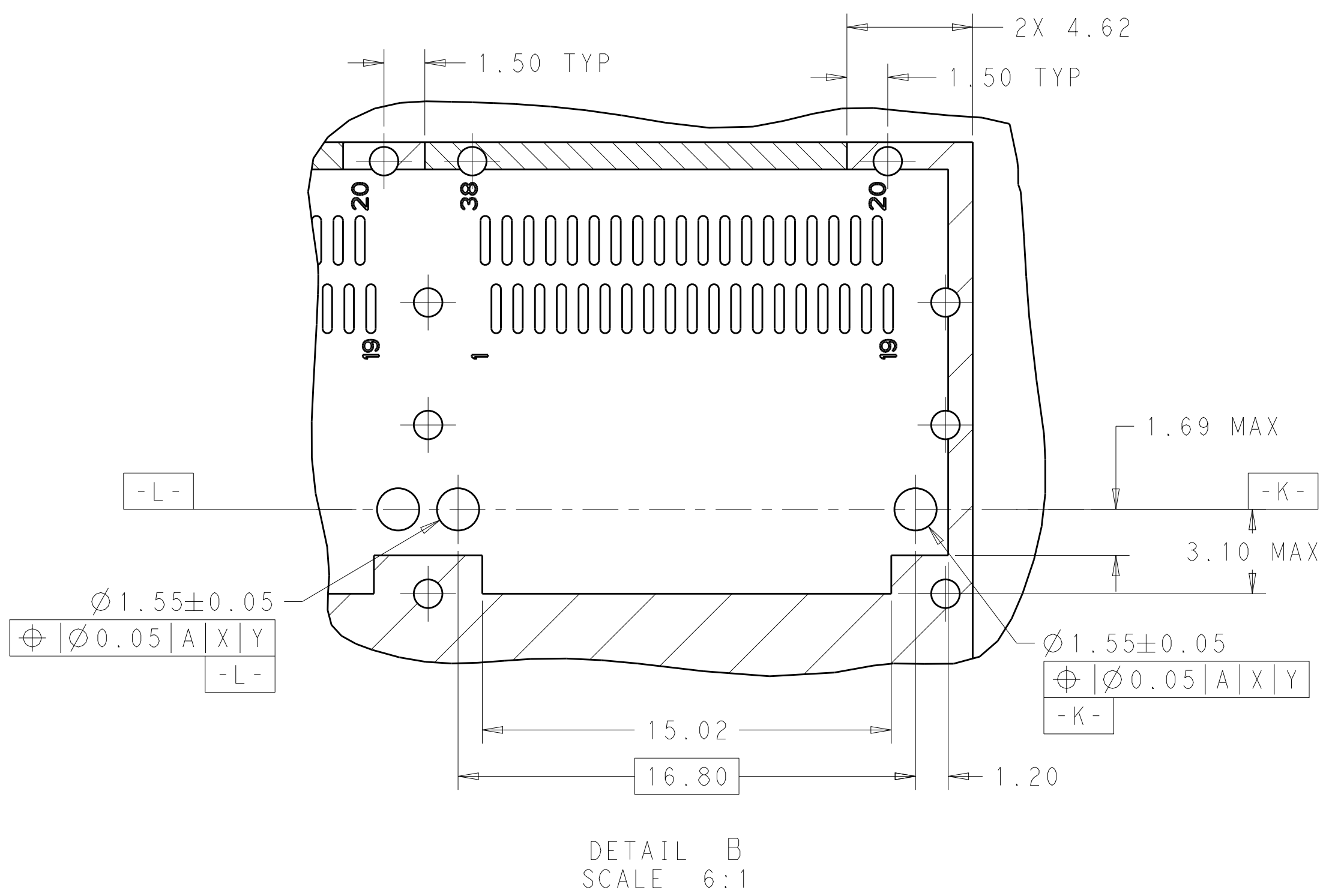
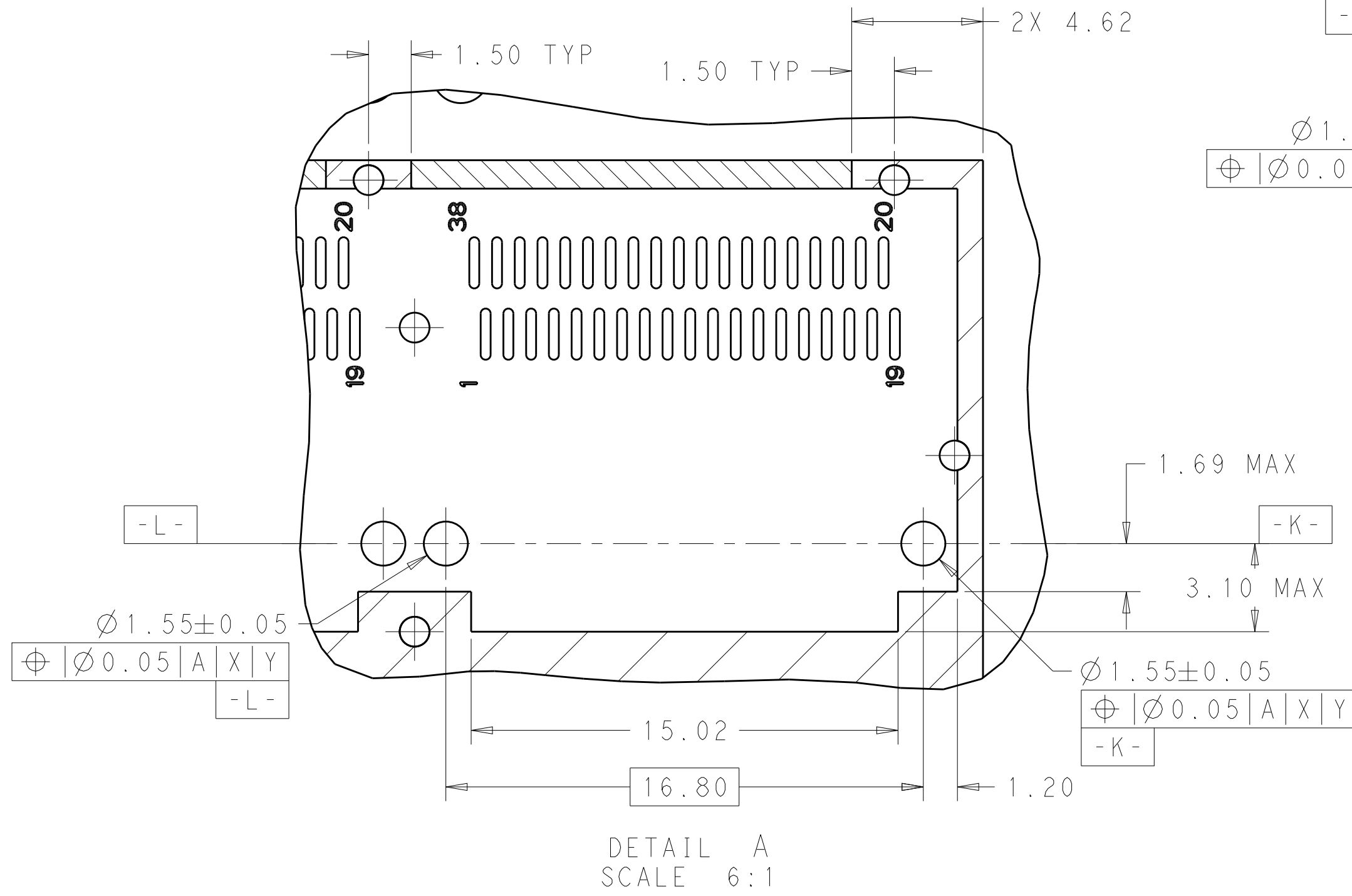


RECOMMENDED PCB LAYOUT
 BELLY TO BELLY TYPE
 PCB TOLERANCE: ±0.05
 SCALE 3:1

THIS DRAWING IS A CONTROLLED DOCUMENT.		DWN JASON YANG 20 JUN 2014	 TE Connectivity	
		CHK SEAN HAN 01 NOV 2016		
DIMENSIONS: mm		APVD -	NAME RECEPTACLE CAGE ASSEMBLY WITH HEAT SINKS AND LIGHT PIPES, THRU BEZEL, 1X4, QSFP28, GASKET	
TOLERANCES UNLESS OTHERWISE SPECIFIED: 0 PLC ± 1 PLC ±0.25 2 PLC ±0.2 3 PLC ± 4 PLC ± ANGLES ± FINISH		PRODUCT SPEC 108-19428	SIZE A200779	
MATERIAL SEE NOTES		APPLICATION SPEC 114-32023	DRAWING NO C-2170785	
		WEIGHT -	RESTRICTED TO -	
		CUSTOMER DRAWING	SCALE 3:1 SHEET 7 OF 9 REV A	

THIS DRAWING IS UNPUBLISHED. RELEASED FOR PUBLICATION 20
 © COPYRIGHT 20 BY - ALL RIGHTS RESERVED.

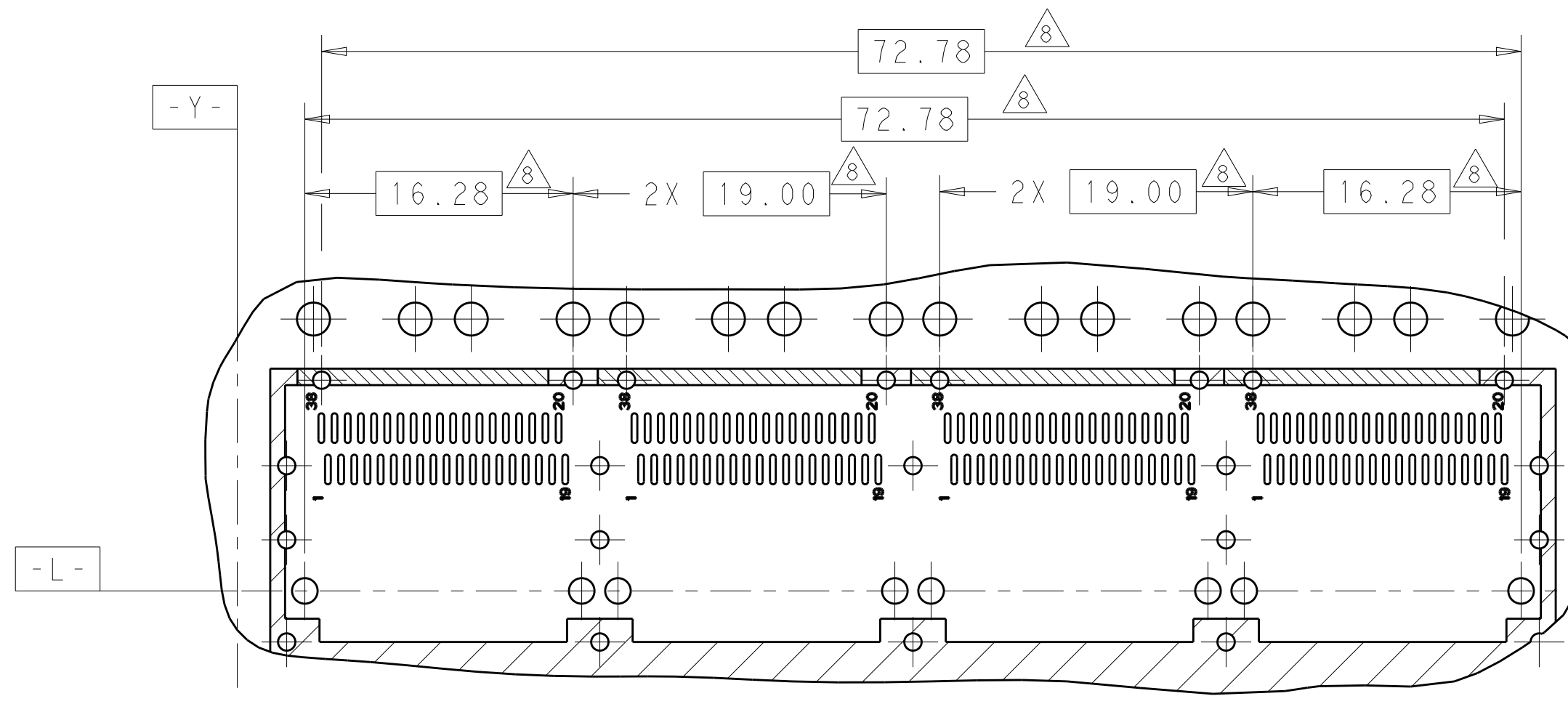
REVISIONS				
P	LTR	DESCRIPTION	DATE	APVD
-	-	SEE SHEET 1	-	-



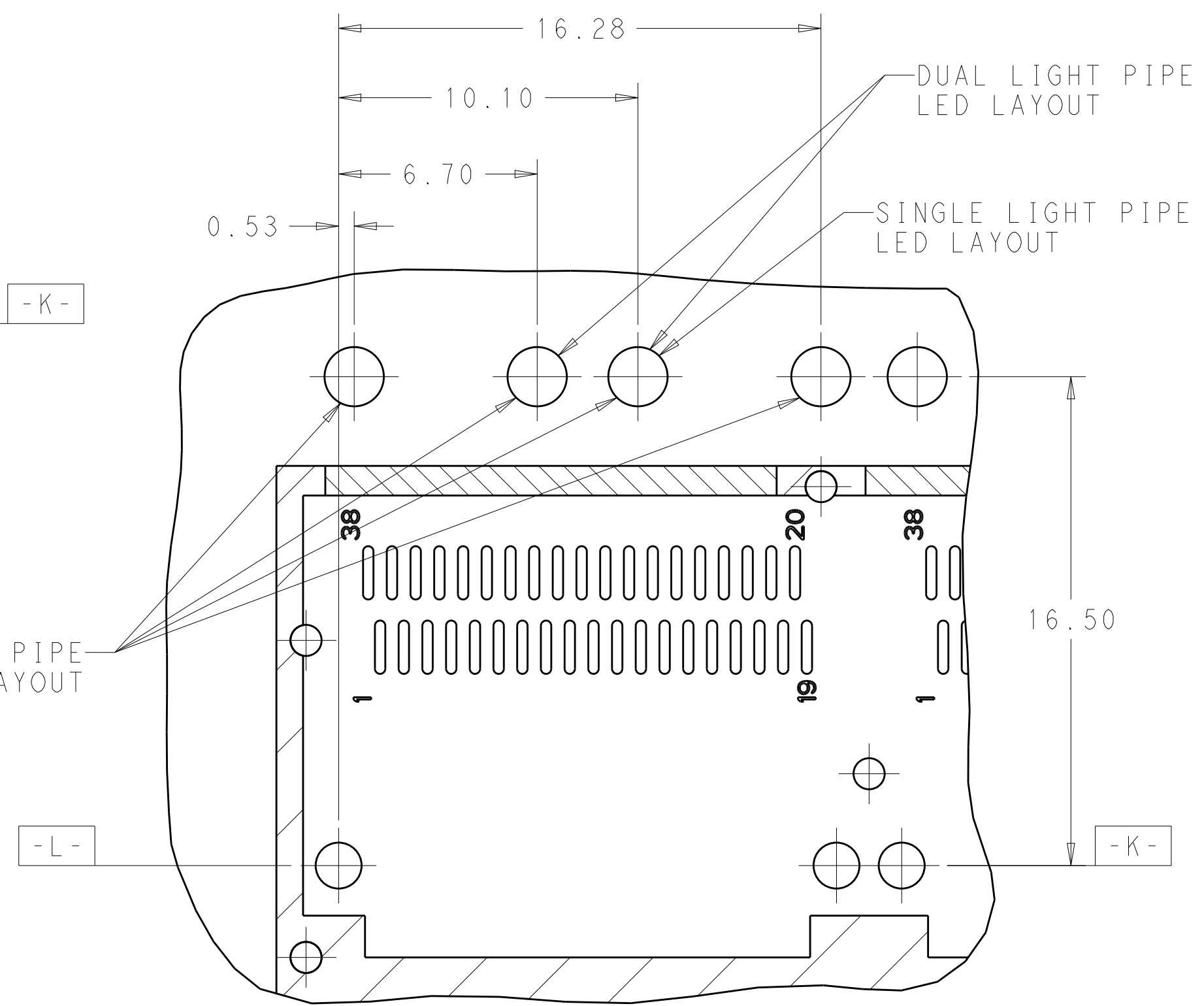
THIS DRAWING IS A CONTROLLED DOCUMENT.		DWN 20 JUN 2014 JASON YANG	TE Connectivity
		CHK 01 NOV 2016 SEAN HAN	
DIMENSIONS:	TOLERANCES UNLESS OTHERWISE SPECIFIED:	APVD -	NAME
mm	0 PLC ± 1 PLC ±0.25 2 PLC ±0.2 3 PLC ± 4 PLC ± ANGLES ± FINISH	PRODUCT SPEC 108-19428	RECEPTACLE CAGE ASSEMBLY WITH HEAT SINKS AND LIGHT PIPES, THRU BEZEL, 1X4, QSFP28, GASKET
MATERIAL	SEE NOTES	APPLICATION SPEC 114-32023	SIZE CAGE CODE DRAWING NO
SEE NOTES	SEE NOTES	WEIGHT -	A200779 C-2170785
		CUSTOMER DRAWING	RESTRICTED TO
		SCALE 3:1	SHEET 8 OF 9 REV A

THIS DRAWING IS UNPUBLISHED. RELEASED FOR PUBLICATION 20
 © COPYRIGHT 20 BY - ALL RIGHTS RESERVED.

REVISIONS				
P	LTR	DESCRIPTION	DATE	APVD
-		SEE SHEET 1	-	-



DETAIL D
SCALE 3:1



DETAIL E
SCALE 6:1

THIS DRAWING IS A CONTROLLED DOCUMENT.		DWN 20 JUN 2014 JASON YANG	STE TE Connectivity
		CHK 01 NOV 2016 SEAN HAN	
DIMENSIONS:	TOLERANCES UNLESS OTHERWISE SPECIFIED:	APVD -	NAME
mm	0 PLC ± 1 PLC ±0.25 2 PLC ±0.2 3 PLC ± 4 PLC ±	PRODUCT SPEC	RECEPTACLE CAGE ASSEMBLY WITH HEAT SINKS AND LIGHT PIPES, THRU BEZEL, 1X4, QSFP28, GASKET
	ANGLES ±	APPLICATION SPEC	SIZE CAGE CODE DRAWING NO
MATERIAL	FINISH	114-32023	A200779C-2170785
SEE NOTES	SEE NOTES	WEIGHT -	RESTRICTED TO
		CUSTOMER DRAWING	SCALE 3:1 SHEET 9 OF 9 REV A

X-ON Electronics

Largest Supplier of Electrical and Electronic Components

Click to view similar products for [I/O Connectors](#) category:

Click to view products by [TE Connectivity](#) manufacturer:

Other Similar products are found below :

[571763P](#) [58098-0628](#) [72.250.1628.2](#) [72.250.2428.2](#) [74720-0505](#) [76.350.0729.0](#) [76871-1403](#) [FCN-244F080-G/1](#) [FCN-260A9920](#) [PCR-E36PM](#) [PCS-XE26MA+](#) [G38A71314B](#) [DX40-50P\(55\)](#) [1571250010](#) [157-22500-3](#) [MS3471L14-19P L/C](#) [91-569786-35H](#) [172501-4002](#) [172501-6002](#) [FCN-260C008-A/L0](#) [FCN-260C024-AL0](#) [FCN-261Z008](#) [2000314-1](#) [200331-1](#) [PCR-E36FC+](#) [PCS-E28FS+](#) [PCS-XE26SLFD+](#) [PCS-XE26SLFDT+](#) [G730VID08BDC24](#) [U90B2054081210](#) [UE86K842720321](#) [38113800006](#) [DP3AR020WQ1R200](#) [Z4.102.0680.0](#) [500-1040](#) [500-1052](#) [500-1054](#) [ZP-4008-66L](#) [0709821002](#) [10-565995-597N](#) [DX40-20P\(55\)](#) [5554841-1](#) [MS3474W18-8P-LC*](#) [U90B3054061110](#) [U65-E04-4020](#) [ZPF000000000097891](#) [557-262M2-06C](#) [747360449](#) [10099439-003C-TRLF](#) [10137239-0021LF](#)