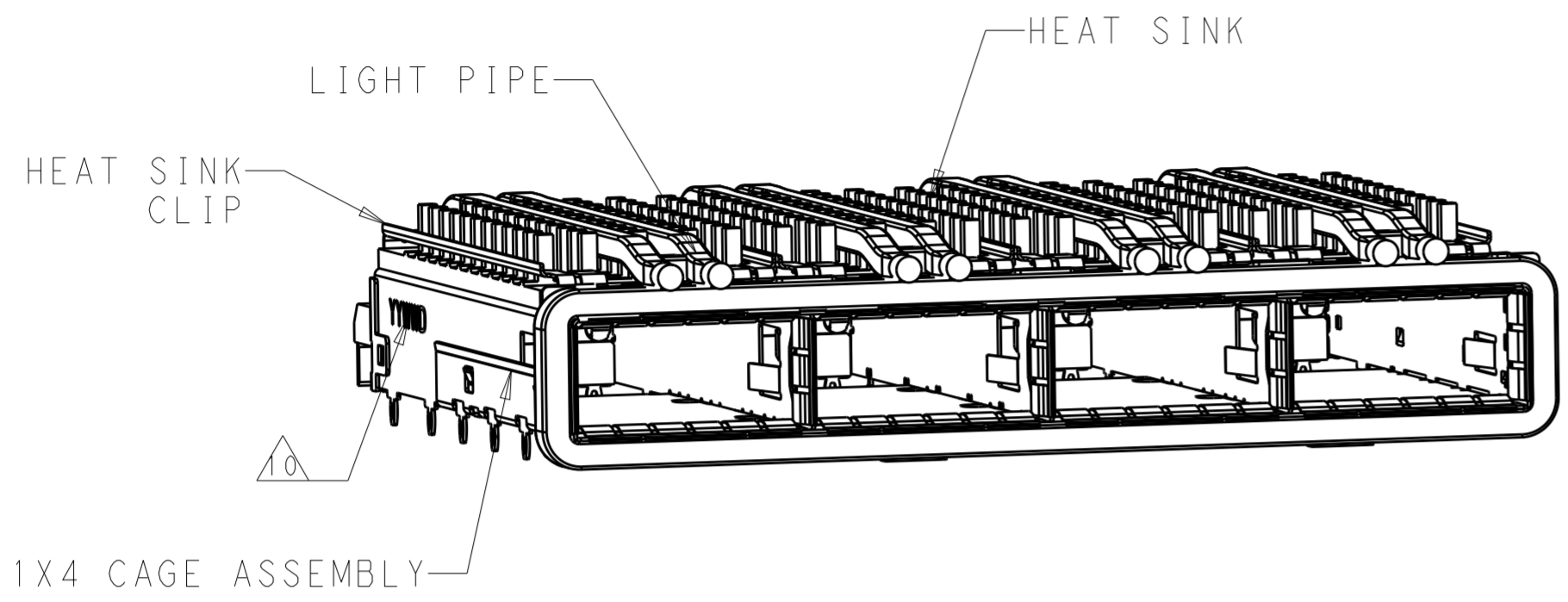
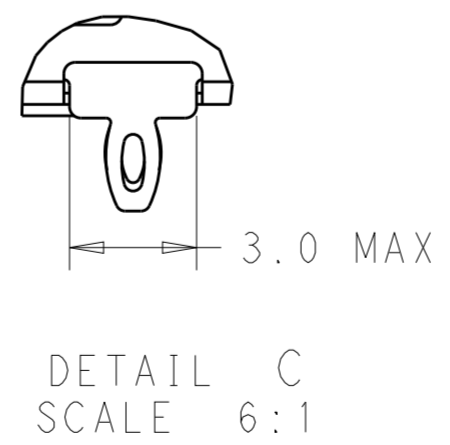
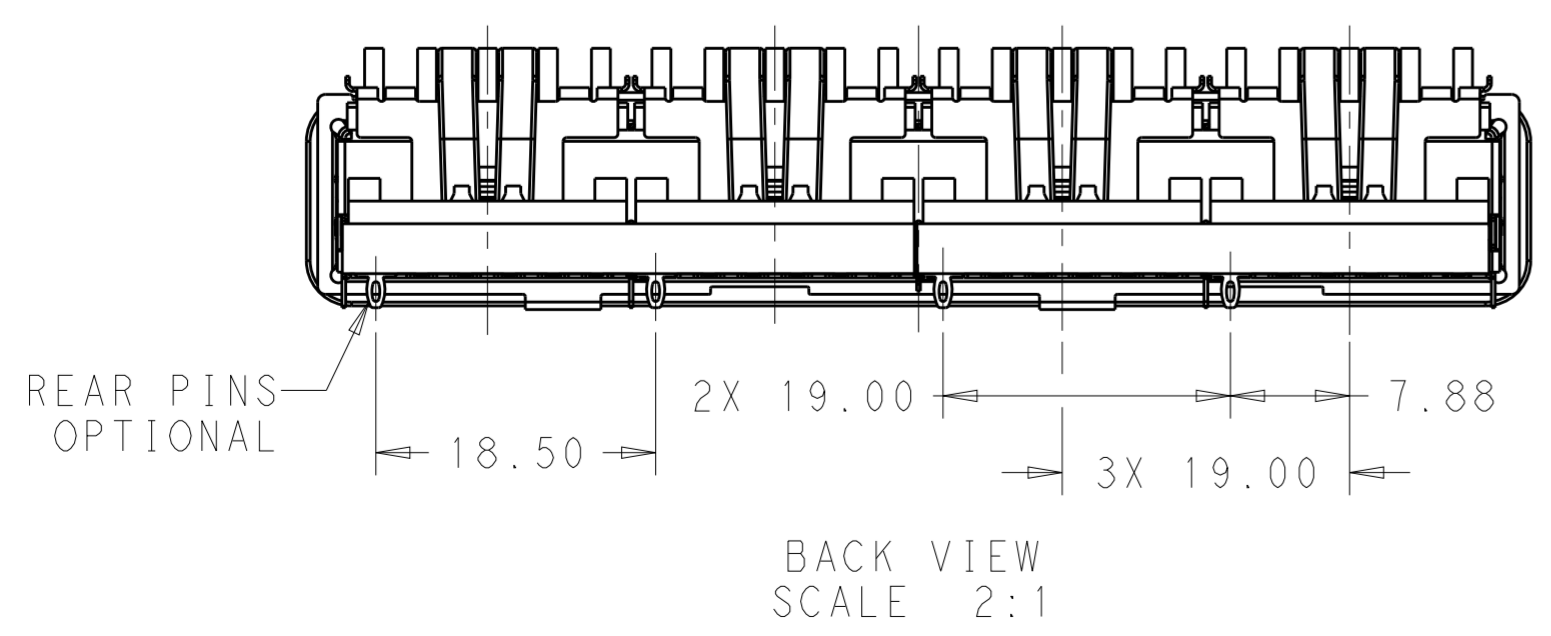
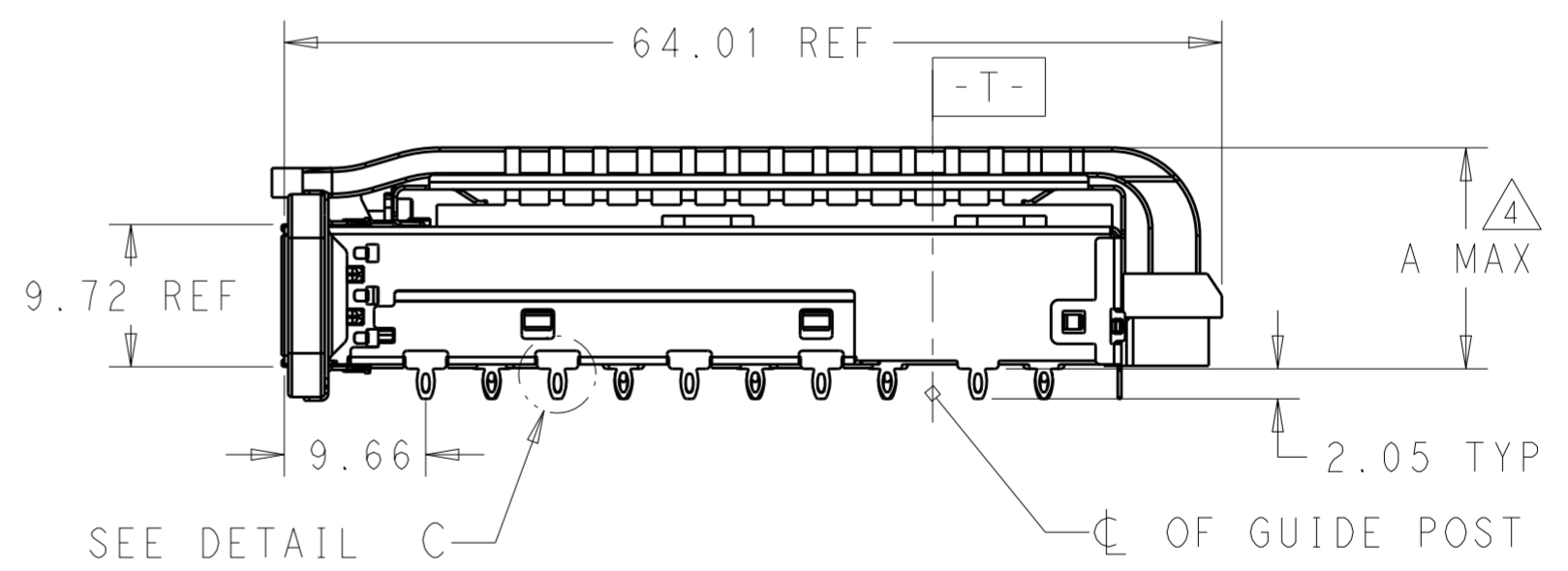
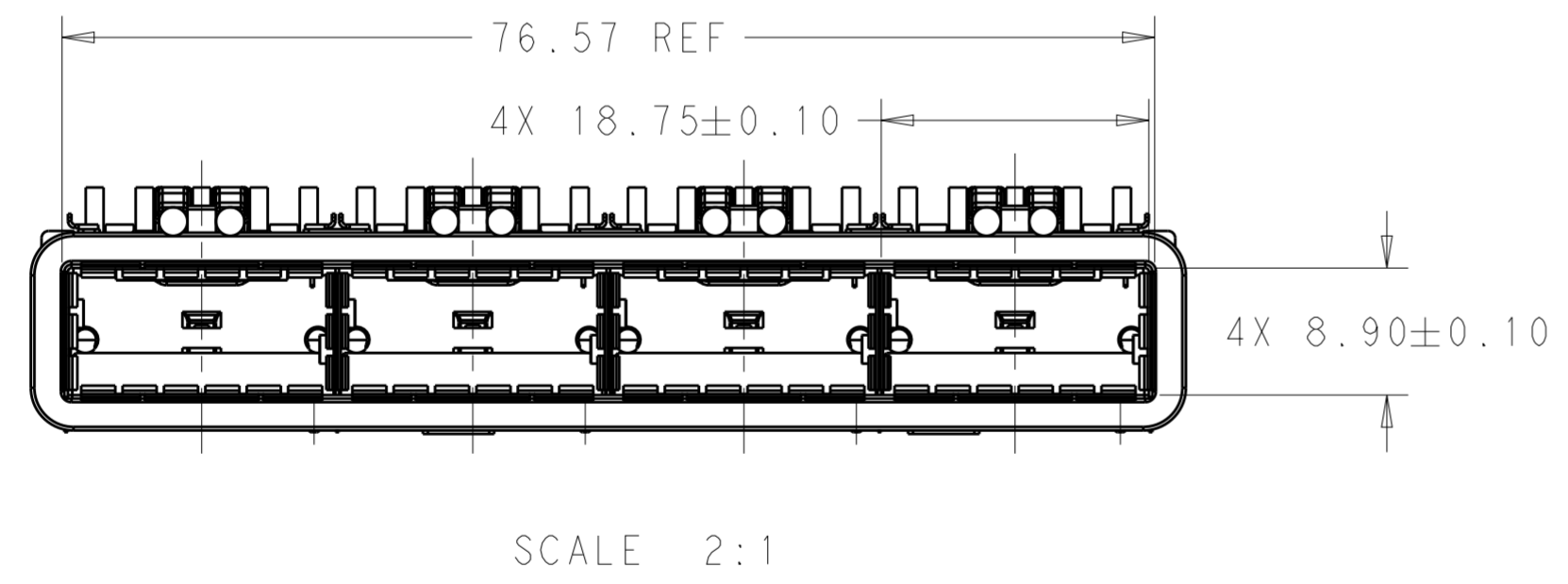


THIS DRAWING IS UNPUBLISHED. RELEASED FOR PUBLICATION 20  
 © COPYRIGHT 20 BY - ALL RIGHTS RESERVED.

| REVISIONS |     |             |           |       |
|-----------|-----|-------------|-----------|-------|
| P         | LTR | DESCRIPTION | DATE      | APVD  |
| A         |     | RELEASE     | 01NOV2016 | JY SH |
|           |     |             |           |       |
|           |     |             |           |       |



1. COMPONENTS  
 CAGE ASSEMBLY: NICKEL-SILVER ALLOY  
 HEAT SINK: ALUMINUM/BLACK ANODIZE  
 HEAT SINK CLIP: STAINLESS STEEL  
 EMI SPRING: COPPER ALLOY/NICKEL PLATE  
 EMI GASKET: PLATED FILLED SILICONE  
 LIGHT PIPE: CLEAR POLYCARBONATE WITH 94 V-0  
 ORGANIZER: POLYESTER WITH UL 94 V-0
2. REFERENCE APPLICATION SPECIFICATION 114-32023 FOR RECOMMENDED DRILL HOLE DIAMETER AND PLATING THICKNESS
3. DATUM AND BASIC DIMENSION ESTABLISHED BY CUSTOMER
4. DIMENSION APPLIES WITH MODULE INSERTED IN CAGE
5. HEAT SINKS, HEAT SINK CLIPS AND LIGHT PIPES ARE SHIPPED ASSEMBLED ON CAGE
6. MINIMUM PC BOARD THICKNESS: SINGLE SIDED: 1.57 MIN  
 DOUBLE SIDED: 3.00 MIN
7. DATUM -A- IS TOP SURFACE OF THE HOST BOARD.
8. THESE HOLES ARE OPTIONAL WHEN THE REAR PINS ARE REMOVED.
9. MATES WITH QSFP28 MSA COMPATIBLE TRANSCEIVER.
10. DATE CODE (YYWWD) MARKED APPROXIMATELY AS SHOWN.

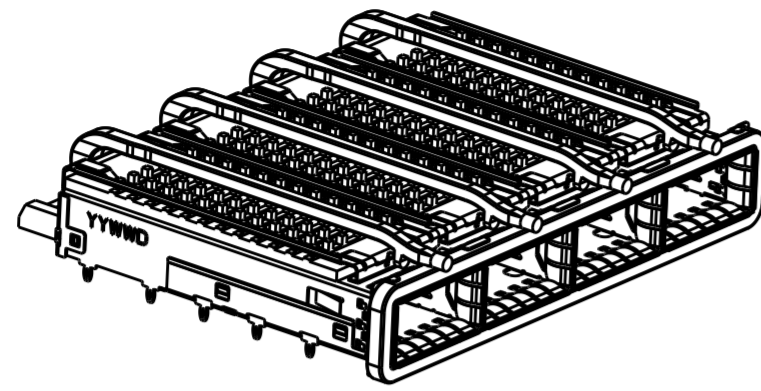


|  |  |                               |                            |  |
|--|--|-------------------------------|----------------------------|--|
| THIS DRAWING IS A CONTROLLED DOCUMENT. |  | DWN 20 JUN 2014<br>JASON YANG | TE Connectivity            |  |
|  |  | CHK 01 NOV 2016<br>SEAN HAN   |                            |  |
| DIMENSIONS: mm                         |  | APVD -                        | PRODUCT SPEC 108-19428     | NAME RECEPTACLE CAGE ASSEMBLY WITH HEAT SINKS AND LIGHT PIPES, THRU BEZEL, 1X4, QSFP28, GASKET |
| TOLERANCES UNLESS OTHERWISE SPECIFIED: |  | APVD -                        | APPLICATION SPEC 114-32023 | SIZE A2  |
| 0 PLC ±                                |  | APVD -                        | WEIGHT -                   | CAGE CODE 00779  |
| 1 PLC ±0.25                            |  | APVD -                        | CUSTOMER DRAWING           | DRAWING NO C-2170785   |
| 2 PLC ±0.2                             |  | APVD -                        | SCALE 3:1                  | RESTRICTED TO -  |
| 3 PLC ±                                |  | APVD -                        | SHEET 1 OF 9               | REV A  |
| 4 PLC ±                                |  | APVD -                        |                            |  |
| ANGLES ±                               |  | APVD -                        |                            |  |
| FINISH SEE NOTES                       |  | APVD -                        |                            |  |

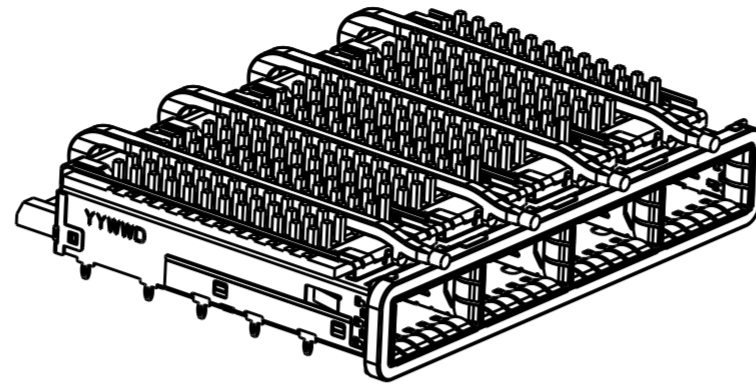
THIS DRAWING IS UNPUBLISHED. RELEASED FOR PUBLICATION 20  
 © COPYRIGHT 20 BY - ALL RIGHTS RESERVED.

| REVISIONS |     |             |      |      |
|-----------|-----|-------------|------|------|
| P         | LTR | DESCRIPTION | DATE | APVD |
| -         |     | SEE SHEET 1 | -    | -    |
|           |     |             |      |      |
|           |     |             |      |      |

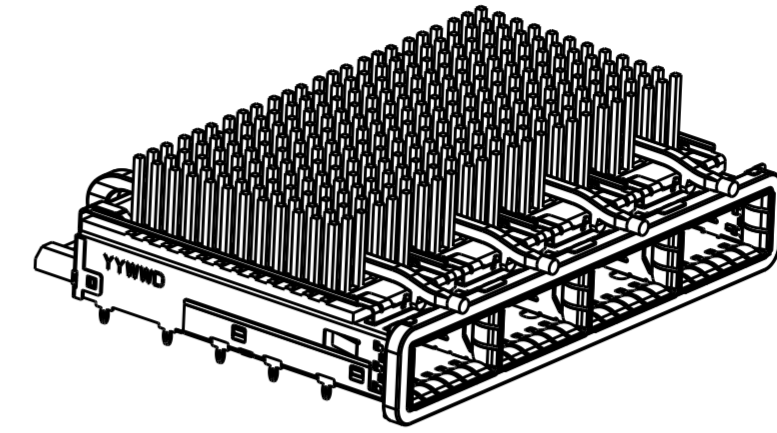
# HEAT SINK OPTION



PCI HEAT SINK  
SCALE 1:1

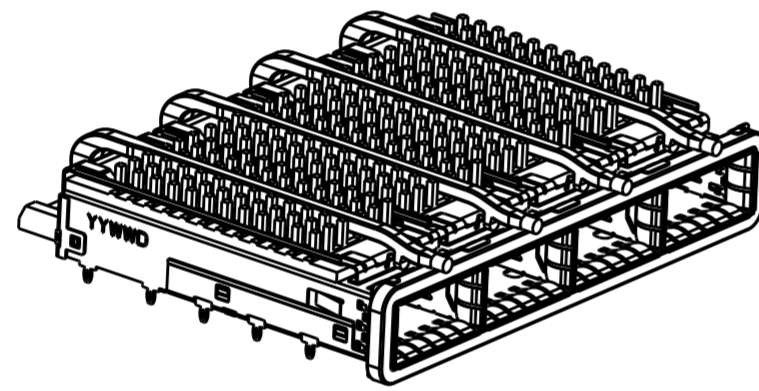


SAN HEAT SINK  
SCALE 1:1

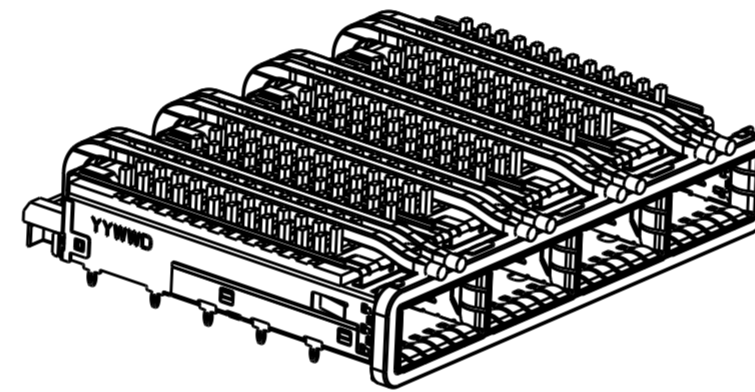


NETWORKING HEAT SINK  
SCALE 1:1

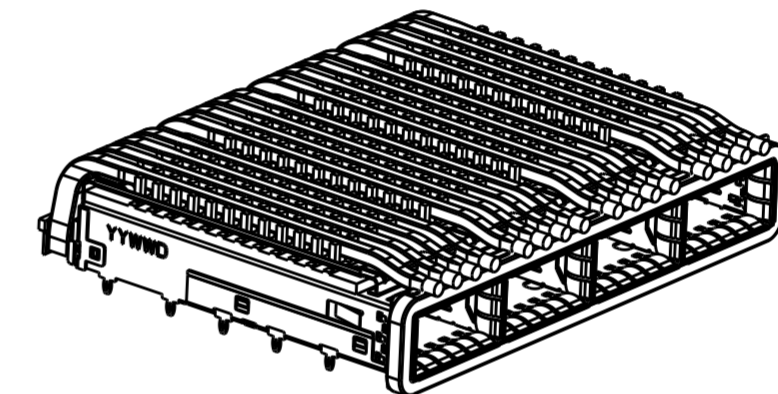
# LIGHT PIPE OPTION



SINGLE LOGHT PIPE  
SCALE 1:1

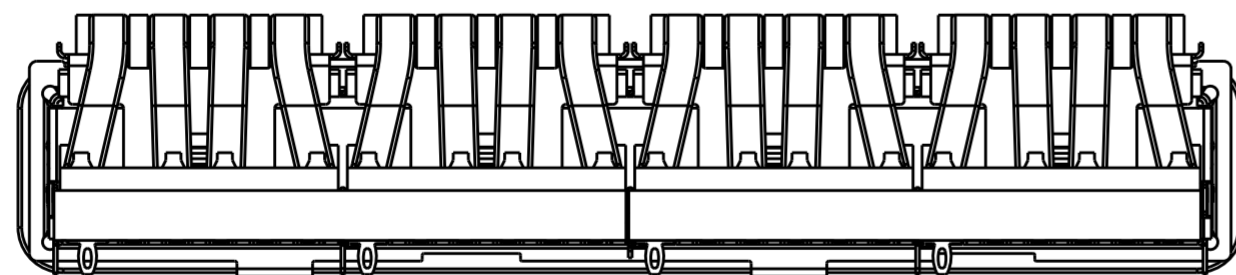


DUAL LIGHT PIPE  
SCALE 1:1

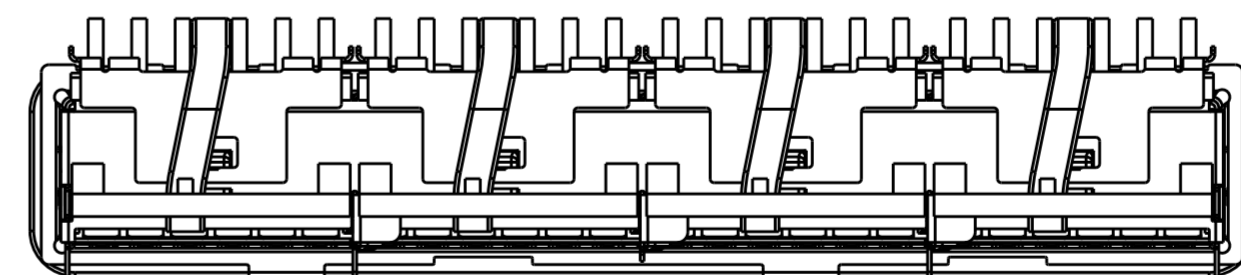


QUAD LIGHT PIPE  
SCALE 1:1


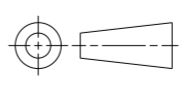
# # OF REAR PIN OPTION



1 REAR PIN  
SCALE 2:1




0 REAR PIN  
SCALE 2:1

|   |  |                                  |   |
|---|--|----------------------------------|---|
| THIS DRAWING IS A CONTROLLED DOCUMENT.  |  | DWN<br>JASON YANG<br>20 JUN 2014 |  TE Connectivity |
|   |  | CHK<br>SEAN HAN<br>01 NOV 2016   |   |
| DIMENSIONS:<br>mm   | TOLERANCES UNLESS OTHERWISE SPECIFIED: | APVD<br>-                        | NAME<br>RECEPTACLE CAGE ASSEMBLY WITH HEAT SINKS AND LIGHT PIPES, THRU BEZEL, 1X4, QSFP28, GASKET     |
|  | 0 PLC ±                                | PRODUCT SPEC<br>108-19428        | SIZE<br>A200779   |
|   | 1 PLC ±0.25                            | APPLICATION SPEC<br>114-32023    | CAGE CODE<br>C-2170785  |
| MATERIAL<br>SEE NOTES   | FINISH<br>SEE NOTES                    | WEIGHT<br>-                      | DRAWING NO<br>-   |
|   |  | CUSTOMER DRAWING                 | RESTRICTED TO<br>-  |
|   |  | SCALE 3:1                        | SHEET 2 OF 9  |
|   |  |                                  | REV A   |

THIS DRAWING IS UNPUBLISHED. RELEASED FOR PUBLICATION 20  
 © COPYRIGHT 20 BY - ALL RIGHTS RESERVED.

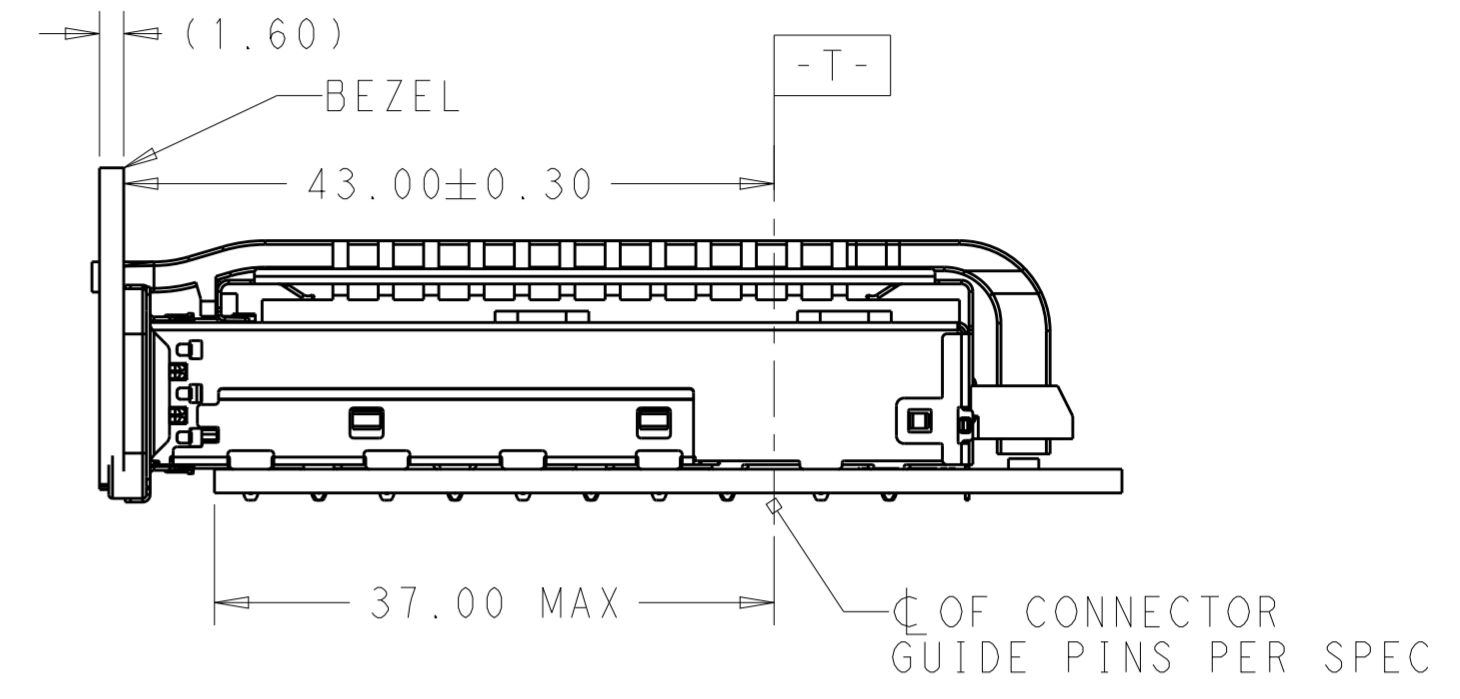
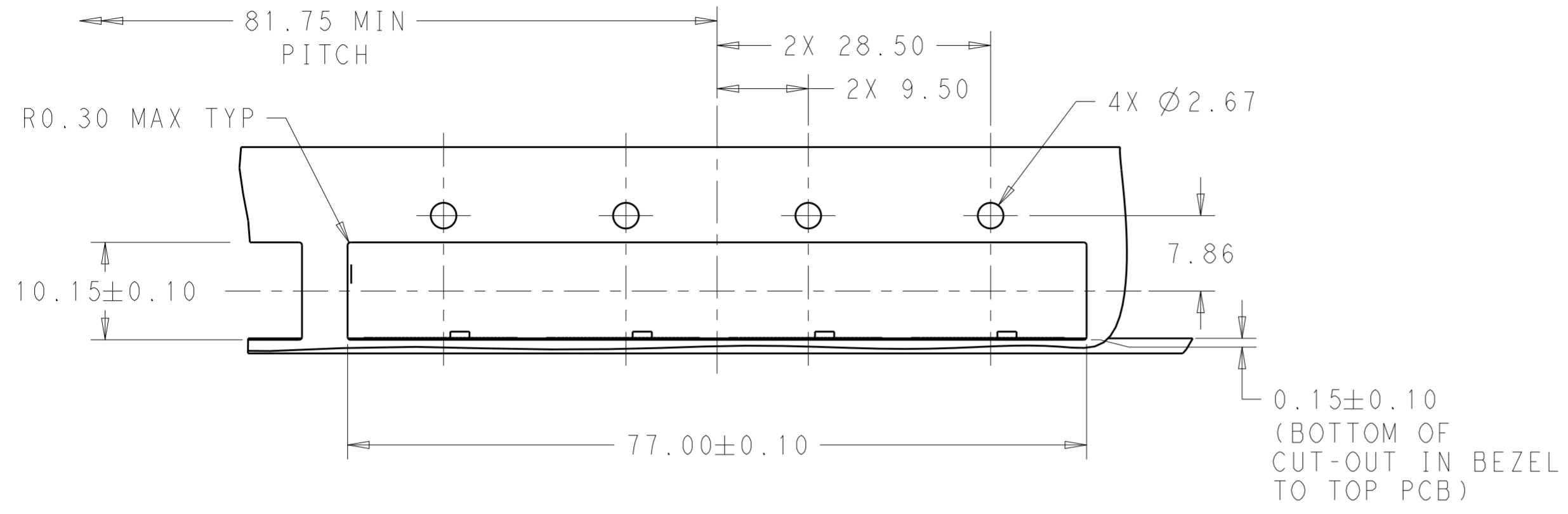
| REVISIONS |     |             |      |      |
|-----------|-----|-------------|------|------|
| P         | LTR | DESCRIPTION | DATE | APVD |
| -         |     | SEE SHEET 1 | -    | -    |
|           |     |             |      |      |
|           |     |             |      |      |

|               |       |             |                   |             |
|---------------|-------|-------------|-------------------|-------------|
| 0             | 23.0  | NETWORKING  | QUAD              | 4-2170785-6 |
| 0             | 16.0  | SAN         | QUAD              | 4-2170785-5 |
| 0             | 13.7  | PCI         | QUAD              | 4-2170785-4 |
| 1             | 23.0  | NETWORKING  | QUAD              | 4-2170785-3 |
| 1             | 16.0  | SAN         | QUAD              | 4-2170785-2 |
| 1             | 13.7  | PCI         | QUAD              | 4-2170785-1 |
| 0             | 23.0  | NETWORKING  | DUAL              | 2-2170785-6 |
| 0             | 16.0  | SAN         | DUAL              | 2-2170785-5 |
| 0             | 13.7  | PCI         | DUAL              | 2-2170785-4 |
| 1             | 23.0  | NETWORKING  | DUAL              | 2-2170785-3 |
| 1             | 16.0  | SAN         | DUAL              | 2-2170785-2 |
| 1             | 13.7  | PCI         | DUAL              | 2-2170785-1 |
| 0             | 23.0  | NETWORKING  | SINGLE            | 2170785-6   |
| 0             | 16.0  | SAN         | SINGLE            | 2170785-5   |
| 0             | 13.7  | PCI         | SINGLE            | 2170785-4   |
| 1             | 23.0  | NETWORKING  | SINGLE            | 2170785-3   |
| 1             | 16.0  | SAN         | SINGLE            | 2170785-2   |
| 1             | 13.7  | PCI         | SINGLE            | 2170785-1   |
| # OF REAR PIN | DIM A | APPLICATION | LIGHT PIPE OPTION | PART NUMBER |

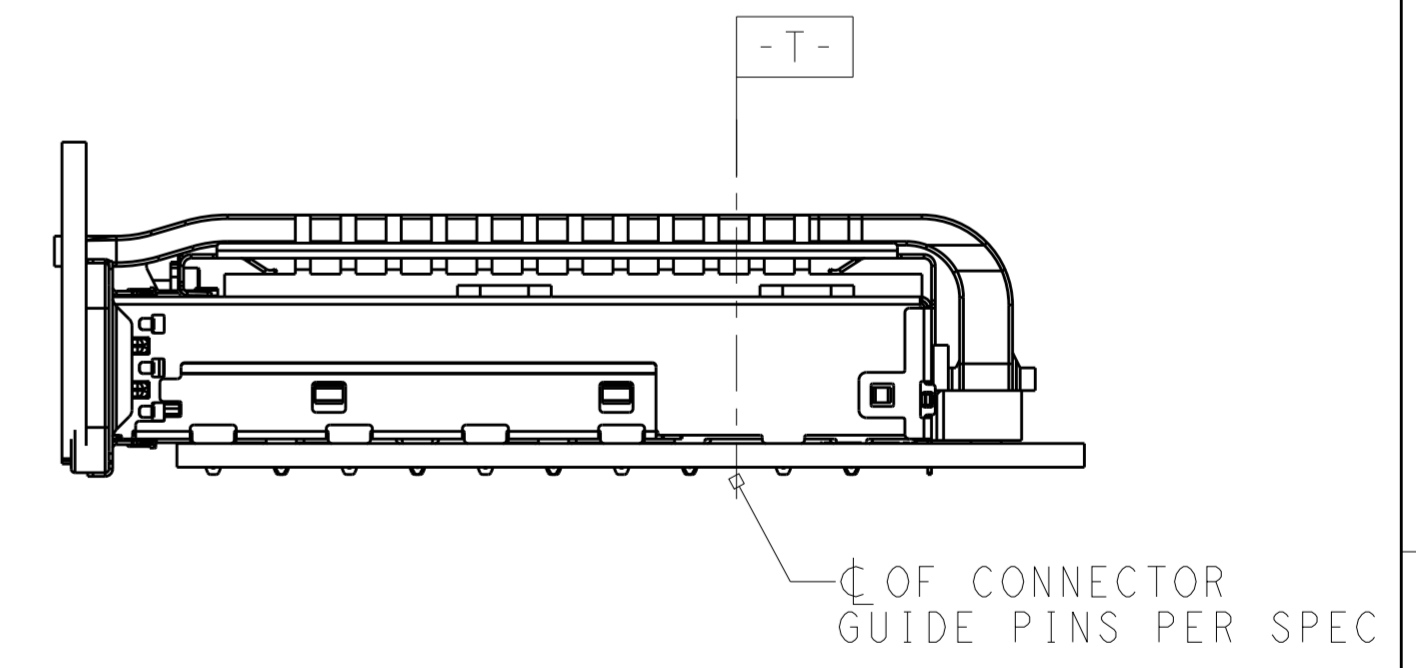
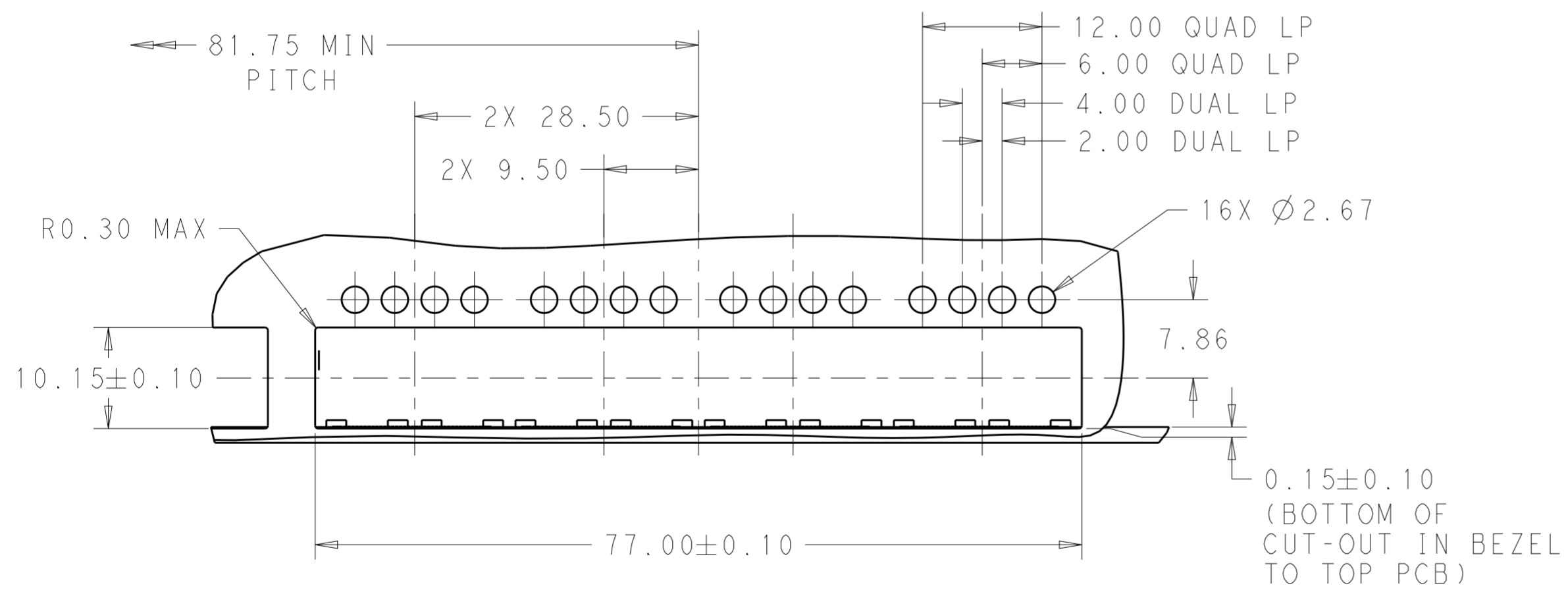
|  |  |  |   |   |
|--|--|--|---|---|
| THIS DRAWING IS A CONTROLLED DOCUMENT.                     |  | DWN 20 JUN 2014<br>JASON YANG          |  TE Connectivity |   |
|  |  | CHK 01 NOV 2016<br>SEAN HAN            |   |   |
| DIMENSIONS:<br>mm  |  | TOLERANCES UNLESS OTHERWISE SPECIFIED: |   | NAME<br>RECEPTACLE CAGE ASSEMBLY WITH HEAT SINKS AND LIGHT PIPES, THRU BEZEL, 1X4, QSFP28, GASKET |
| 0 PLC ±<br>1 PLC ±0.25<br>2 PLC ±0.2<br>3 PLC ±<br>4 PLC ± |  | APVD -                                 |   | PRODUCT SPEC<br>108-19428   |
| MATERIAL<br>SEE NOTES                                      |  | FINISH<br>SEE NOTES                    |   | APPLICATION SPEC<br>114-32023   |
|  |  | WEIGHT -                               |   | SIZE CAGE CODE DRAWING NO<br>A200779 C-2170785  |
|  |  | CUSTOMER DRAWING                       |   | RESTRICTED TO<br>-  |
|  |  | SCALE 3:1                              |   | SHEET 3 OF 9 REV A  |

THIS DRAWING IS UNPUBLISHED. RELEASED FOR PUBLICATION 20  
 © COPYRIGHT 20 BY - ALL RIGHTS RESERVED.

| REVISIONS |     |             |      |      |
|-----------|-----|-------------|------|------|
| P         | LTR | DESCRIPTION | DATE | APVD |
| -         | -   | SEE SHEET 1 | -    | -    |
|           |     |             |      |      |
|           |     |             |      |      |



SINGLE SIDE MOUNTING  
SCALE 2:1

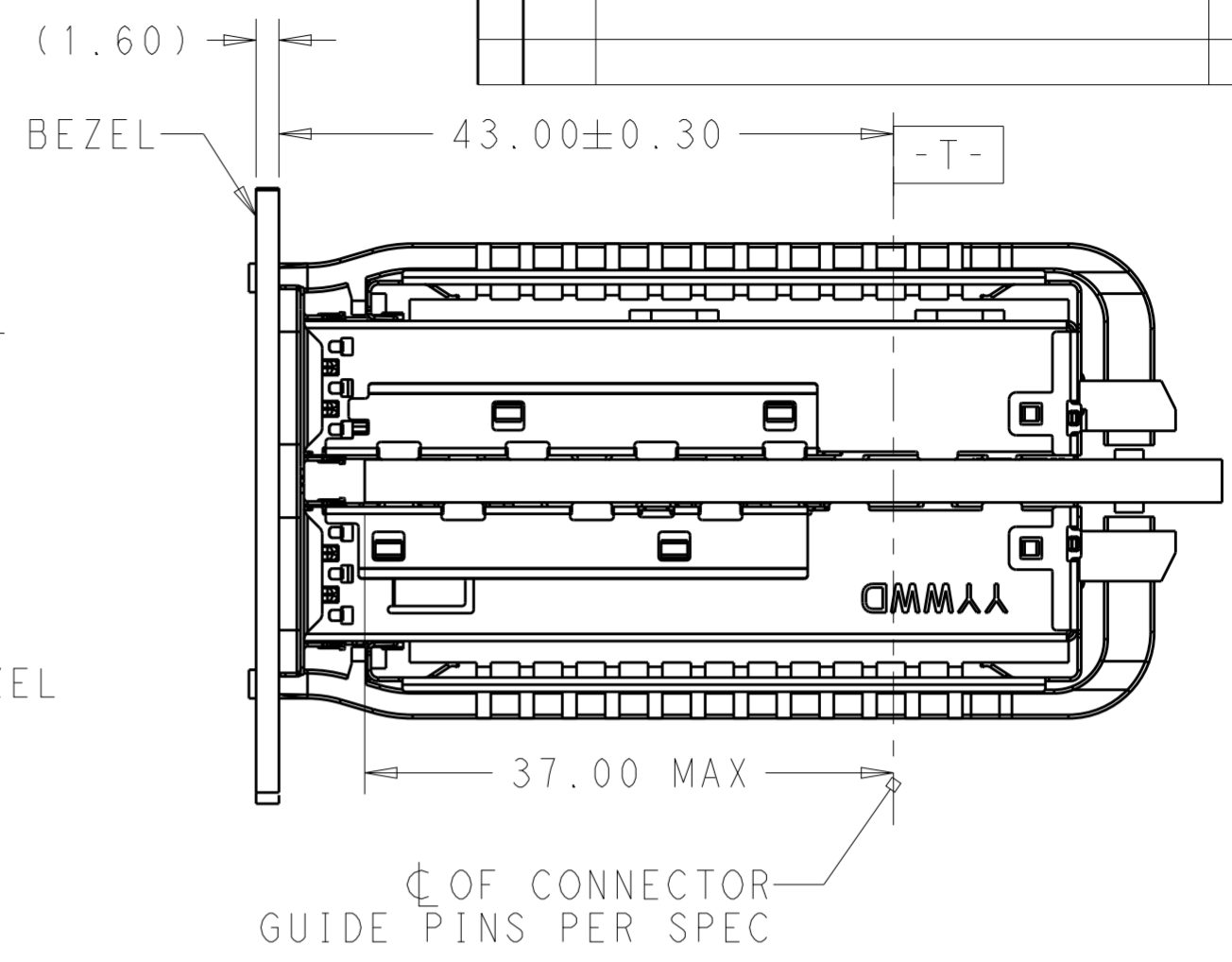
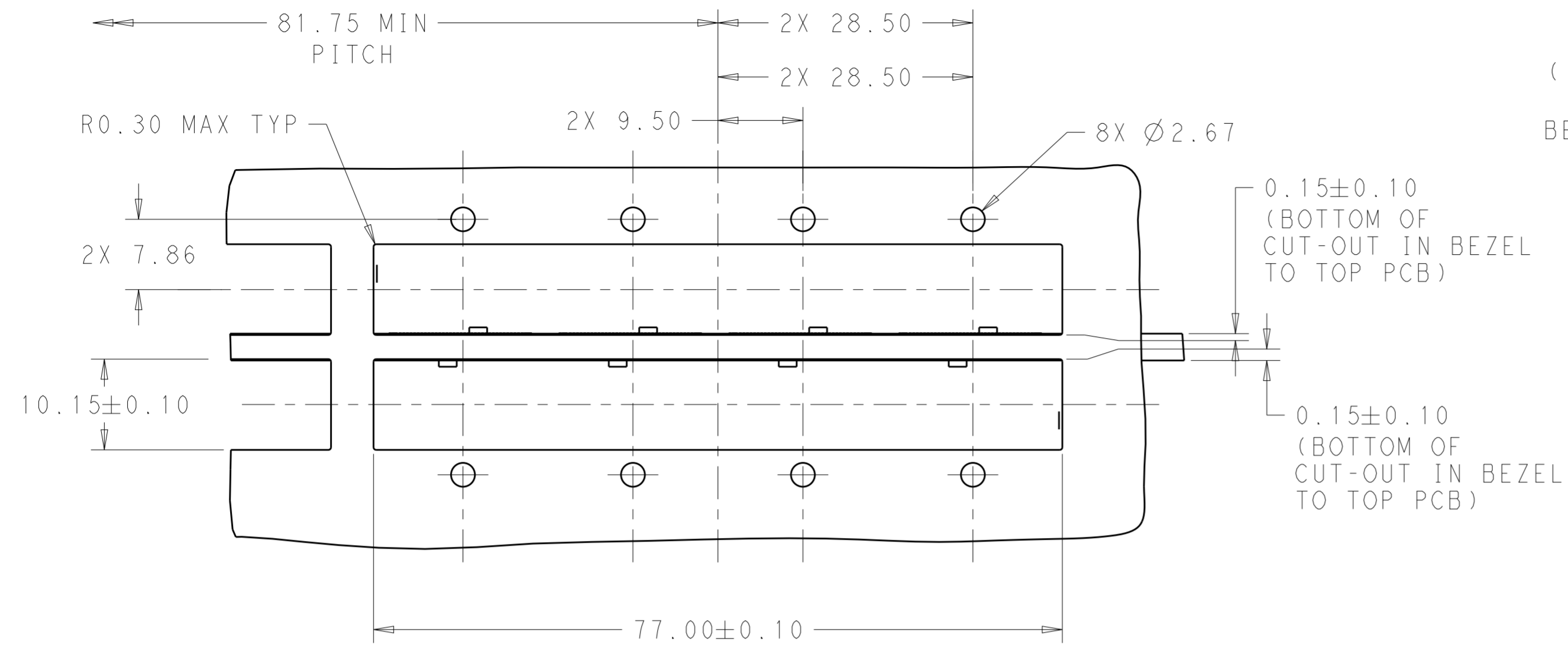


SINGLE SIDE MOUNTING  
SCALE 2:1

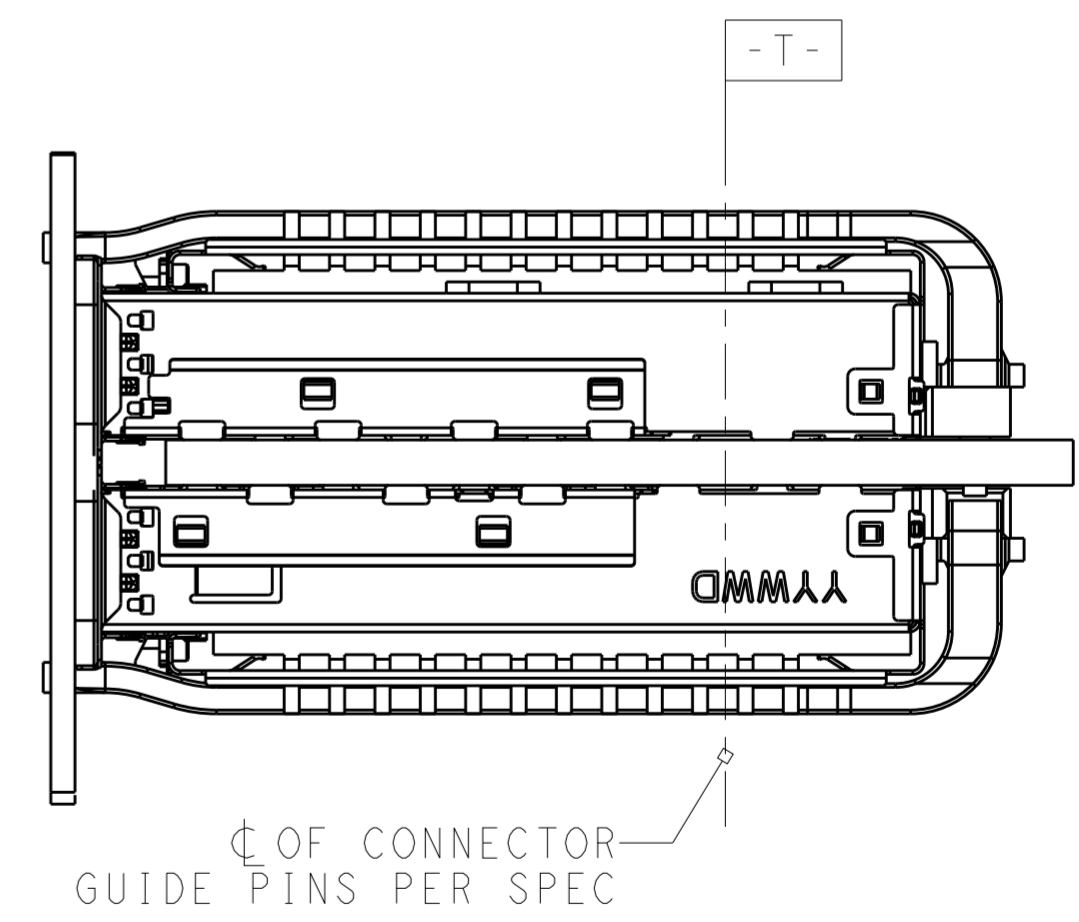
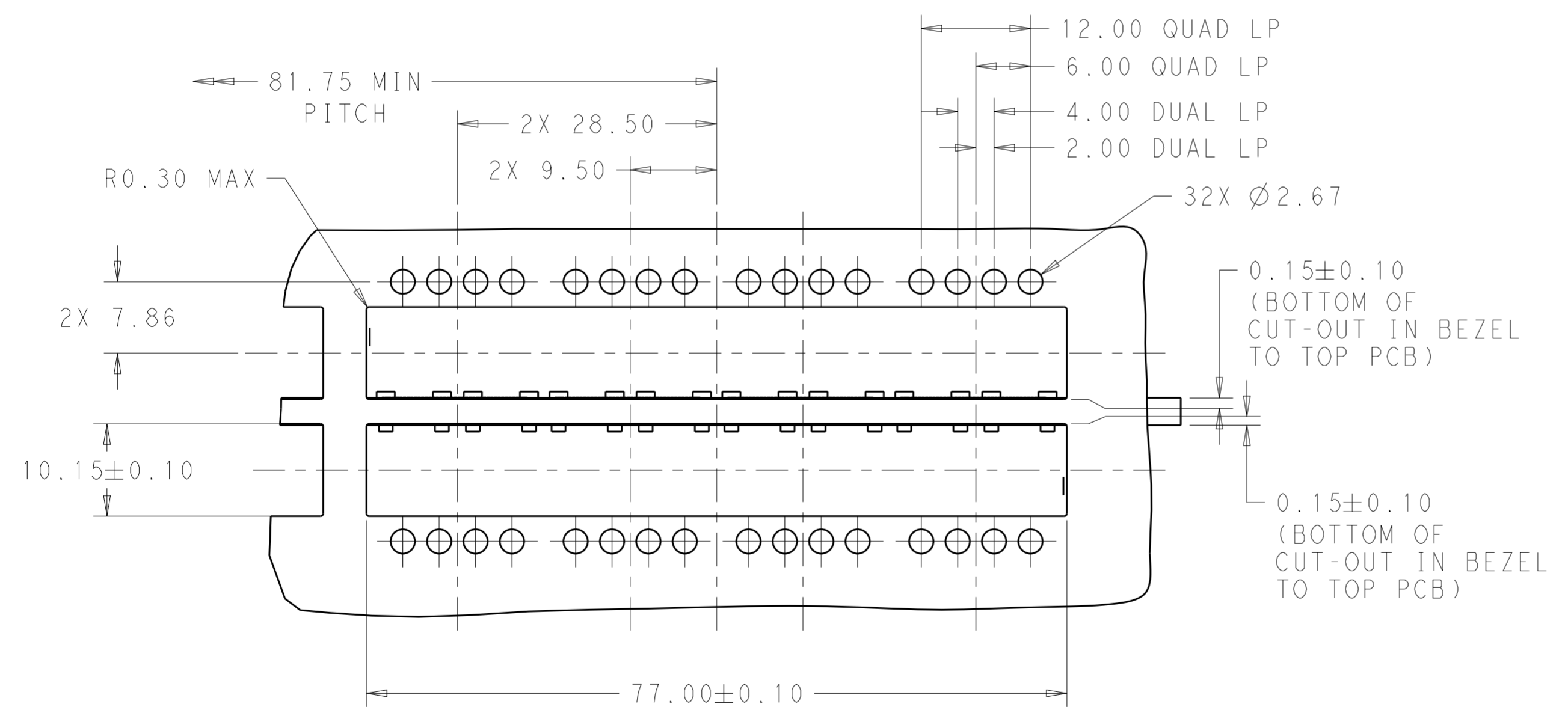
|  |  |                               |  |  |
|--|--|-------------------------------|--|--|
| THIS DRAWING IS A CONTROLLED DOCUMENT. |  | DWN 20 JUN 2014<br>JASON YANG | TE Connectivity  |  |
|  |  | CHK 01 NOV 2016<br>SEAN HAN   |  |  |
| DIMENSIONS:                            | TOLERANCES UNLESS OTHERWISE SPECIFIED:   | APVD -                        | NAME RECEPTACLE CAGE ASSEMBLY WITH HEAT SINKS AND LIGHT PIPES, THRU BEZEL, 1X4, QSFP28, GASKET |  |
| mm                                     | 0 PLC ±<br>1 PLC ±0.25<br>2 PLC ±0.2<br>3 PLC ±<br>4 PLC ±<br>ANGLES ±<br>FINISH | PRODUCT SPEC 108-19428        | SIZE CAGE CODE DRAWING NO RESTRICTED TO  |  |
| MATERIAL SEE NOTES                     | SEE NOTES  | APPLICATION SPEC 114-32023    | A200779 C-2170785  |  |
|  |  | WEIGHT -                      | SCALE 3:1 SHEET 4 OF 9 REV A   |  |
|  |  | CUSTOMER DRAWING              |  |  |

THIS DRAWING IS UNPUBLISHED. RELEASED FOR PUBLICATION 20  
 © COPYRIGHT 20 BY - ALL RIGHTS RESERVED.

| REVISIONS |     |             |      |      |
|-----------|-----|-------------|------|------|
| P         | LTR | DESCRIPTION | DATE | APVD |
| -         | -   | SEE SHEET 1 | -    | -    |



BELLY TO BELLY MOUNTING  
SCALE 2:1

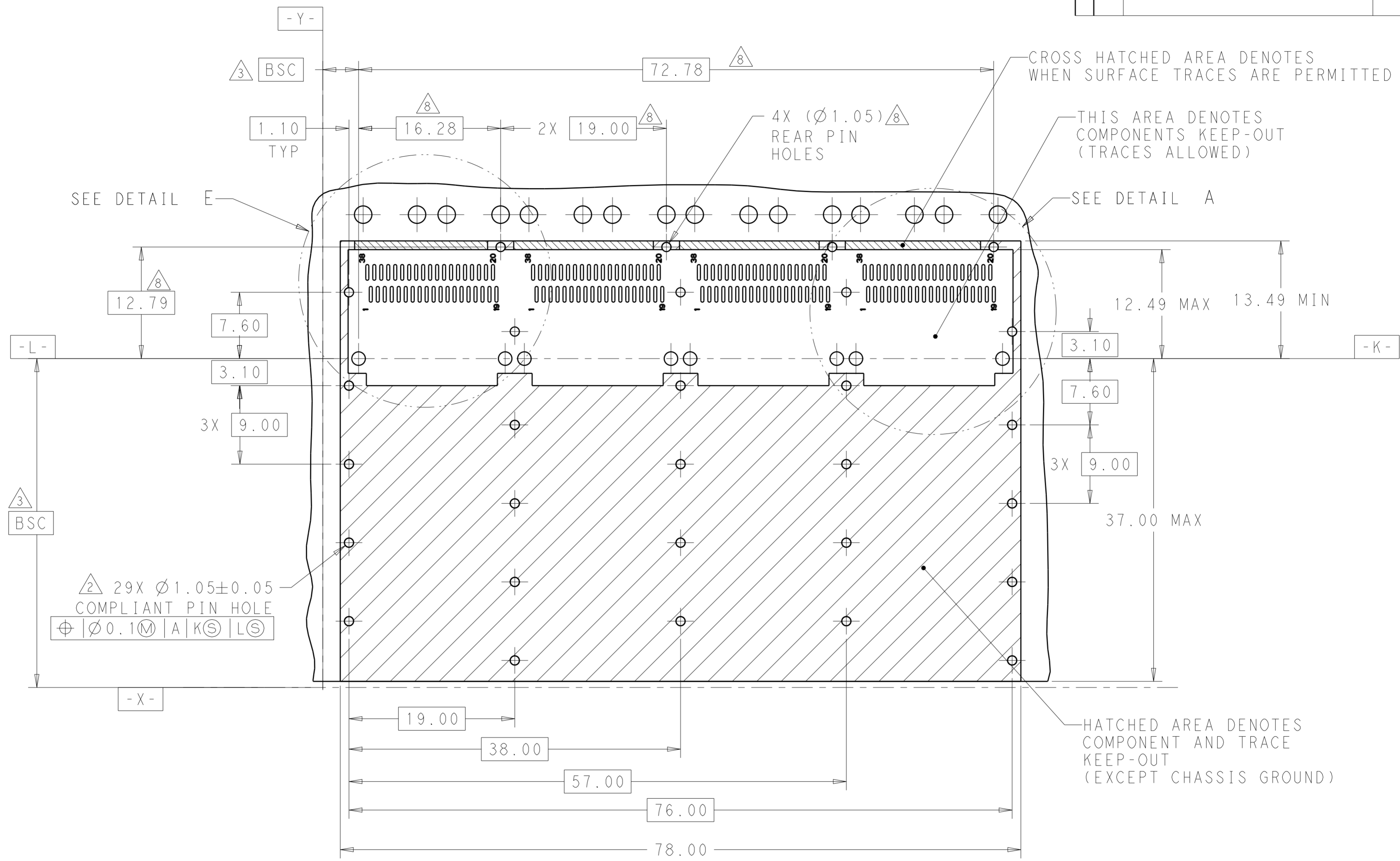


BELLY TO BELLY MOUNTING  
SCALE 2:1

|  |  |                                  |                      |   |
|--|--|----------------------------------|----------------------|---|
| THIS DRAWING IS A CONTROLLED DOCUMENT. |  | DWN<br>JASON YANG<br>20 JUN 2014 | TE Connectivity      |   |
|  |  | CHK<br>SEAN HAN<br>01 NOV 2016   |                      |   |
| DIMENSIONS:                            | TOLERANCES UNLESS OTHERWISE SPECIFIED:   | APVD                             | NAME                 | RECEPTACLE CAGE ASSEMBLY WITH HEAT SINKS AND LIGHT PIPES, THRU BEZEL, 1X4, QSFP28, GASKET |
| mm                                     | 0 PLC ±<br>1 PLC ±0.25<br>2 PLC ±0.2<br>3 PLC ±<br>4 PLC ±<br>ANGLES ±<br>FINISH | PRODUCT SPEC<br>108-19428        | SIZE                 |   |
| MATERIAL<br>SEE NOTES                  | SEE NOTES  | APPLICATION SPEC<br>114-32023    | CAGE CODE<br>A200779 | DRAWING NO<br>C-2170785   |
|  |  | WEIGHT                           | RESTRICTED TO        |   |
|  |  | CUSTOMER DRAWING                 | SCALE 3:1            | SHEET 5 OF 9 REV A  |

THIS DRAWING IS UNPUBLISHED. RELEASED FOR PUBLICATION 20  
 © COPYRIGHT 20 BY - ALL RIGHTS RESERVED.

| REVISIONS |     |             |      |      |
|-----------|-----|-------------|------|------|
| P         | LTR | DESCRIPTION | DATE | APVD |
| -         | -   | SEE SHEET 1 | -    | -    |
|           |     |             |      |      |
|           |     |             |      |      |

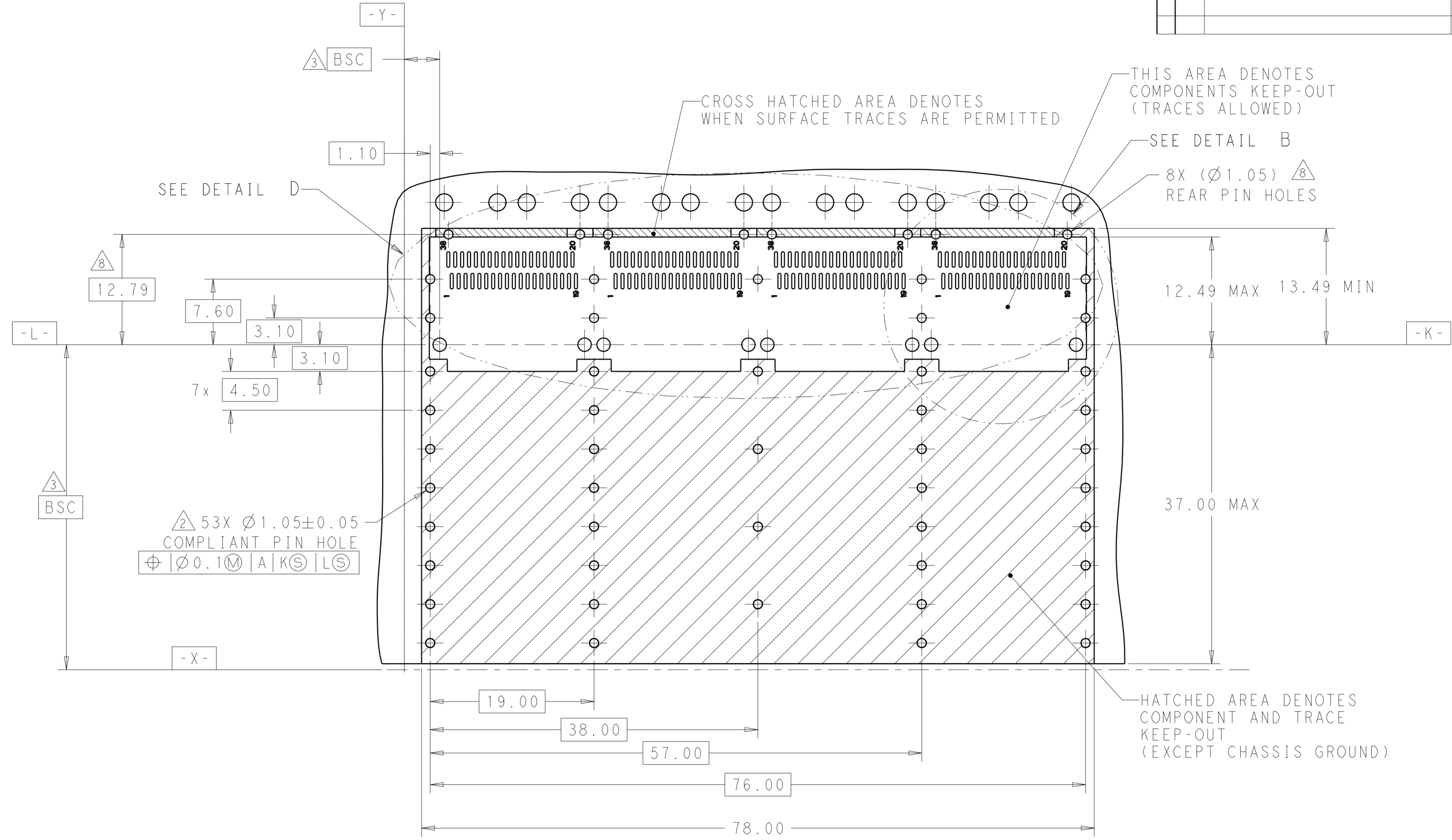


RECOMMENDED PCB LAYOUT  
 SINGLE TYPE  
 PCB TOLERANCE: ±0.05  
 SCALE 3:1

|  |  |                               |  |  |
|--|--|-------------------------------|--|--|
| THIS DRAWING IS A CONTROLLED DOCUMENT. |  | DWN 20 JUN 2014<br>JASON YANG | TE Connectivity  |  |
|  |  | CHK 01 NOV 2016<br>SEAN HAN   |  |  |
| DIMENSIONS: mm                         |  | APVD -                        | NAME RECEPTACLE CAGE ASSEMBLY WITH HEAT SINKS AND LIGHT PIPES, THRU BEZEL, 1X4, QSFP28, GASKET |  |
| TOLERANCES UNLESS OTHERWISE SPECIFIED: |  | PRODUCT SPEC 108-19428        | SIZE CAGE CODE DRAWING NO RESTRICTED TO  |  |
| 0 PLC ±-                               |  | APPLICATION SPEC 114-32023    | A200779 C-2170785  |  |
| 1 PLC ±0.25                            |  | WEIGHT -                      | SCALE 3:1 SHEET 6 OF 9 REV A   |  |
| 2 PLC ±0.2                             |  | CUSTOMER DRAWING              |  |  |
| 3 PLC ±-                               |  |                               |  |  |
| 4 PLC ±-                               |  |                               |  |  |
| ANGLES ±-                              |  |                               |  |  |
| FINISH SEE NOTES                       |  |                               |  |  |

THIS DRAWING IS UNPUBLISHED. RELEASED FOR PUBLICATION 20  
 © COPYRIGHT 20 BY - ALL RIGHTS RESERVED.

| REVISIONS |     |             |      |      |
|-----------|-----|-------------|------|------|
| P         | LTR | DESCRIPTION | DATE | APVD |
| -         | -   | SEE SHEET 1 | -    | -    |
|           |     |             |      |      |
|           |     |             |      |      |

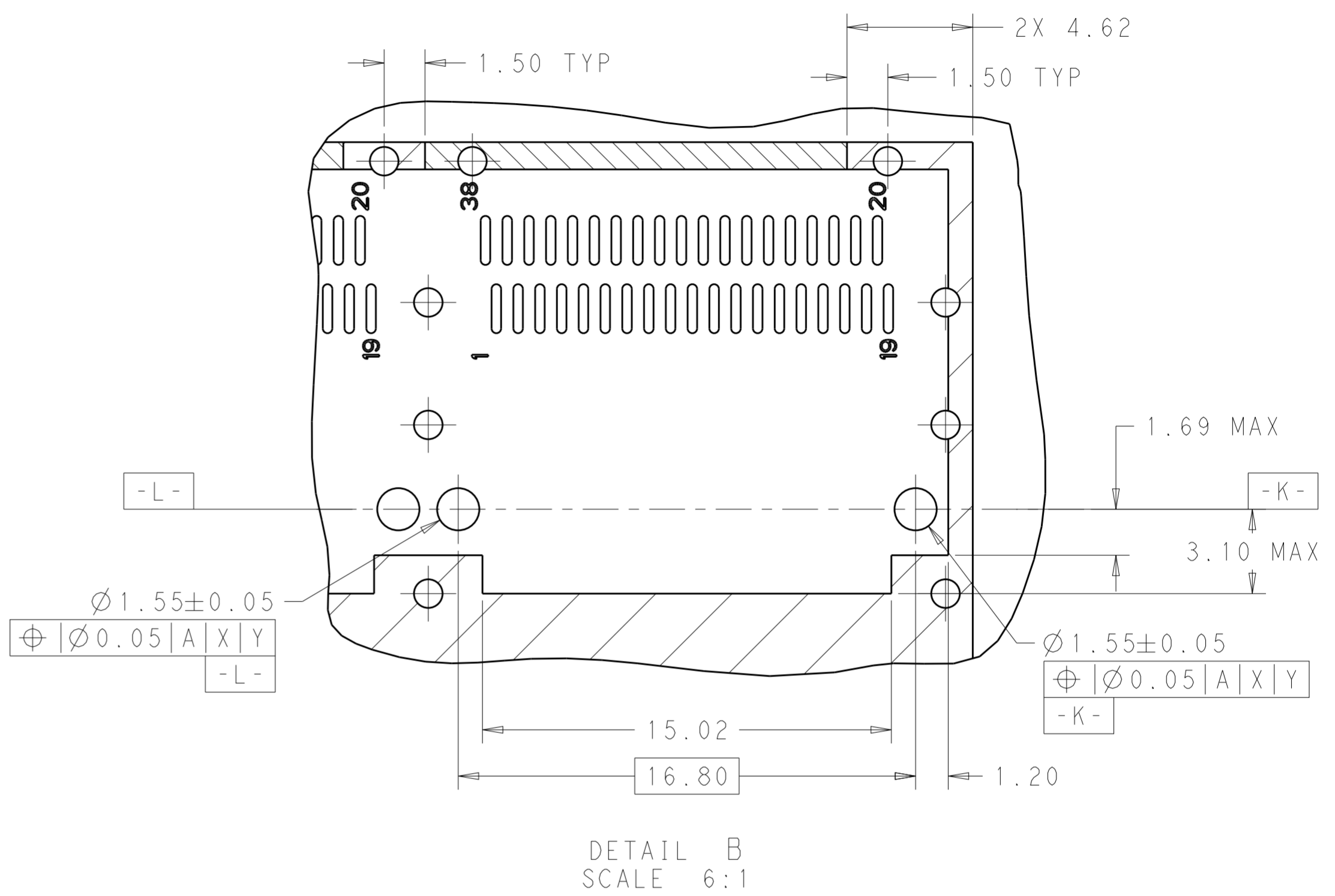
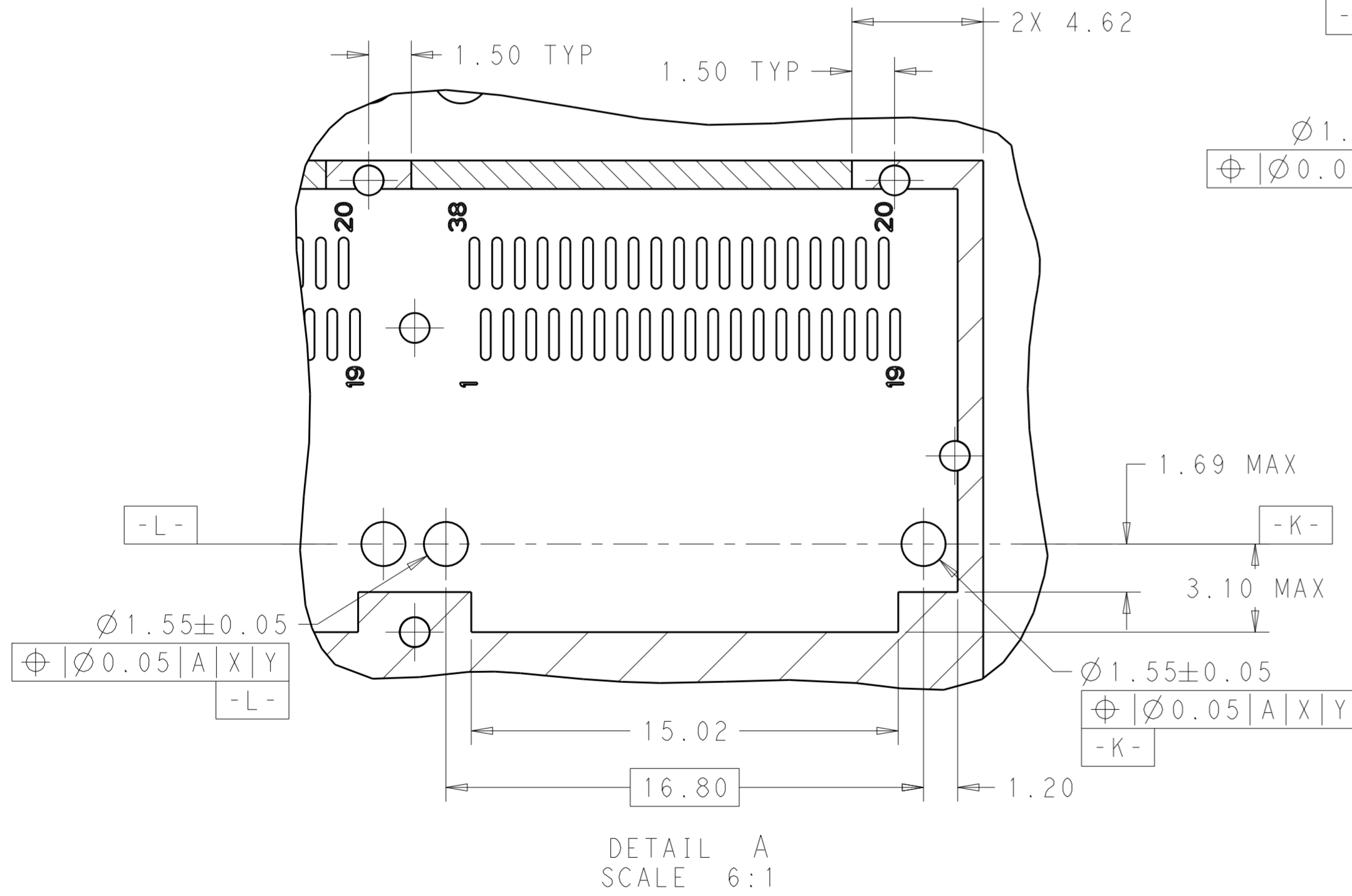


RECOMMENDED PCB LAYOUT  
 BELLY TO BELLY TYPE  
 PCB TOLERANCE: ±0.05  
 SCALE 3:1

|  |  |                                  |                 |   |
|--|--|----------------------------------|-----------------|---|
| THIS DRAWING IS A CONTROLLED DOCUMENT. |  | DWN<br>JASON YANG<br>20 JUN 2014 | TE Connectivity |   |
|  |  | CHK<br>SEAN HAN<br>01 NOV 2016   |                 |   |
| DIMENSIONS:<br>mm                      |  | APVD<br>-                        |                 | NAME<br>RECEPTACLE CAGE ASSEMBLY<br>WITH HEAT SINKS AND LIGHT PIPES,<br>THRU BEZEL, 1X4, QSFP28, GASKET |
| TOLERANCES UNLESS OTHERWISE SPECIFIED: |  | PRODUCT SPEC<br>108-19428        |                 | SIZE<br>A2  |
| 0 PLC ±-                               |  | APPLICATION SPEC<br>114-32023    |                 | CAGE CODE<br>00779  |
| 1 PLC ±0.25                            |  | WEIGHT<br>-                      |                 | DRAWING NO<br>C-2170785   |
| 2 PLC ±0.2                             |  | CUSTOMER DRAWING                 |                 | RESTRICTED TO<br>-  |
| 3 PLC ±-                               |  | SCALE 3:1                        |                 | SHEET 7 OF 9  |
| 4 PLC ±-                               |  | SCALE 3:1                        |                 | REV A   |
| ANGLES ±-                              |  | SCALE 3:1                        |                 | REV A   |
| FINISH SEE NOTES                       |  | SCALE 3:1                        |                 | REV A   |
| MATERIAL SEE NOTES                     |  | SCALE 3:1                        |                 | REV A   |

THIS DRAWING IS UNPUBLISHED. RELEASED FOR PUBLICATION 20  
 © COPYRIGHT 20 BY - ALL RIGHTS RESERVED.

| REVISIONS |     |             |      |      |
|-----------|-----|-------------|------|------|
| P         | LTR | DESCRIPTION | DATE | APVD |
| -         | -   | SEE SHEET 1 | -    | -    |
|           |     |             |      |      |
|           |     |             |      |      |

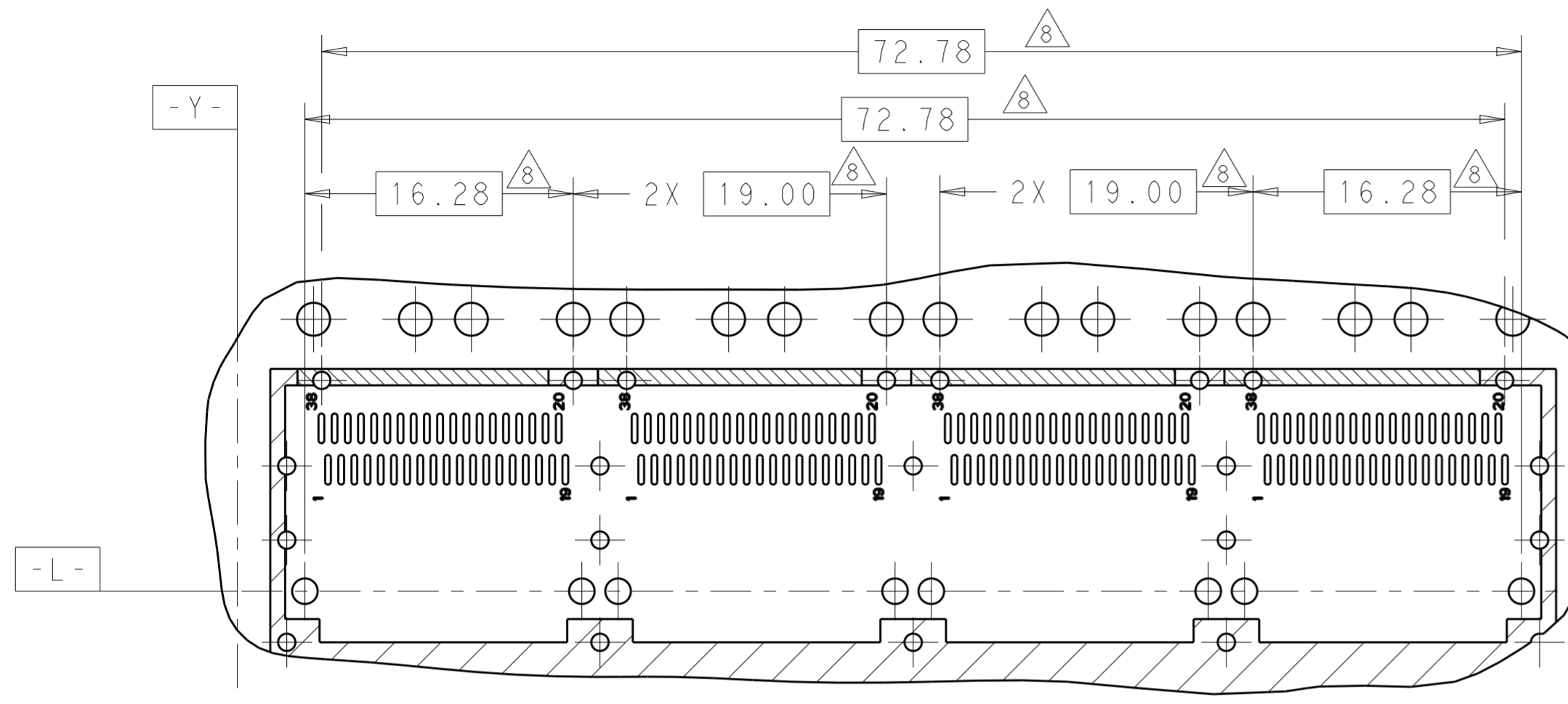


|  |  |                               |   |
|--|--|-------------------------------|---|
| THIS DRAWING IS A CONTROLLED DOCUMENT. |  | DWN 20 JUN 2014<br>JASON YANG | <b>STE</b> TE Connectivity  |
|  |  | CHK 01 NOV 2016<br>SEAN HAN   |   |
| DIMENSIONS:<br>mm                      | TOLERANCES UNLESS OTHERWISE SPECIFIED:<br>0 PLC ±<br>1 PLC ±0.25<br>2 PLC ±0.2<br>3 PLC ±<br>4 PLC ±<br>ANGLES ±<br>FINISH | APVD -                        | NAME<br>RECEPTACLE CAGE ASSEMBLY WITH HEAT SINKS AND LIGHT PIPES, THRU BEZEL, 1X4, QSFP28, GASKET |
| MATERIAL<br>SEE NOTES                  | SEE NOTES  | PRODUCT SPEC<br>108-19428     | SIZE<br>A200779   |
|  |  | APPLICATION SPEC<br>114-32023 | DRAWING NO<br>C-2170785   |
|  |  | WEIGHT<br>-                   | RESTRICTED TO<br>-  |
|  |  | CUSTOMER DRAWING              | SCALE 3:1 SHEET 8 OF 9 REV A  |

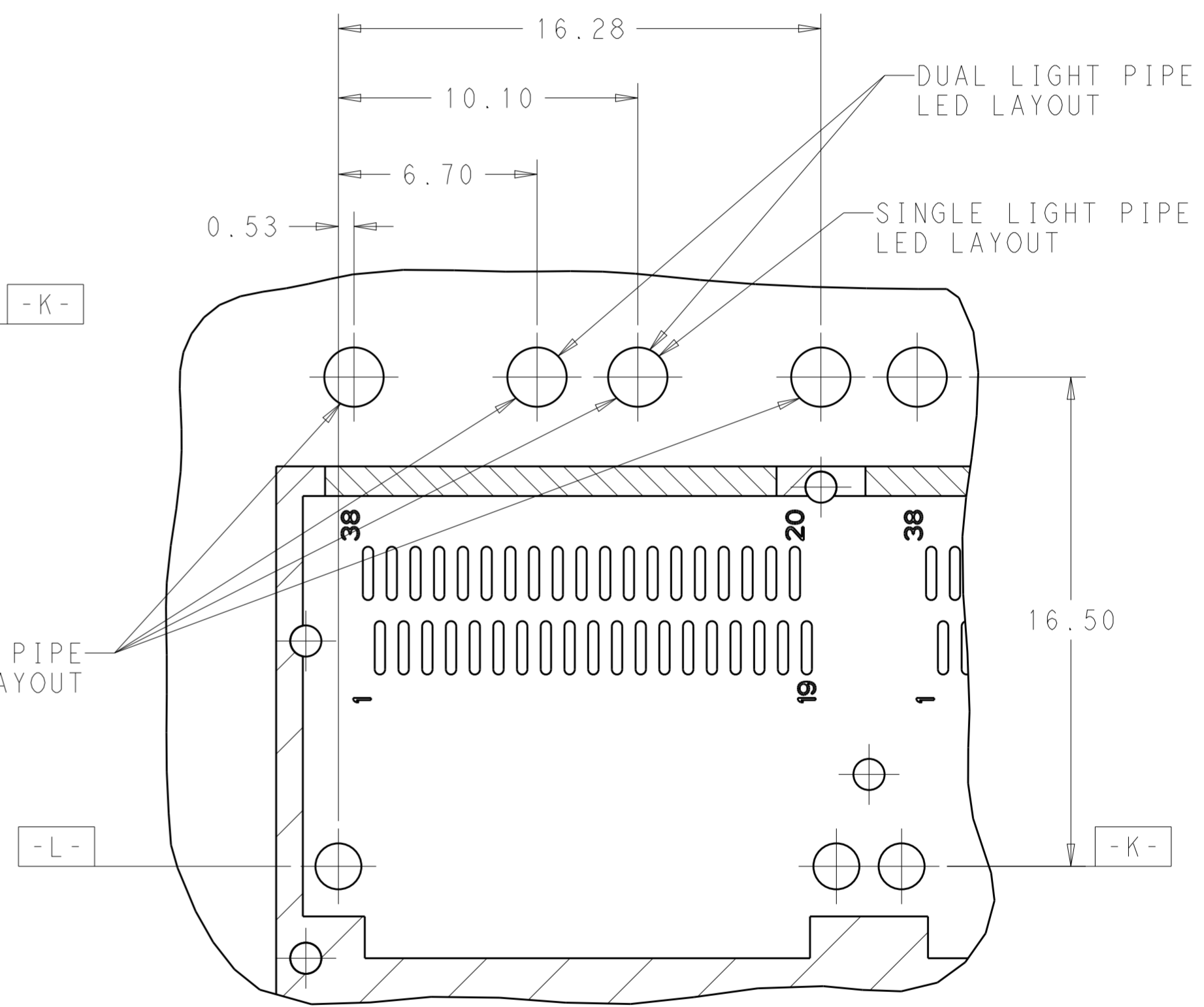


THIS DRAWING IS UNPUBLISHED. RELEASED FOR PUBLICATION 20  
 © COPYRIGHT 20 BY - ALL RIGHTS RESERVED.

| REVISIONS |     |             |      |      |
|-----------|-----|-------------|------|------|
| P         | LTR | DESCRIPTION | DATE | APVD |
| -         |     | SEE SHEET 1 | -    | -    |
|           |     |             |      |      |
|           |     |             |      |      |



DETAIL D  
SCALE 3:1



DETAIL E  
SCALE 6:1

|  |  |                               |   |
|--|--|-------------------------------|---|
| THIS DRAWING IS A CONTROLLED DOCUMENT. |  | DWN 20 JUN 2014<br>JASON YANG | <b>STE</b> TE Connectivity  |
|  |  | CHK 01 NOV 2016<br>SEAN HAN   |   |
| DIMENSIONS:                            | TOLERANCES UNLESS OTHERWISE SPECIFIED:                     | APVD -                        | NAME  |
| mm                                     | 0 PLC ±<br>1 PLC ±0.25<br>2 PLC ±0.2<br>3 PLC ±<br>4 PLC ± | PRODUCT SPEC                  | RECEPTACLE CAGE ASSEMBLY WITH HEAT SINKS AND LIGHT PIPES, THRU BEZEL, 1X4, QSFP28, GASKET |
|  | ANGLES ±   | APPLICATION SPEC              | SIZE CAGE CODE DRAWING NO   |
| MATERIAL                               | FINISH   | 114-32023                     | A200779C-2170785  |
| SEE NOTES                              | SEE NOTES  | WEIGHT -                      | RESTRICTED TO   |
|  |  | CUSTOMER DRAWING              | SCALE 3:1 SHEET 9 OF 9 REV A  |

## X-ON Electronics

Largest Supplier of Electrical and Electronic Components

*Click to view similar products for [I/O Connectors](#) category:*

*Click to view products by [TE Connectivity](#) manufacturer:*

Other Similar products are found below :

[571763P](#) [58098-0628](#) [72.250.1628.2](#) [72.250.2428.2](#) [74720-0505](#) [76.350.0729.0](#) [76871-1403](#) [FCN-244F080-G/1](#) [FCN-260A9920](#) [PCR-E36PM](#) [PCS-XE26MA+](#) [G38A71314B](#) [1571250010](#) [157-22500-3](#) [MS3471L14-19P L/C](#) [172501-4002](#) [172501-6002](#) [FCN-260C008-A/L0](#) [FCN-260C024-AL0](#) [FCN-261Z008](#) [2000314-1](#) [200331-1](#) [PCR-E36FC+](#) [PCS-E28FS+](#) [PCS-XE26SLFD+](#) [PCS-XE26SLFDT+](#) [G730VID08BDC24](#) [U90B2054081210](#) [38113800006](#) [DP3AR020WQ1R200](#) [Z4.102.0680.0](#) [500-1040](#) [500-1052](#) [500-1054](#) [ZP-4008-66L](#) [0709821002](#) [DX40-20P\(55\)](#) [5554841-1](#) [MS3474W18-8P-LC\\*](#) [U90B3054061110](#) [U65-E04-4020](#) [ZPF000000000097891](#) [747360449](#) [10099439-003C-TRLF](#) [10137239-0021LF](#) [E9320-001-01](#) [10137239-0011LF](#) [70289-001LF](#) [70.060.1028.0](#) [109029-ZZ](#)