

4

3

2

1

THIS DRAWING IS UNPUBLISHED. RELEASED FOR PUBLICATION 20
 © COPYRIGHT 20 BY - ALL RIGHTS RESERVED.

REVISIONS				
P	LTR	DESCRIPTION	DATE	APVD
A		RELEASE	31OCT2016	JY SH
B		ADD NEW PN 4-2170808-7	21MAY2019	JY SH

HEAT SINK CLIP
HEAT SINK
LIGHT PIPE
1x2 CAGE ASSEMBLY

2-2170808-1 AS SHOWN
SCALE 2:1

- COMPONENTS
 CAGE ASSEMBLY: NICKEL-SILVER ALLOY
 HEAT SINK: ALUMINUM/BLACK ANODIZE
 HEAT SINK CLIP: STAINLESS STEEL
 EMI SPRING: COPPER ALLOY/NICKEL PLATE
 LIGHT PIPE: CLEAR POLYCARBONATE
- REFERENCE APPLICATION SPECIFICATION 114-32023 FOR RECOMMENDED DRILL HOLE DIAMETER AND PLATING THICKNESS
- DATUM AND BASIC DIMENSION ESTABLISHED BY CUSTOMER
- DIMENSION APPLIES WITH MODULE INSERTED IN CAGE
- HEAT SINKS, HEAT SINK CLIPS AND LIGHT PIPES ARE SHIPPED ASSEMBLED ON CAGE
- MINIMUM PC BOARD THICKNESS: SINGLE SIDED: 1.57 MIN
DOUBLE SIDED: 2.20 MIN
- DATUM **-A-** IS TOP SURFACE OF THE HOST BOARD.
- THESE HOLES ARE OPTIONAL WHEN THE REAR PINS ARE REMOVED.
- MATES WITH QSFP28 MSA COMPATIBLE TRANSCEIVER.
- DATE CODE (YYWWD) MARKED APPROXIMATELY AS SHOWN.
- NOTED DIMENSIONS ONLY APPLY TO CAGE ASSEMBLY WITH LIGHT PIPE.
- PRELIMINARY PART - NOT RELEASED FOR PRODUCTION.

38.50 REF
2X 18.75±0.10
2X 8.90±0.10
7.88 18.50
REAR PIN OPTIONAL

SCALE 2:1

67.75 REF
B REF
12.79 REF 11.60 REF 9.65 REF
13.40 4.50
1.01 A MAX 15.11 REF
2.05 TYP
OF GUIDE POST
SECTION A-A
D-D

3.0 MAX

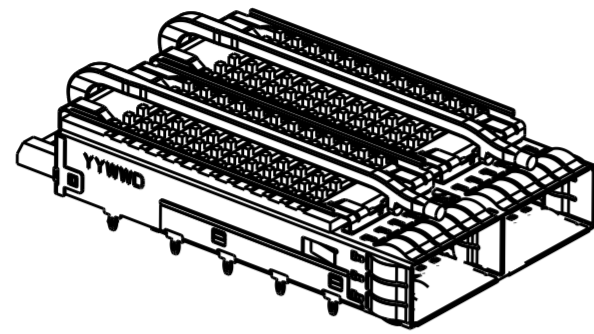
DETAIL E
SCALE 4:1

THIS DRAWING IS A CONTROLLED DOCUMENT.		DWN BING LIU 16SEP2014	STE TE Connectivity	
		CHK JASON YANG 16SEP2014		
DIMENSIONS: mm	TOLERANCES UNLESS OTHERWISE SPECIFIED:	APVD -	NAME RECEPTACLE CAGE ASSEMBLY 1X2, QSFP28, THRU BEZEL, SPRING WITH HEAT SINKS AND LIGHT PIPES	RESTRICTED TO
	0 PLC ± 1 PLC ±0.25 2 PLC ±0.2 3 PLC ± 4 PLC ±	PRODUCT SPEC 108-19428	SIZE A200779	CAGE CODE C-2170808
MATERIAL SEE NOTES	ANGLES ± FINISH ±	APPLICATION SPEC 114-32023	DRAWING NO	
		WEIGHT -	SCALE 1:1	SHEET 1 OF 9
		CUSTOMER DRAWING	REV B	

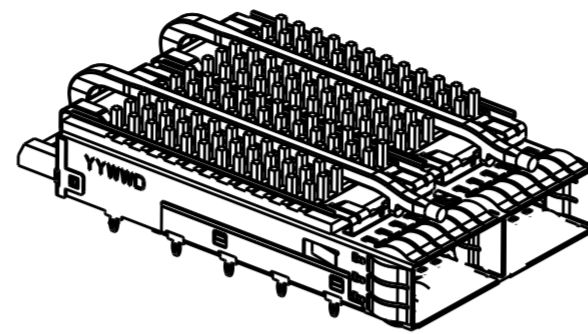
1471-9 (3/13)

REVISIONS				
P	LTR	DESCRIPTION	DATE	APVD
-		SEE SHEET 1	-	-

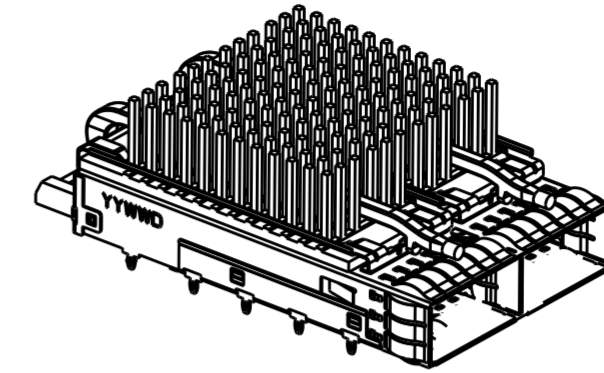
HEAT SINK OPTION



PCI HEAT SINK HEIGHT
SCALE 1:1

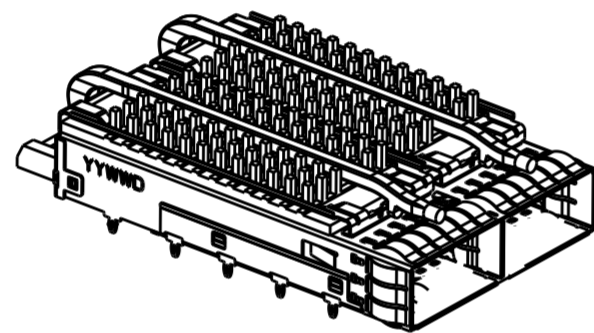


SAN HEAT SINK HEIGHT
SCALE 1:1

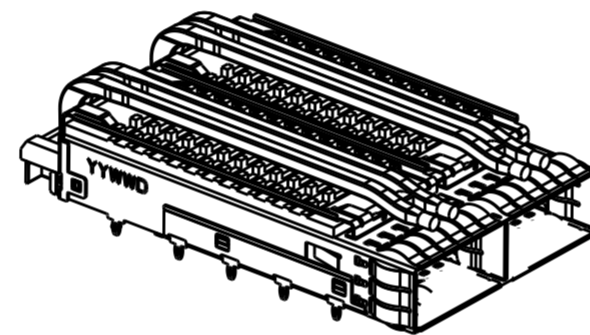


NETWORKING HEAT SINK HEIGHT
SCALE 1:1

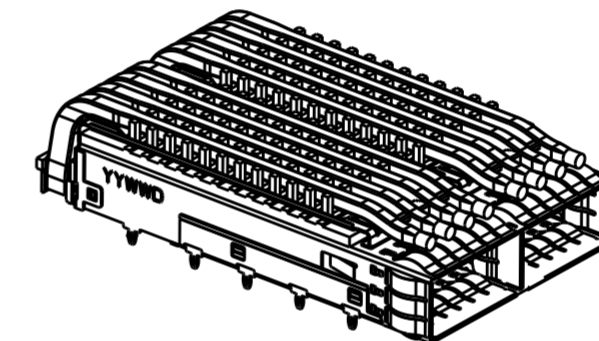
LIGHT PIPE OPTION



SINGLE LIGHT PIPE
SCALE 1:1

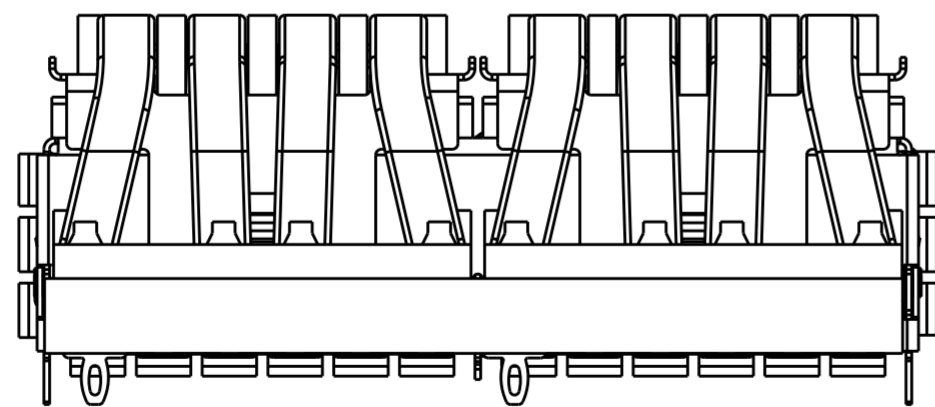


DUAL LIGHT PIPE
SCALE 1:1

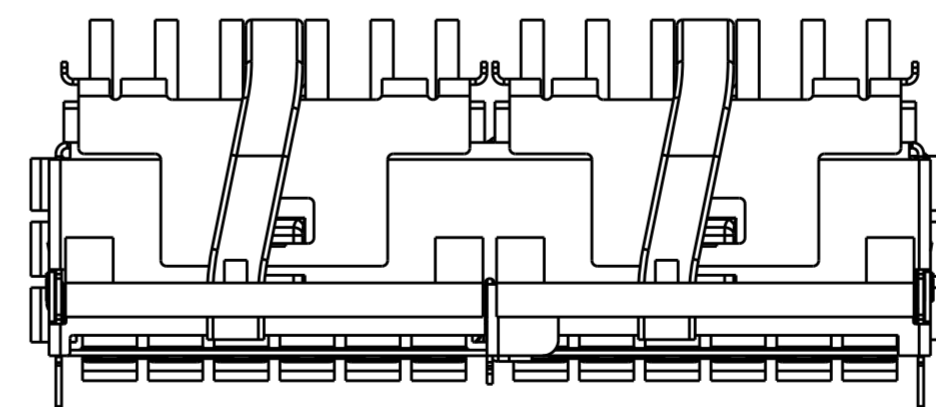


QUAD LIGHT PIPE
SCALE 1:1

OF REAR PIN OPTION



1 REAR PIN
SCALE 3:1



0 REAR PIN
SCALE 3:1


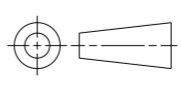
THIS DRAWING IS A CONTROLLED DOCUMENT.		DWN BING LIU 16SEP2014	TE Connectivity	
		CHK JASON YANG 16SEP2014		
DIMENSIONS: mm	TOLERANCES UNLESS OTHERWISE SPECIFIED:	APVD -	NAME RECEPTACLE CAGE ASSEMBLY 1X2, QSFP28, THRU BEZEL, SPRING WITH HEAT SINKS AND LIGHT PIPES	RESTRICTED TO
	0 PLC ± 1 PLC ±0.25 2 PLC ±0.2 3 PLC ± 4 PLC ± ANGLES ± FINISH	PRODUCT SPEC 108-19428	SIZE 114-32023	SIZE A200779
MATERIAL SEE NOTES	SEE NOTES	APPLICATION SPEC 114-32023	DRAWING NO C-2170808	SCALE 1:1
		WEIGHT -	CUSTOMER DRAWING	SHEET 2 OF 9 REV B

THIS DRAWING IS UNPUBLISHED. RELEASED FOR PUBLICATION 20
 © COPYRIGHT 20 BY - ALL RIGHTS RESERVED.

REVISIONS					
P	LTR	DESCRIPTION	DATE	DWN	APVD
-		SEE SHEET 1	-	-	-

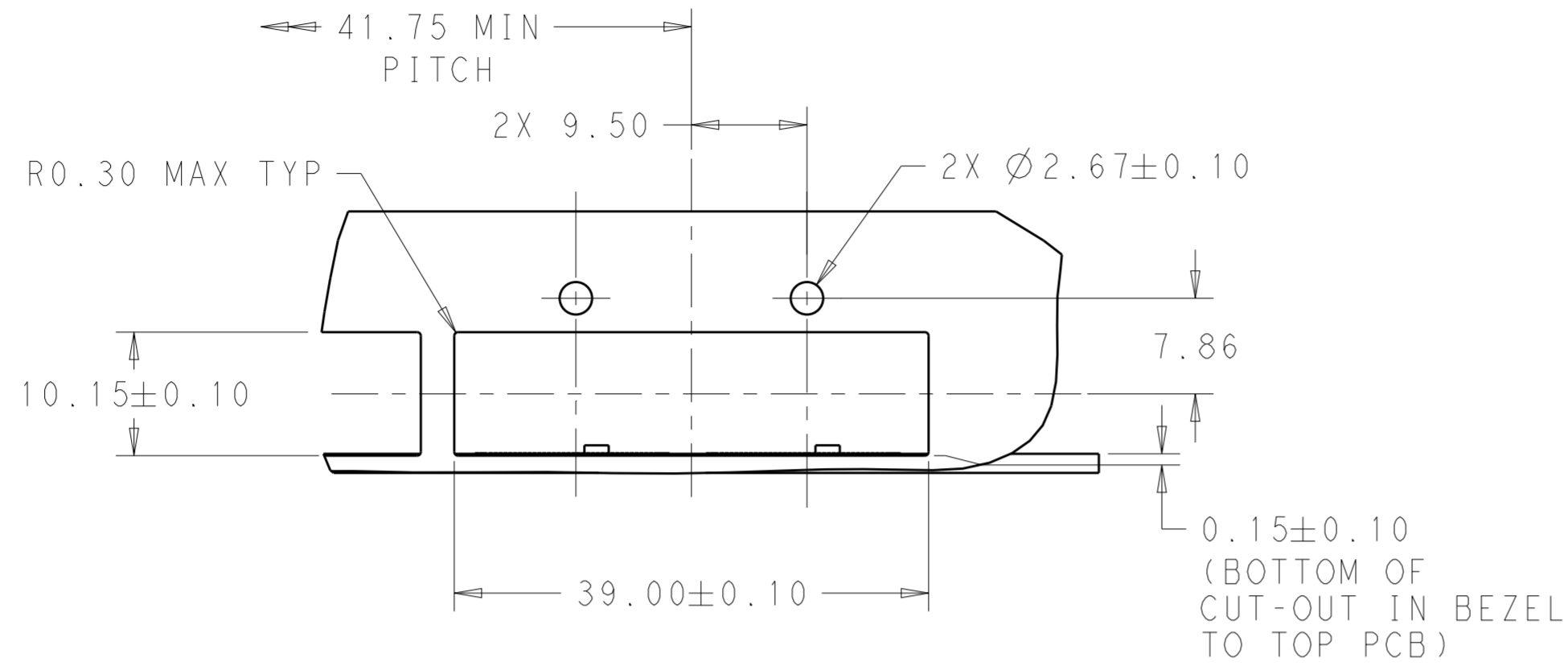
0	3.4	16.0	SAN	COATED QUAD LP	5-2170808-5
1	2.9	18.4	CUSTOMIZED	QUAD LP	4-2170808-7
0	2.9	23.0	NETWORKING	QUAD LP	4-2170808-6
0	2.9	16.0	SAN	QUAD LP	4-2170808-5
0	2.9	13.7	PCI	QUAD LP	4-2170808-4
1	2.9	23.0	NETWORKING	QUAD LP	4-2170808-3
1	2.9	16.0	SAN	QUAD LP	4-2170808-2
1	2.9	13.7	PCI	QUAD LP	4-2170808-1
1	4.5	13.7	PCI	SHORTER, QUAD LP	4-2170808-0
0	2.9	23.0	NETWORKING	DUAL LP	2-2170808-6
0	2.9	16.0	SAN	DUAL LP	2-2170808-5
0	2.9	13.7	PCI	DUAL LP	2-2170808-4
1	2.9	23.0	NETWORKING	DUAL LP	2-2170808-3
1	2.9	16.0	SAN	DUAL LP	2-2170808-2
1	2.9	13.7	PCI	DUAL LP	2-2170808-1
0	2.9	23.0	NETWORKING	SINGLE LP	2170808-6
0	2.9	16.0	SAN	SINGLE LP	2170808-5
0	2.9	13.7	PCI	SINGLE LP	2170808-4
1	2.9	23.0	NETWORKING	SINGLE LP	2170808-3
1	2.9	16.0	SAN	SINGLE LP	2170808-2
1	2.9	13.7	PCI	SINGLE LP	2170808-1
# OF REAR PIN	DIM B (LP EXTRUDE)	DIM A (PRODUCT HEIGHT)	APPLICATION	LIGHT PIPE OPTION	PART NUMBER



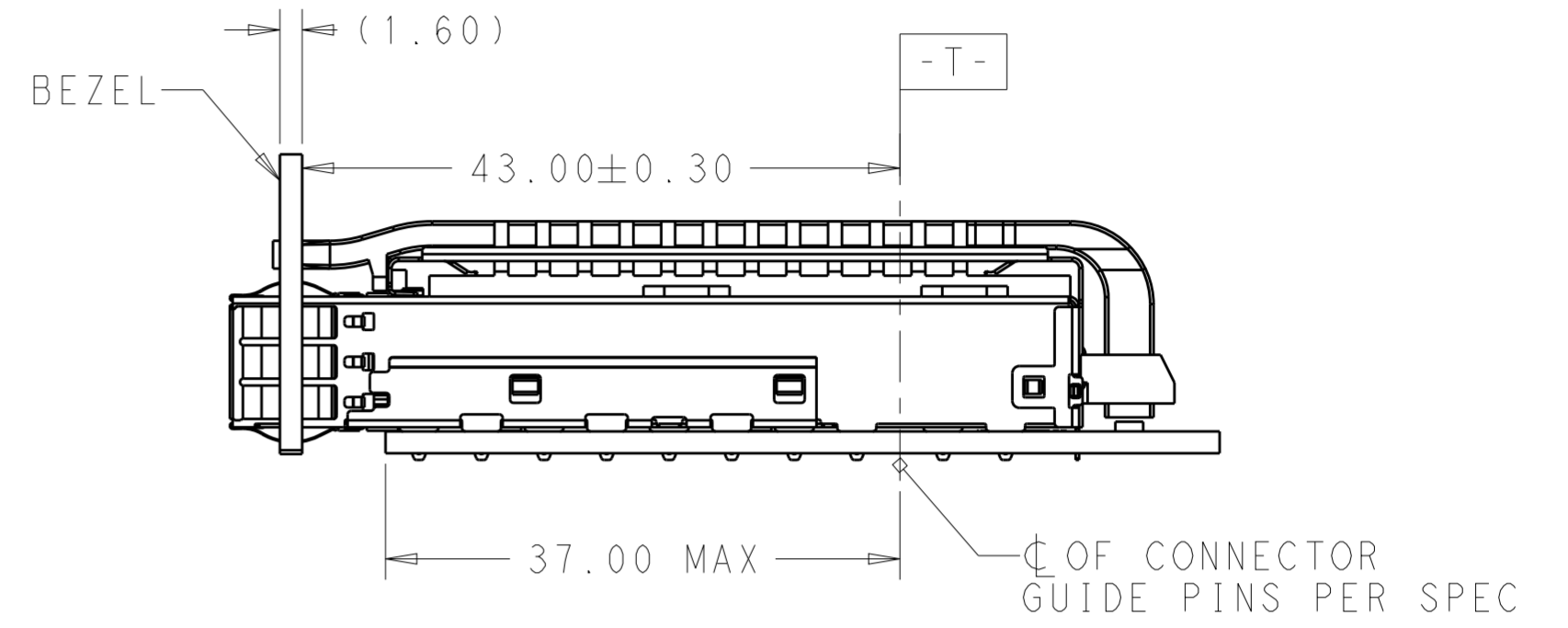
THIS DRAWING IS A CONTROLLED DOCUMENT.		DWN BING LIU 16SEP2014	 TE Connectivity	
		CHK JASON YANG 16SEP2014		
DIMENSIONS: mm 		TOLERANCES UNLESS OTHERWISE SPECIFIED: 0 PLC ± 1 PLC ±0.25 2 PLC ±0.2 3 PLC ± 4 PLC ± ANGLES ± FINISH		NAME RECEPTACLE CAGE ASSEMBLY 1X2, QSFP28, THRU BEZEL, SPRING WITH HEAT SINKS AND LIGHT PIPES
MATERIAL SEE NOTES		APVD - PRODUCT SPEC 108-19428 APPLICATION SPEC 114-32023 WEIGHT -	SIZE A200779 CAGE CODE C-2170808 DRAWING NO RESTRICTED TO -	SCALE 1:1 SHEET 3 OF 9 REV B
		CUSTOMER DRAWING		

THIS DRAWING IS UNPUBLISHED. RELEASED FOR PUBLICATION 20
 © COPYRIGHT 20 BY - ALL RIGHTS RESERVED.

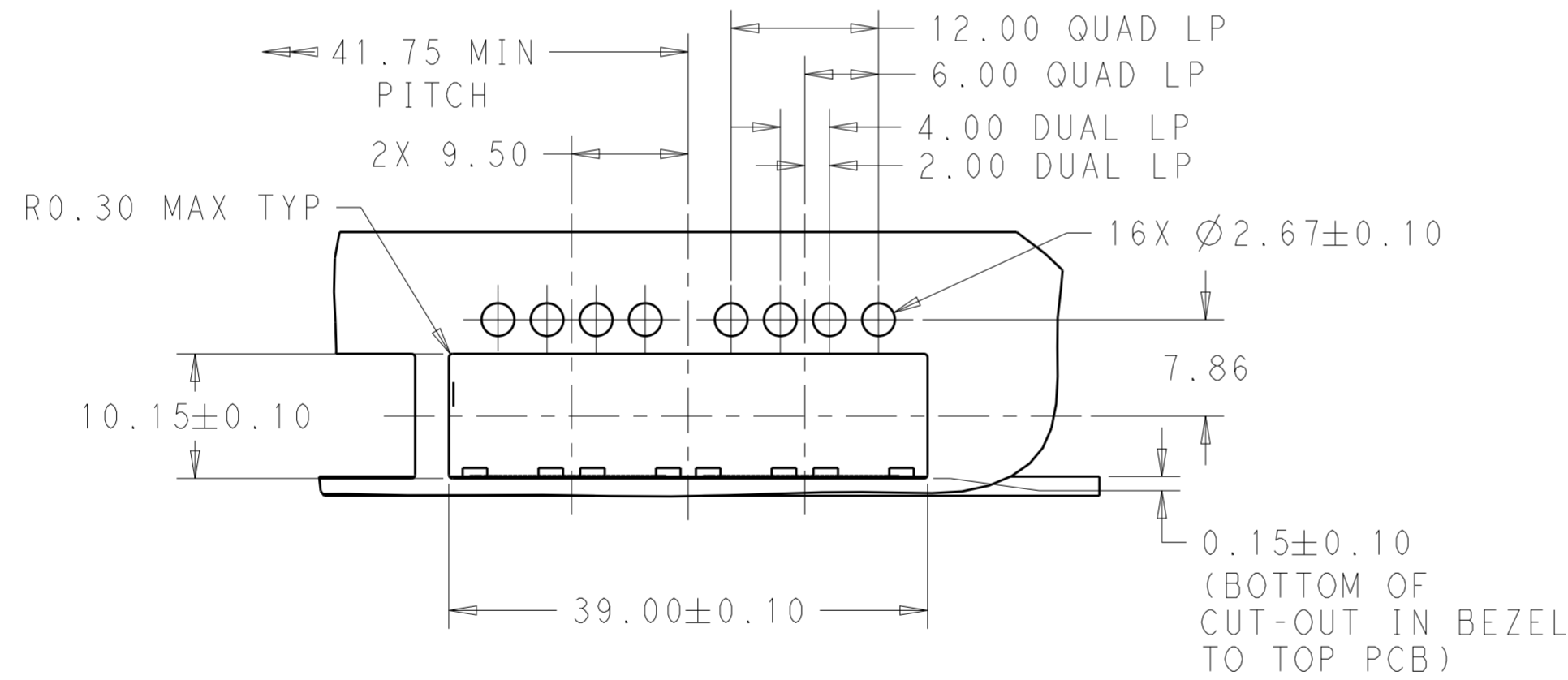
REVISIONS				
P	LTR	DESCRIPTION	DATE	APVD
-	-	SEE SHEET 1	-	-



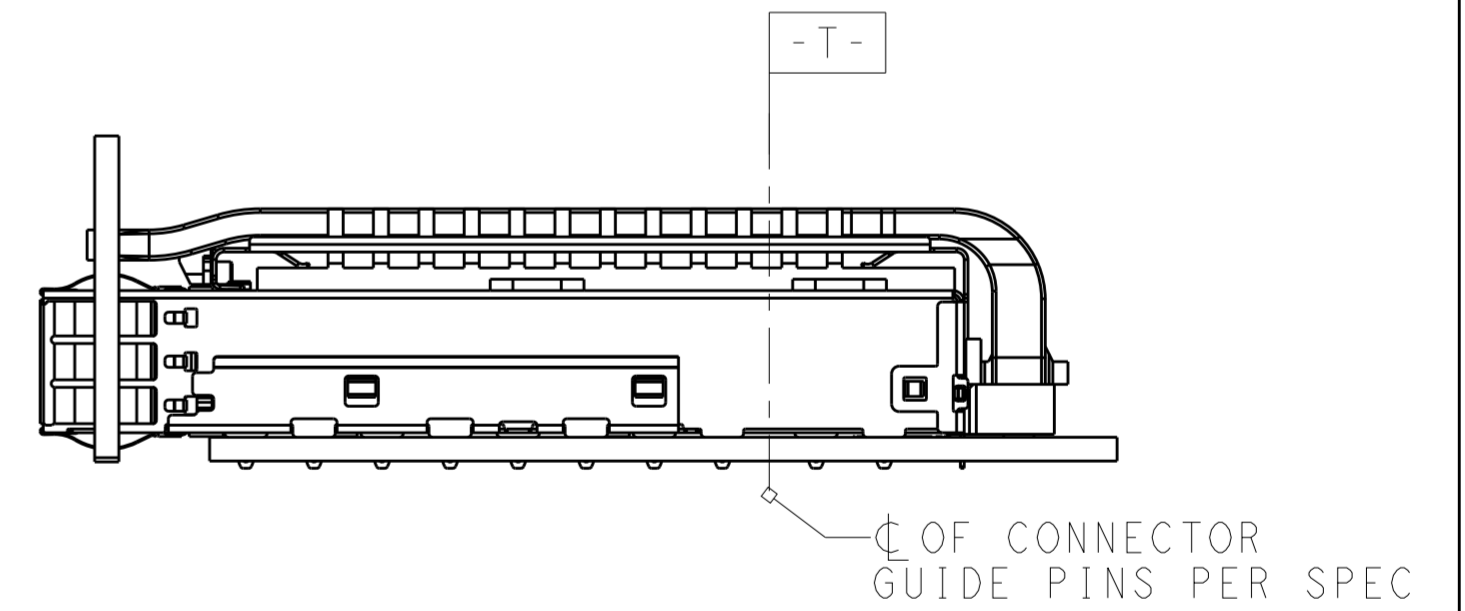
CAGE ASSEMBLY IS OMITED



SINGLE SIDE MOUNTING
SCALE 2:1



CAGE ASSEMBLY IS OMITED

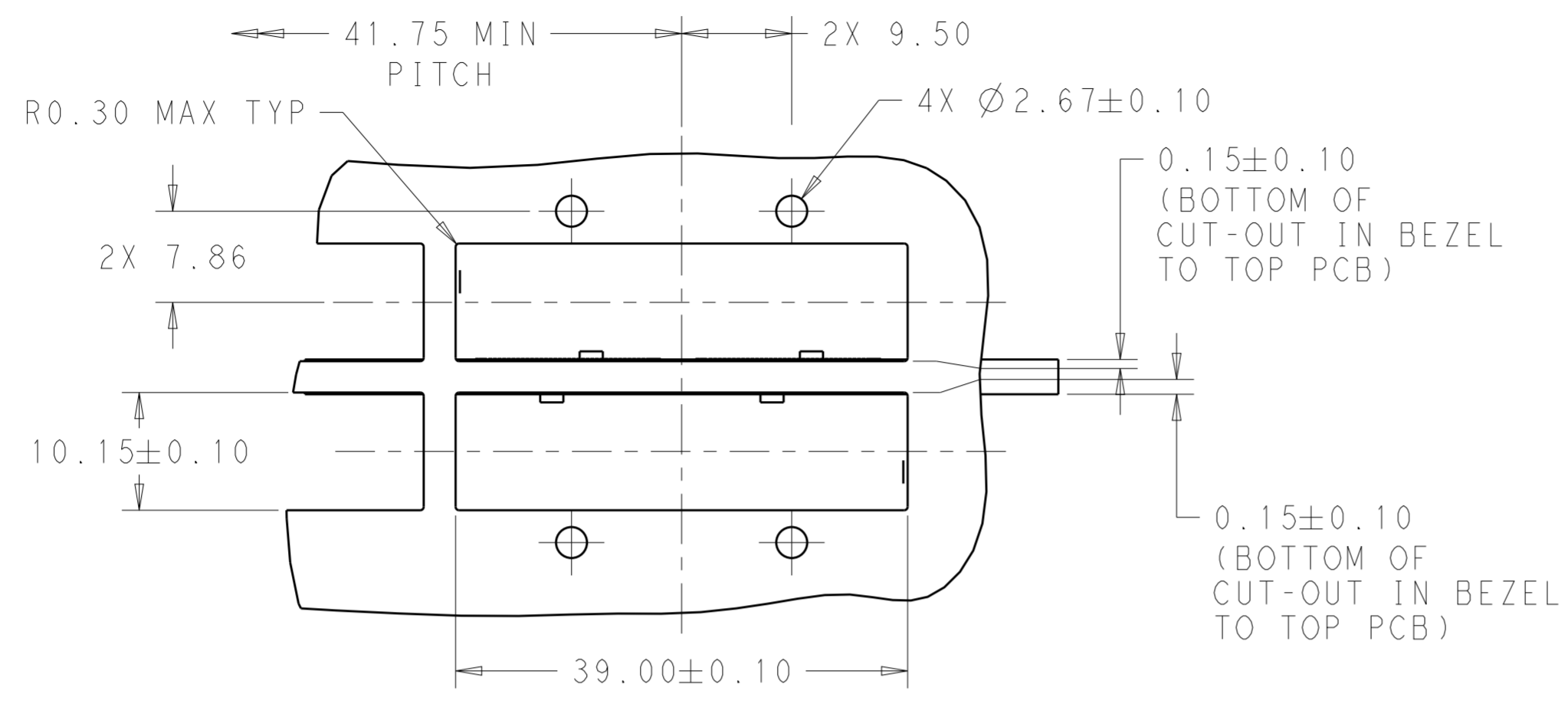


SINGLE SIDE MOUNTING
SCALE 2:1

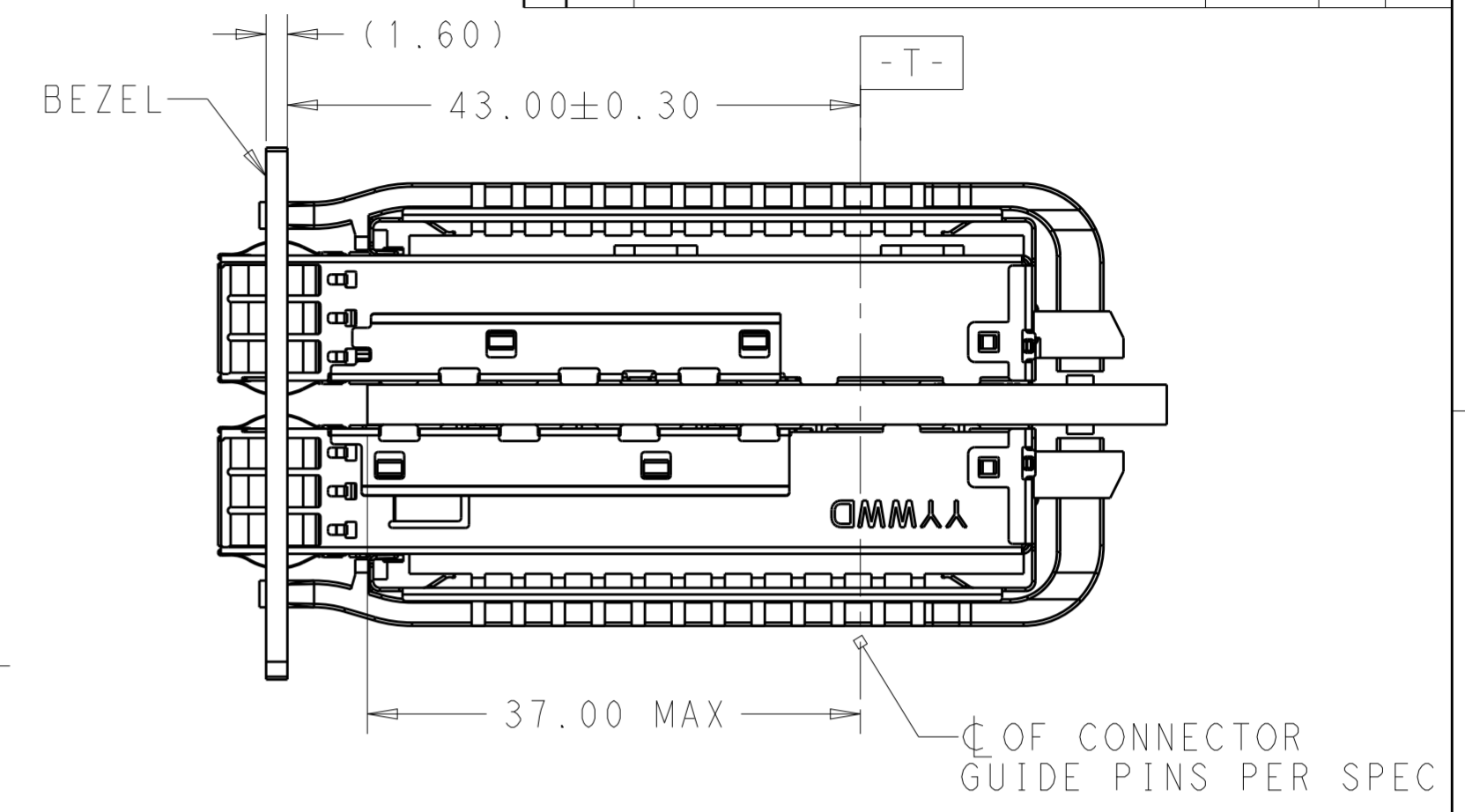
THIS DRAWING IS A CONTROLLED DOCUMENT.		DWN BING LIU 16SEP2014	TE Connectivity	
		CHK JASON YANG 16SEP2014		
DIMENSIONS: mm		TOLERANCES UNLESS OTHERWISE SPECIFIED:		NAME RECEPTACLE CAGE ASSEMBLY 1X2, QSFP28, THRU BEZEL, SPRING WITH HEAT SINKS AND LIGHT PIPES
		0 PLC ±	1 PLC ±0.25	PRODUCT SPEC 108-19428
MATERIAL SEE NOTES		2 PLC ±0.2	3 PLC ±	APPLICATION SPEC 114-32023
		4 PLC ±	ANGLES ±	SIZE A200779
		FINISH	FINISH	CAGE CODE C-2170808
				DRAWING NO C-2170808
				RESTRICTED TO
				SCALE 1:1 SHEET 4 OF 9 REV B
				CUSTOMER DRAWING

THIS DRAWING IS UNPUBLISHED. RELEASED FOR PUBLICATION 20
 © COPYRIGHT 20 BY - ALL RIGHTS RESERVED.

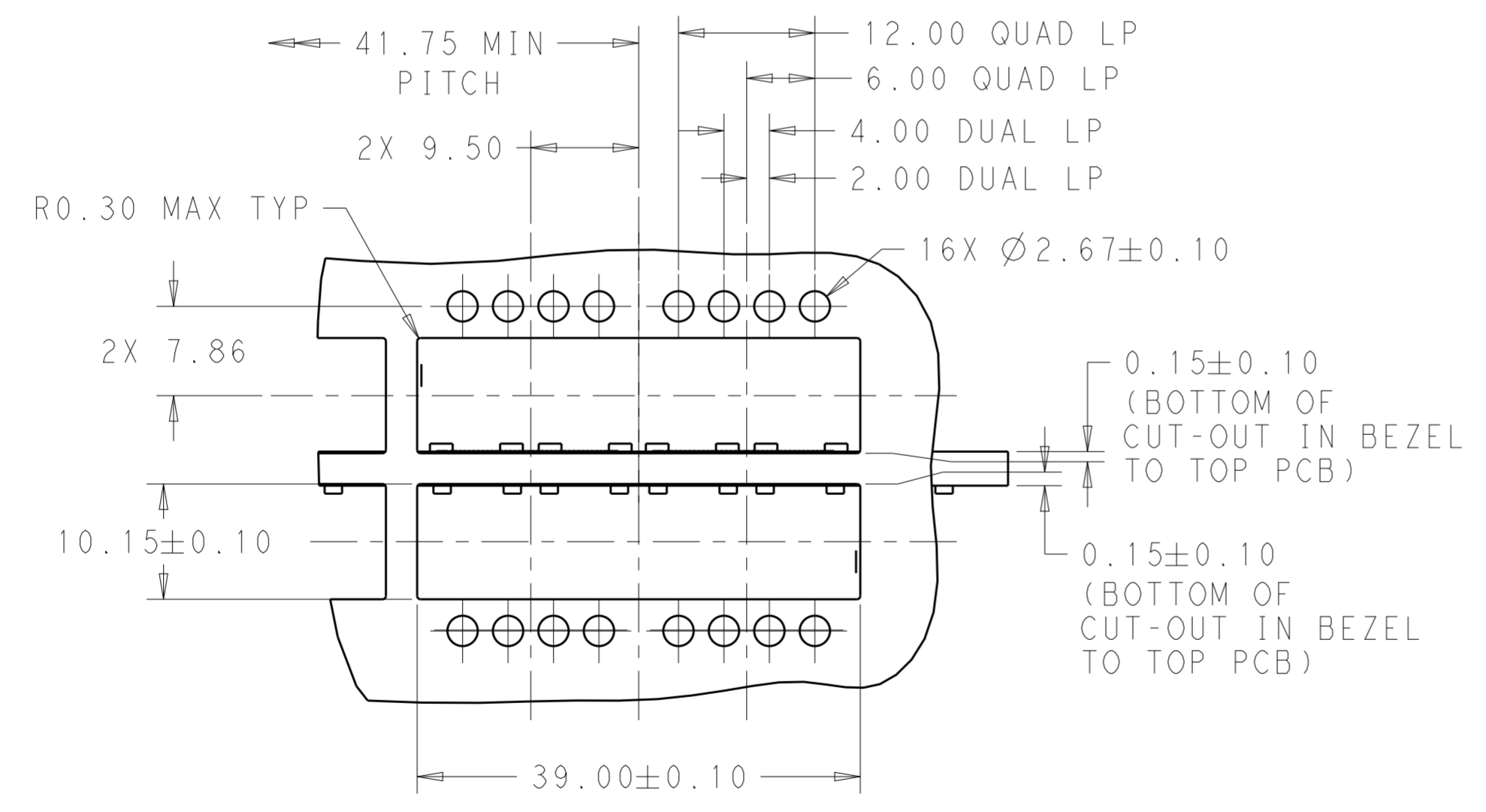
REVISIONS				
P	LTR	DESCRIPTION	DATE	APVD
-	-	SEE SHEET 1	-	-



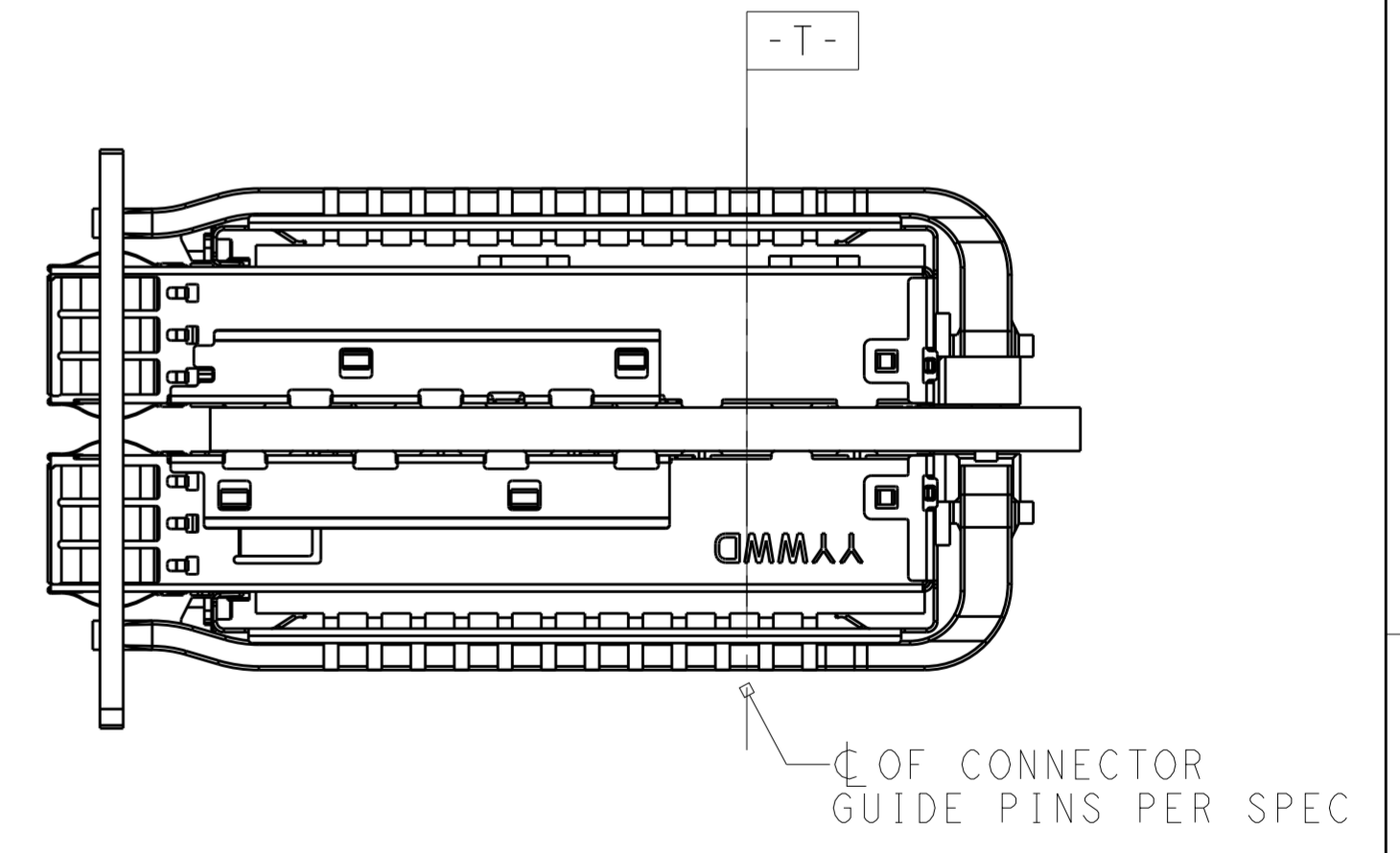
CAGE ASSEMBLY IS OMITED



BELLY TO BELLY MOUNTING
SCALE 2:1



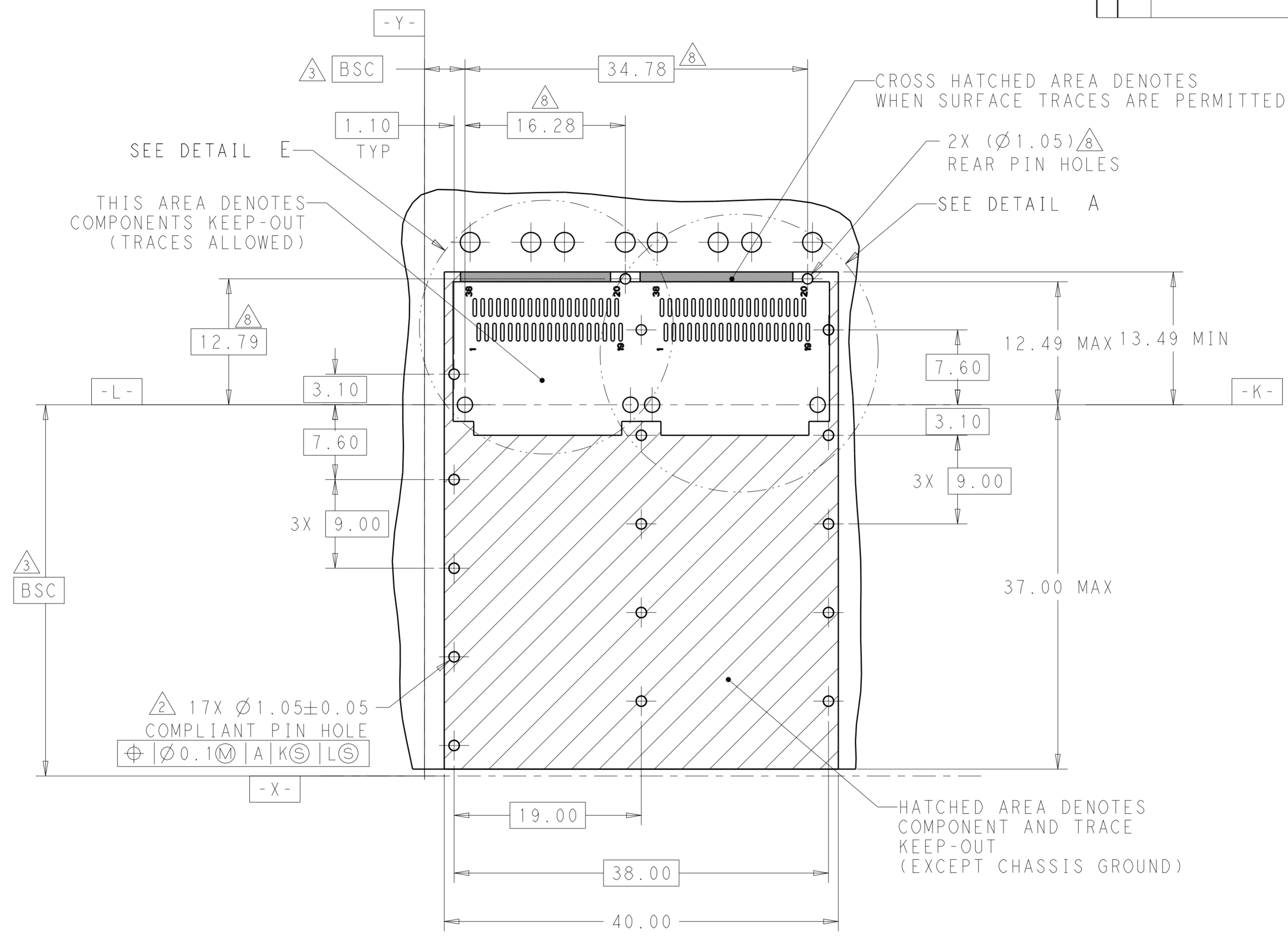
CAGE ASSEMBLY IS OMITED



BELLY TO BELLY MOUNTING
SCALE 2:1

THIS DRAWING IS A CONTROLLED DOCUMENT.		DWN BING LIU 16SEP2014	TE Connectivity	
		CHK JASON YANG 16SEP2014		
DIMENSIONS: mm		APVD -	NAME RECEPTACLE CAGE ASSEMBLY	
TOLERANCES UNLESS OTHERWISE SPECIFIED:		PRODUCT SPEC 108-19428	1X2, QSFP28, THRU BEZEL, SPRING WITH HEAT SINKS AND LIGHT PIPES	
0 PLC ±		APPLICATION SPEC 114-32023	SIZE A200779	DRAWING NO C-2170808
1 PLC ±0.25		WEIGHT -	RESTRICTED TO -	
2 PLC ±0.2		CUSTOMER DRAWING	SCALE 1:1	SHEET 5 OF 9
3 PLC ±				REV B
4 PLC ±				
ANGLES ±				
FINISH				
MATERIAL SEE NOTES				
SEE NOTES				

REVISIONS				
P	LTR	DESCRIPTION	DATE	APVD
-	-	SEE SHEET 1	-	-

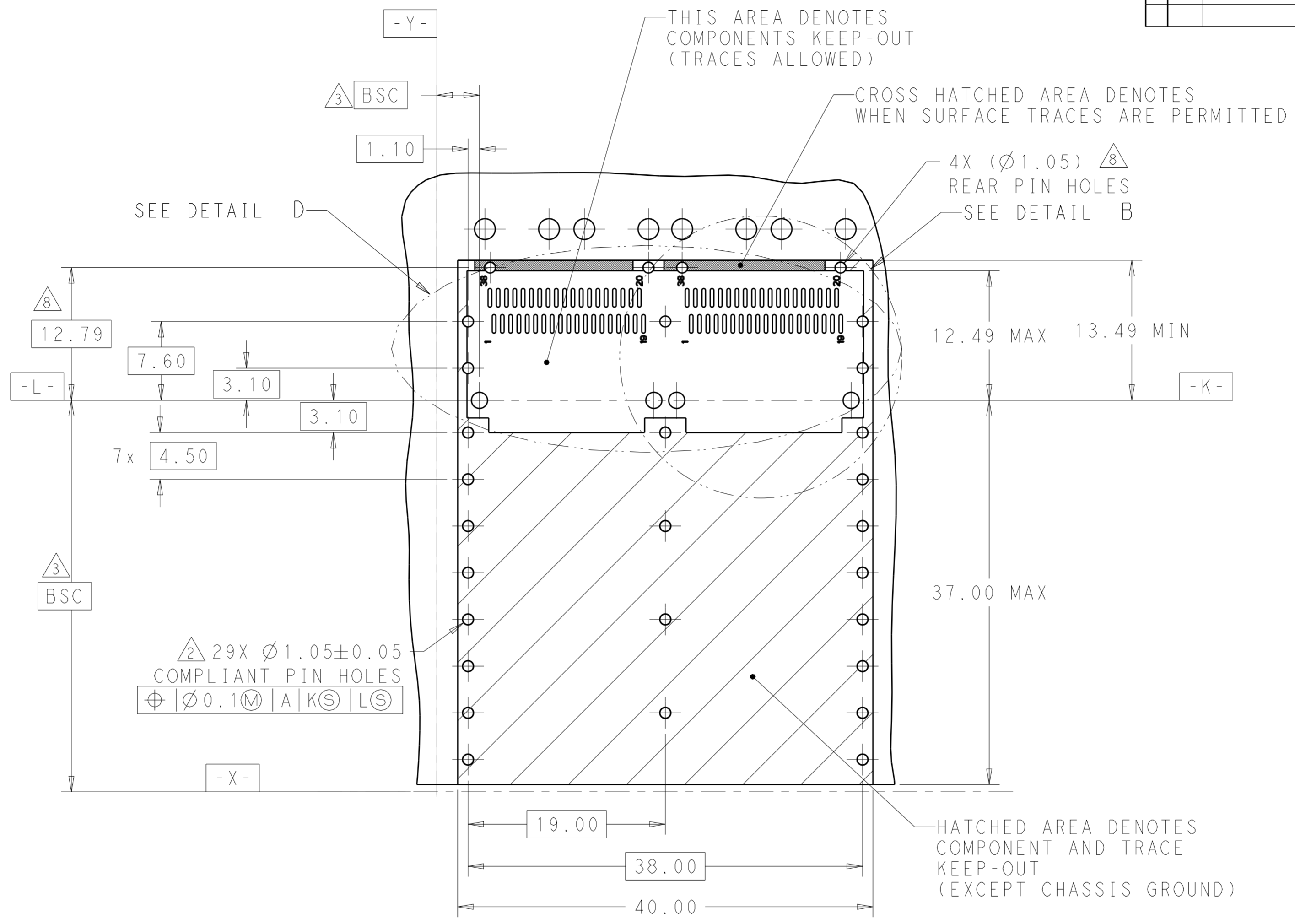


RECOMMENDED PCB LAYOUT
 SINGLE TYPE
 PCB TOLERANCE: ±0.05
 SCALE 3:1

THIS DRAWING IS A CONTROLLED DOCUMENT.		DWN BING LIU 16SEP2014	TE Connectivity	
		CHK JASON YANG 16SEP2014		
DIMENSIONS: mm		APVD -		NAME RECEPTACLE CAGE ASSEMBLY 1X2, QSFP28, THRU BEZEL, SPRING WITH HEAT SINKS AND LIGHT PIPES
TOLERANCES UNLESS OTHERWISE SPECIFIED: 0 PLC ± 1 PLC ±0.25 2 PLC ±0.2 3 PLC ± 4 PLC ± ANGLES ± FINISH		PRODUCT SPEC 108-19428		SIZE A200779
MATERIAL SEE NOTES		APPLICATION SPEC 114-32023		DRAWING NO C-2170808
		WEIGHT -		RESTRICTED TO -
		CUSTOMER DRAWING		SCALE 1:1 SHEET 6 OF 9 REV B

THIS DRAWING IS UNPUBLISHED. RELEASED FOR PUBLICATION 20
 © COPYRIGHT 20 BY - ALL RIGHTS RESERVED.

REVISIONS				
P	LTR	DESCRIPTION	DATE	APVD
-	-	SEE SHEET 1	-	-

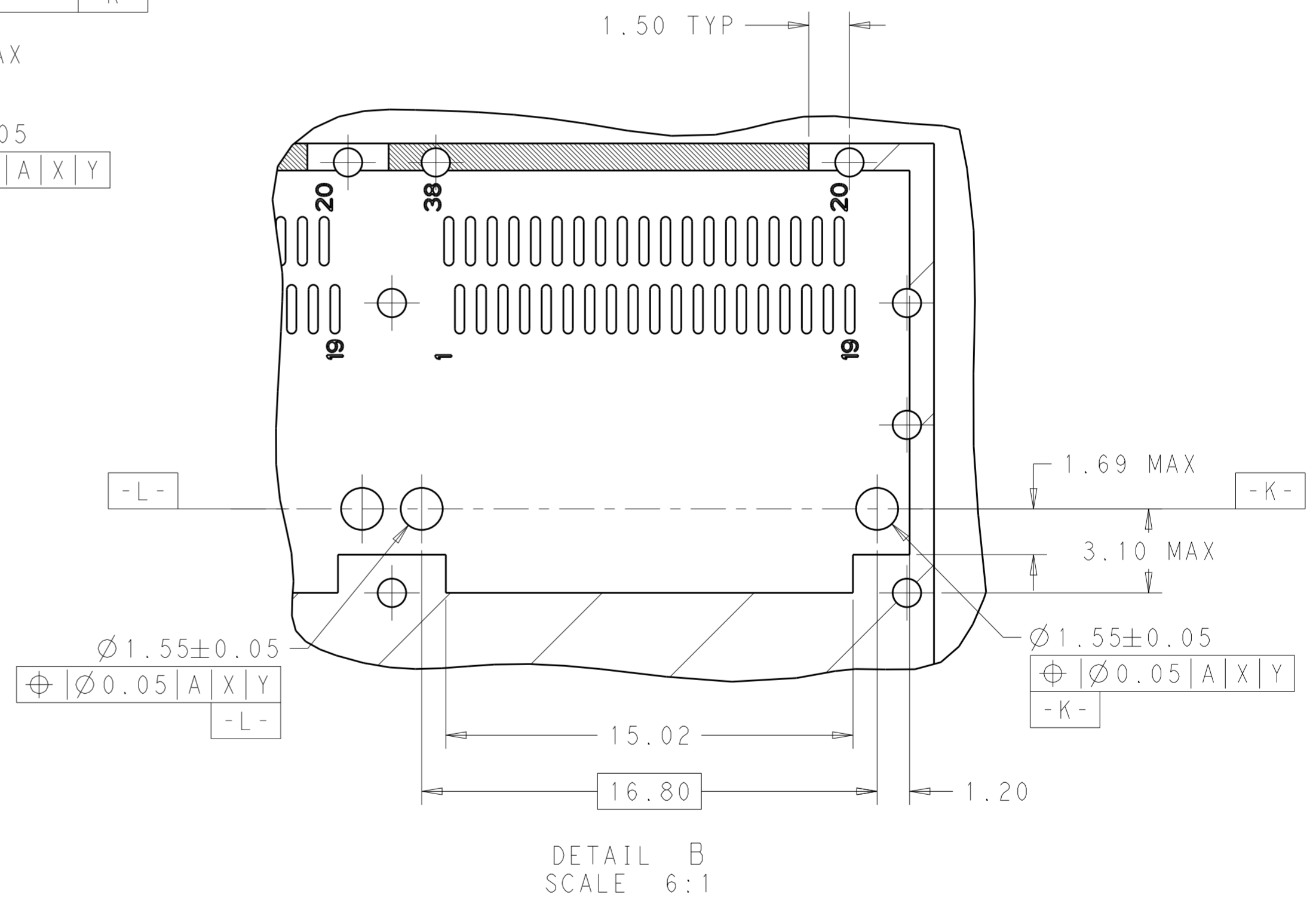
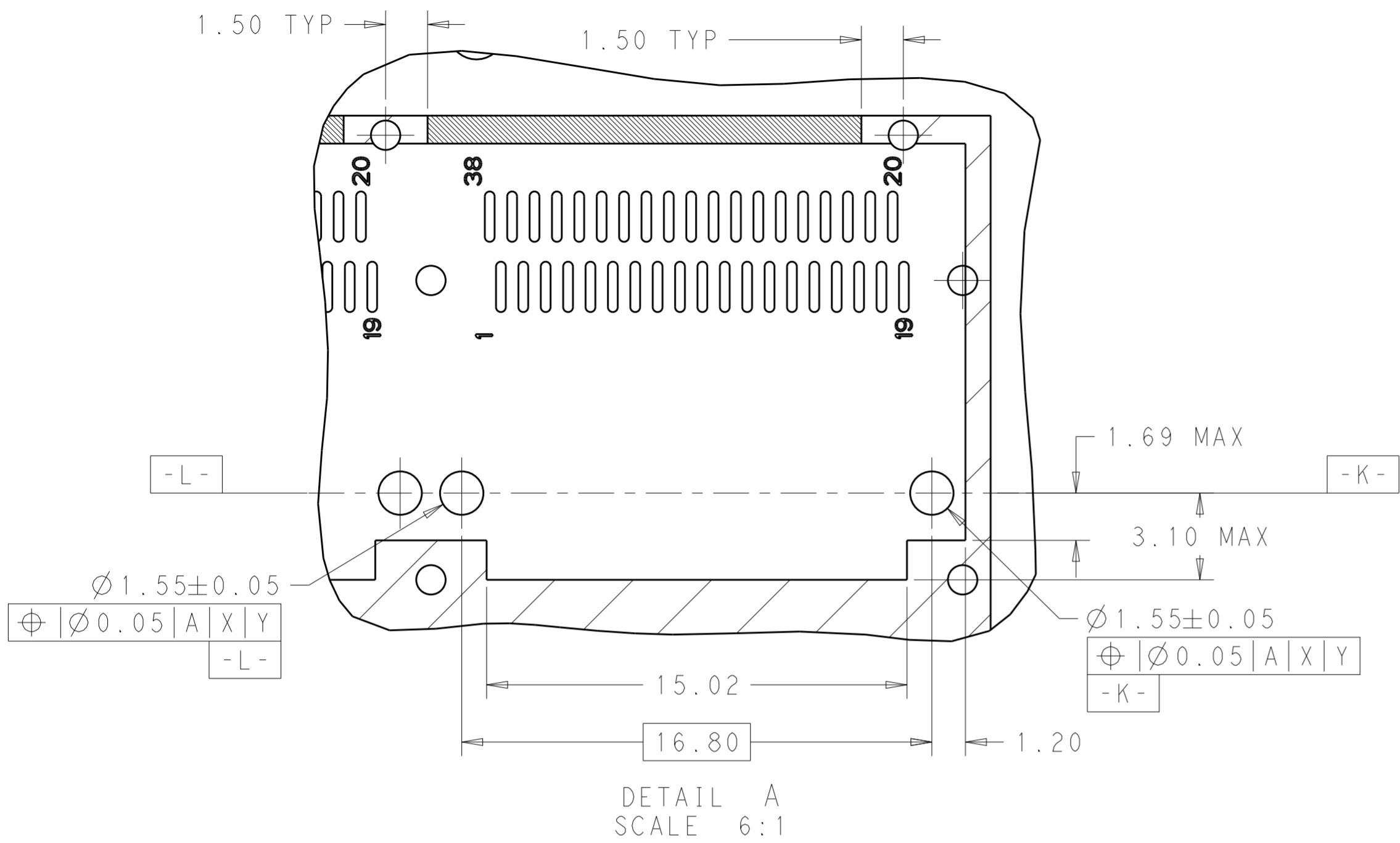


RECOMMENDED PCB LAYOUT
 BELLY TO BELLY TYPE
 PCB TOLERANCE: ±0.05
 SCALE 3:1

THIS DRAWING IS A CONTROLLED DOCUMENT.		DWN BING LIU 16SEP2014	TE Connectivity	
		CHK JASON YANG 16SEP2014		
DIMENSIONS: mm		APVD -		NAME RECEPTACLE CAGE ASSEMBLY 1X2, QSFP28, THRU BEZEL, SPRING WITH HEAT SINKS AND LIGHT PIPES
TOLERANCES UNLESS OTHERWISE SPECIFIED: 0 PLC ± 1 PLC ±0.25 2 PLC ±0.2 3 PLC ± 4 PLC ± ANGLES ± FINISH		PRODUCT SPEC 108-19428		SIZE A200779
MATERIAL SEE NOTES		APPLICATION SPEC 114-32023		DRAWING NO C-2170808
		WEIGHT -		RESTRICTED TO -
		CUSTOMER DRAWING		SCALE 1:1 SHEET 7 OF 9 REV B

THIS DRAWING IS UNPUBLISHED. RELEASED FOR PUBLICATION 20
 © COPYRIGHT 20 BY - ALL RIGHTS RESERVED.

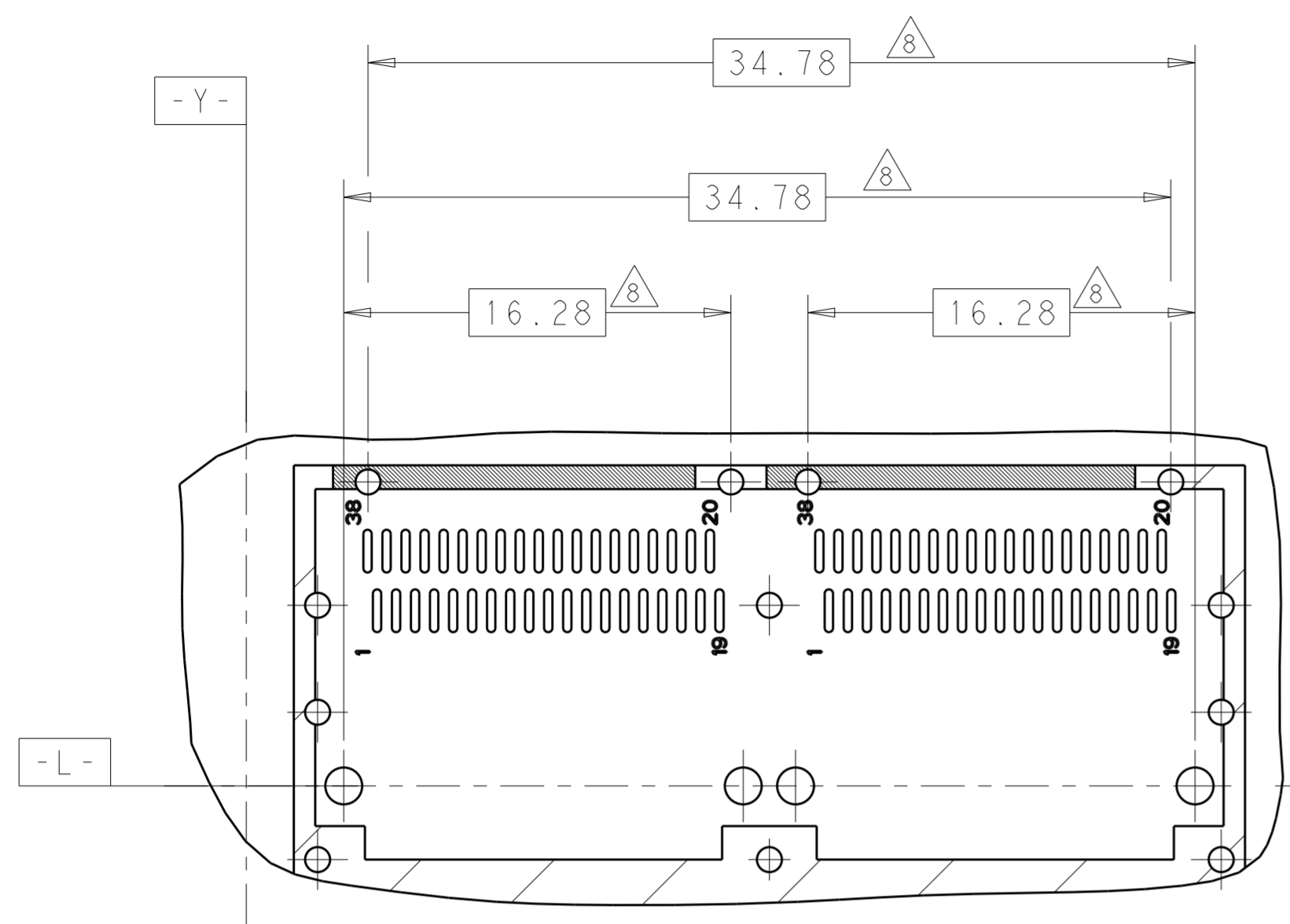
REVISIONS				
P	LTR	DESCRIPTION	DATE	APVD
-	-	SEE SHEET 1	-	-



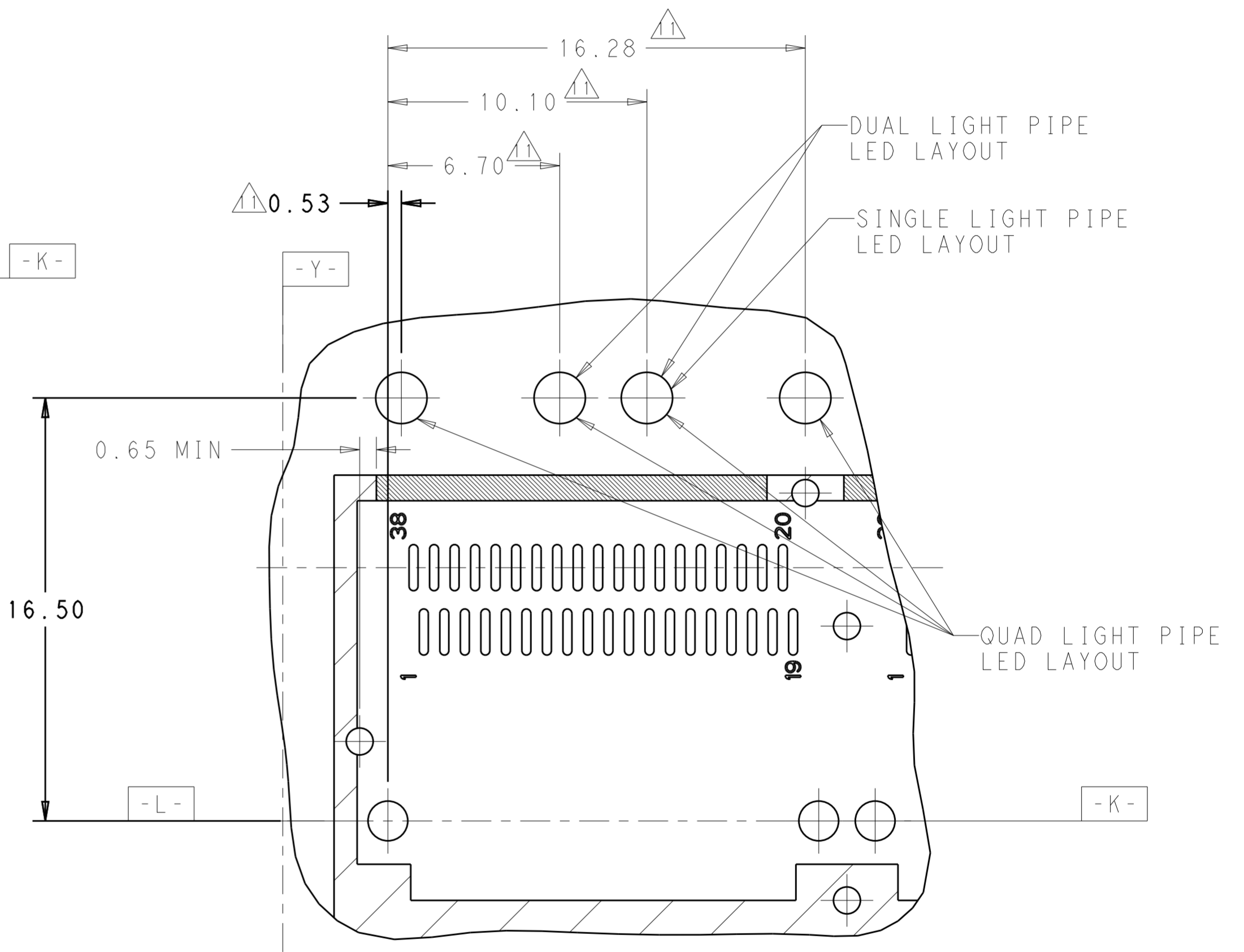
THIS DRAWING IS A CONTROLLED DOCUMENT.		DWN BING LIU 16SEP2014	STE TE Connectivity
		CHK JASON YANG 16SEP2014	
DIMENSIONS: mm	TOLERANCES UNLESS OTHERWISE SPECIFIED:	APVD -	NAME RECEPTACLE CAGE ASSEMBLY 1X2, QSFP28, THRU BEZEL, SPRING WITH HEAT SINKS AND LIGHT PIPES
0 PLC ±	1 PLC ±0.25	PRODUCT SPEC 108-19428	SIZE A200779
2 PLC ±0.2	3 PLC ±	APPLICATION SPEC 114-32023	CAGE CODE C-2170808
4 PLC ±	ANGLES ±	WEIGHT -	DRAWING NO -
MATERIAL SEE NOTES	FINISH SEE NOTES	CUSTOMER DRAWING	RESTRICTED TO -
		SCALE 1:1	SHEET 8 OF 9
			REV B

THIS DRAWING IS UNPUBLISHED. RELEASED FOR PUBLICATION 20
 © COPYRIGHT 20 BY - ALL RIGHTS RESERVED.

REVISIONS				
P	LTR	DESCRIPTION	DATE	APVD
-	-	SEE SHEET 1	-	-



DETAIL D
SCALE 4:1



DETAIL E
SCALE 6:1

THIS DRAWING IS A CONTROLLED DOCUMENT.		DWN BING LIU 16SEP2014	STE TE Connectivity
		CHK JASON YANG 16SEP2014	
DIMENSIONS: mm	TOLERANCES UNLESS OTHERWISE SPECIFIED:	APVD -	NAME RECEPTACLE CAGE ASSEMBLY 1X2, QSFP28, THRU BEZEL, SPRING WITH HEAT SINKS AND LIGHT PIPES
0 PLC ±	1 PLC ±0.25	PRODUCT SPEC 108-19428	SIZE A200779
2 PLC ±0.2	3 PLC ±	APPLICATION SPEC 114-32023	CAGE CODE C-2170808
4 PLC ±	ANGLES ±	WEIGHT -	DRAWING NO -
MATERIAL SEE NOTES	FINISH SEE NOTES	CUSTOMER DRAWING	RESTRICTED TO -
		SCALE 1:1	SHEET 9 OF 9
		REV B	

X-ON Electronics

Largest Supplier of Electrical and Electronic Components

Click to view similar products for [I/O Connectors](#) category:

Click to view products by [TE Connectivity](#) manufacturer:

Other Similar products are found below :

[571763P](#) [72.250.1628.2](#) [72.250.2428.2](#) [74720-0505](#) [76.350.0729.0](#) [76871-1403](#) [FCN-244F080-G/1](#) [FCN-260A9920](#) [MP-5T180MUNNA-005](#)
[PCR-E36PM](#) [PCS-XE26MA+](#) [G38A71314B](#) [1571250010](#) [157-22500-3](#) [MS3471L14-19P L/C](#) [91-569786-35H](#) [172501-4002](#) [172501-6002](#)
[FCN-260C008-A/L0](#) [FCN-260C024-AL0](#) [FCN-261Z008](#) [2000314-1](#) [200331-1](#) [PCR-E36FC+](#) [PCS-E28FS+](#) [PCS-XE26SLFD+](#) [PCS-](#)
[XE26SLFDT+](#) [G730VID08BDC24](#) [U90B2054081210](#) [UE86K842720321](#) [38113800006](#) [DP3AR020WQ1R200](#) [Z4.102.0680.0](#) [500-1040](#)
[500-1052](#) [500-1054](#) [ZP-4008-66L](#) [0709821002](#) [10-565995-597N](#) [DX40-20P\(55\)](#) [5554841-1](#) [U90B3054061110](#) [U65-E04-4020](#)
[ZPF00000000097891](#) [557-262M2-06C](#) [747360449](#) [10099439-003C-TRLF](#) [10137239-0021LF](#) [E9320-001-01](#) [10137239-0011LF](#)