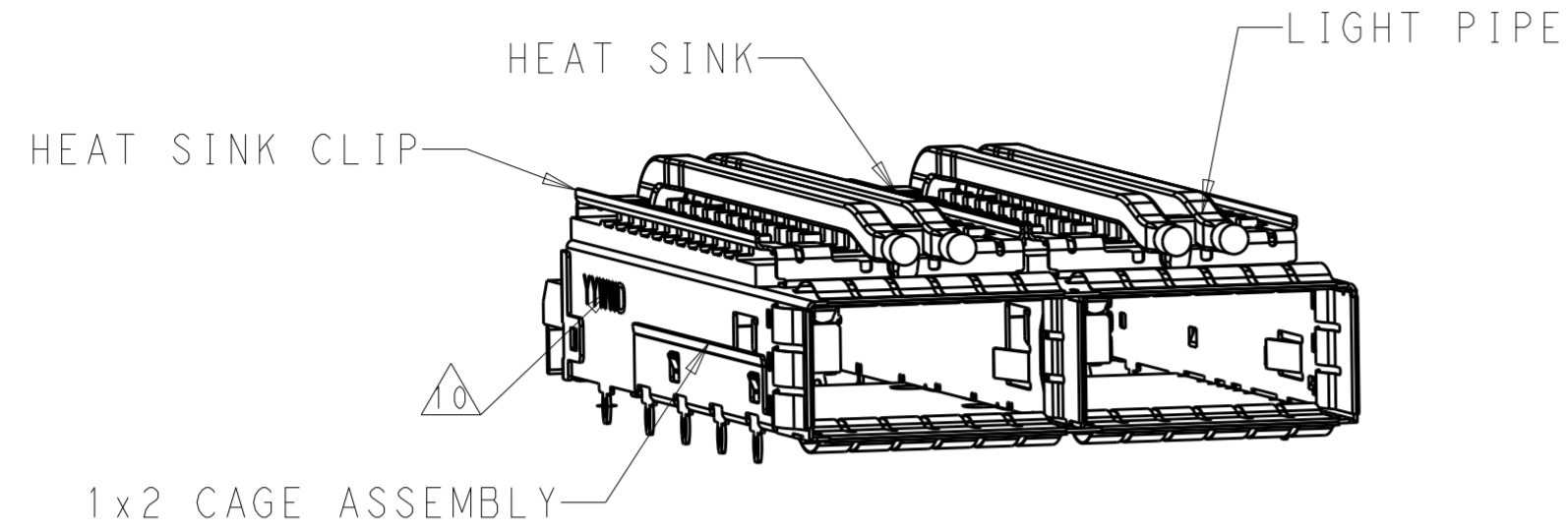


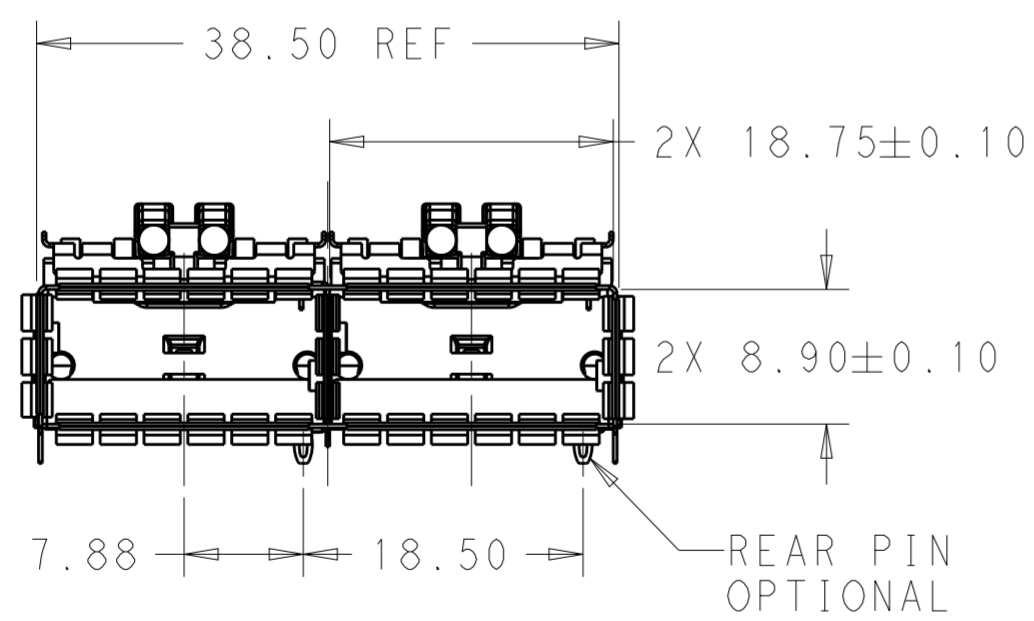
THIS DRAWING IS UNPUBLISHED. RELEASED FOR PUBLICATION 20  
 © COPYRIGHT 20 BY - ALL RIGHTS RESERVED.

REVISIONS					
P	LTR	DESCRIPTION	DATE	DWN	APVD
A		RELEASE	31OCT2016	JY	SH
B		ADD NEW PN 4-2170808-7	21MAY2019	JY	SH

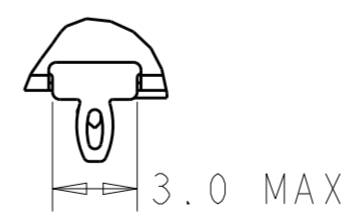
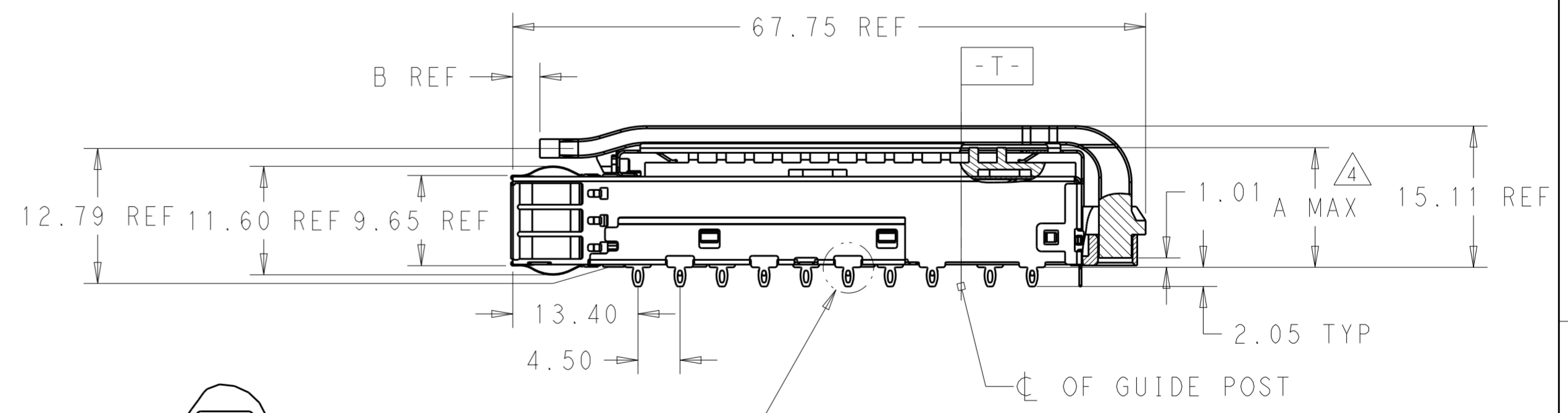


2-2170808-1 AS SHOWN  
 SCALE 2:1

1. COMPONENTS  
 CAGE ASSEMBLY: NICKEL-SILVER ALLOY  
 HEAT SINK: ALUMINUM/BLACK ANODIZE  
 HEAT SINK CLIP: STAINLESS STEEL  
 EMI SPRING: COPPER ALLOY/NICKEL PLATE  
 LIGHT PIPE: CLEAR POLYCARBONATE
2. REFERENCE APPLICATION SPECIFICATION 114-32023 FOR RECOMMENDED DRILL HOLE DIAMETER AND PLATING THICKNESS
3. DATUM AND BASIC DIMENSION ESTABLISHED BY CUSTOMER
4. DIMENSION APPLIES WITH MODULE INSERTED IN CAGE
5. HEAT SINKS, HEAT SINK CLIPS AND LIGHT PIPES ARE SHIPPED ASSEMBLED ON CAGE
6. MINIMUM PC BOARD THICKNESS: SINGLE SIDED: 1.57 MIN  
 DOUBLE SIDED: 2.20 MIN
7. DATUM -A- IS TOP SURFACE OF THE HOST BOARD.
8. THESE HOLES ARE OPTIONAL WHEN THE REAR PINS ARE REMOVED.
9. MATES WITH QSFP28 MSA COMPATIBLE TRANSCEIVER.
10. DATE CODE (YYWWD) MARKED APPROXIMATELY AS SHOWN.
11. NOTED DIMENSIONS ONLY APPLY TO CAGE ASSEMBLY WITH LIGHT PIPE.
12. PRELIMINARY PART - NOT RELEASED FOR PRODUCTION.



SCALE 2:1

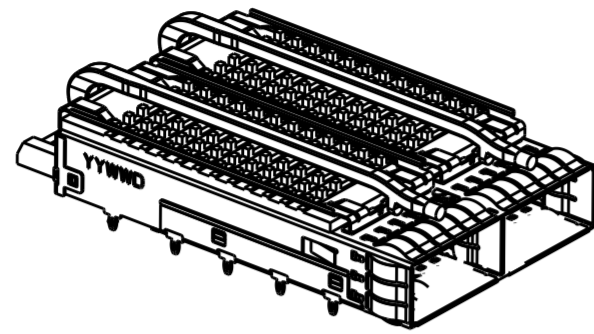


DETAIL E  
 SCALE 4:1

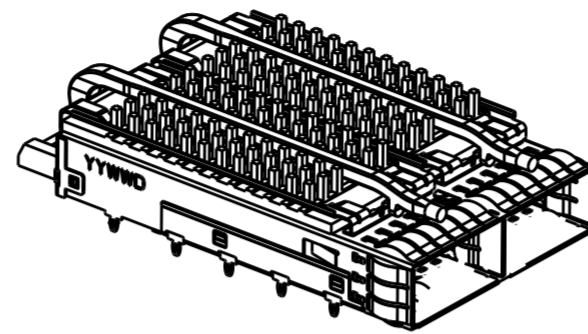
THIS DRAWING IS A CONTROLLED DOCUMENT.		DWN BING LIU 16SEP2014	<b>STE</b> TE Connectivity	
		CHK JASON YANG 16SEP2014		
DIMENSIONS: mm	TOLERANCES UNLESS OTHERWISE SPECIFIED: 0 PLC ± 1 PLC ±0.25 2 PLC ±0.2 3 PLC ± 4 PLC ± ANGLES ± FINISH	APVD -	NAME RECEPTACLE CAGE ASSEMBLY 1X2, QSFP28, THRU BEZEL, SPRING WITH HEAT SINKS AND LIGHT PIPES	RESTRICTED TO
MATERIAL SEE NOTES	SEE NOTES	PRODUCT SPEC 108-19428 APPLICATION SPEC 114-32023 WEIGHT -	SIZE A200779	CAGE CODE C-2170808
		CUSTOMER DRAWING	SCALE 1:1	SHEET 1 OF 9 REV B

REVISIONS				
P	LTR	DESCRIPTION	DATE	APVD
-		SEE SHEET 1	-	-

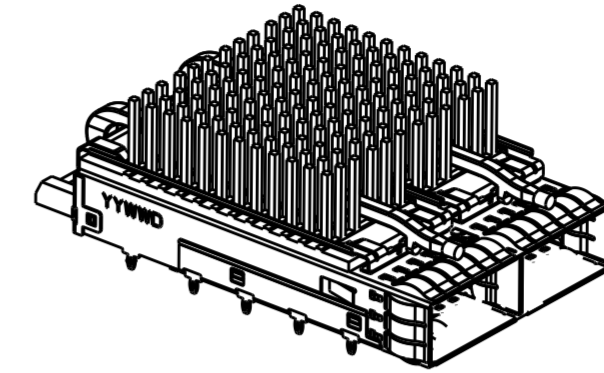
# HEAT SINK OPTION



PCI HEAT SINK HEIGHT  
SCALE 1:1

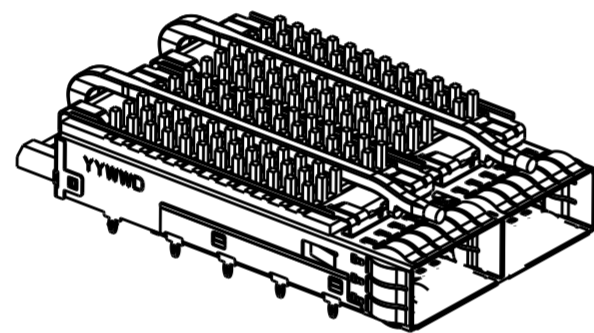


SAN HEAT SINK HEIGHT  
SCALE 1:1

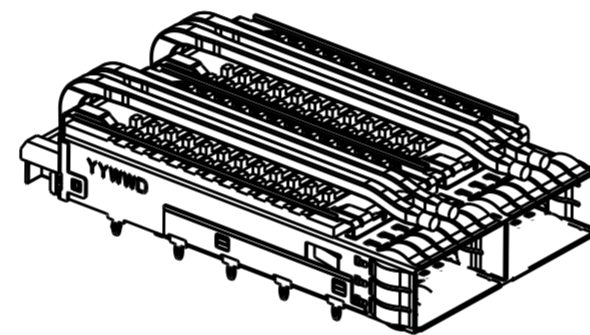


NETWORKING HEAT SINK HEIGHT  
SCALE 1:1

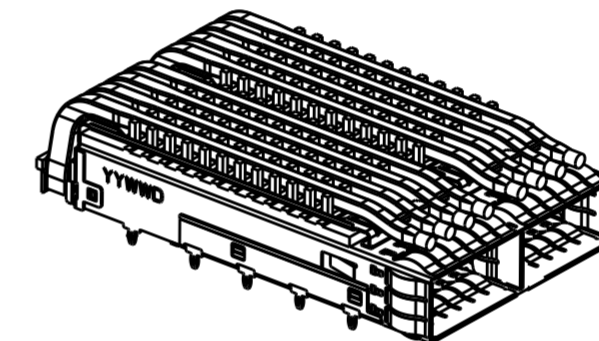
# LIGHT PIPE OPTION



SINGLE LIGHT PIPE  
SCALE 1:1

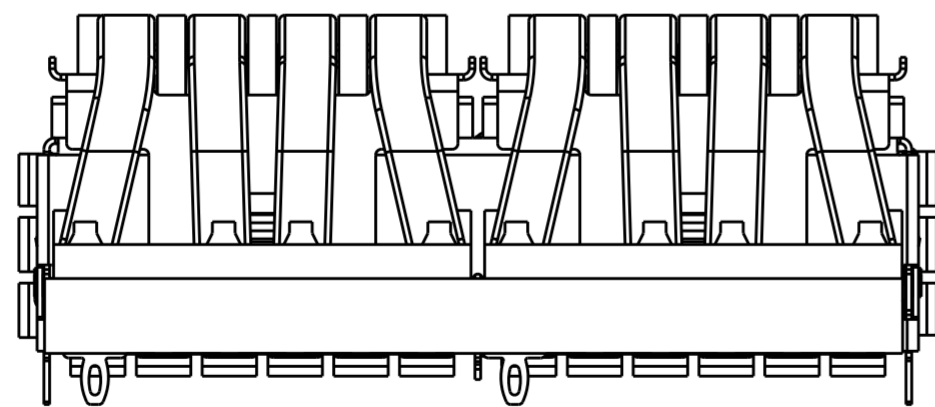


DUAL LIGHT PIPE  
SCALE 1:1

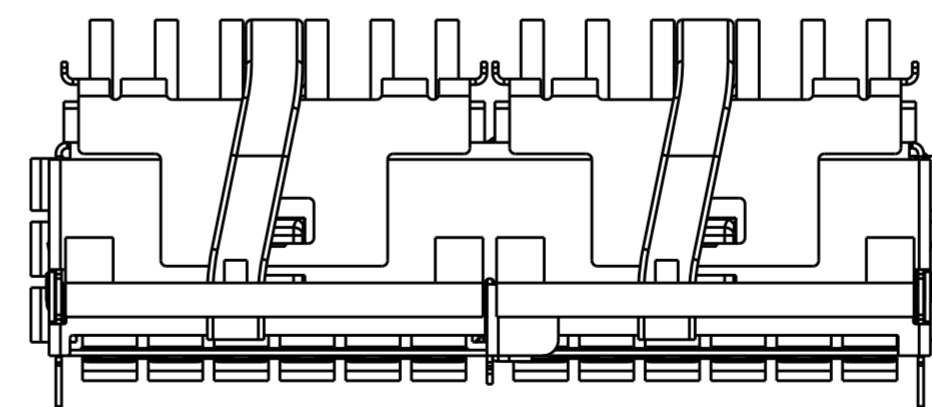


QUAD LIGHT PIPE  
SCALE 1:1

# # OF REAR PIN OPTION



1 REAR PIN  
SCALE 3:1



0 REAR PIN  
SCALE 3:1


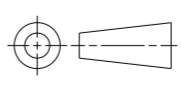
THIS DRAWING IS A CONTROLLED DOCUMENT.		DWN BING LIU 16SEP2014	TE Connectivity	
		CHK JASON YANG 16SEP2014		
DIMENSIONS: mm		TOLERANCES UNLESS OTHERWISE SPECIFIED:		NAME RECEPTACLE CAGE ASSEMBLY 1X2, QSFP28, THRU BEZEL, SPRING WITH HEAT SINKS AND LIGHT PIPES
		0 PLC ±	1 PLC ±0.25	PRODUCT SPEC 108-19428
MATERIAL SEE NOTES		2 PLC ±0.2	3 PLC ±	APPLICATION SPEC 114-32023
		4 PLC ±	ANGLES ±	FINISH SEE NOTES
		FINISH SEE NOTES		SIZE A200779
		CUSTOMER DRAWING		CAGE CODE C-2170808
		SCALE 1:1		DRAWING NO. RESTRICTED TO
		SHEET 2 OF 9		REV B

THIS DRAWING IS UNPUBLISHED. RELEASED FOR PUBLICATION 20  
 © COPYRIGHT 20 BY - ALL RIGHTS RESERVED.

REVISIONS					
P	LTR	DESCRIPTION	DATE	DWN	APVD
-		SEE SHEET 1	-	-	-

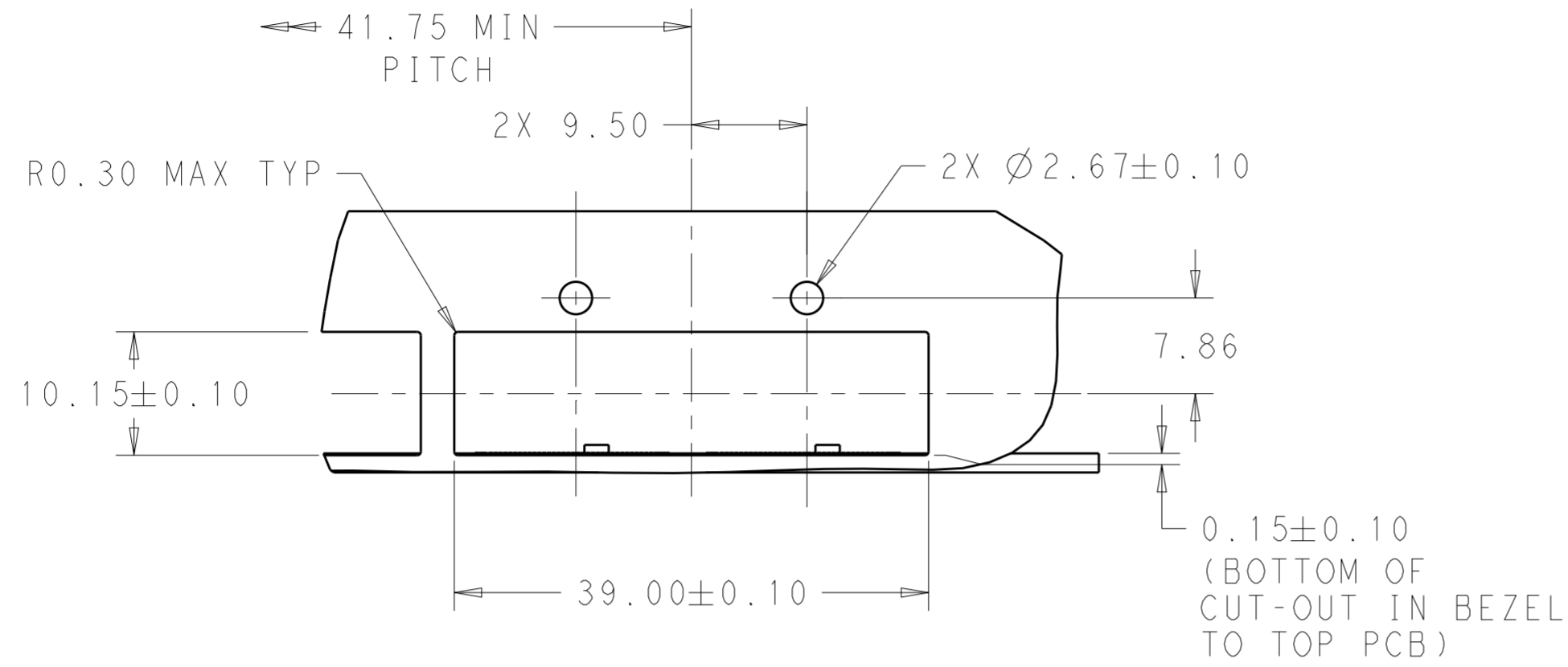
0	3.4	16.0	SAN	COATED QUAD LP	5-2170808-5
1	2.9	18.4	CUSTOMIZED	QUAD LP	4-2170808-7
0	2.9	23.0	NETWORKING	QUAD LP	4-2170808-6
0	2.9	16.0	SAN	QUAD LP	4-2170808-5
0	2.9	13.7	PCI	QUAD LP	4-2170808-4
1	2.9	23.0	NETWORKING	QUAD LP	4-2170808-3
1	2.9	16.0	SAN	QUAD LP	4-2170808-2
1	2.9	13.7	PCI	QUAD LP	4-2170808-1
1	4.5	13.7	PCI	SHORTER, QUAD LP	4-2170808-0
0	2.9	23.0	NETWORKING	DUAL LP	2-2170808-6
0	2.9	16.0	SAN	DUAL LP	2-2170808-5
0	2.9	13.7	PCI	DUAL LP	2-2170808-4
1	2.9	23.0	NETWORKING	DUAL LP	2-2170808-3
1	2.9	16.0	SAN	DUAL LP	2-2170808-2
1	2.9	13.7	PCI	DUAL LP	2-2170808-1
0	2.9	23.0	NETWORKING	SINGLE LP	2170808-6
0	2.9	16.0	SAN	SINGLE LP	2170808-5
0	2.9	13.7	PCI	SINGLE LP	2170808-4
1	2.9	23.0	NETWORKING	SINGLE LP	2170808-3
1	2.9	16.0	SAN	SINGLE LP	2170808-2
1	2.9	13.7	PCI	SINGLE LP	2170808-1
# OF REAR PIN	DIM B (LP EXTRUDE)	DIM A (PRODUCT HEIGHT)	APPLICATION	LIGHT PIPE OPTION	PART NUMBER



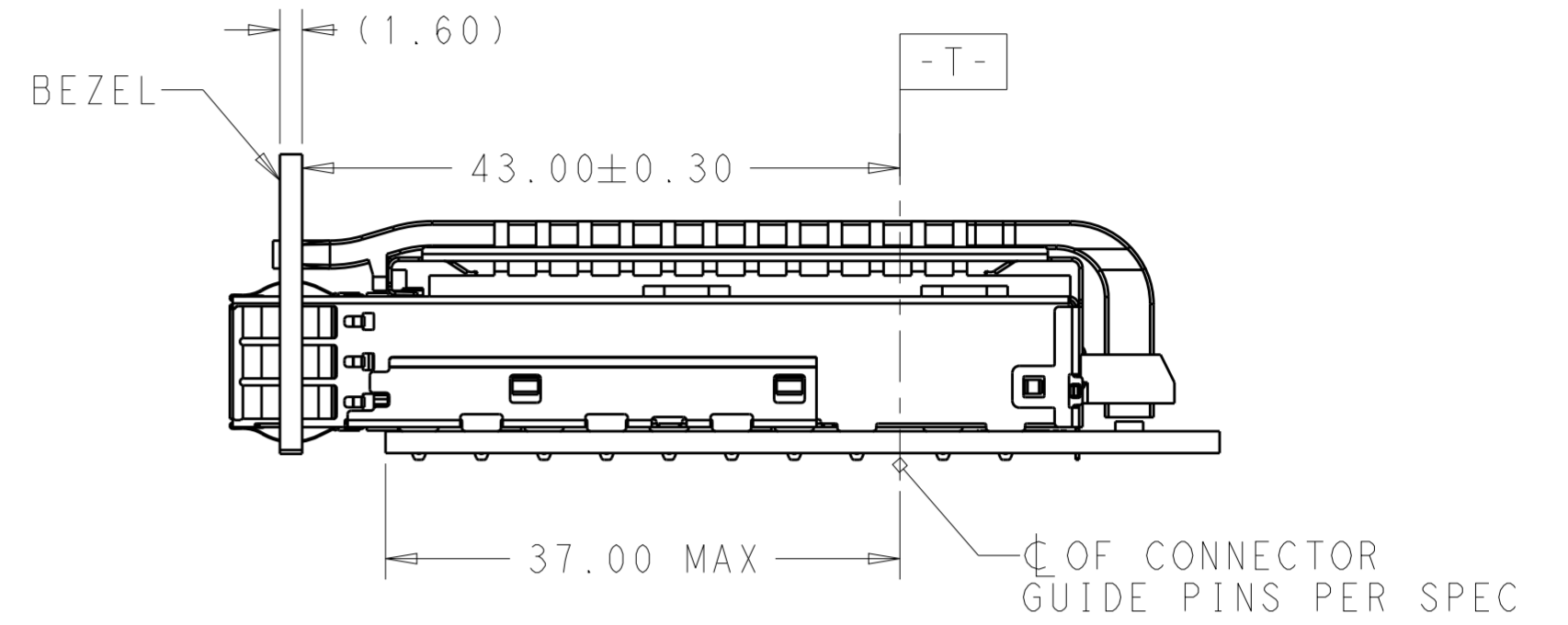
THIS DRAWING IS A CONTROLLED DOCUMENT.		DWN BING LIU 16SEP2014	 TE Connectivity	
		CHK JASON YANG 16SEP2014		
DIMENSIONS: mm	TOLERANCES UNLESS OTHERWISE SPECIFIED:	APVD -	NAME RECEPTACLE CAGE ASSEMBLY 1X2, QSFP28, THRU BEZEL, SPRING WITH HEAT SINKS AND LIGHT PIPES	
	0 PLC ± 1 PLC ±0.25 2 PLC ±0.2 3 PLC ± 4 PLC ±	PRODUCT SPEC 108-19428	SIZE A200779	CAGE CODE C-2170808
	ANGLES ± FINISH	APPLICATION SPEC 114-32023	DRAWING NO	RESTRICTED TO
MATERIAL SEE NOTES	SEE NOTES	WEIGHT -	SCALE 1:1 SHEET 3 OF 9 REV B	
		CUSTOMER DRAWING		

THIS DRAWING IS UNPUBLISHED. RELEASED FOR PUBLICATION 20  
 © COPYRIGHT 20 BY - ALL RIGHTS RESERVED.

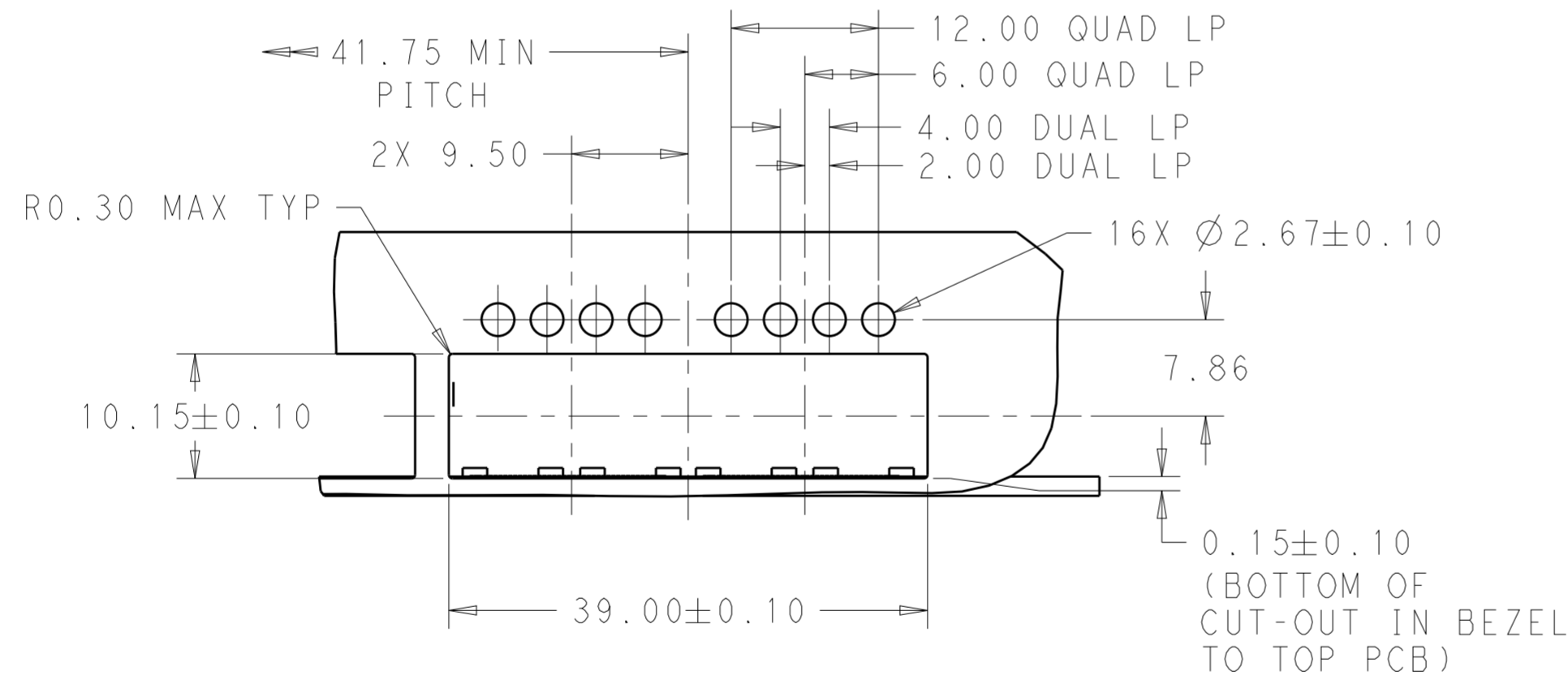
REVISIONS				
P	LTR	DESCRIPTION	DATE	APVD
-	-	SEE SHEET 1	-	-



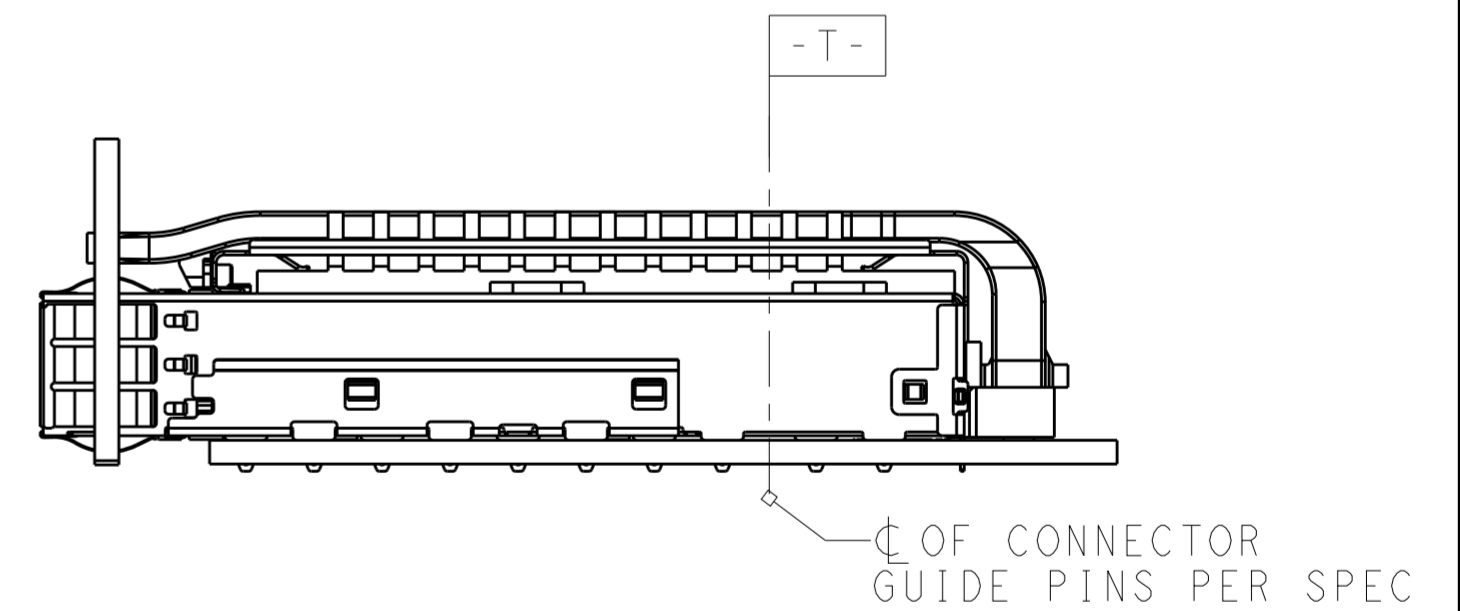
CAGE ASSEMBLY IS OMITED



SINGLE SIDE MOUNTING  
SCALE 2:1



CAGE ASSEMBLY IS OMITED

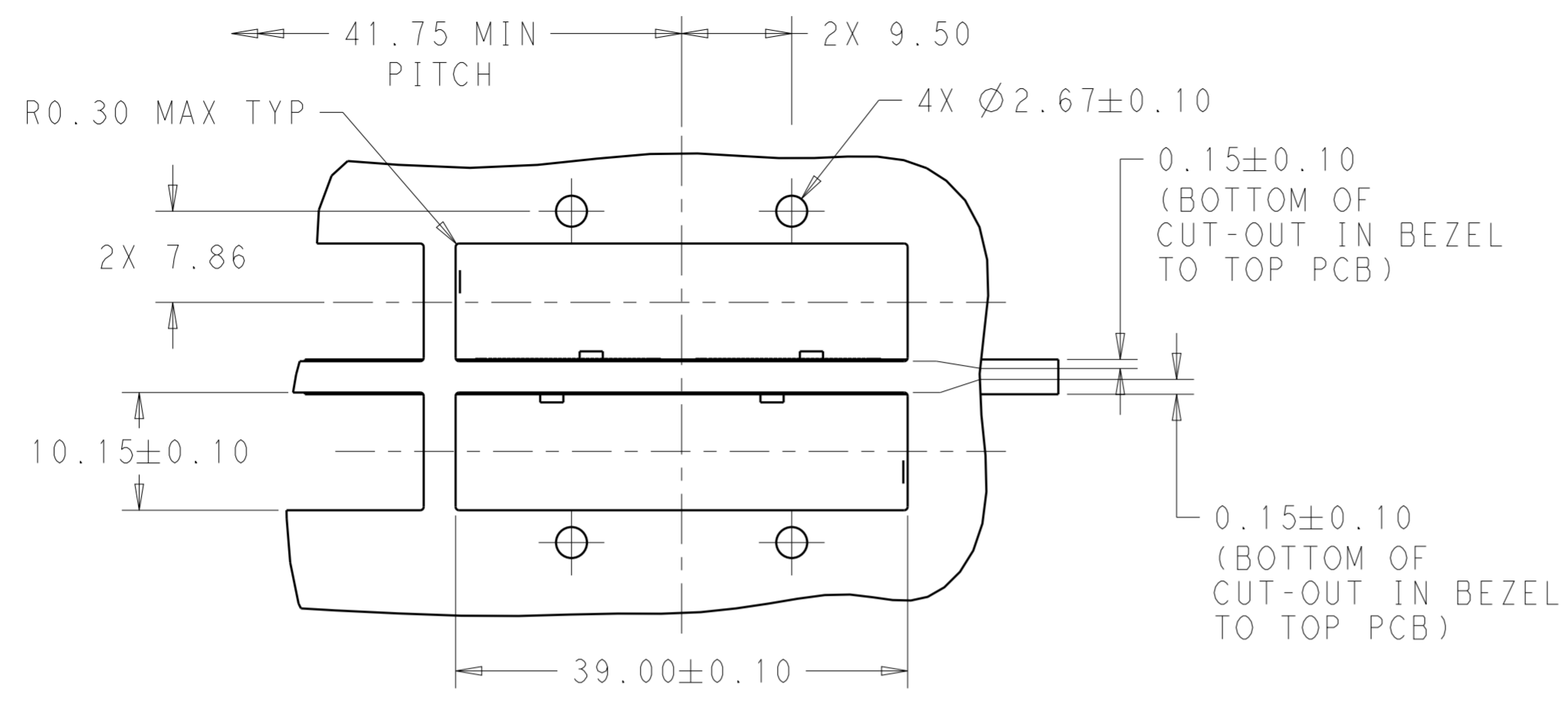


SINGLE SIDE MOUNTING  
SCALE 2:1

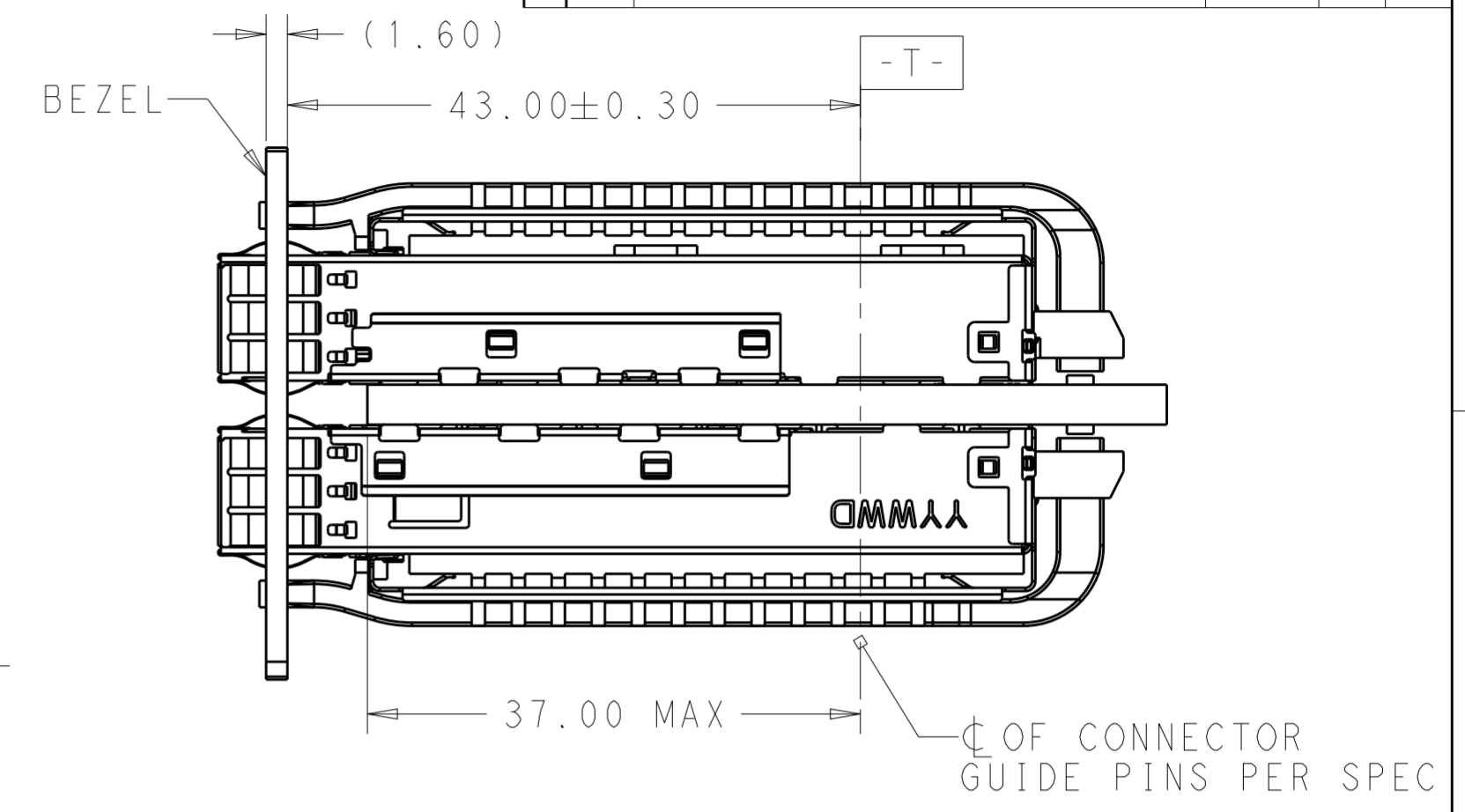
THIS DRAWING IS A CONTROLLED DOCUMENT.		DWN BING LIU 16SEP2014	TE Connectivity	
		CHK JASON YANG 16SEP2014		
DIMENSIONS:	TOLERANCES UNLESS OTHERWISE SPECIFIED:	APVD	NAME	
mm	0 PLC ± 1 PLC ±0.25 2 PLC ±0.2 3 PLC ± 4 PLC ± ANGLES ± FINISH	PRODUCT SPEC	RECEPTACLE CAGE ASSEMBLY	
MATERIAL	SEE NOTES	APPLICATION SPEC	SIZE	CAGE CODE
SEE NOTES	SEE NOTES	114-32023	A200779	C-2170808
		WEIGHT	DRAWING NO	
		CUSTOMER DRAWING	RESTRICTED TO	
		SCALE 1:1	SHEET 4 OF 9	REV B

THIS DRAWING IS UNPUBLISHED. RELEASED FOR PUBLICATION 20  
 © COPYRIGHT 20 BY - ALL RIGHTS RESERVED.

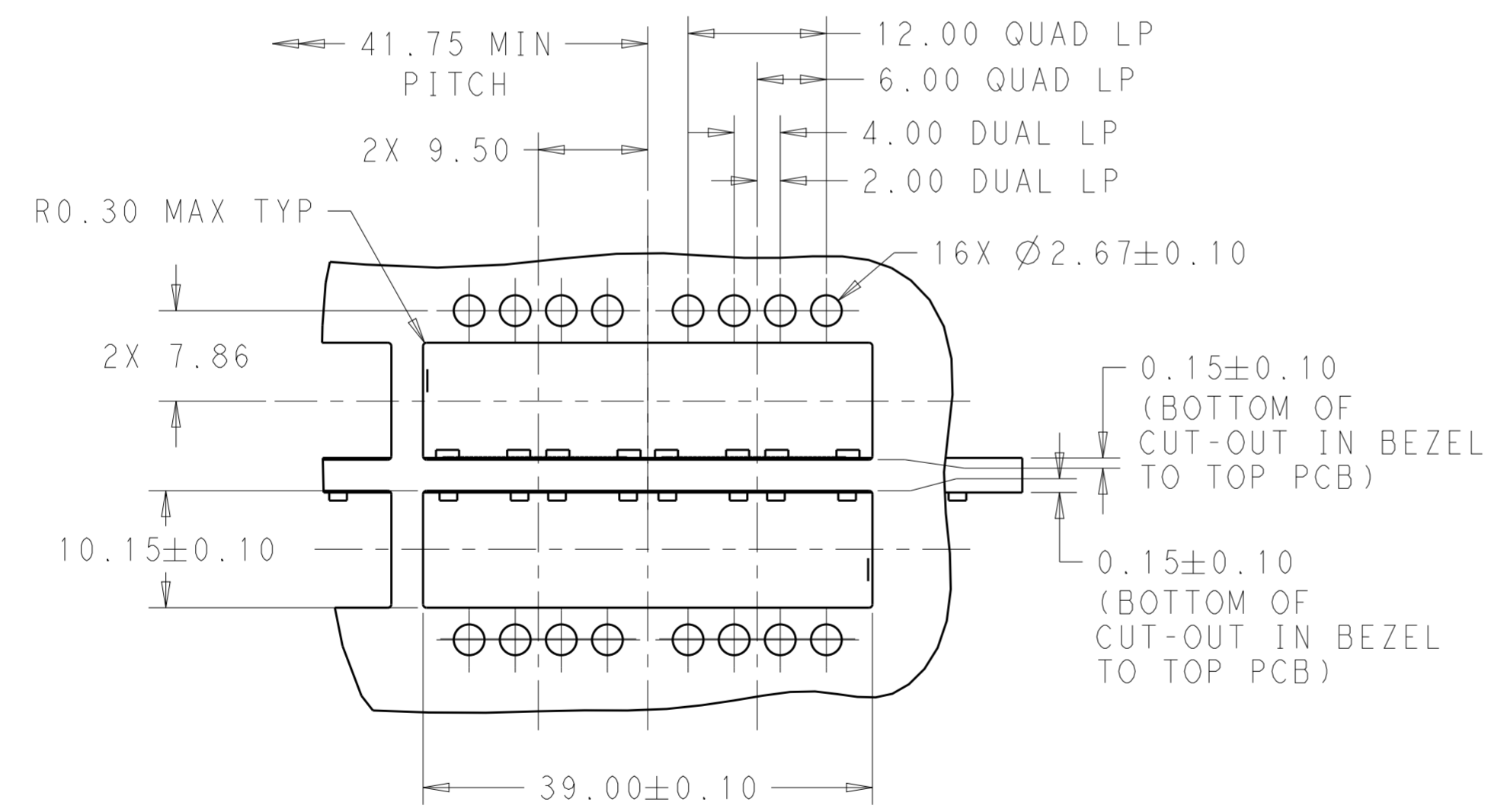
REVISIONS					
P	LTR	DESCRIPTION	DATE	DWN	APVD
-	-	SEE SHEET 1	-	-	-



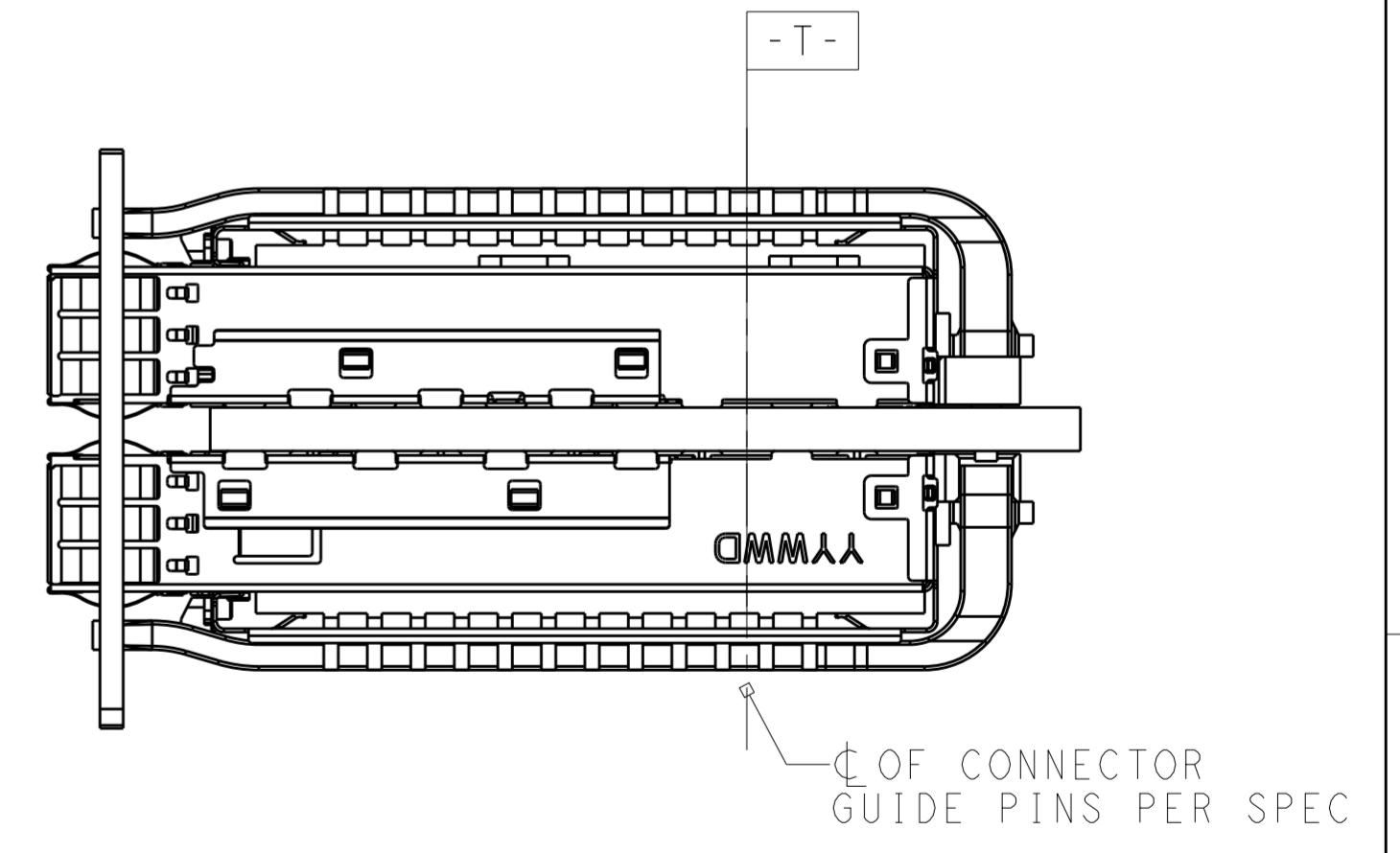
CAGE ASSEMBLY IS OMITED



BELLY TO BELLY MOUNTING  
SCALE 2:1



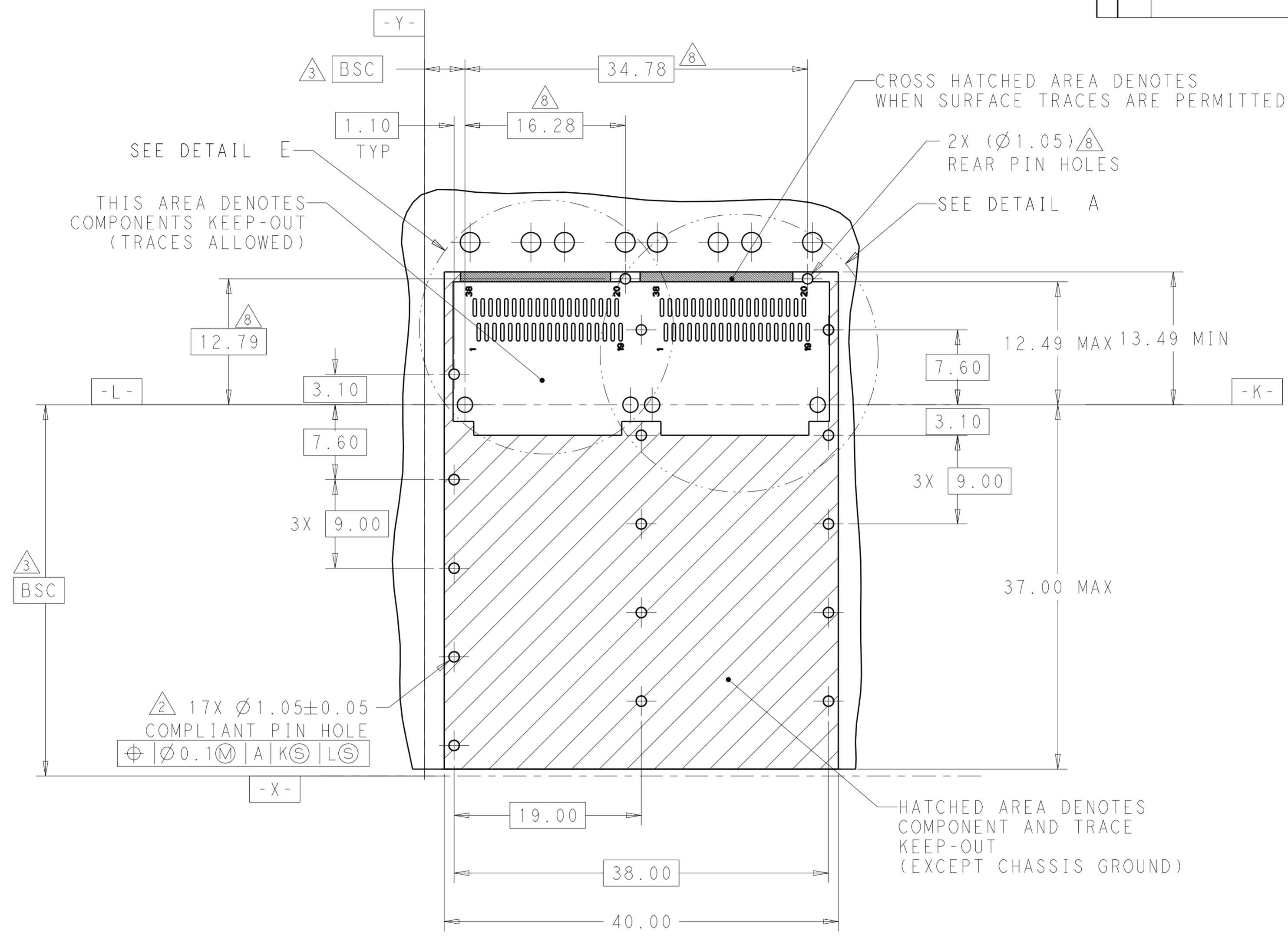
CAGE ASSEMBLY IS OMITED



BELLY TO BELLY MOUNTING  
SCALE 2:1

THIS DRAWING IS A CONTROLLED DOCUMENT.		DWN BING LIU 16SEP2014	TE Connectivity	
		CHK JASON YANG 16SEP2014		
DIMENSIONS: mm		TOLERANCES UNLESS OTHERWISE SPECIFIED:		NAME RECEPTACLE CAGE ASSEMBLY 1X2, QSFP28, THRU BEZEL, SPRING WITH HEAT SINKS AND LIGHT PIPES
		0 PLC ±	1 PLC ±0.25	PRODUCT SPEC 108-19428
MATERIAL SEE NOTES		2 PLC ±0.2	3 PLC ±	APPLICATION SPEC 114-32023
		4 PLC ±	ANGLES ±	SIZE A200779
		FINISH	SEE NOTES	CAGE CODE C-2170808
				DRAWING NO C-2170808
				RESTRICTED TO
				SCALE 1:1 SHEET 5 OF 9 REV B
				CUSTOMER DRAWING

REVISIONS				
P	LTR	DESCRIPTION	DATE	APVD
-	-	SEE SHEET 1	-	-



THIS AREA DENOTES COMPONENTS KEEP-OUT (TRACES ALLOWED)

CROSS HATCHED AREA DENOTES WHEN SURFACE TRACES ARE PERMITTED

2X (Ø1.05) REAR PIN HOLES

SEE DETAIL A

17X Ø1.05±0.05 COMPLIANT PIN HOLE  
 Ø0.1M | A | K | L

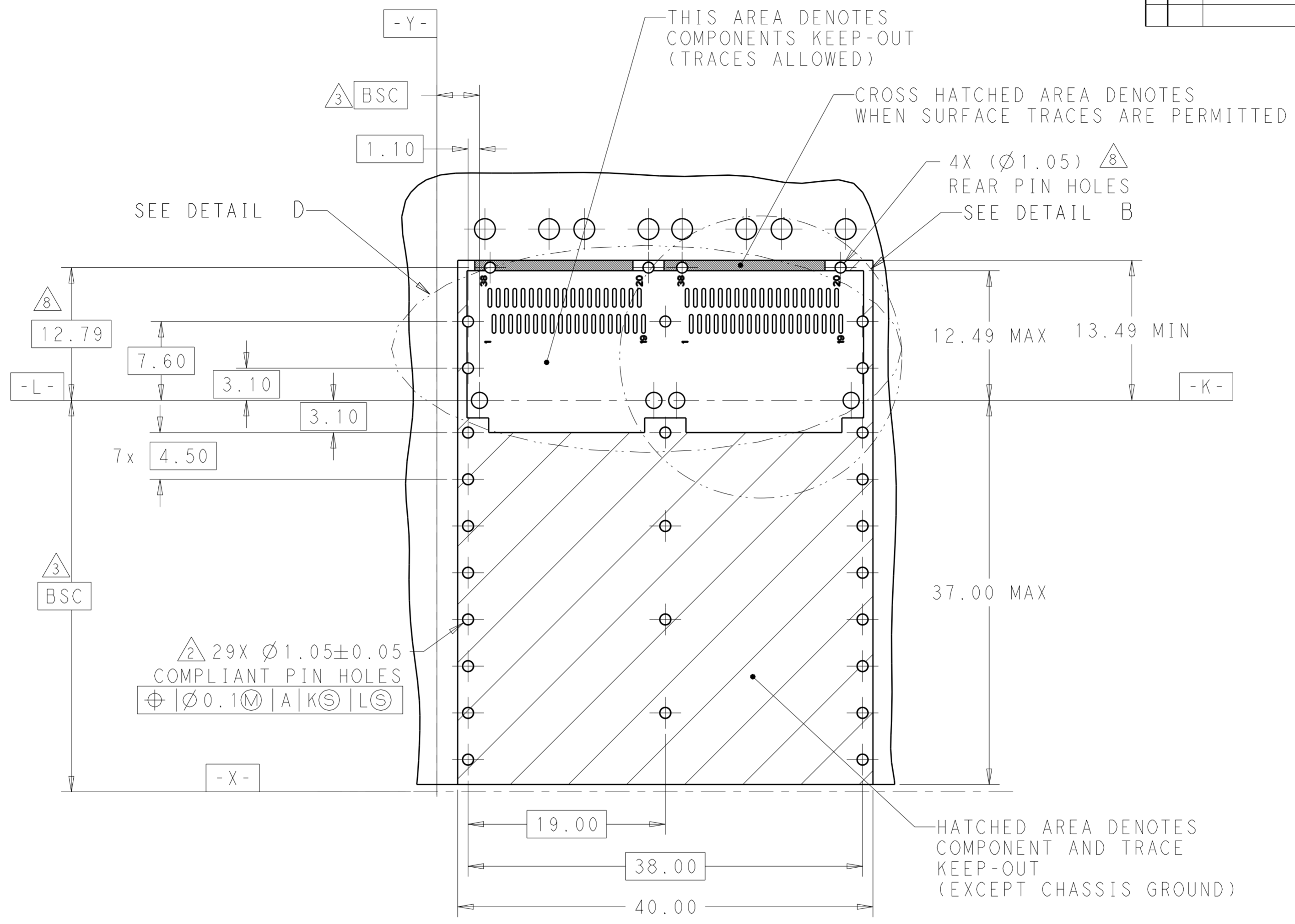
HATCHED AREA DENOTES COMPONENT AND TRACE KEEP-OUT (EXCEPT CHASSIS GROUND)

RECOMMENDED PCB LAYOUT  
 SINGLE TYPE  
 PCB TOLERANCE: ±0.05  
 SCALE 3:1

THIS DRAWING IS A CONTROLLED DOCUMENT.		DWN BING LIU 16SEP2014	TE Connectivity	
		CHK JASON YANG 16SEP2014		
DIMENSIONS: mm		APVD -	NAME RECEPTACLE CAGE ASSEMBLY 1X2, QSFP28, THRU BEZEL, SPRING WITH HEAT SINKS AND LIGHT PIPES	
TOLERANCES UNLESS OTHERWISE SPECIFIED:		PRODUCT SPEC 108-19428	SIZE CAGE CODE DRAWING NO RESTRICTED TO	
0 PLC ±		APPLICATION SPEC 114-32023	A200779 C-2170808	
1 PLC ±0.25		WEIGHT -	SCALE 1:1 SHEET 6 OF 9 REV B	
2 PLC ±0.2		CUSTOMER DRAWING		
3 PLC ±				
4 PLC ±				
ANGLES ±				
FINISH SEE NOTES				

THIS DRAWING IS UNPUBLISHED. RELEASED FOR PUBLICATION 20  
 © COPYRIGHT 20 BY - ALL RIGHTS RESERVED.

REVISIONS				
P	LTR	DESCRIPTION	DATE	APVD
-	-	SEE SHEET 1	-	-

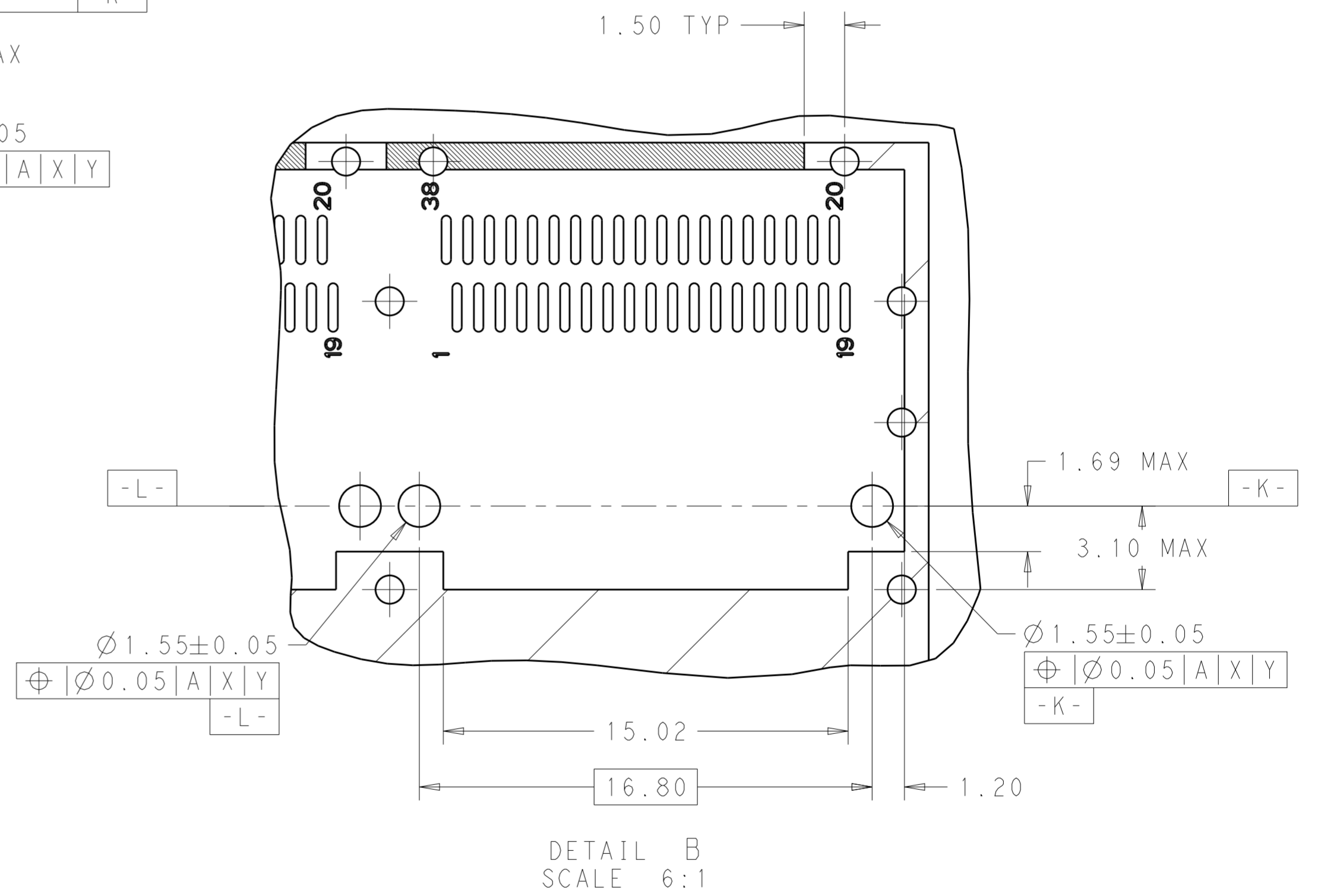
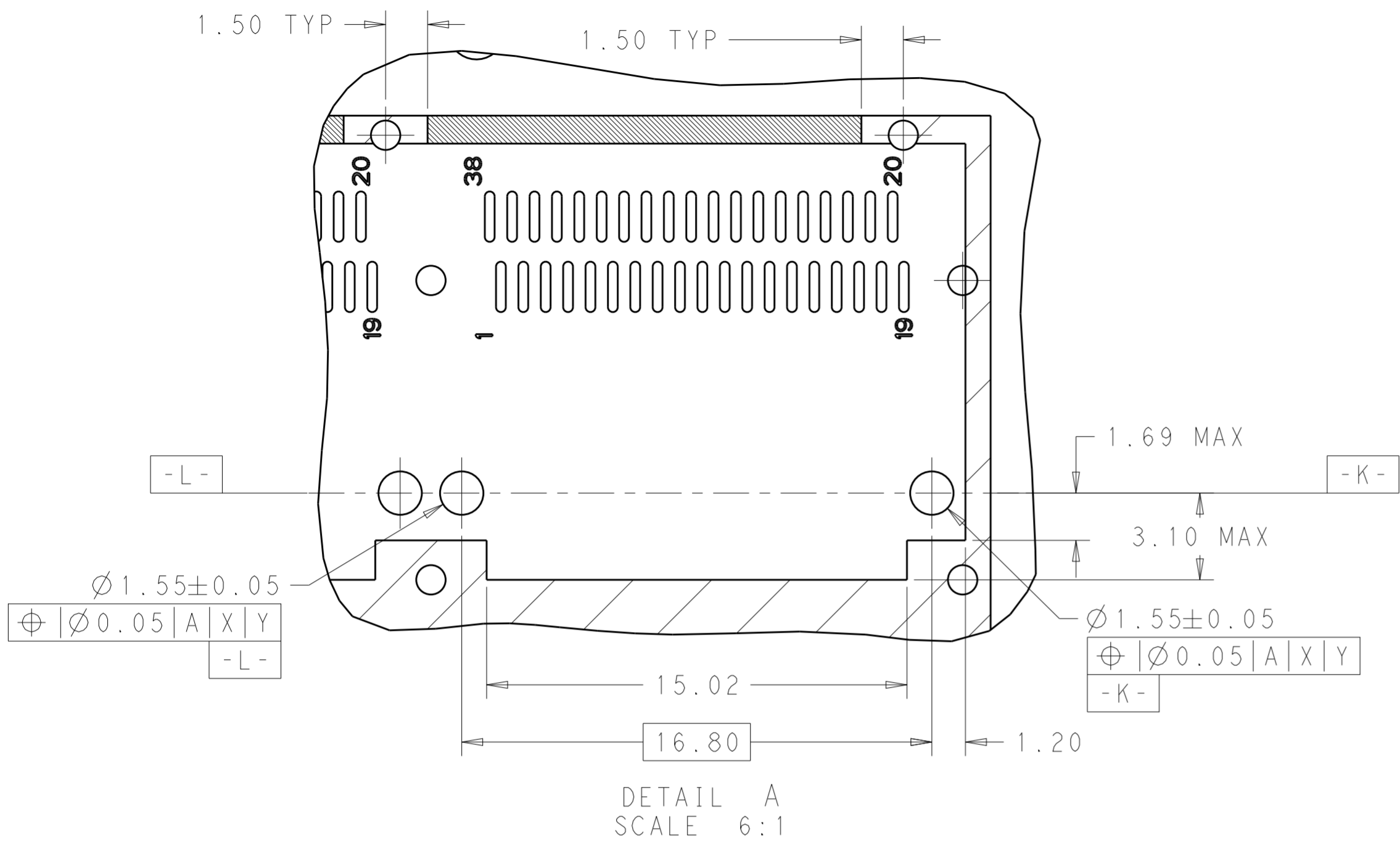


RECOMMENDED PCB LAYOUT  
 BELLY TO BELLY TYPE  
 PCB TOLERANCE: ±0.05  
 SCALE 3:1

THIS DRAWING IS A CONTROLLED DOCUMENT.		DWN BING LIU 16SEP2014	TE Connectivity	
		CHK JASON YANG 16SEP2014		
DIMENSIONS: mm		APVD -		NAME RECEPTACLE CAGE ASSEMBLY 1X2, QSFP28, THRU BEZEL, SPRING WITH HEAT SINKS AND LIGHT PIPES
TOLERANCES UNLESS OTHERWISE SPECIFIED: 0 PLC ± 1 PLC ±0.25 2 PLC ±0.2 3 PLC ± 4 PLC ± ANGLES ± FINISH		PRODUCT SPEC 108-19428		SIZE A200779
MATERIAL SEE NOTES		APPLICATION SPEC 114-32023		DRAWING NO C-2170808
		WEIGHT -		RESTRICTED TO -
		CUSTOMER DRAWING		SCALE 1:1 SHEET 7 OF 9 REV B

THIS DRAWING IS UNPUBLISHED. RELEASED FOR PUBLICATION 20  
 © COPYRIGHT 20 BY - ALL RIGHTS RESERVED.

REVISIONS				
P	LTR	DESCRIPTION	DATE	APVD
-	-	SEE SHEET 1	-	-

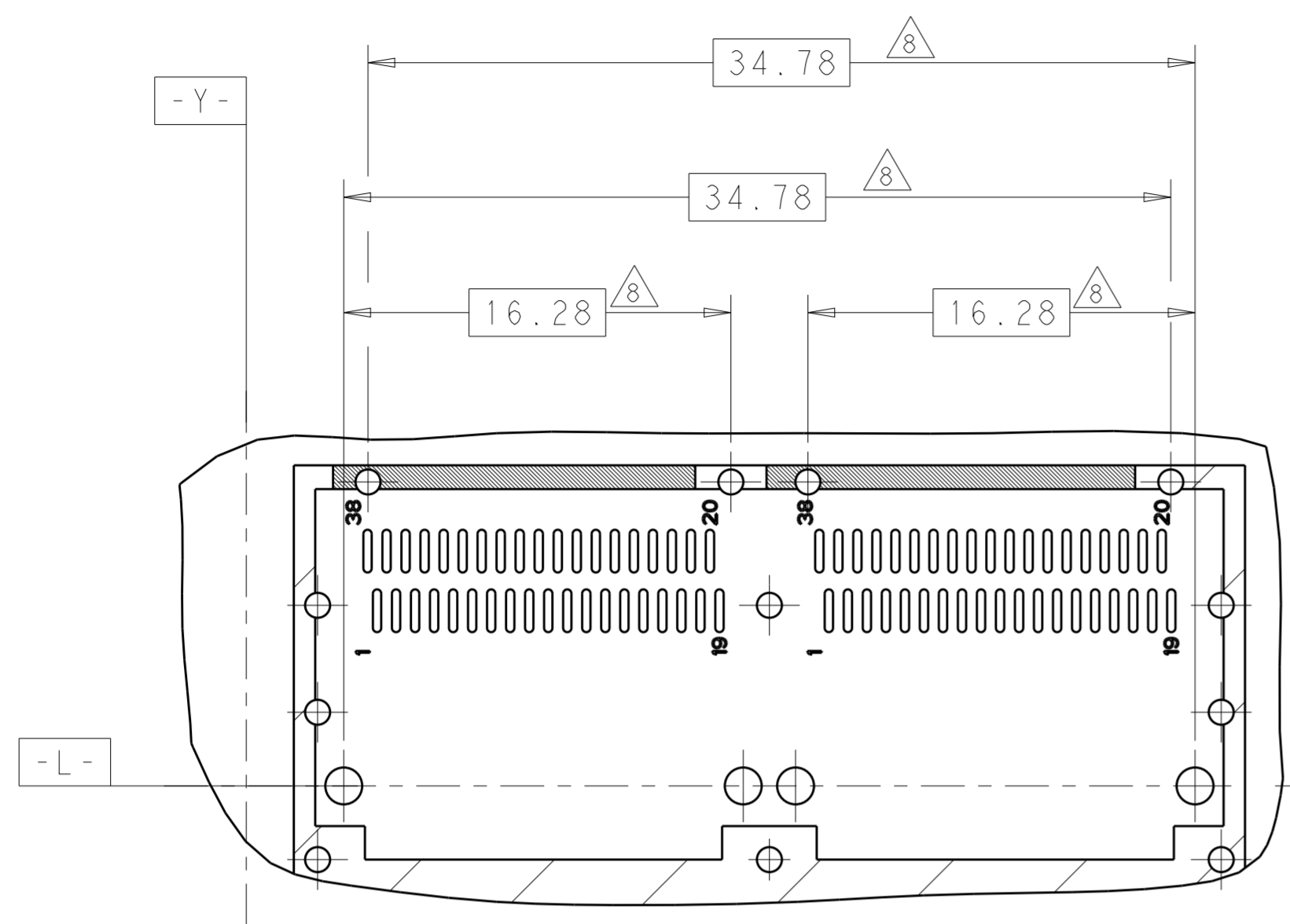


THIS DRAWING IS A CONTROLLED DOCUMENT.		DWN BING LIU 16SEP2014	<b>STE</b> TE Connectivity
		CHK JASON YANG 16SEP2014	
DIMENSIONS: mm	TOLERANCES UNLESS OTHERWISE SPECIFIED:	APVD -	NAME RECEPTACLE CAGE ASSEMBLY 1X2, QSFP28, THRU BEZEL, SPRING WITH HEAT SINKS AND LIGHT PIPES
0 PLC ±	1 PLC ±0.25	PRODUCT SPEC 108-19428	SIZE A200779
2 PLC ±0.2	3 PLC ±	APPLICATION SPEC 114-32023	CAGE CODE C-2170808
4 PLC ±	ANGLES ±	WEIGHT -	DRAWING NO -
MATERIAL SEE NOTES	FINISH SEE NOTES	CUSTOMER DRAWING	RESTRICTED TO -
		SCALE 1:1	SHEET 8 OF 9
		REV B	

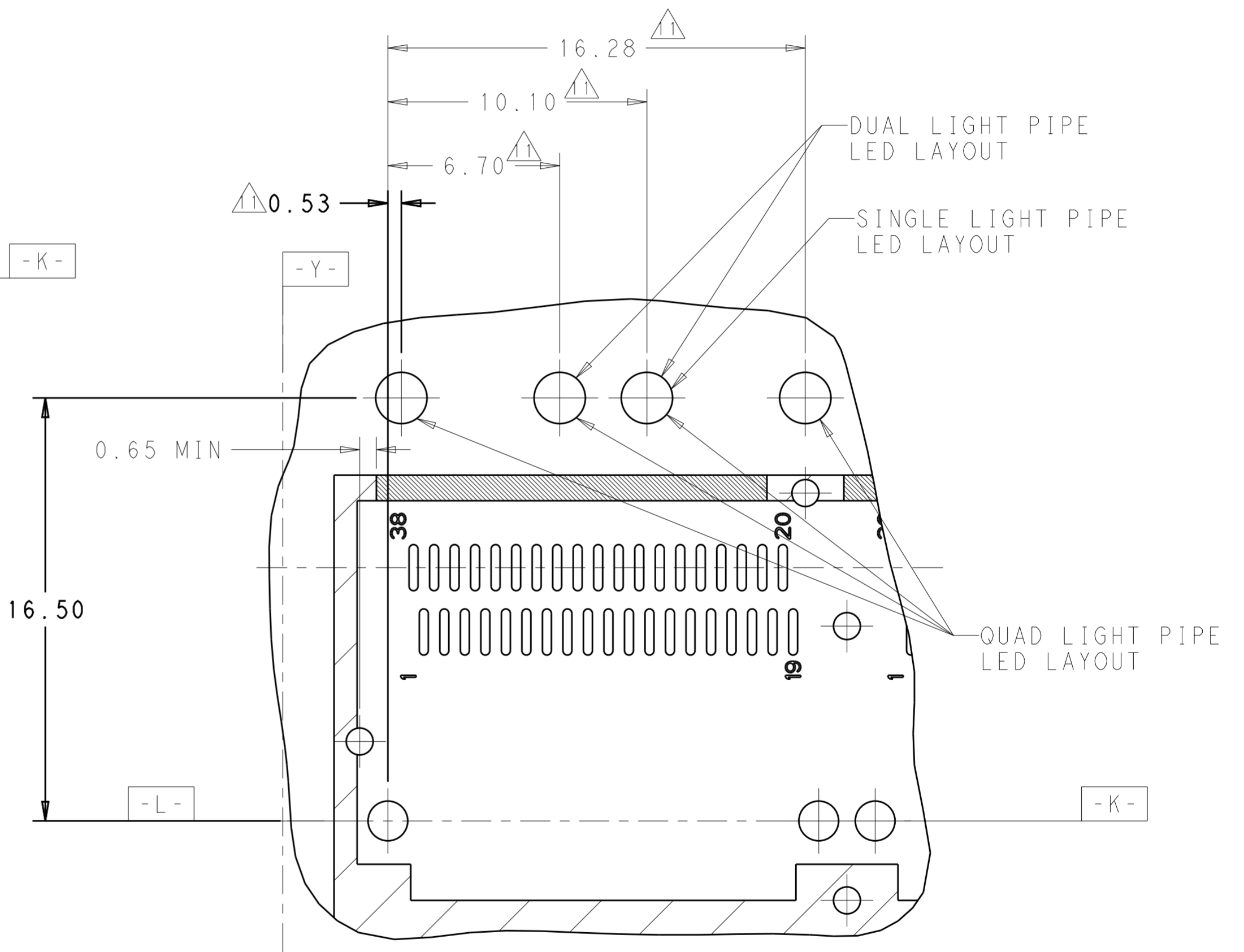


THIS DRAWING IS UNPUBLISHED. RELEASED FOR PUBLICATION 20  
 © COPYRIGHT 20 BY - ALL RIGHTS RESERVED.

REVISIONS				
P	LTR	DESCRIPTION	DATE	APVD
-	-	SEE SHEET 1	-	-



DETAIL D  
SCALE 4:1



DETAIL E  
SCALE 6:1

THIS DRAWING IS A CONTROLLED DOCUMENT.		DWN BING LIU 16SEP2014	<b>STE</b> TE Connectivity	
		CHK JASON YANG 16SEP2014		
DIMENSIONS: mm	TOLERANCES UNLESS OTHERWISE SPECIFIED:	APVD -	NAME RECEPTACLE CAGE ASSEMBLY 1X2, QSFP28, THRU BEZEL, SPRING WITH HEAT SINKS AND LIGHT PIPES	RESTRICTED TO
	0 PLC ± 1 PLC ±0.25 2 PLC ±0.2 3 PLC ± 4 PLC ±	PRODUCT SPEC 108-19428	SIZE A200779	DRAWING NO. C-2170808
MATERIAL SEE NOTES	FINISH SEE NOTES	APPLICATION SPEC 114-32023	SCALE 1:1	SHEET 9 OF 9
		WEIGHT -	CUSTOMER DRAWING	REV B

## X-ON Electronics

Largest Supplier of Electrical and Electronic Components

*Click to view similar products for [I/O Connectors](#) category:*

*Click to view products by [TE Connectivity](#) manufacturer:*

Other Similar products are found below :

[571763P](#) [58098-0628](#) [72.250.1628.2](#) [72.250.2428.2](#) [74720-0505](#) [76.350.0729.0](#) [76871-1403](#) [FCN-244F080-G/1](#) [FCN-260A9920](#) [PCR-E36PM](#) [PCS-XE26MA+](#) [G38A71314B](#) [1571250010](#) [157-22500-3](#) [MS3471L14-19P L/C](#) [172501-4002](#) [172501-6002](#) [FCN-260C008-A/L0](#) [FCN-260C024-AL0](#) [FCN-261Z008](#) [2000314-1](#) [200331-1](#) [PCR-E36FC+](#) [PCS-E28FS+](#) [PCS-XE26SLFD+](#) [PCS-XE26SLFDT+](#) [G730VID08BDC24](#) [U90B2054081210](#) [38113800006](#) [DP3AR020WQ1R200](#) [Z4.102.0680.0](#) [500-1040](#) [500-1052](#) [500-1054](#) [ZP-4008-66L](#) [0709821002](#) [DX40-20P\(55\)](#) [5554841-1](#) [MS3474W18-8P-LC\\*](#) [U90B3054061110](#) [U65-E04-4020](#) [ZPF000000000097891](#) [747360449](#) [10099439-003C-TRLF](#) [10137239-0021LF](#) [E9320-001-01](#) [10137239-0011LF](#) [70289-001LF](#) [70.060.1028.0](#) [109029-ZZ](#)