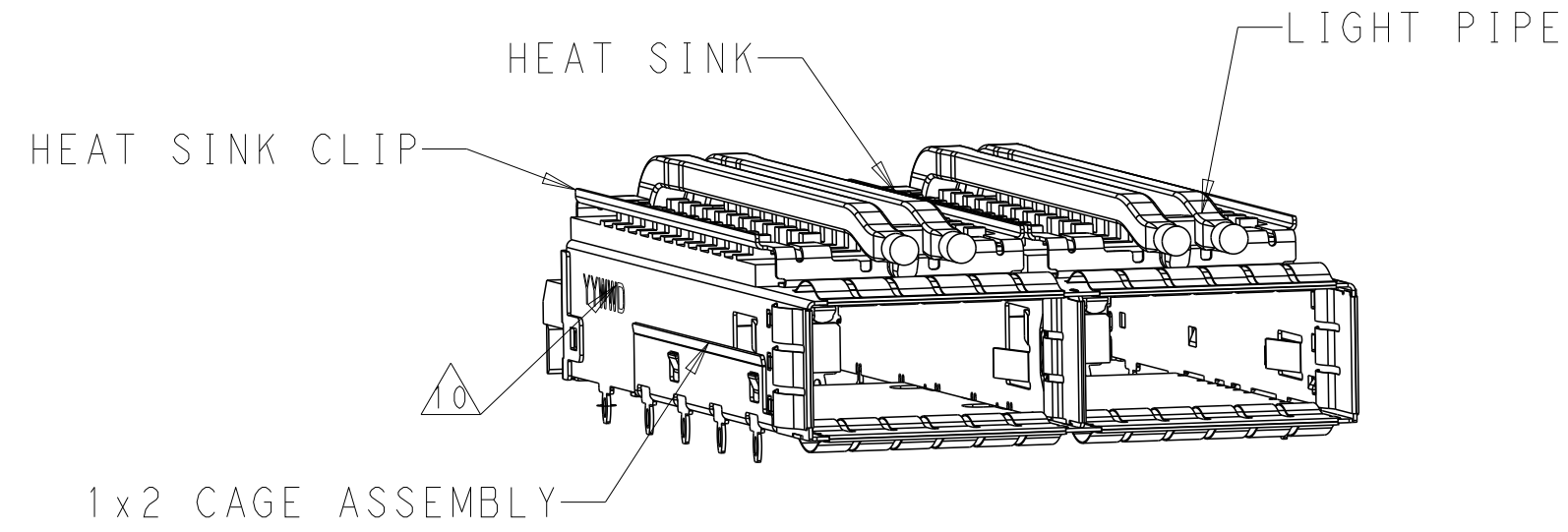


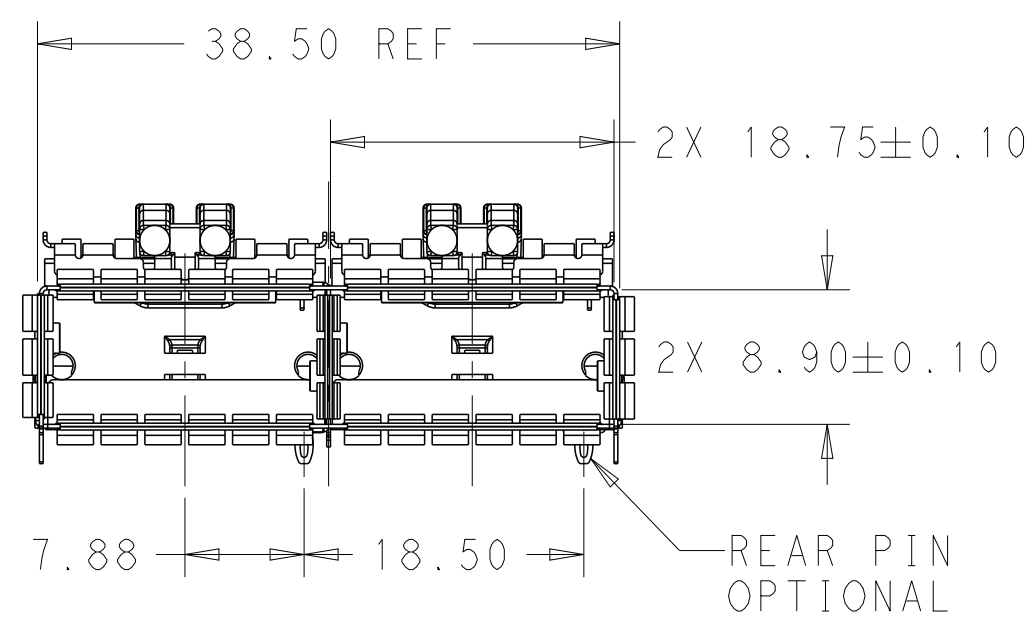
THIS DRAWING IS UNPUBLISHED. RELEASED FOR PUBLICATION 20  
 © COPYRIGHT 20 BY - ALL RIGHTS RESERVED.

| REVISIONS |     |                           |           |     |      |
|-----------|-----|---------------------------|-----------|-----|------|
| P         | LTR | DESCRIPTION               | DATE      | DWN | APVD |
| A         |     | RELEASE                   | 31OCT2016 | JY  | SH   |
| B         |     | ADD NEW PN 4-2170808-7    | 21MAY2019 | JY  | SH   |
| B1        |     | REVISED PER ECN-22-135969 | 08JAN2022 | TP  | SZ   |

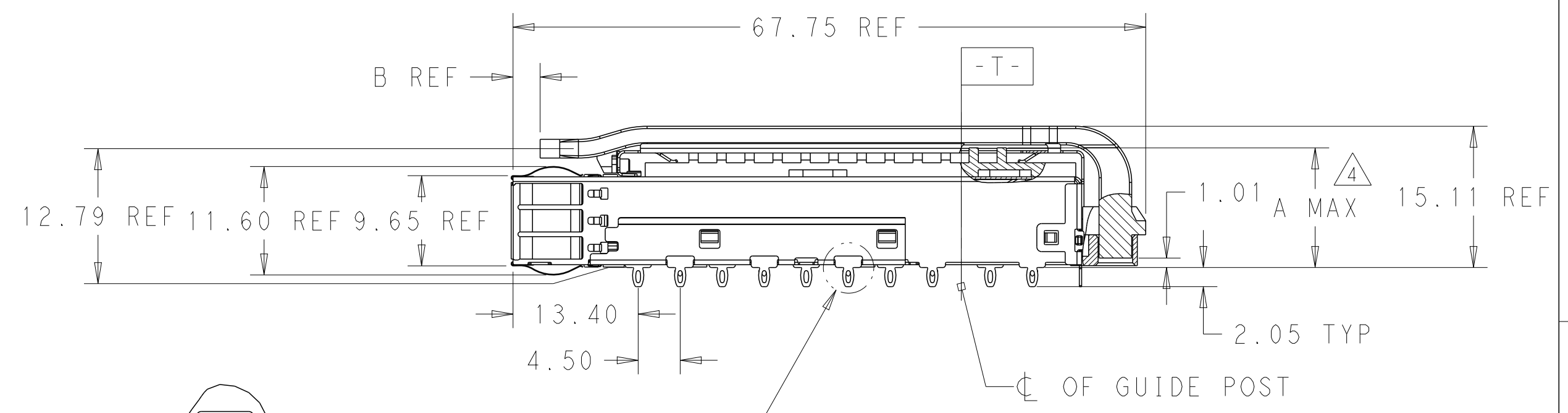


2-2170808-1 AS SHOWN  
 SCALE 2:1

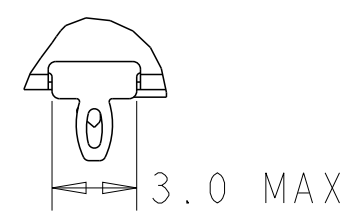
- COMPONENTS  
 CAGE ASSEMBLY: NICKEL-SILVER ALLOY  
 HEAT SINK: ALUMINUM/BLACK ANODIZE  
 HEAT SINK CLIP: STAINLESS STEEL  
 EMI SPRING: COPPER ALLOY/NICKEL PLATE  
 LIGHT PIPE: CLEAR POLYCARBONATE
- REFERENCE APPLICATION SPECIFICATION 114-32023 FOR RECOMMENDED DRILL HOLE DIAMETER AND PLATING THICKNESS
- DATUM AND BASIC DIMENSION ESTABLISHED BY CUSTOMER
- DIMENSION APPLIES WITH MODULE INSERTED IN CAGE
- HEAT SINKS, HEAT SINK CLIPS AND LIGHT PIPES ARE SHIPPED ASSEMBLED ON CAGE
- MINIMUM PC BOARD THICKNESS: SINGLE SIDED: 1.57 MIN  
 DOUBLE SIDED: 2.20 MIN
- DATUM **-A-** IS TOP SURFACE OF THE HOST BOARD.
- THESE HOLES ARE OPTIONAL WHEN THE REAR PINS ARE REMOVED.
- MATES WITH QSFP28 MSA COMPATIBLE TRANSCEIVER.
- DATE CODE (YYWWD) MARKED APPROXIMATELY AS SHOWN.
- NOTED DIMENSIONS ONLY APPLY TO CAGE ASSEMBLY WITH LIGHT PIPE.
- PRELIMINARY PART - NOT RELEASED FOR PRODUCTION.



SCALE 2:1



SECTION A-A  
 D-D

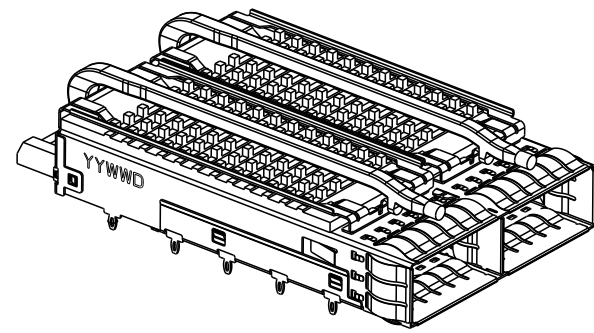


DETAIL E  
 SCALE 4:1

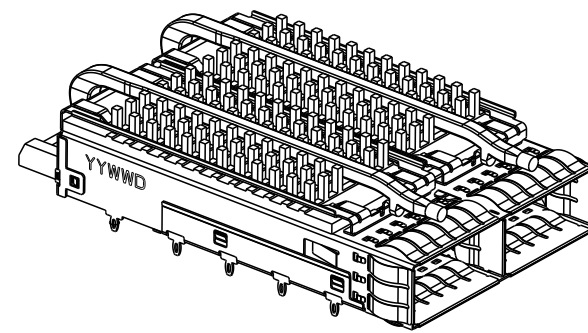
|  |  |                            |   |                     |
|--|--|----------------------------|---|---------------------|
| THIS DRAWING IS A CONTROLLED DOCUMENT. |  | DWN BING LIU 16SEP2014     | <b>STE</b> TE Connectivity                                      |                     |
|  |  | CHK JASON YANG 16SEP2014   |   |                     |
| DIMENSIONS:                            | TOLERANCES UNLESS OTHERWISE SPECIFIED:                     | APVD -                     | NAME RECEPTACLE CAGE ASSEMBLY                                   |                     |
| mm                                     | 0 PLC ±<br>1 PLC ±0.25<br>2 PLC ±0.2<br>3 PLC ±<br>4 PLC ± | PRODUCT SPEC 108-19428     | 1X2, QSFP28, THRU BEZEL, SPRING WITH HEAT SINKS AND LIGHT PIPES |                     |
| MATERIAL SEE NOTES                     | FINISH SEE NOTES   | APPLICATION SPEC 114-32023 | SIZE A2   | CAGE CODE 00779     |
|  |  | WEIGHT -                   | DRAWING NO C-2170808  | RESTRICTED TO -     |
|  |  | CUSTOMER DRAWING           | SCALE 1:1   | SHEET 1 OF 9 REV B1 |

| REVISIONS |     |             |      |      |
|-----------|-----|-------------|------|------|
| P         | LTR | DESCRIPTION | DATE | APVD |
| -         |     | SEE SHEET 1 | -    | -    |
|           |     |             |      |      |
|           |     |             |      |      |

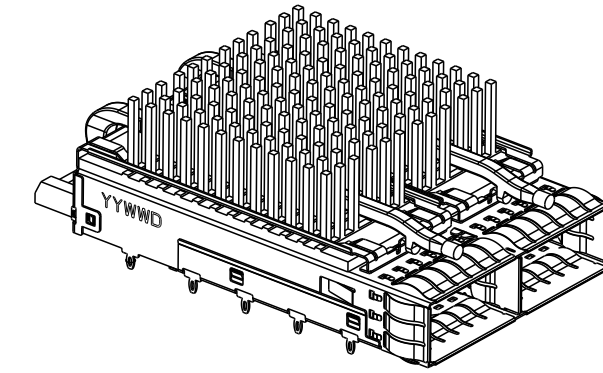
# HEAT SINK OPTION



PCI HEAT SINK HEIGHT  
SCALE 1:1

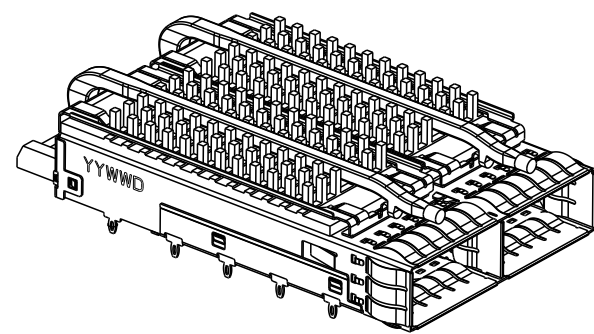


SAN HEAT SINK HEIGHT  
SCALE 1:1

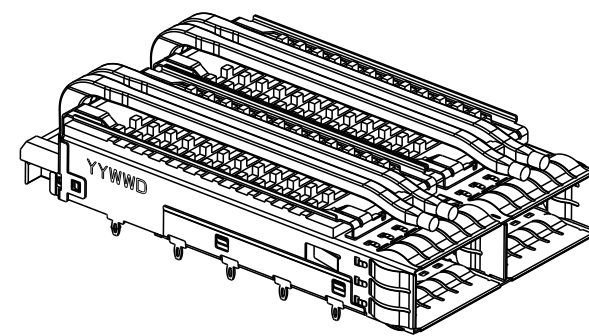


NETWORKING HEAT SINK HEIGHT  
SCALE 1:1

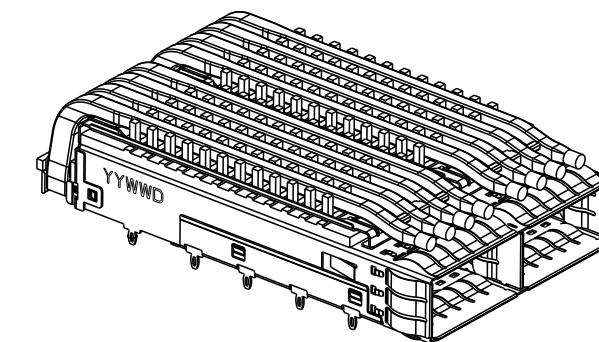
# LIGHT PIPE OPTION



SINGLE LIGHT PIPE  
SCALE 1:1

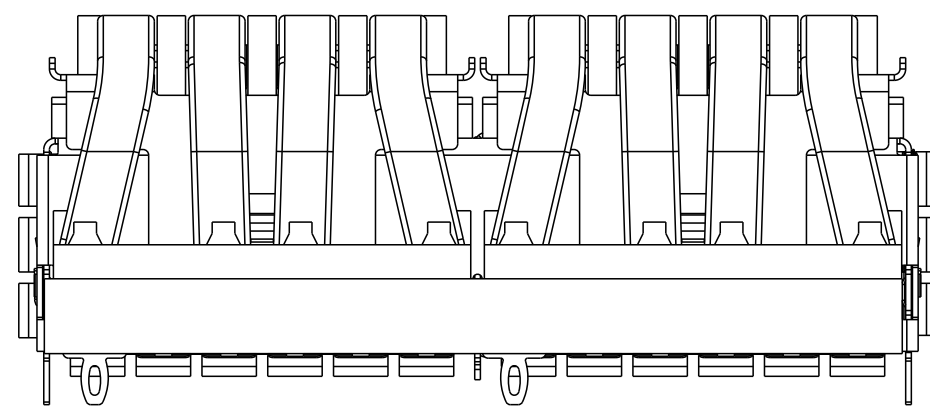


DUAL LIGHT PIPE  
SCALE 1:1

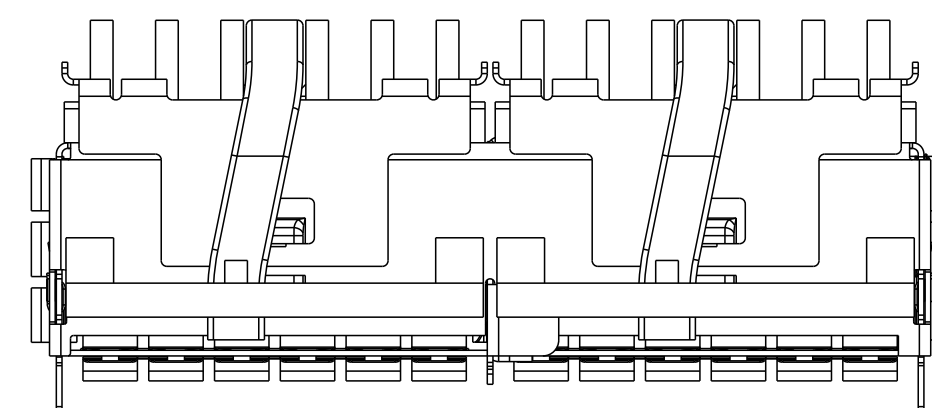


QUAD LIGHT PIPE  
SCALE 1:1


# # OF REAR PIN OPTION



1 REAR PIN  
SCALE 3:1



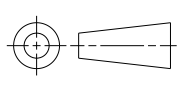
0 REAR PIN  
SCALE 3:1

|  |  |                                |  |                         |
|--|--|--------------------------------|--|-------------------------|
| THIS DRAWING IS A CONTROLLED DOCUMENT.   |  | DWN<br>BING LIU<br>16SEP2014   |  TE Connectivity  |                         |
|  |  | CHK<br>JASON YANG<br>16SEP2014 |  |                         |
| DIMENSIONS:<br>mm  |  | APVD<br>-                      | NAME<br>RECEPTACLE CAGE ASSEMBLY<br>1X2, QSFP28, THRU BEZEL, SPRING<br>WITH HEAT SINKS AND LIGHT PIPES |                         |
| TOLERANCES UNLESS OTHERWISE SPECIFIED:<br>0 PLC ±<br>1 PLC ±0.25<br>2 PLC ±0.2<br>3 PLC ±<br>4 PLC ±<br>ANGLES ±<br>FINISH |  | PRODUCT SPEC<br>108-19428      | SIZE<br>114-32023  | RESTRICTED TO<br>-      |
| MATERIAL<br>SEE NOTES  |  | APPLICATION SPEC<br>114-32023  | CAGE CODE<br>A200779   | DRAWING NO<br>C-2170808 |
|  |  | WEIGHT<br>-                    | SCALE 1:1 SHEET 2 OF 9 REV B1  |                         |
|  |  | CUSTOMER DRAWING               |  |                         |

THIS DRAWING IS UNPUBLISHED. RELEASED FOR PUBLICATION 20  
 © COPYRIGHT 20 BY - ALL RIGHTS RESERVED.

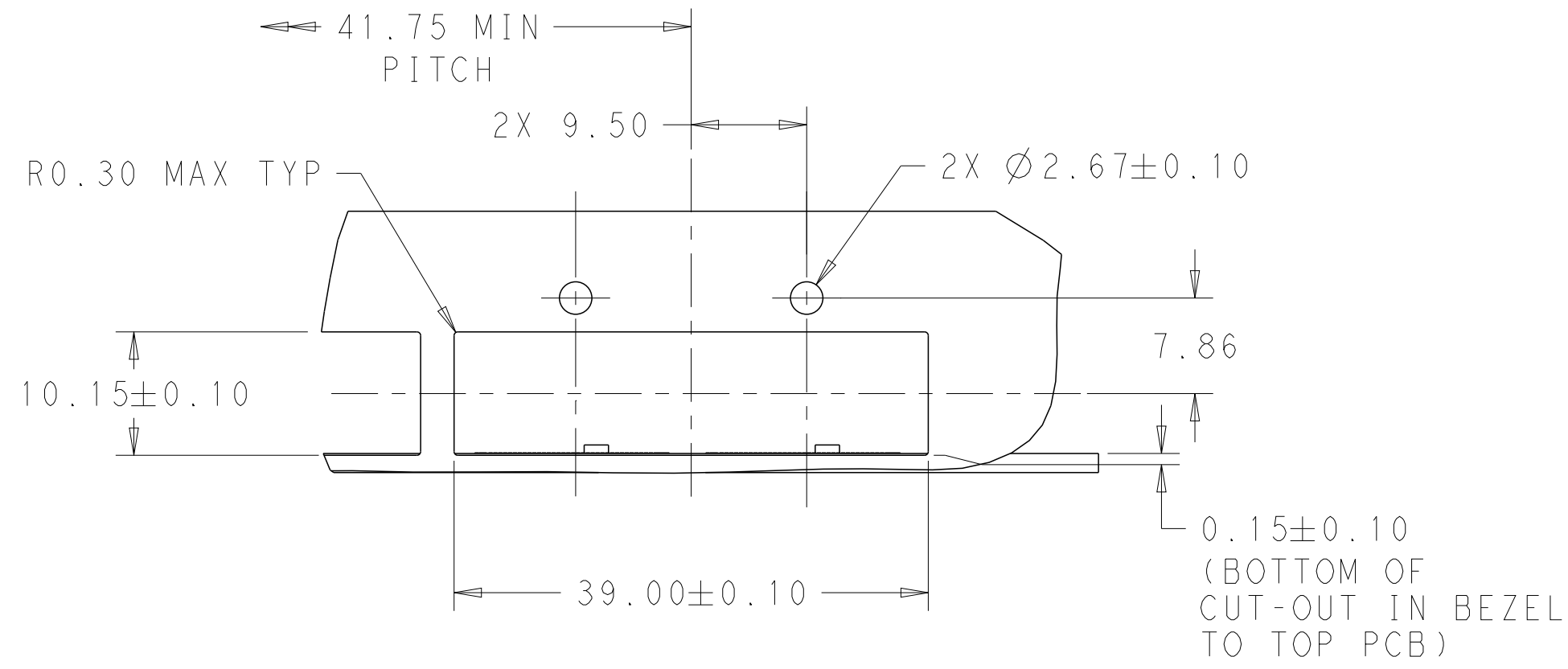
| REVISIONS |     |             |      |     |      |
|-----------|-----|-------------|------|-----|------|
| P         | LTR | DESCRIPTION | DATE | DWN | APVD |
| -         |     | SEE SHEET 1 | -    | -   | -    |
|           |     |             |      |     |      |
|           |     |             |      |     |      |

|               |                       |                           |             |                      |                          |
|---------------|-----------------------|---------------------------|-------------|----------------------|--------------------------|
| 0             | 3.4                   | 16.0                      | SAN         | COATED QUAD LP       | 5-2170808-5              |
| 0             | 2.9                   | 30.0                      | CUSTOMIZED  | QUAD LP              | 2170808-8                |
| 1             | 2.9                   | 18.4                      | CUSTOMIZED  | QUAD LP              | 4-2170808-7              |
| 0             | 2.9                   | 23.0                      | NETWORKING  | QUAD LP              | 4-2170808-6              |
| 0             | 2.9                   | 16.0                      | SAN         | QUAD LP              | 4-2170808-5              |
| 0             | 2.9                   | 13.7                      | PCI         | QUAD LP              | 4-2170808-4              |
| 1             | 2.9                   | 23.0                      | NETWORKING  | QUAD LP              | 4-2170808-3              |
| 1             | 2.9                   | 16.0                      | SAN         | QUAD LP              | 4-2170808-2              |
| 1             | 2.9                   | 13.7                      | PCI         | QUAD LP              | 4-2170808-1              |
| 1             | 4.5                   | 13.7                      | PCI         | SHORTER, QUAD LP     | 4-2170808-0 <sup>Δ</sup> |
| 0             | 2.9                   | 23.0                      | NETWORKING  | DUAL LP              | 2-2170808-6              |
| 0             | 2.9                   | 16.0                      | SAN         | DUAL LP              | 2-2170808-5              |
| 0             | 2.9                   | 13.7                      | PCI         | DUAL LP              | 2-2170808-4              |
| 1             | 2.9                   | 23.0                      | NETWORKING  | DUAL LP              | 2-2170808-3              |
| 1             | 2.9                   | 16.0                      | SAN         | DUAL LP              | 2-2170808-2              |
| 1             | 2.9                   | 13.7                      | PCI         | DUAL LP              | 2-2170808-1              |
| 0             | 2.9                   | 23.0                      | NETWORKING  | SINGLE LP            | 2170808-6                |
| 0             | 2.9                   | 16.0                      | SAN         | SINGLE LP            | 2170808-5                |
| 0             | 2.9                   | 13.7                      | PCI         | SINGLE LP            | 2170808-4                |
| 1             | 2.9                   | 23.0                      | NETWORKING  | SINGLE LP            | 2170808-3                |
| 1             | 2.9                   | 16.0                      | SAN         | SINGLE LP            | 2170808-2                |
| 1             | 2.9                   | 13.7                      | PCI         | SINGLE LP            | 2170808-1                |
| # OF REAR PIN | DIM B<br>(LP EXTRUDE) | DIM A<br>(PRODUCT HEIGHT) | APPLICATION | LIGHT PIPE<br>OPTION | PART NUMBER              |

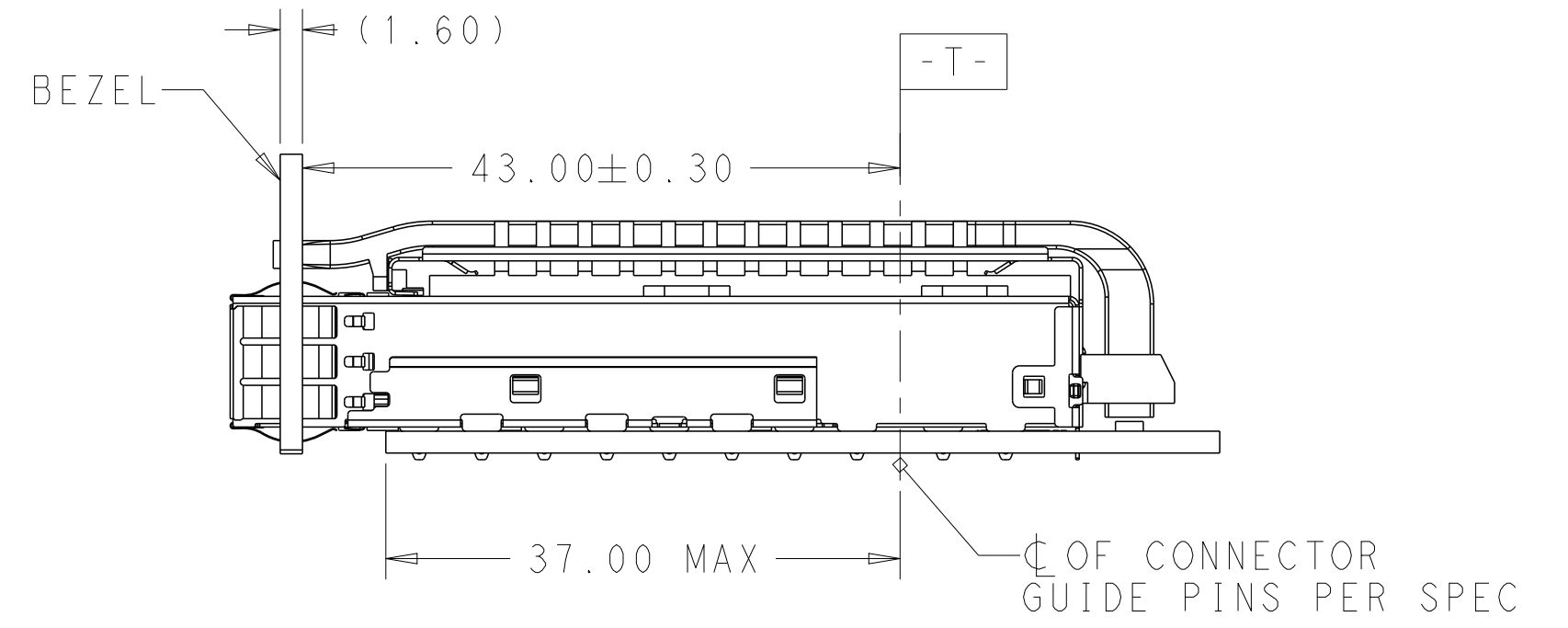
|   |  |                               |   |                         |
|---|--|-------------------------------|---|-------------------------|
| THIS DRAWING IS A CONTROLLED DOCUMENT.  |  | DWN<br>BING LIU 16SEP2014     | <b>STE</b> TE Connectivity                                      |                         |
|   |  | CHK<br>JASON YANG 16SEP2014   |   |                         |
| DIMENSIONS:<br>mm   | TOLERANCES UNLESS OTHERWISE SPECIFIED:                     | APVD<br>-                     | NAME<br>RECEPTACLE CAGE ASSEMBLY                                |                         |
|  | 0 PLC ±<br>1 PLC ±0.25<br>2 PLC ±0.2<br>3 PLC ±<br>4 PLC ± | PRODUCT SPEC<br>108-19428     | 1X2, QSFP28, THRU BEZEL, SPRING WITH HEAT SINKS AND LIGHT PIPES |                         |
| MATERIAL<br>SEE NOTES   | FINISH<br>SEE NOTES  | APPLICATION SPEC<br>114-32023 | SIZE<br>A2  | RESTRICTED TO<br>-      |
|   |  | WEIGHT<br>-                   | CAGE CODE<br>00779  | DRAWING NO<br>C-2170808 |
|   |  | CUSTOMER DRAWING              | SCALE<br>1:1  | SHEET<br>3 OF 9         |
|   |  |                               |   | REV<br>B1               |

THIS DRAWING IS UNPUBLISHED. RELEASED FOR PUBLICATION 20  
 © COPYRIGHT 20 BY - ALL RIGHTS RESERVED.

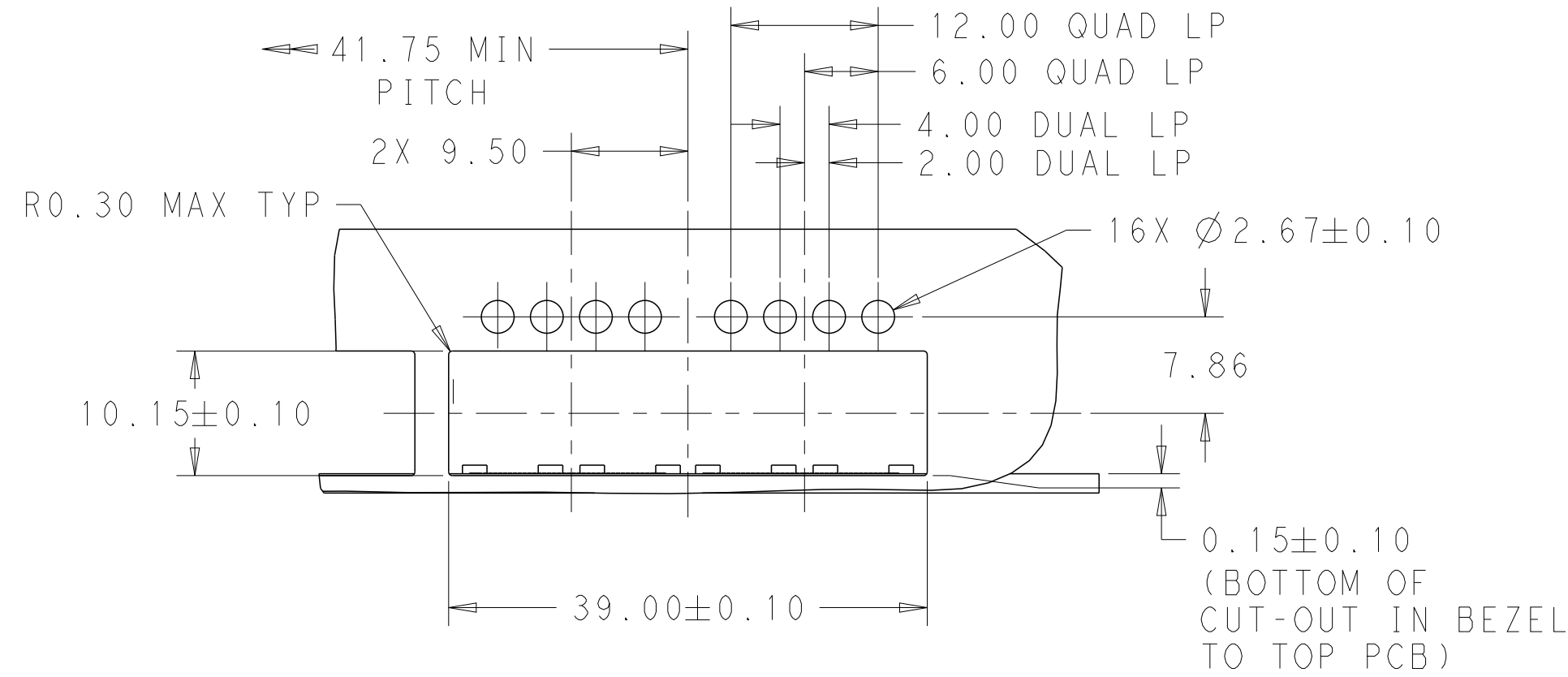
| REVISIONS |     |             |      |      |
|-----------|-----|-------------|------|------|
| P         | LTR | DESCRIPTION | DATE | APVD |
| -         | -   | SEE SHEET 1 | -    | -    |
|           |     |             |      |      |
|           |     |             |      |      |



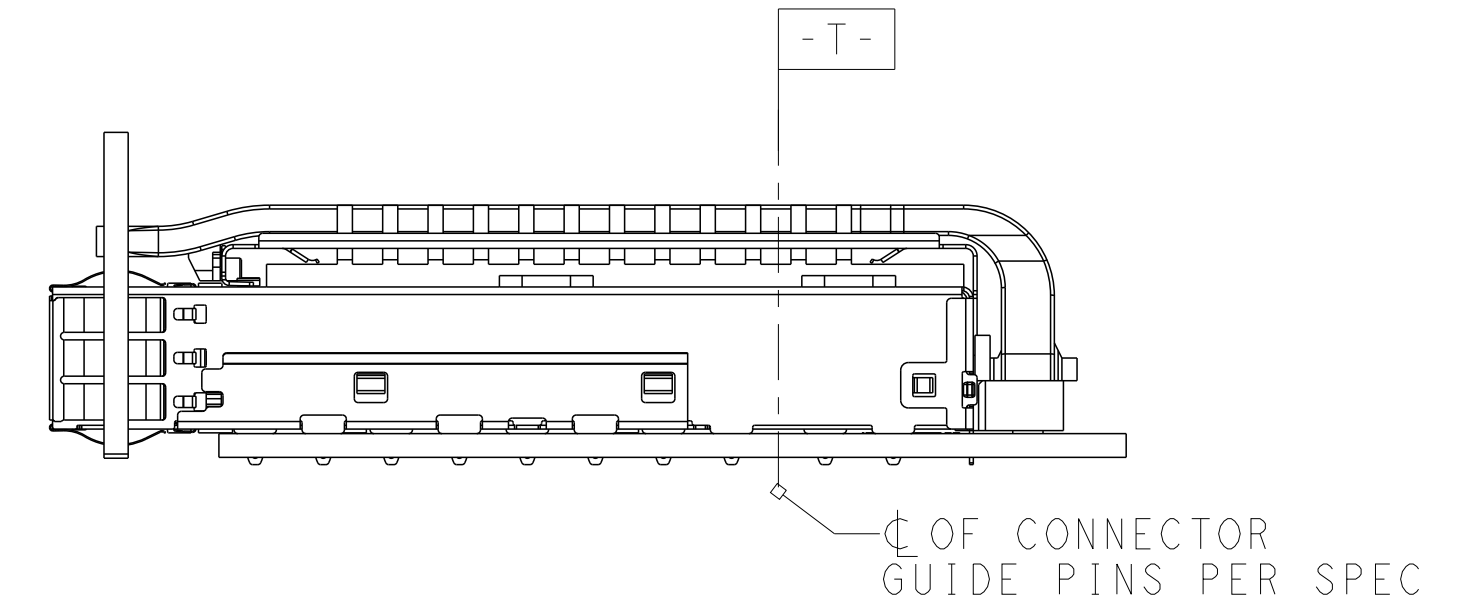
CAGE ASSEMBLY IS OMITED



SINGLE SIDE MOUNTING  
SCALE 2:1



CAGE ASSEMBLY IS OMITED

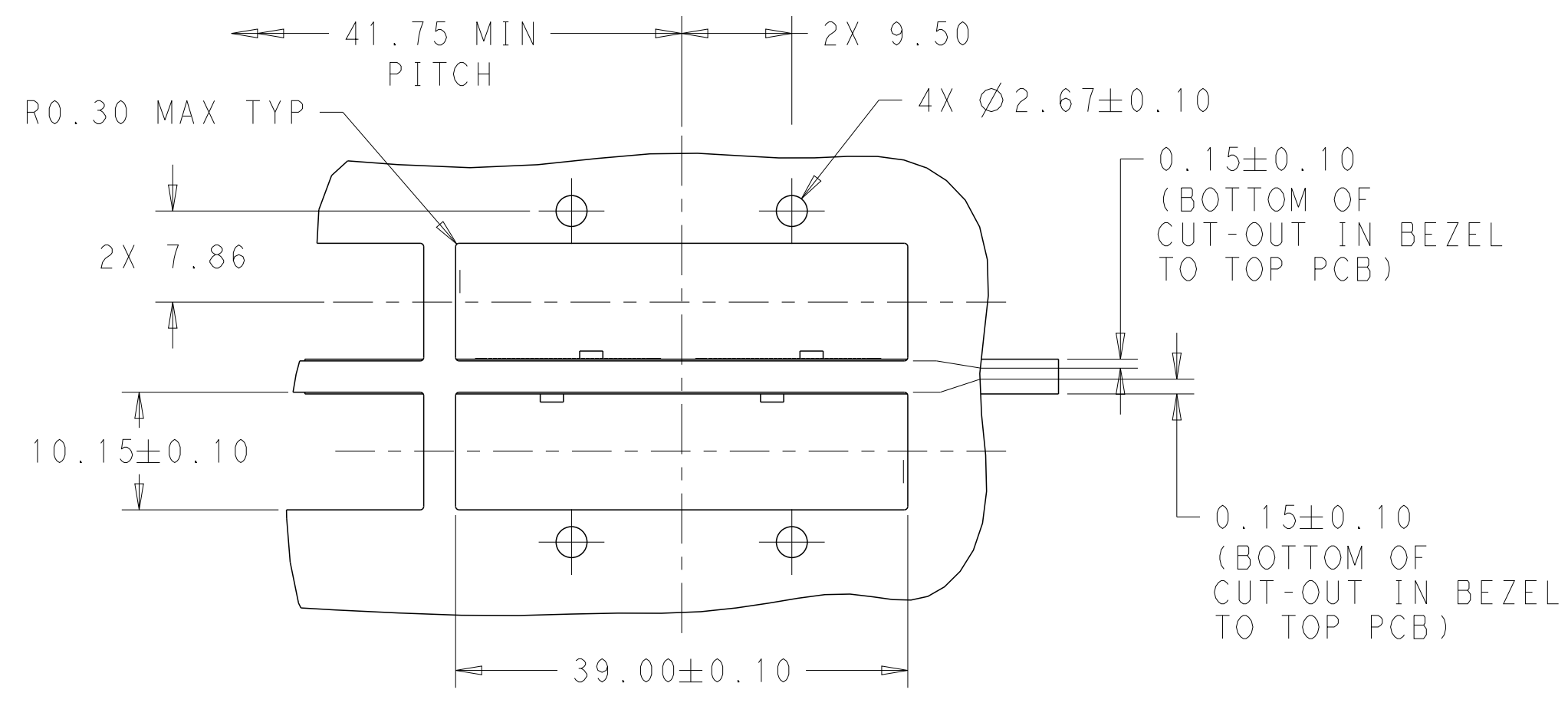


SINGLE SIDE MOUNTING  
SCALE 2:1

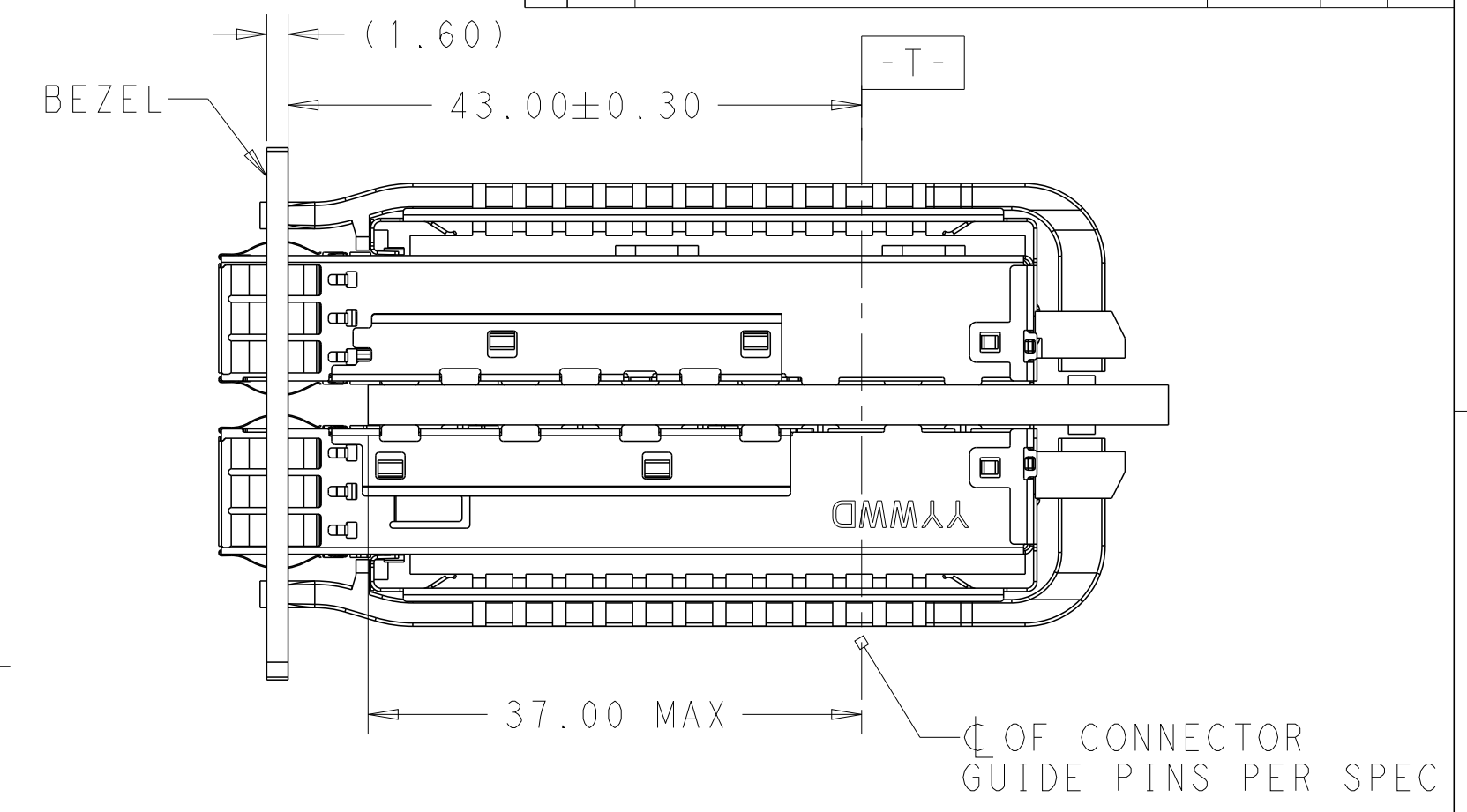
|  |   |                                |  |               |
|--|---|--------------------------------|--|---------------|
| THIS DRAWING IS A CONTROLLED DOCUMENT. |   | DWN<br>BING LIU<br>16SEP2014   | TE Connectivity  |               |
|  |   | CHK<br>JASON YANG<br>16SEP2014 |  |               |
| DIMENSIONS:                            | TOLERANCES UNLESS OTHERWISE SPECIFIED:  | APVD                           | NAME   |               |
| mm                                     | 0 PLC ±-<br>1 PLC ±0.25<br>2 PLC ±0.2<br>3 PLC ±-<br>4 PLC ±-<br>ANGLES ±-<br>FINISH ±- | -                              | RECEPTACLE CAGE ASSEMBLY<br>1X2, QSFP28, THRU BEZEL, SPRING<br>WITH HEAT SINKS AND LIGHT PIPES |               |
| MATERIAL                               | SEE NOTES   | PRODUCT SPEC                   | SIZE   | RESTRICTED TO |
| -                                      | -   | 108-19428                      | A200779  | -             |
|  |   | APPLICATION SPEC               | CAGE CODE  | DRAWING NO    |
|  |   | 114-32023                      | C-2170808  |               |
|  |   | WEIGHT                         | SCALE  | SHEET         |
|  |   | -                              | 1:1  | 4 OF 9        |
|  |   | CUSTOMER DRAWING               | REV  | B1            |

THIS DRAWING IS UNPUBLISHED. RELEASED FOR PUBLICATION 20  
 © COPYRIGHT 20 BY - ALL RIGHTS RESERVED.

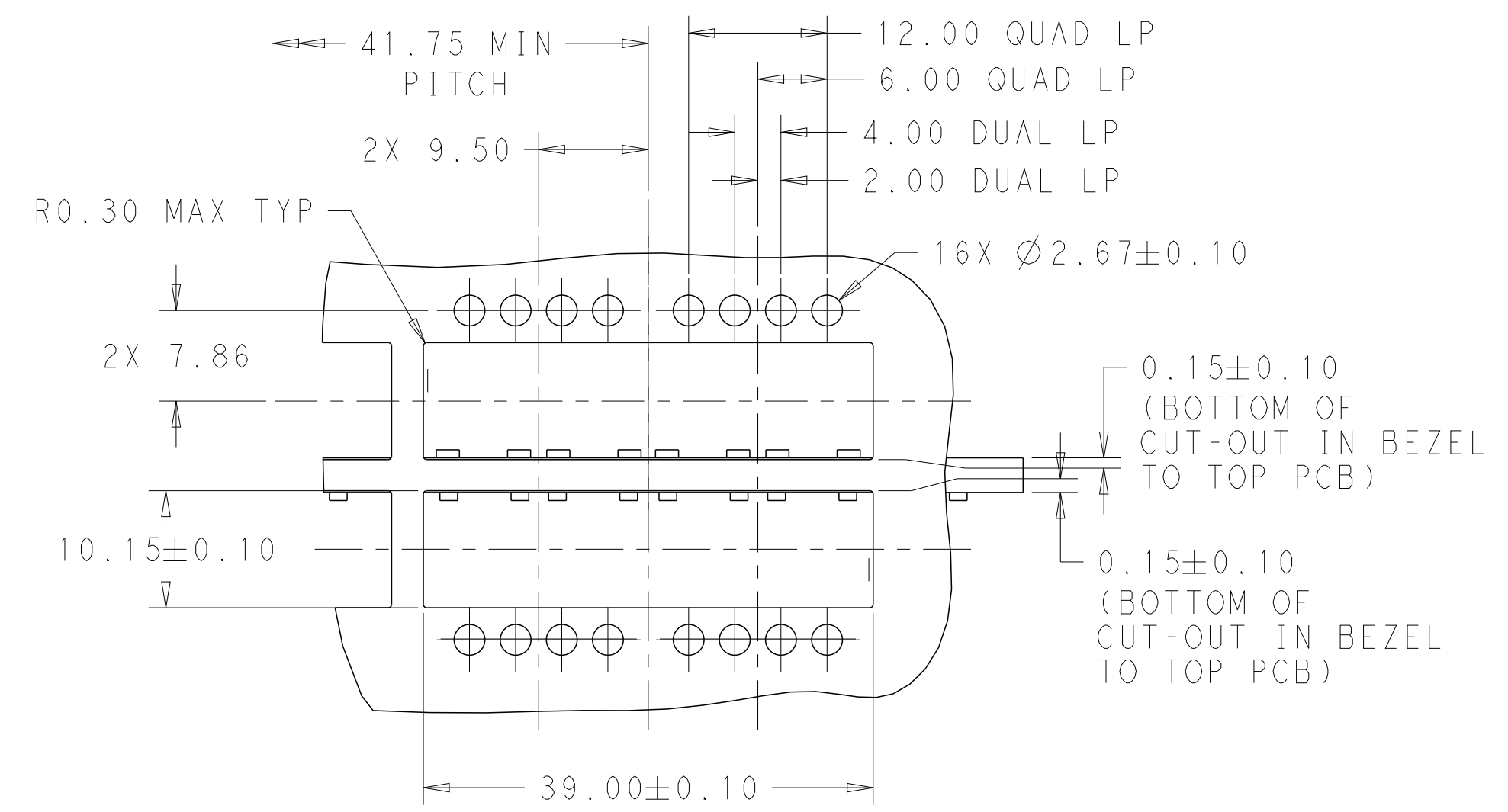
| REVISIONS |     |             |      |      |
|-----------|-----|-------------|------|------|
| P         | LTR | DESCRIPTION | DATE | APVD |
| -         | -   | SEE SHEET 1 | -    | -    |
|           |     |             |      |      |
|           |     |             |      |      |



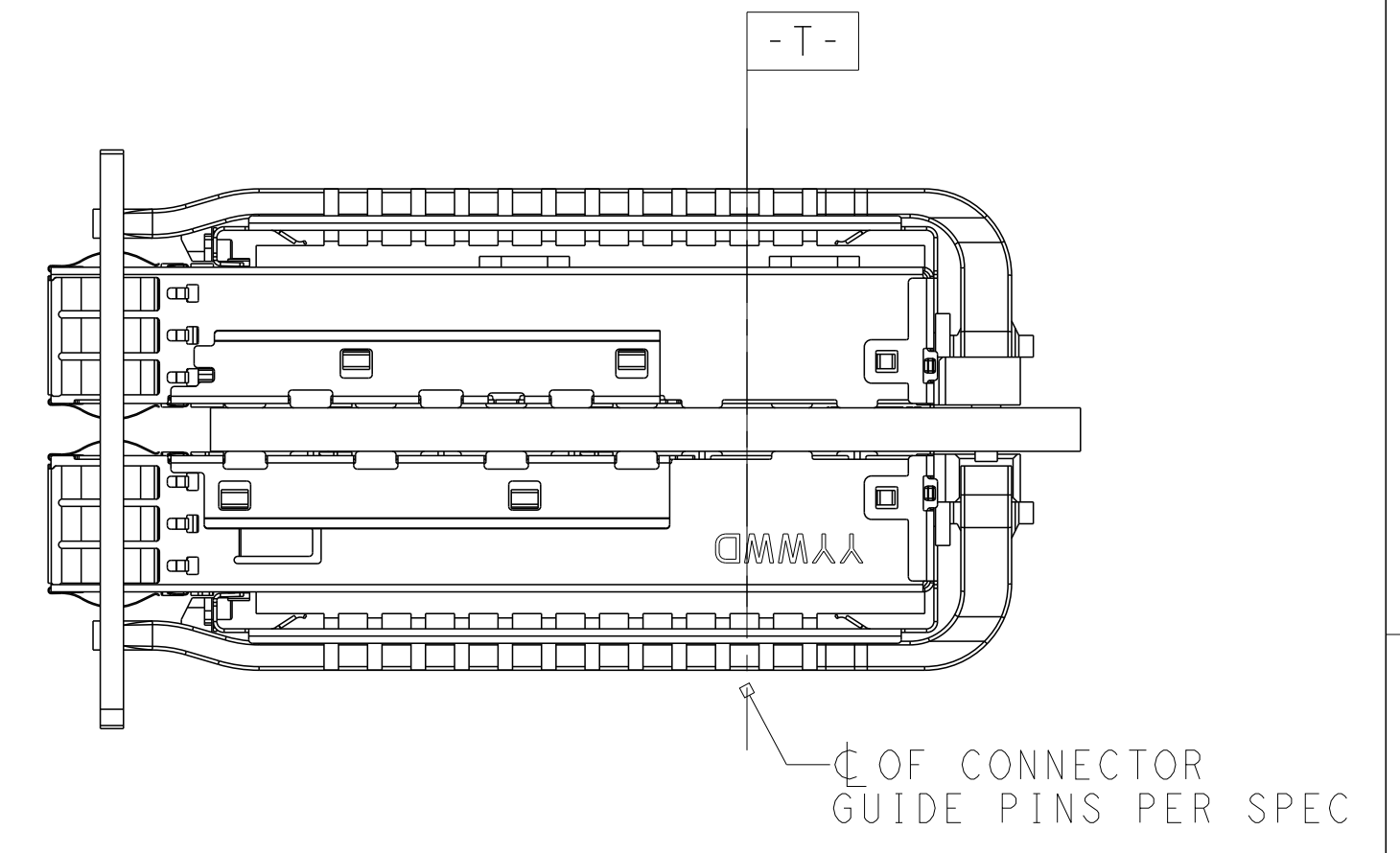
CAGE ASSEMBLY IS OMITED



BELLY TO BELLY MOUNTING  
SCALE 2:1



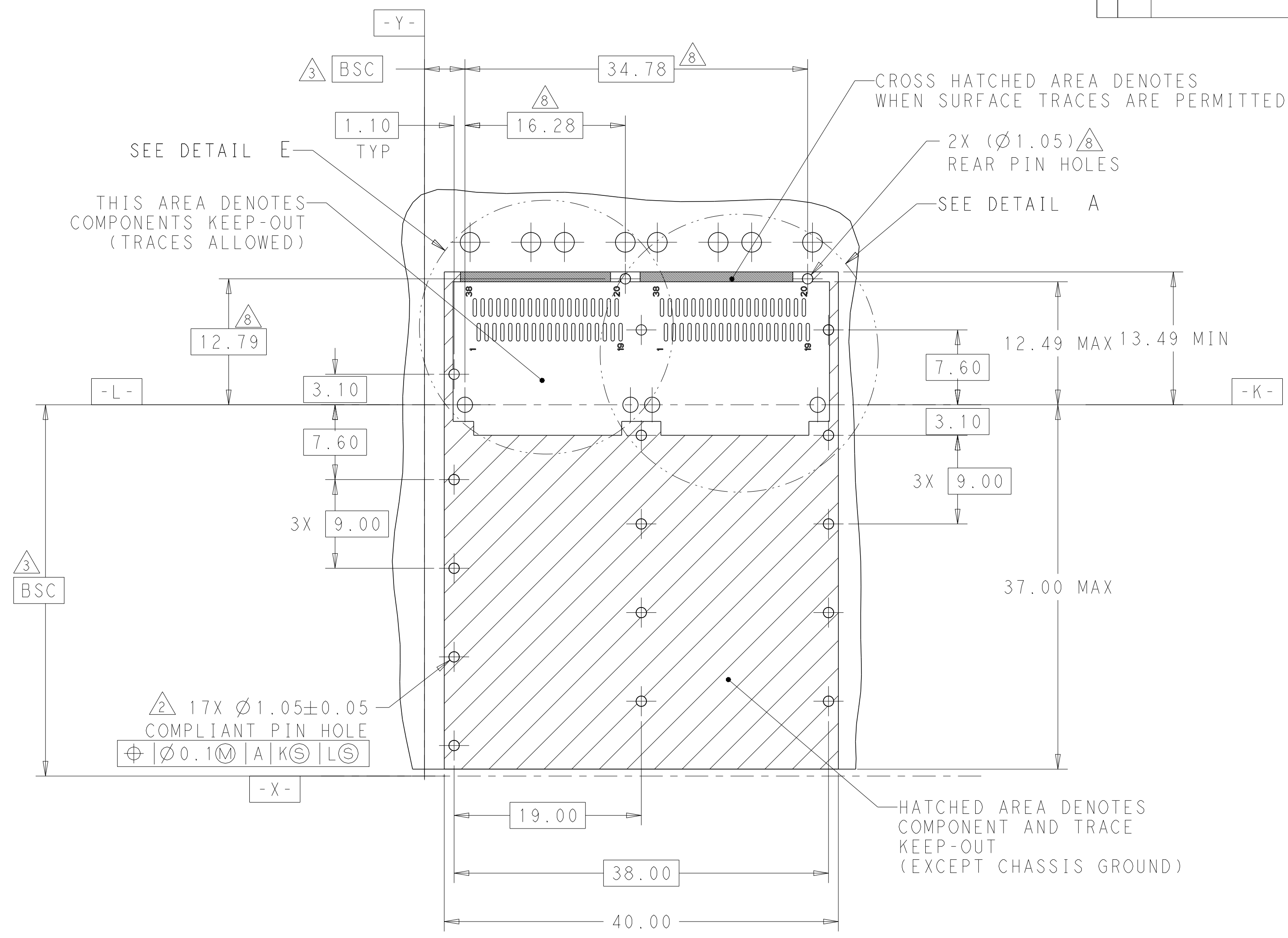
CAGE ASSEMBLY IS OMITED



BELLY TO BELLY MOUNTING  
SCALE 2:1

|  |  |                                |                 |  |
|--|--|--------------------------------|-----------------|--|
| THIS DRAWING IS A CONTROLLED DOCUMENT. |  | DWN<br>BING LIU<br>16SEP2014   | TE Connectivity |  |
|  |  | CHK<br>JASON YANG<br>16SEP2014 |                 |  |
| DIMENSIONS:                            | TOLERANCES UNLESS OTHERWISE SPECIFIED:                     | APVD                           | NAME            | RECEPTACLE CAGE ASSEMBLY<br>1X2, QSFP28, THRU BEZEL, SPRING<br>WITH HEAT SINKS AND LIGHT PIPES |
| mm                                     | 0 PLC ±<br>1 PLC ±0.25<br>2 PLC ±0.2<br>3 PLC ±<br>4 PLC ± | PRODUCT SPEC                   | 108-19428       |  |
|  | ANGLES ±   | APPLICATION SPEC               | 114-32023       | SIZE   |
| MATERIAL                               | FINISH   | WEIGHT                         | A200779         | CAGE CODE  |
| SEE NOTES                              | SEE NOTES  | CUSTOMER DRAWING               | C-2170808       | DRAWING NO   |
|  |  |                                | SCALE 1:1       | SHEET 5 OF 9   |
|  |  |                                |                 | REV B1   |

| REVISIONS |     |             |      |      |
|-----------|-----|-------------|------|------|
| P         | LTR | DESCRIPTION | DATE | APVD |
| -         | -   | SEE SHEET 1 | -    | -    |
|           |     |             |      |      |
|           |     |             |      |      |

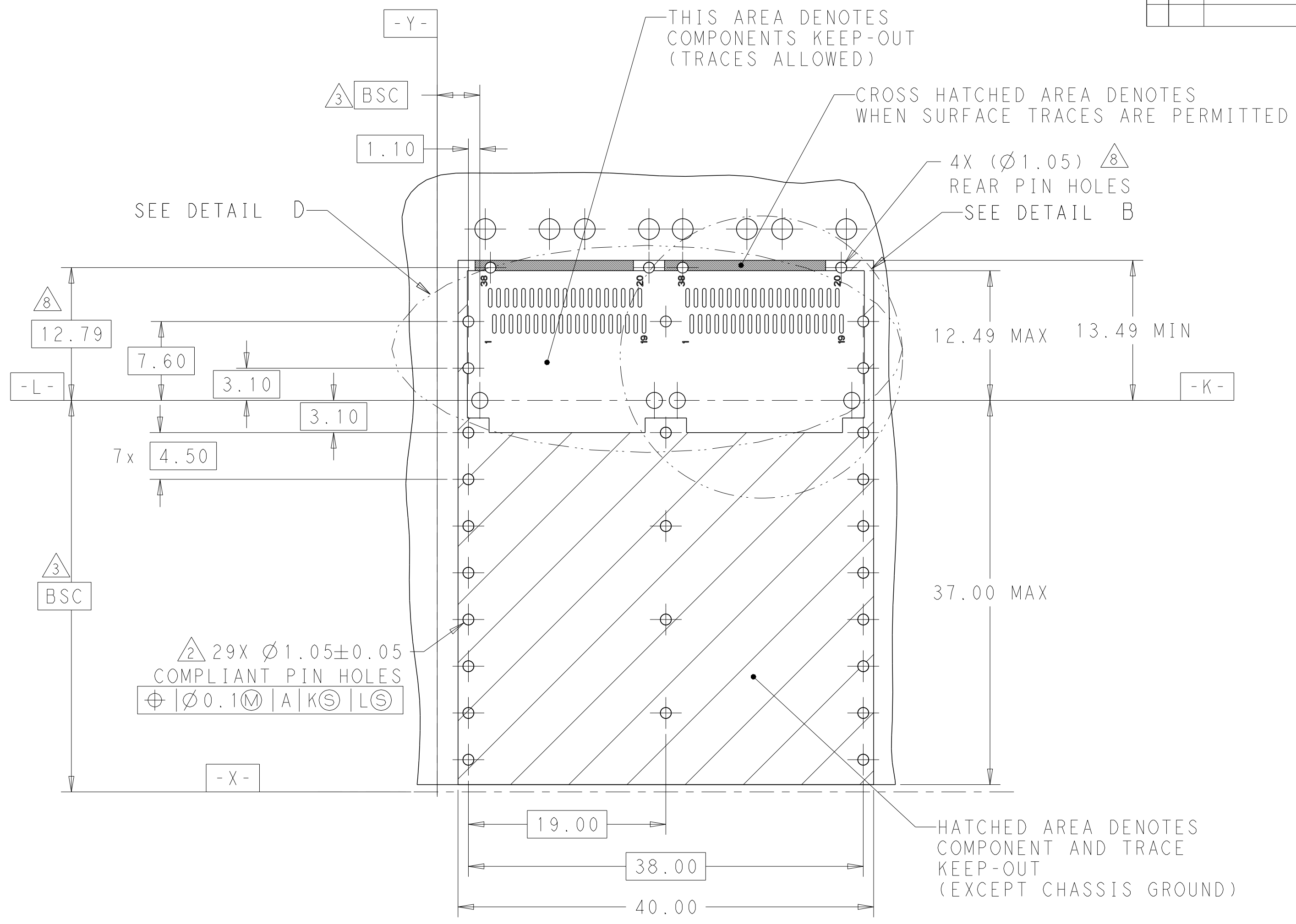


17X Ø1.05±0.05  
 COMPLIANT PIN HOLE  
 Ø0.1M | A | K | L

RECOMMENDED PCB LAYOUT  
 SINGLE TYPE  
 PCB TOLERANCE: ±0.05  
 SCALE 3:1

|  |  |                                |                 |  |
|--|--|--------------------------------|-----------------|--|
| THIS DRAWING IS A CONTROLLED DOCUMENT.   |  | DWN<br>BING LIU<br>16SEP2014   | TE Connectivity |  |
|  |  | CHK<br>JASON YANG<br>16SEP2014 |                 |  |
| DIMENSIONS:<br>mm  |  | APVD<br>-                      |                 | NAME<br>RECEPTACLE CAGE ASSEMBLY<br>1X2, QSFP28, THRU BEZEL, SPRING<br>WITH HEAT SINKS AND LIGHT PIPES |
| TOLERANCES UNLESS OTHERWISE SPECIFIED:<br>0 PLC ±<br>1 PLC ±0.25<br>2 PLC ±0.2<br>3 PLC ±<br>4 PLC ±<br>ANGLES ±<br>FINISH |  | PRODUCT SPEC<br>108-19428      |                 | SIZE<br>A200779  |
| MATERIAL<br>SEE NOTES  |  | APPLICATION SPEC<br>114-32023  |                 | DRAWING NO<br>C-2170808  |
|  |  | WEIGHT<br>-                    |                 | RESTRICTED TO<br>-   |
|  |  | CUSTOMER DRAWING               |                 | SCALE 1:1 SHEET 6 OF 9 REV B1  |

| REVISIONS |     |             |      |      |
|-----------|-----|-------------|------|------|
| P         | LTR | DESCRIPTION | DATE | APVD |
| -         | -   | SEE SHEET 1 | -    | -    |
|           |     |             |      |      |
|           |     |             |      |      |

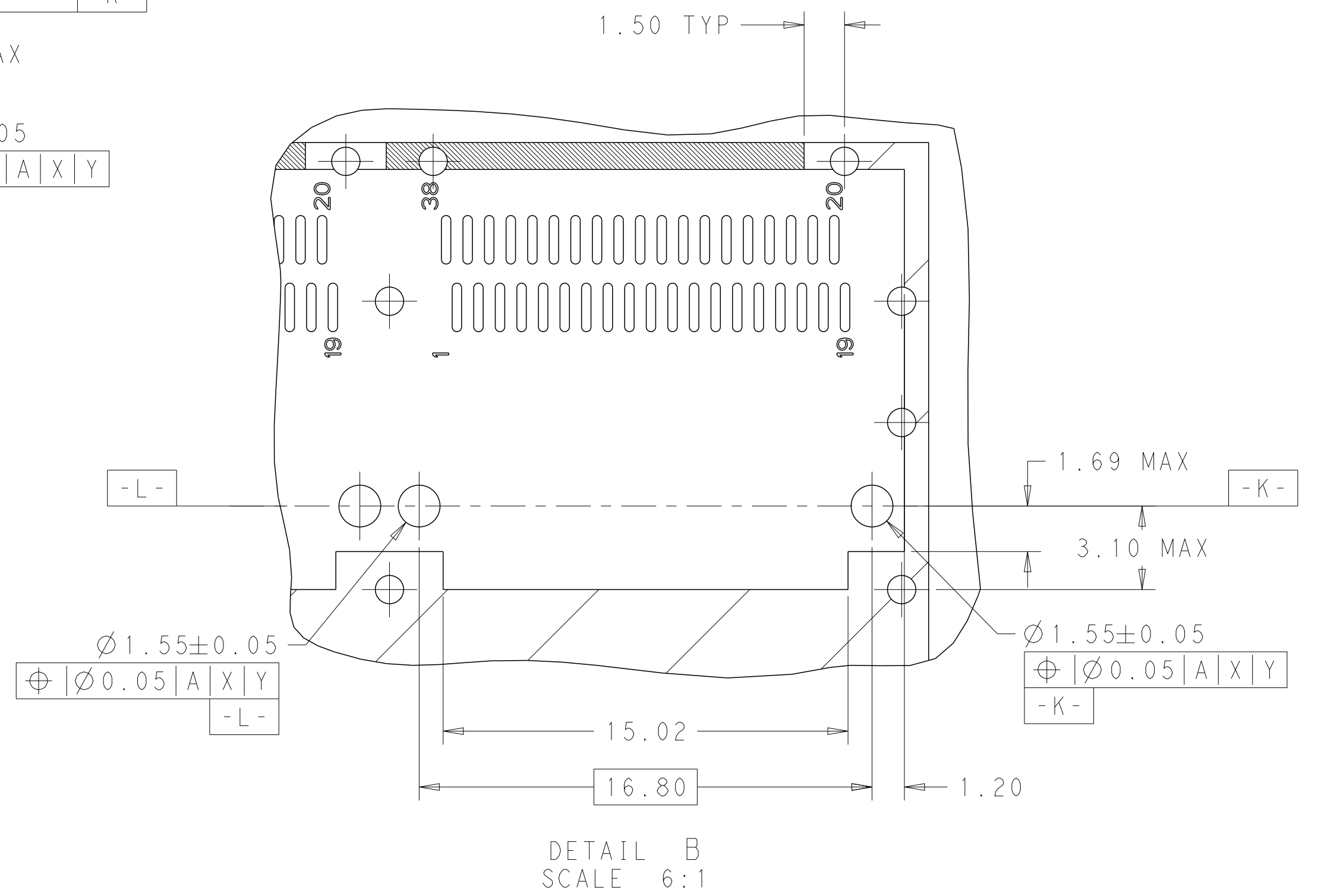
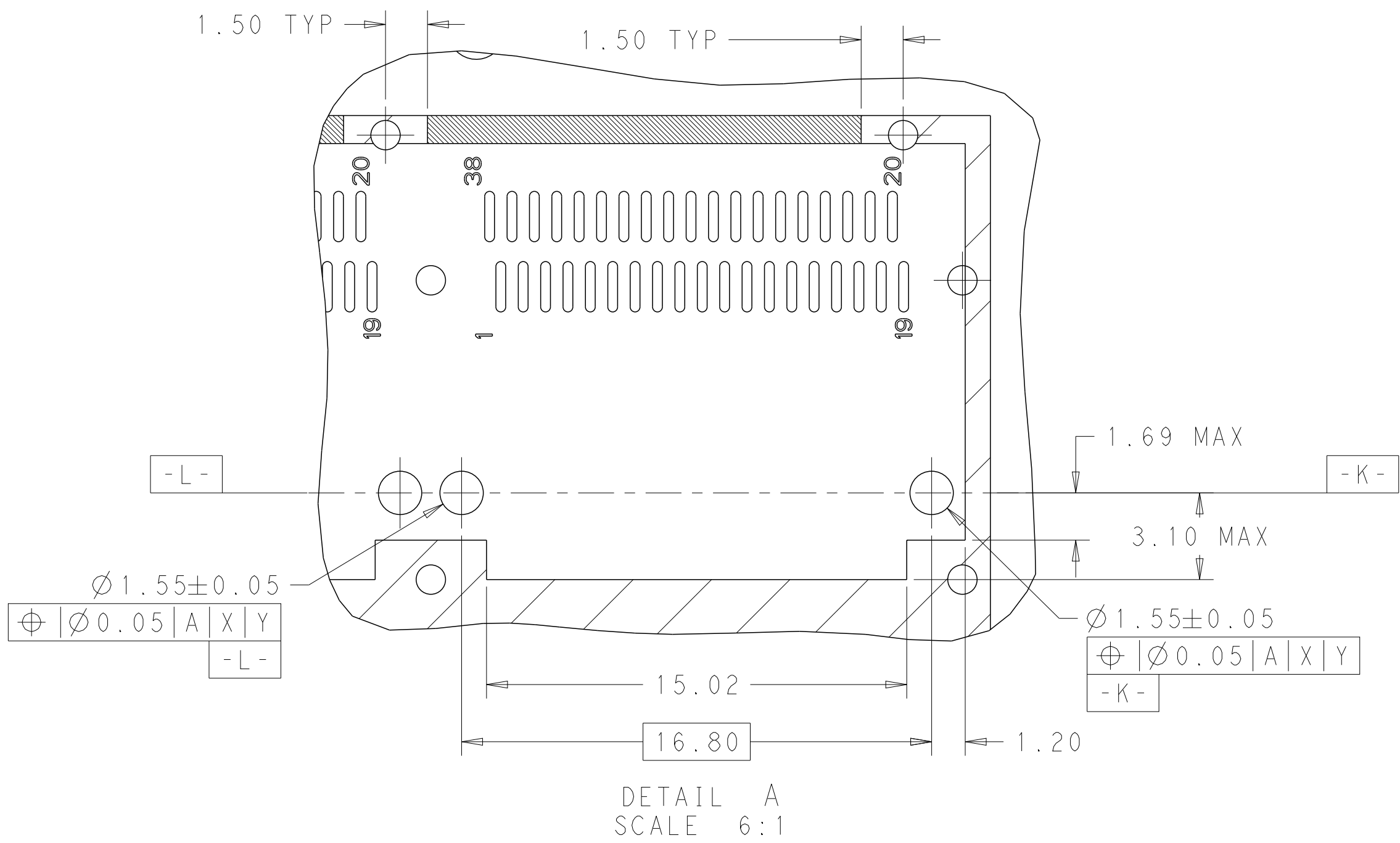


RECOMMENDED PCB LAYOUT  
 BELLY TO BELLY TYPE  
 PCB TOLERANCE: ±0.05  
 SCALE 3:1

|  |  |  |                 |  |
|--|--|--|-----------------|--|
| THIS DRAWING IS A CONTROLLED DOCUMENT. |  | DWN<br>BING LIU<br>16SEP2014   | TE Connectivity |  |
|  |  | CHK<br>JASON YANG<br>16SEP2014   |                 |  |
| DIMENSIONS:<br>mm                      |  | TOLERANCES UNLESS OTHERWISE SPECIFIED:<br>0 PLC ±<br>1 PLC ±0.25<br>2 PLC ±0.2<br>3 PLC ±<br>4 PLC ±<br>ANGLES ±<br>FINISH ± |                 | NAME<br>RECEPTACLE CAGE ASSEMBLY<br>1X2, QSFP28, THRU BEZEL, SPRING<br>WITH HEAT SINKS AND LIGHT PIPES |
| MATERIAL<br>SEE NOTES                  |  | APVD<br>-<br>PRODUCT SPEC<br>108-19428<br>APPLICATION SPEC<br>114-32023<br>WEIGHT<br>-                                       |                 | SIZE<br>A200779  |
|  |  | CUSTOMER DRAWING   |                 | DRAWING NO<br>C-2170808<br>RESTRICTED TO<br>-  |
|  |  | SCALE 1:1  |                 | SHEET 7 OF 9<br>REV B1   |

THIS DRAWING IS UNPUBLISHED. RELEASED FOR PUBLICATION 20  
 © COPYRIGHT 20 BY - ALL RIGHTS RESERVED.

| REVISIONS |     |             |      |      |
|-----------|-----|-------------|------|------|
| P         | LTR | DESCRIPTION | DATE | APVD |
| -         | -   | SEE SHEET 1 | -    | -    |
|           |     |             |      |      |
|           |     |             |      |      |

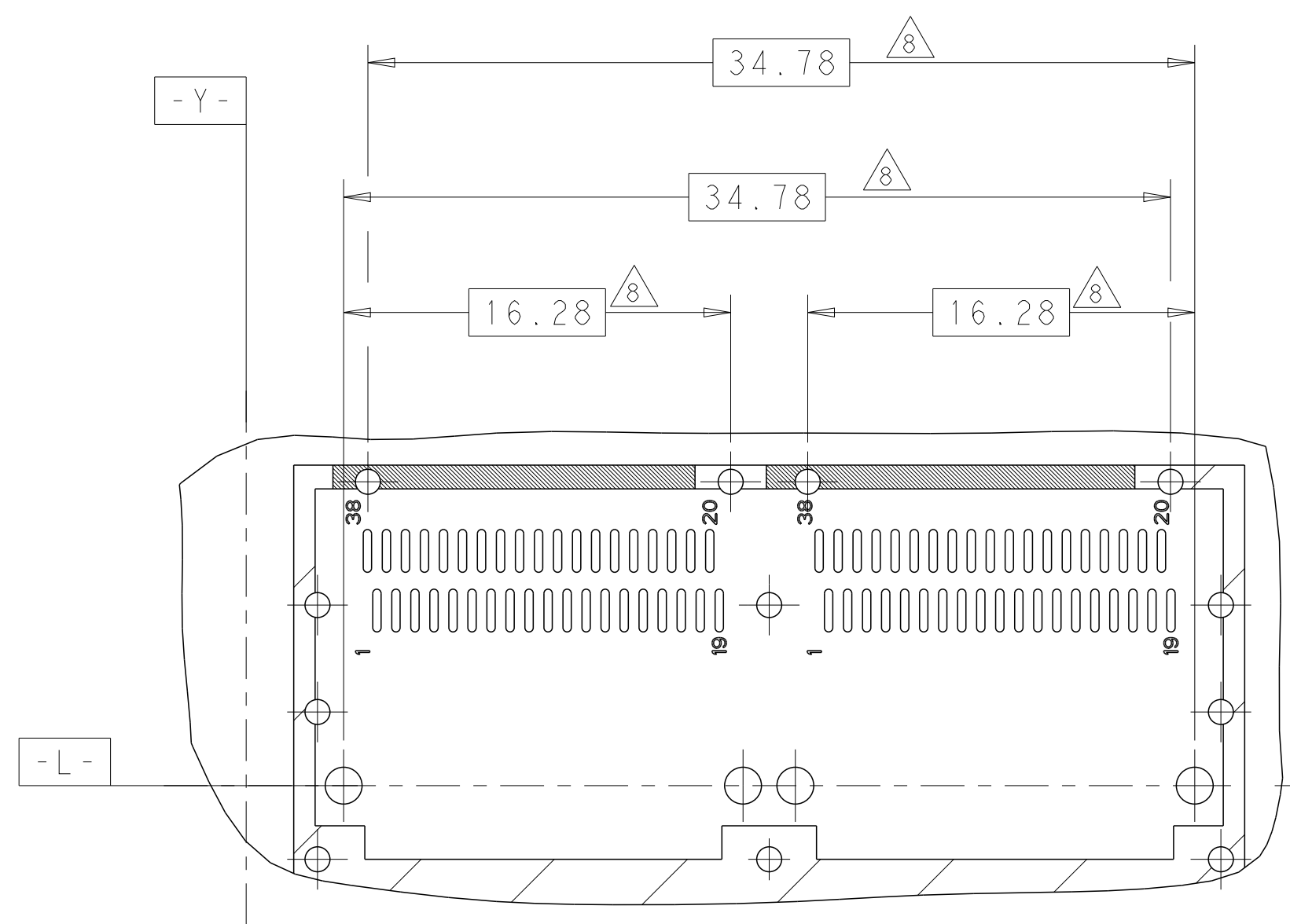


|  |  |                                |  |                    |
|--|--|--------------------------------|--|--------------------|
| THIS DRAWING IS A CONTROLLED DOCUMENT. |  | DWN<br>BING LIU<br>16SEP2014   | <b>STE</b> TE Connectivity   |                    |
|  |  | CHK<br>JASON YANG<br>16SEP2014 |  |                    |
| DIMENSIONS:<br>mm                      | TOLERANCES UNLESS OTHERWISE SPECIFIED:<br>0 PLC ±<br>1 PLC ±0.25<br>2 PLC ±0.2<br>3 PLC ±<br>4 PLC ±<br>ANGLES ±<br>FINISH | APVD<br>-                      | NAME<br>RECEPTACLE CAGE ASSEMBLY<br>1X2, QSFP28, THRU BEZEL, SPRING<br>WITH HEAT SINKS AND LIGHT PIPES |                    |
| MATERIAL<br>SEE NOTES                  | SEE NOTES  | PRODUCT SPEC<br>108-19428      | SIZE<br>A2   | CAGE CODE<br>00779 |
|  |  | APPLICATION SPEC<br>114-32023  | DRAWING NO<br>C-2170808  | RESTRICTED TO<br>- |
|  |  | WEIGHT<br>-                    | SCALE<br>1:1   | SHEET<br>8 OF 9    |
|  |  | CUSTOMER DRAWING               | REV<br>B1  |                    |

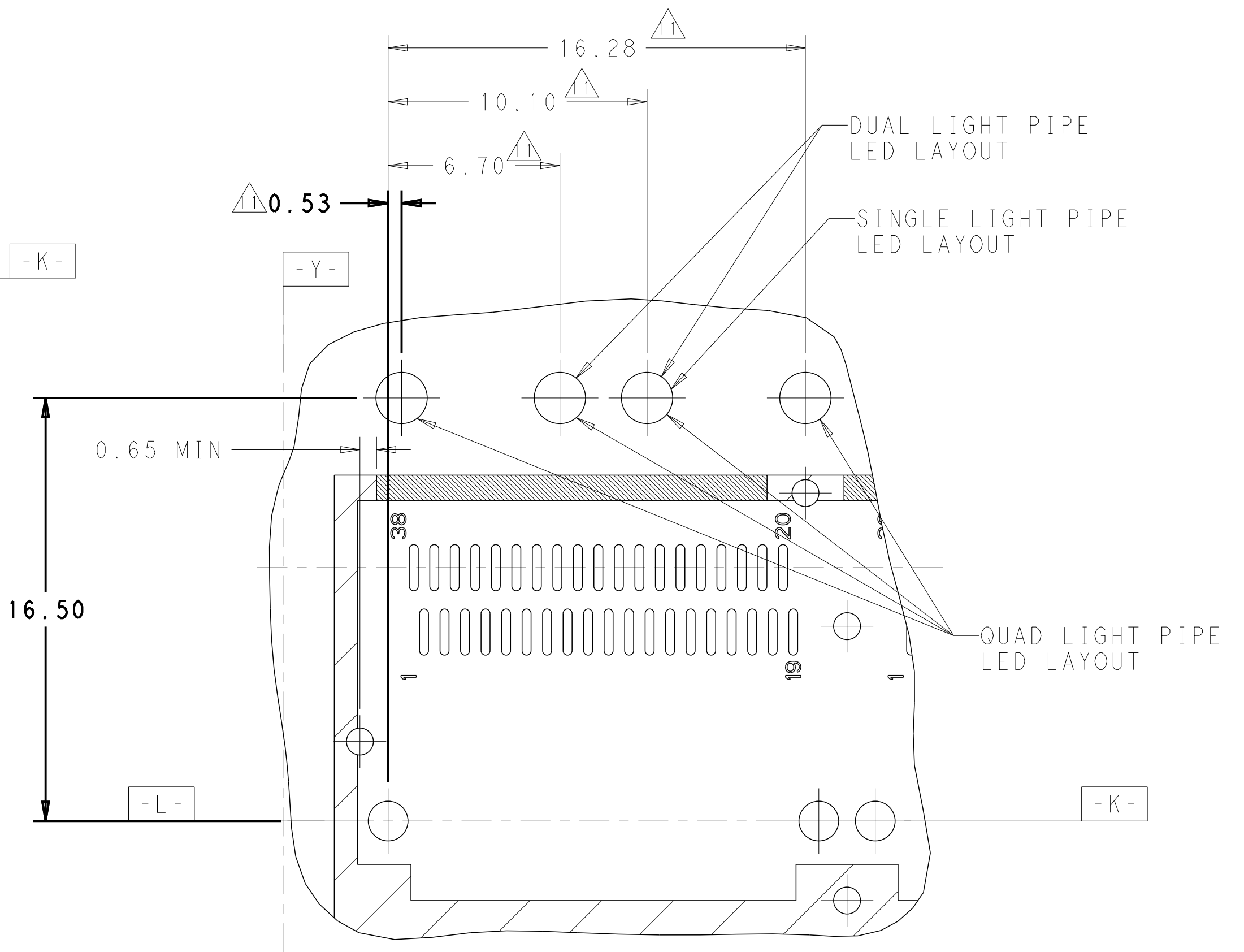


THIS DRAWING IS UNPUBLISHED. RELEASED FOR PUBLICATION 20  
 © COPYRIGHT 20 BY - ALL RIGHTS RESERVED.

| REVISIONS |     |             |      |      |
|-----------|-----|-------------|------|------|
| P         | LTR | DESCRIPTION | DATE | APVD |
| -         | -   | SEE SHEET 1 | -    | -    |
|           |     |             |      |      |
|           |     |             |      |      |



DETAIL D  
SCALE 4:1



DETAIL E  
SCALE 6:1

|  |  |                                |  |
|--|--|--------------------------------|--|
| THIS DRAWING IS A CONTROLLED DOCUMENT. |  | DWN<br>BING LIU<br>16SEP2014   | <b>STE</b> TE Connectivity   |
|  |  | CHK<br>JASON YANG<br>16SEP2014 |  |
| DIMENSIONS:<br>mm                      | TOLERANCES UNLESS OTHERWISE SPECIFIED: | APVD<br>-                      | NAME<br>RECEPTACLE CAGE ASSEMBLY<br>1X2, QSFP28, THRU BEZEL, SPRING<br>WITH HEAT SINKS AND LIGHT PIPES |
| 0 PLC ±                                | 1 PLC ±0.25                            | PRODUCT SPEC<br>108-19428      | SIZE<br>A200779  |
| 2 PLC ±0.2                             | 3 PLC ±                                | APPLICATION SPEC<br>114-32023  | CAGE CODE<br>C-2170808   |
| 4 PLC ±                                | ANGLES ±                               | WEIGHT<br>-                    | DRAWING NO<br>-  |
| MATERIAL<br>SEE NOTES                  | FINISH<br>SEE NOTES                    | CUSTOMER DRAWING               | RESTRICTED TO<br>-   |
|  |  | SCALE 1:1                      | SHEET 9 OF 9   |
|  |  | REV B1                         |  |

## X-ON Electronics

Largest Supplier of Electrical and Electronic Components

*Click to view similar products for [I/O Connectors](#) category:*

*Click to view products by [TE Connectivity](#) manufacturer:*

Other Similar products are found below :

[571763P](#) [D20419-211](#) [72.250.1628.2](#) [72.250.2428.2](#) [74720-0505](#) [76.350.0729.0](#) [76871-1403](#) [FCN-244F080-G/1](#) [FCN-260A9920](#) [MP-5T180MUNNA-005](#) [PCR-E36PM](#) [PCS-XE26MA+](#) [G38A71314B](#) [1571250010](#) [157-22500-3](#) [MS3471L14-19P L/C](#) [172501-4002](#) [172501-6002](#) [FCN-260C008-A/L0](#) [FCN-260C024-AL0](#) [FCN-261Z008](#) [2000314-1](#) [200331-1](#) [PCR-E36FC+](#) [PCS-E28FS+](#) [PCS-XE26SLFD+](#) [PCS-XE26SLFDT+](#) [G730VID08BDC24](#) [HDMR-29-01-S-SM-TR](#) [U90B2054081210](#) [UE86K842720321](#) [38113800006](#) [DP3AR020WQ1R200](#) [Z4.102.0680.0](#) [500-1040](#) [500-1052](#) [500-1054](#) [ZP-4008-66L](#) [0709821002](#) [5554841-1](#) [U90B3054061110](#) [U65-E04-4020](#) [ZPF00000000097891](#) [557-262M2-06C](#) [747360449](#) [10099439-003C-TRLF](#) [10137239-0021LF](#) [E9320-001-01](#) [10137239-0011LF](#) [70289-001LF](#)