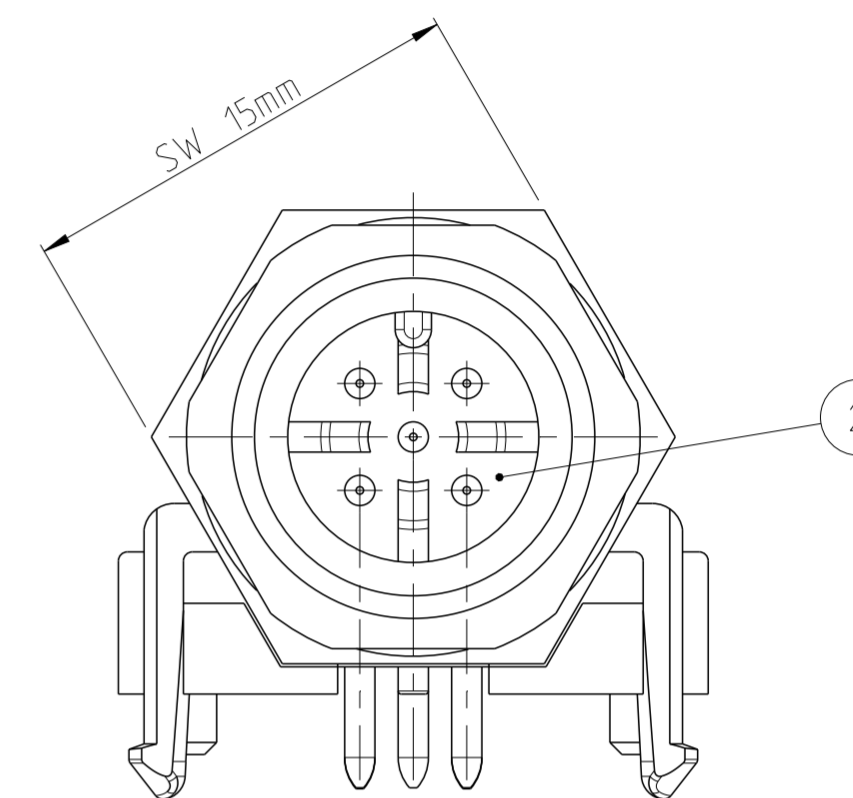
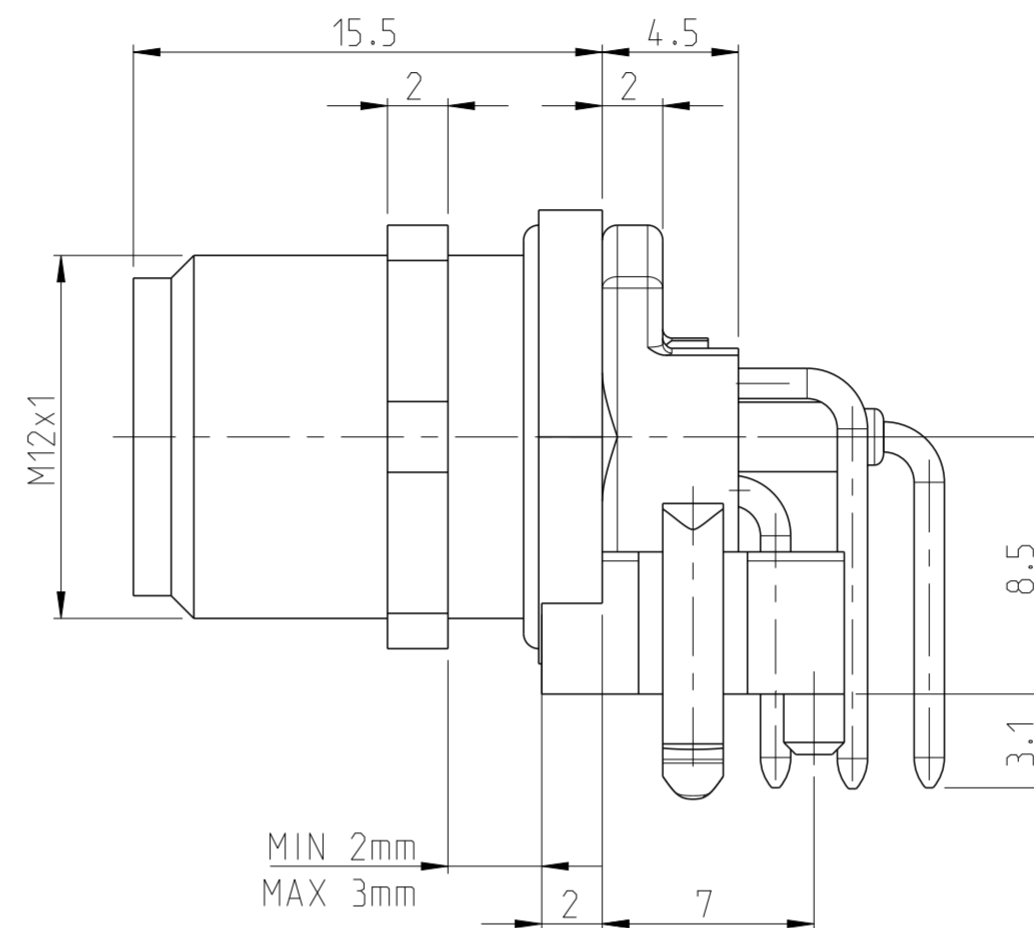
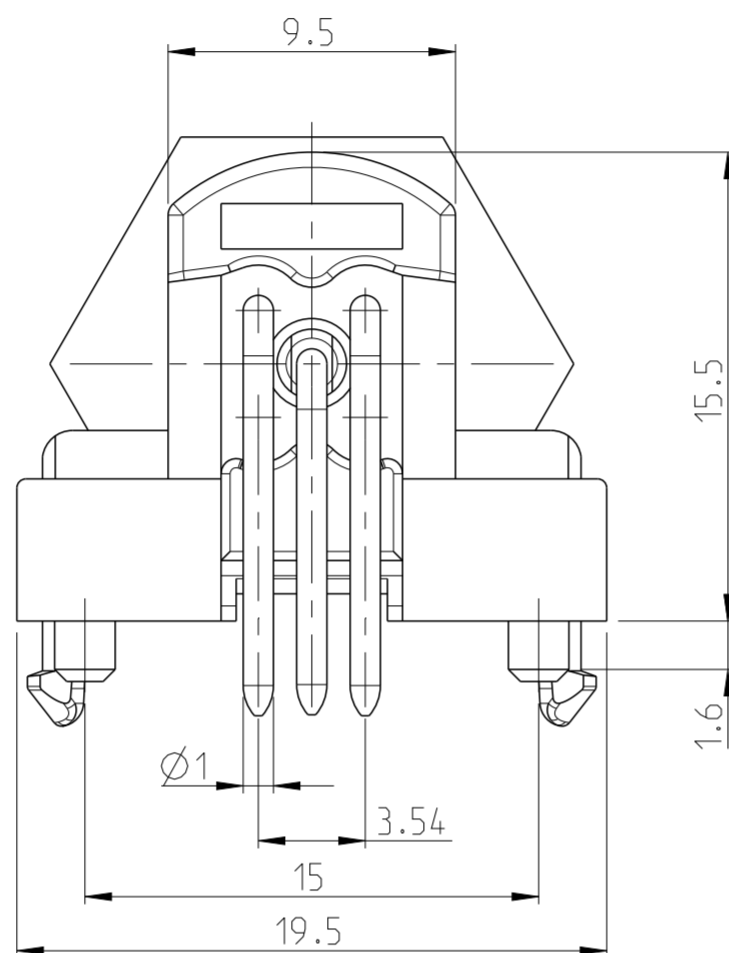


REVISIONS		DESCRIPTION ÄNDERUNGEN BESCHREIBUNG	DATE	DWN	APVD
P	LTR				
	A	NEW RELEASE	01DEC2014	CR	JK
	A1	NUT SHELL AND 5P HOUSING PN INTRODUCED	23SEP2015	TJ	NG
	A2	PCB LAYOUT CORRECTED FOR PN 5-2172081-2	11MAY2016	TJ	NG
	A3	SEAL QTY, MATERIAL DETAILS ADDED IN NOTES	10JAN2018	TJ	NG

1 MATERIAL: ITEM NO. 1: NUT SHELL - CuZn (BRASS, NICKEL PLATED)
 ITEM NO. 2: HOUSING - PA
 ITEM NO. 3: CONTACT - CuZn (BRASS)
 ITEM NO. 4: SEAL LARGE - NBR (QTY-1)
 CONTACT FINISH - Au (GOLD)

2 ALL DIMENSIONS ARE FOR NOMINAL REFERENCE ONLY UNLESS OTHERWISE STATED

TECHNICAL DATA	3-2172081-2	4-2172081-2	5-2172081-2
RATED VOLTAGE	250V	125V	60V
RATED IMPULSE VOLTAGE	2500V	1500V	800V
POLLUTION DEGREE	3	3	3
OVERVOLTAGE CATEGORY	II	II	II
MATERIAL GROUP	III	III	III
RATED CURRENT	4A	4A	2A
VOLUME RESISTIVITY	≤ 3mΩ	≤ 3mΩ	≤ 3mΩ
DEGREE OF PROTECTION	IP68	IP68	IP68
UPPER TEMPERATURE	+85°C	+85°C	+85°C
LOWER TEMPERATURE	-40°C	+40°C	+40°C



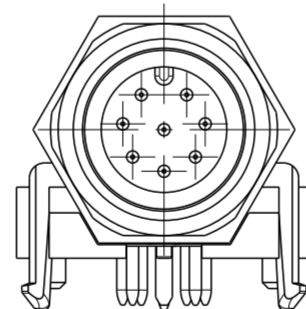
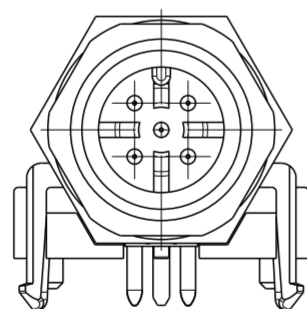
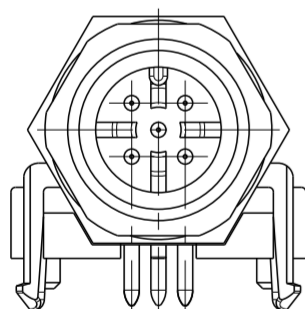
ALSO SOLD SEPARATELY

PIN ARRANGEMENT
 A-CODING (SCALE 2:1)

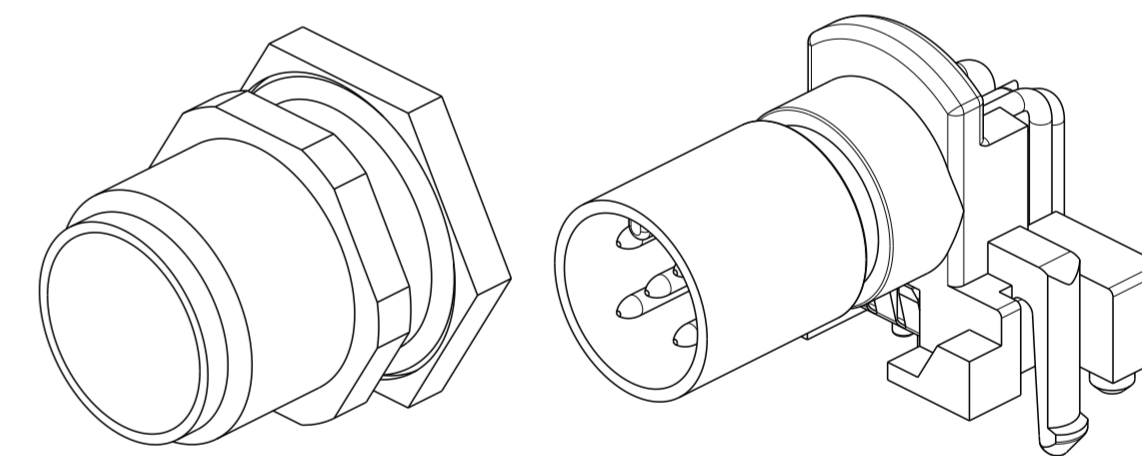
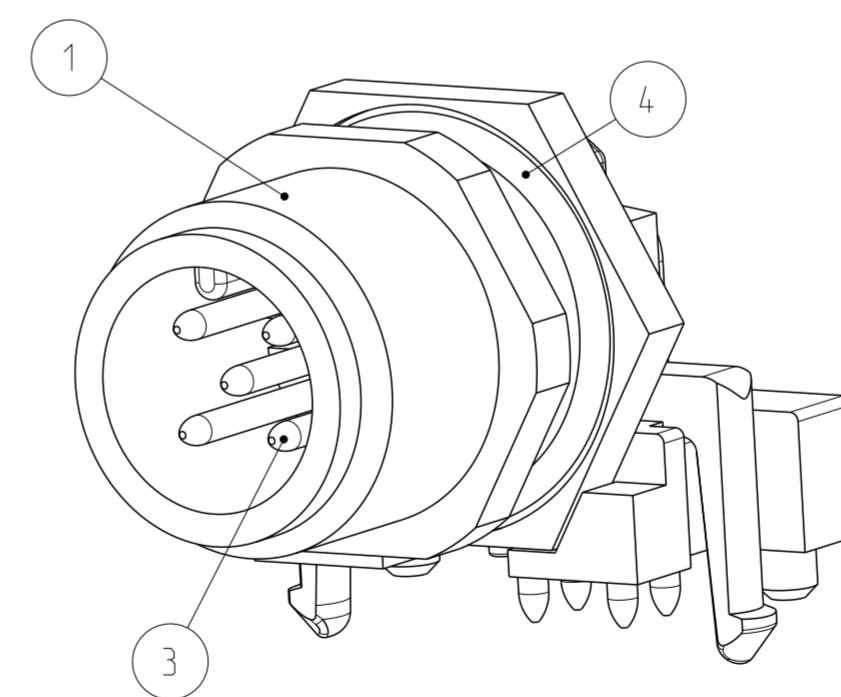
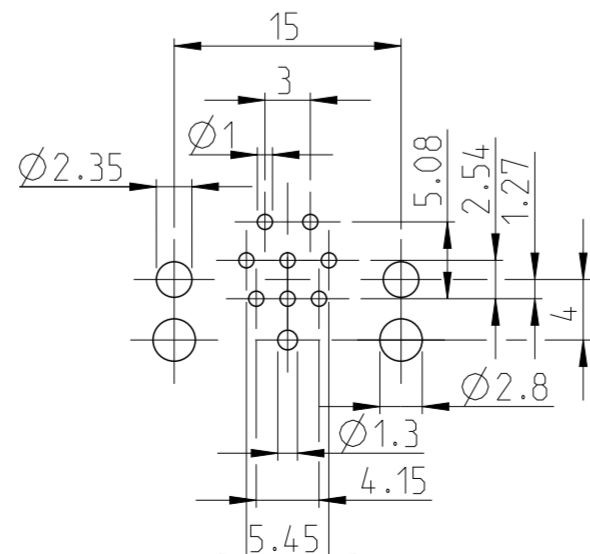
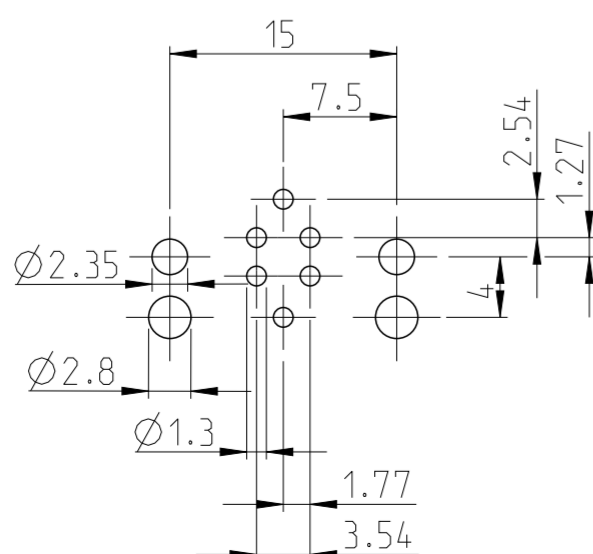
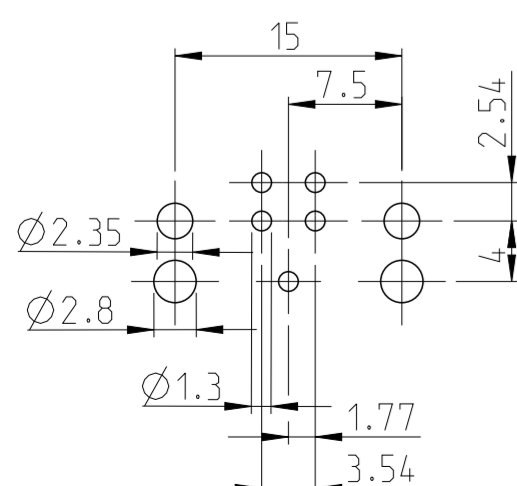
3-2172081-2

4-2172081-2

5-2172081-2



CONDUCTOR LAYOUT



NUT SHELL
 PN 2172081-3

REFER TABLE FOR
 HOUSING PN

⚠	8	5-2172081-2	
⚠	5	4-2172081-2	4-2172081-3
⚠	4	3-2172081-2	
MATERIAL	NUMBER OF POLES	PART NUMBER	HOUSING PN

THIS DRAWING IS A CONTROLLED DOCUMENT.
 DIMENSIONING AND TOLERANCING PER GPS (ISO STANDARDS).

DIMENSIONS: MASSEINHEITEN: (MM)	TOLERANCES UNLESS OTHERWISE SPECIFIED: ALLGEMEINTOLERANZEN
	0 PLC ±
	1 PLC ±
	2 PLC ±
	3 PLC ±
	4 PLC ±
	ANGLES/WINKEL ±
	FINISH/OBERFLÄCHE/FARBE

DWN	YASHKUMAR	11AUG2014
CHK	M. BRUBAKER	11AUG2014
APVD	M. BRUBAKER	11AUG2014
PRODUCT SPEC	108-19483	
APPLICATION SPEC	114-32127	
WEIGHT	-	
CUSTOMER DRAWING	/KUNDENZEICHNUNG	

		TE Connectivity	
NAME M12 MALE, PCB ASSEMBLY, ANGLED, SHIELDED, WITH STANDOFF, A-CODED			
SIZE	CAGE CODE	DRAWING NO. ZEICHNUNGS-NR.	RESTRICTED TO NUR FÜR
A2	00779	C-2172081	-
SCALE MASSSTAB		SHEET BLATT	
2:1		1 OF VON 1	
		REV A3	

SIZE ISO 14405 (E)

X-ON Electronics

Largest Supplier of Electrical and Electronic Components

Click to view similar products for [Circular Metric Connectors](#) category:

Click to view products by [TE Connectivity](#) manufacturer:

Other Similar products are found below :

[600X518037X](#) [6STD15PCR99B70A](#) [8R4000A16M020](#) [8R5000A16M005](#) [1200910002](#) [1203580030](#) [1200910008](#) [1200910011](#) [1300140094](#)
[130203-0054](#) [1300140026](#) [1300150099](#) [RF-12S1N8A90DU](#) [1612618](#) [21036836414](#) [8R4006A16M010](#) [8R5006A18A120](#) [1604232](#)
[1R3006A20M005](#) [RF-12P1N8A80DU](#) [RF-12P1N8A90DU](#) [41-40011](#) [42-00006](#) [42-01015](#) [4-22279-4](#) [4-22281-1](#) [4-22284-9](#) [43-00113](#) [43-](#)
[01088](#) [43-01203](#) [41-40013](#) [42-00008](#) [43-00343](#) [43-01032](#) [43-01162](#) [43-01173](#) [43-10000](#) [XS3P-M421-2](#) [600X518050X](#) [SACC-DSI-FS-5P-](#)
[PG9-L180 SC](#) [8R5006A16M020](#) [8R5006A16M005](#) [8R4000A16M010](#) [6-22279-3](#) [1605332](#) [N03FA03144](#) [1300140077](#) [43-16213](#) [43-01338](#)
[XS2RD4265](#)