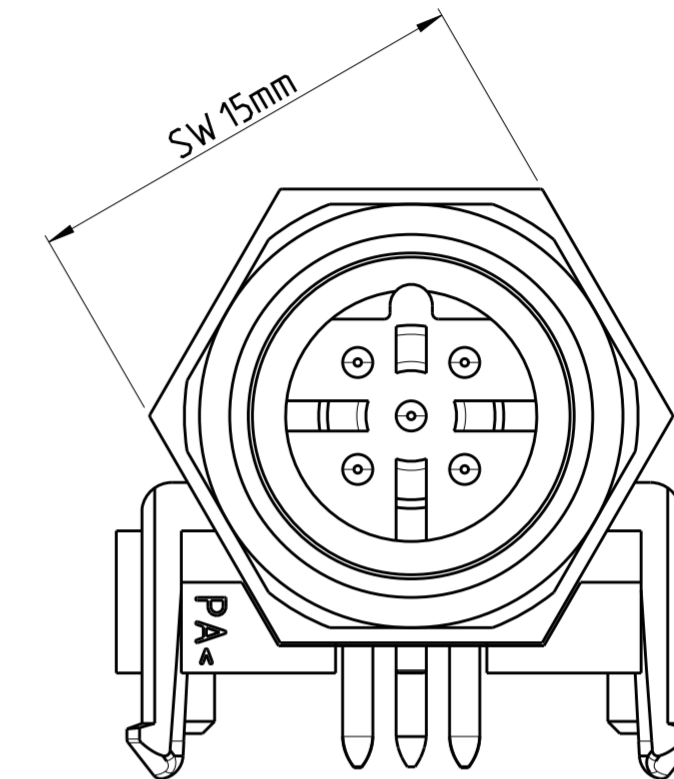
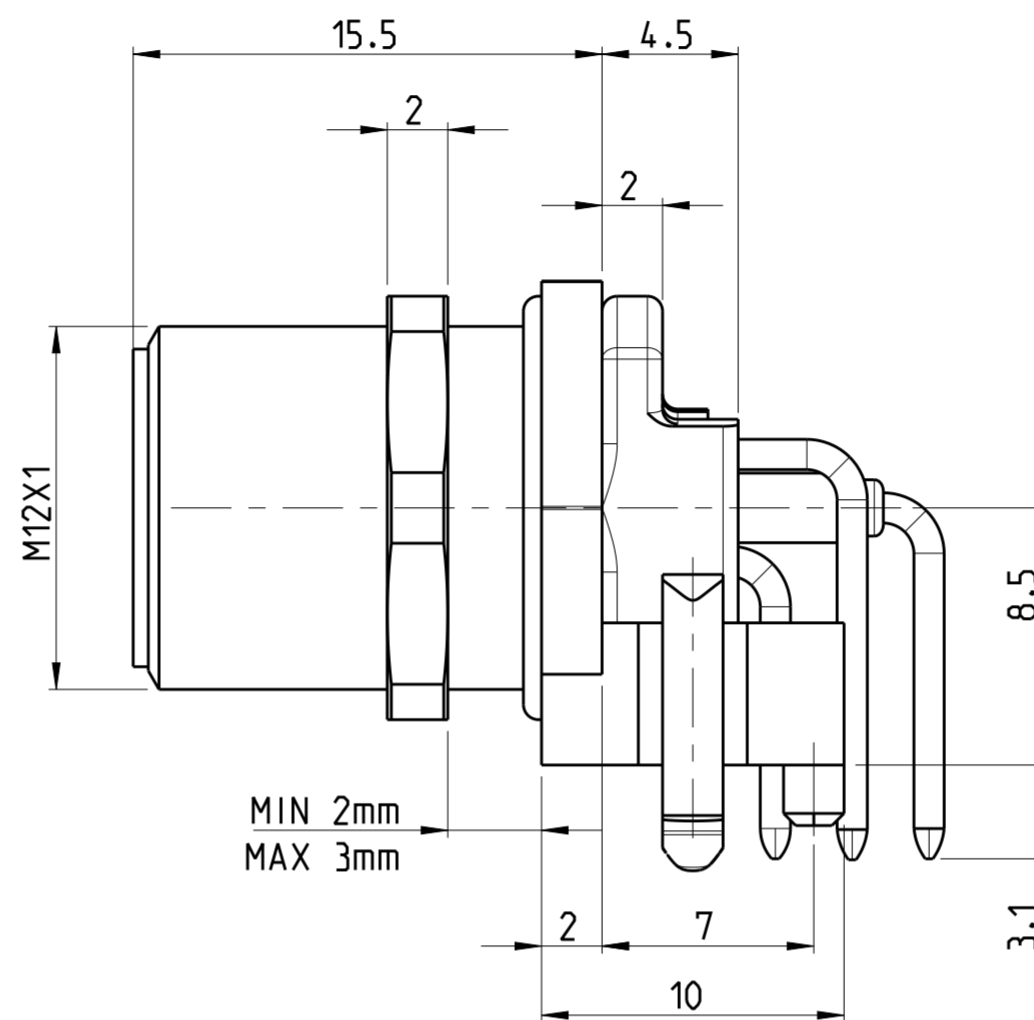
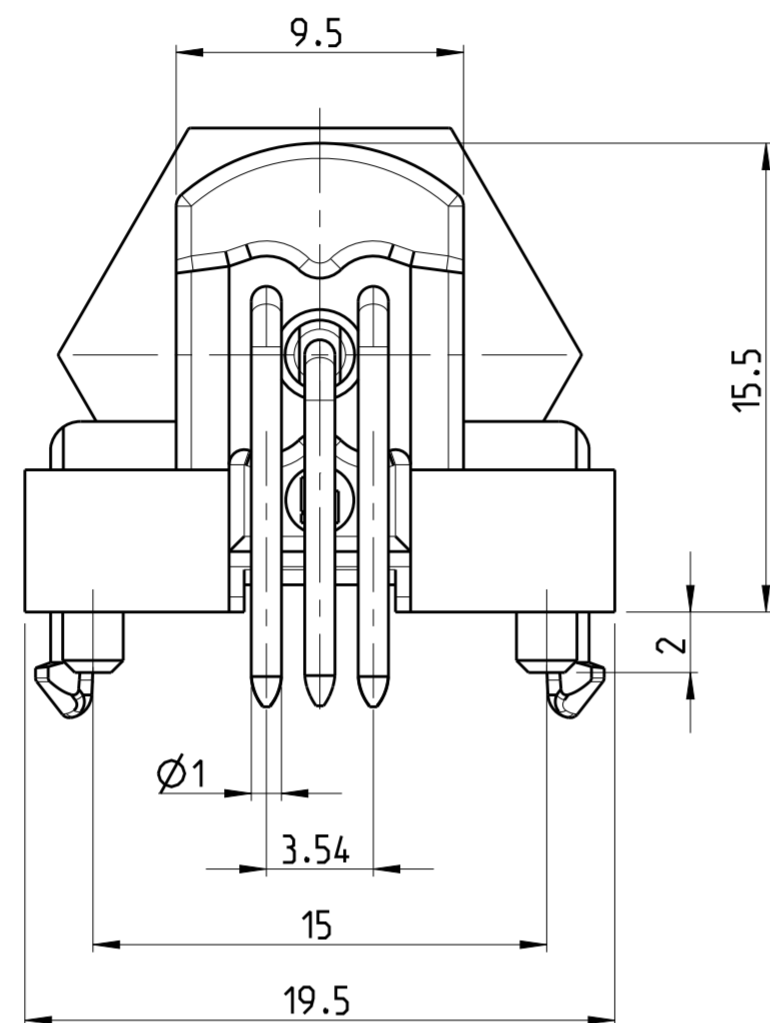
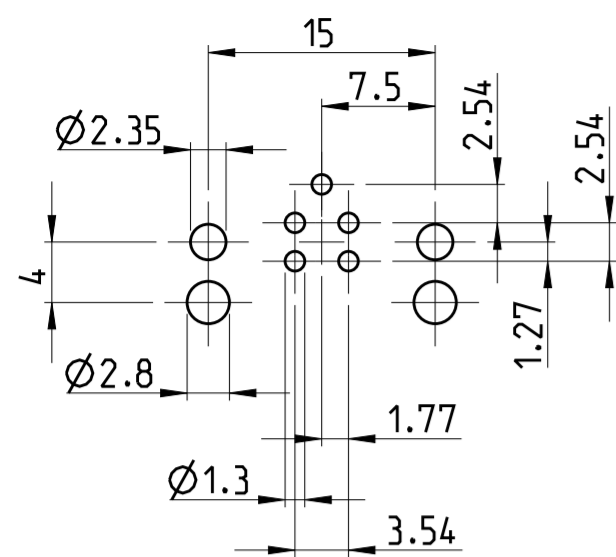


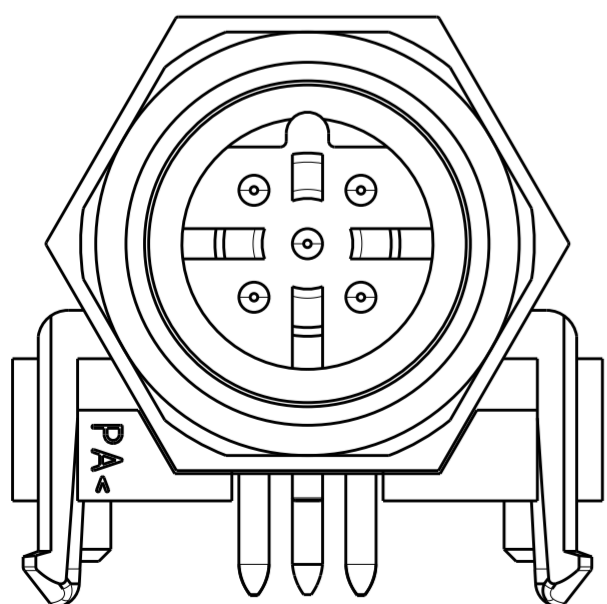
P	LTR	REVISIONS ÄNDERUNGEN DESCRIPTION BESCHREIBUNG	DATE	DWN	APVD
	A	NEW RELEASE	01DEC2014	CR	JK
	A1	ECR-20-005122	08APR2020	BP	CW

CONDUCTOR LAYOUT



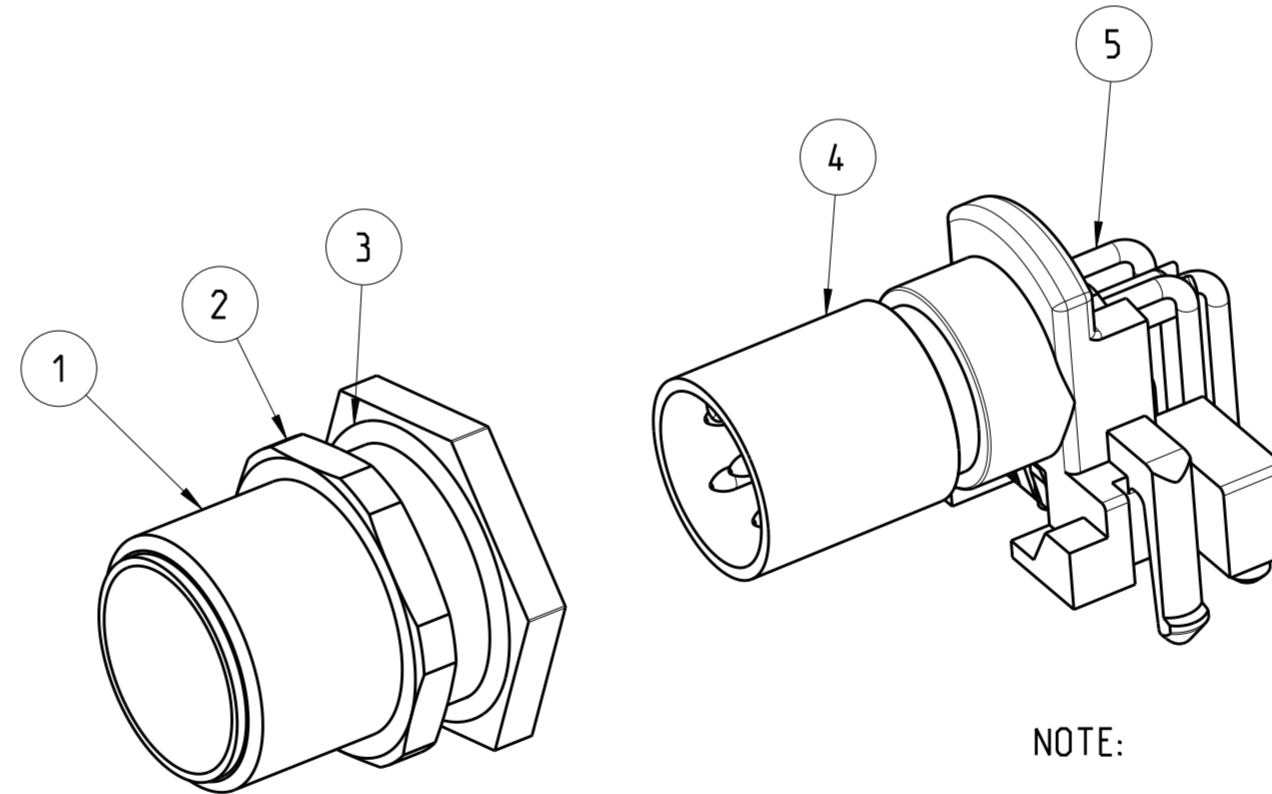
PIN ARRANGEMENT
B-CODING

4-2172082-2



TECHNICAL DATA

	4-2172082-2
RATED VOLTAGE	125V
RATED IMPULSE VOLTAGE	1500V
POLLUTION DEGREE	3
OVERVOLTAGE CATEGORY	II
MATERIAL GROUP	II
RATED CURRENT	4A
VOLUME RESISTIVITY	≤ 3mΩ
DEGREE OF PROTECTION	IP67
UPPER TEMPERATURE	+85 °C
LOWER TEMPERATURE	+40 °C



NOTE:

- 1.THE COMPONENTS ITEM NO 1, 2, 3 ARE PACKAGE AS A SEPERATE HARDWARE.
- 2.ALL DIMENSIONS ARE FOR NOMINAL REFERENCE ONLY UNLESS OTHERW ISE STATED.

ITEM	DESCRIPTION	MATERIAL	COMMENT
1	SHELL	CuZn	NICKEL PLATED
2	NUT	CuZn	NICKEL PLATED
3	O-RING	RUBBER	-
4	PLASTIC BODY	PA	-
5	CONTACT	CuZn	AU PLATED

DIESE ZEICHNUNG IST EIN KONTROLLIERTES DOKUMENT. BEMASSUNGEN UND TOLERANZEN GEMAESS GPS (ISO STANDARDS).		DWN YASHKUMAR 12SEP2014	
THIS DRAWING IS A CONTROLLED DOCUMENT. DIMENSIONING AND TOLERANCING PER GPS (ISO STANDARDS).		CHK M. BRUBAKER 12SEP2014	
DIMENSIONS: MASSE/WEITEN: (MM)		APVD M. BRUBAKER 12SEP2014	
TOLERANCES UNLESS OTHERWISE SPECIFIED: ALLGEMEINTOLERANZEN		NAME M12 MALE CONNECTOR, PCB ASSEMBLY, ANGLED, UNSHIELDED, B-CODED	
0 PLC ±		PRODUCT SPEC 108-19483	
1 PLC ±		APPLICATION SPEC 114-32127	
2 PLC ±		WEIGHT -	
3 PLC ±		Customer Drawing	
4 PLC ±		/KUNDENZEICHNUNG	
ANGLES/WINKEL ±		SCALE MASSSTAB 2:1	
FINISH/OBERFLAECHE/FARBE		SHEET BLATT 1 OF 1	
		REV A1	

5	4-2172082-2
NUMBER OF POLES	TE-PART-NO.

STE TE Connectivity

SIZE A2	CAGE CODE 00779	DRAWING NO. ZEICHNUNGS-NR. C-2172082	RESTRICTED TO NUR FÜR -
---------	-----------------	--------------------------------------	-------------------------

SIZE ISO 14405 (E)

X-ON Electronics

Largest Supplier of Electrical and Electronic Components

Click to view similar products for [Circular Metric Connectors](#) category:

Click to view products by [TE Connectivity](#) manufacturer:

Other Similar products are found below :

[600X518037X](#) [6STD15PCR99B70A](#) [8R4000A16M020](#) [8R5000A16M005](#) [1200910002](#) [1203580030](#) [1200910008](#) [1200910011](#) [1300140094](#)
[130203-0054](#) [1300140026](#) [1300150099](#) [RF-12S1N8A90DU](#) [1612618](#) [21036836414](#) [8R4006A16M010](#) [8R5006A18A120](#) [1604232](#)
[1R3006A20M005](#) [RF-12P1N8A80DU](#) [RF-12P1N8A90DU](#) [41-40011](#) [42-00006](#) [42-01015](#) [4-22279-4](#) [4-22281-1](#) [4-22284-9](#) [43-00113](#) [43-](#)
[01088](#) [43-01203](#) [41-40013](#) [42-00008](#) [43-00343](#) [43-01032](#) [43-01162](#) [43-01173](#) [43-10000](#) [XS3P-M421-2](#) [600X518050X](#) [SACC-DSI-FS-5P-](#)
[PG9-L180 SC](#) [8R5006A16M020](#) [8R5006A16M005](#) [8R4000A16M010](#) [6-22279-3](#) [1605332](#) [N03FA03144](#) [1300140077](#) [43-16213](#) [43-01338](#)
[XS2RD4265](#)