

THIS DRAWING IS UNPUBLISHED.
 VERTRÄGLICHE UNVERÖFFENTLICHTE ZEICHNUNG
 © COPYRIGHT 2014 Tyco Electronics AMP GmbH
 RELEASED FOR PUBLICATION
 FREI FÜR VERÖFFENTLICHUNG
 2014
 ALL RIGHTS RESERVED.
 ALLE RECHTE VORBEHALTEN.
 MATED WITH
 PASSEND ZU

PROJECT NO.:
 PRJ-11-000004377

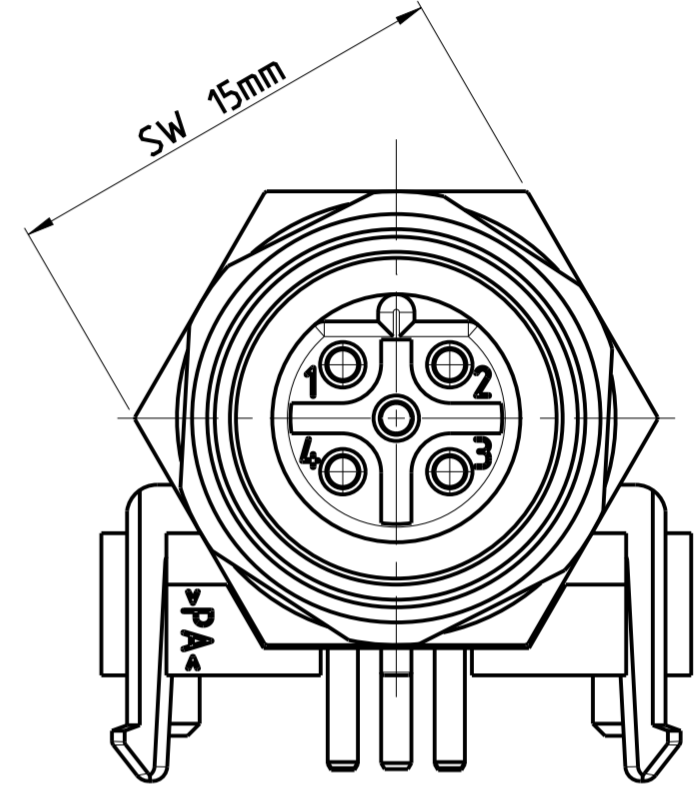
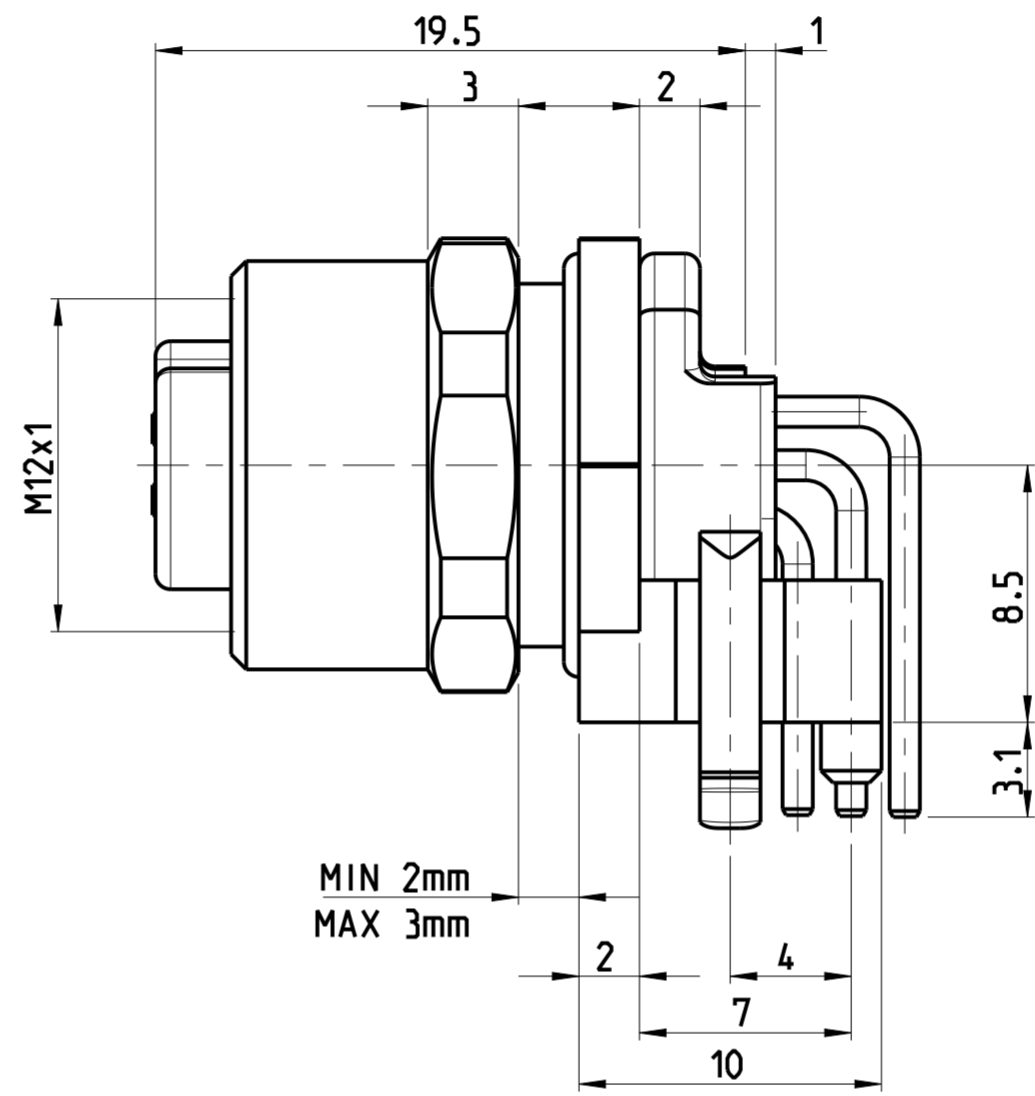
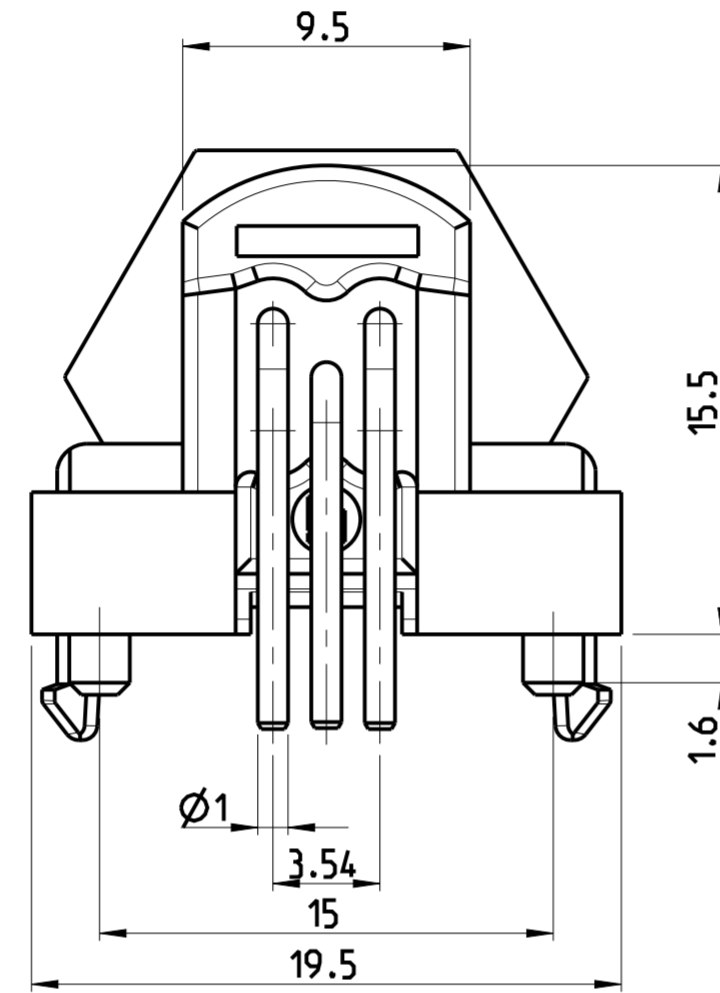
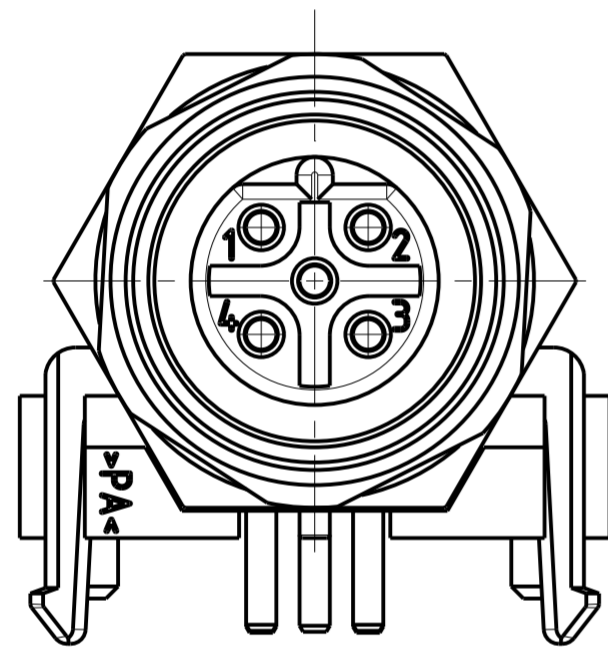
REVISIONS		DATE	DWN	APVD
ÄNDERUNGEN				
P	LTR	DESCRIPTION		
		BESCHREIBUNG		
A		NEW RELEASE	01DEC2014	CR JK

MATERIAL:
 ITEM NO. 1: HOUSING - CuZn (BRASS, NICKEL PLATED)
 ITEM NO. 2: CONTACT BODY - PA
 ITEM NO. 3: CONTACT - CuSn (BRONZE)
 CONTACT FINISH - Au (GOLD)

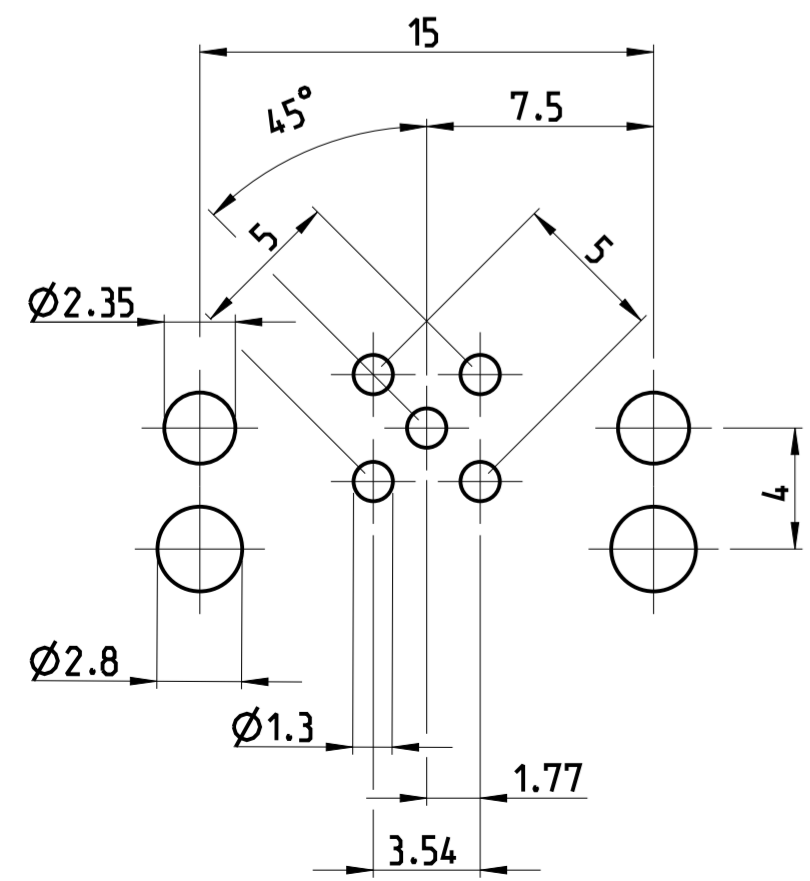
2 ALL DIMENSIONS ARE FOR NOMINAL REFERENCE ONLY UNLESS OTHERWISE STATED

**PIN ARRANGEMENT
 B-CODING**

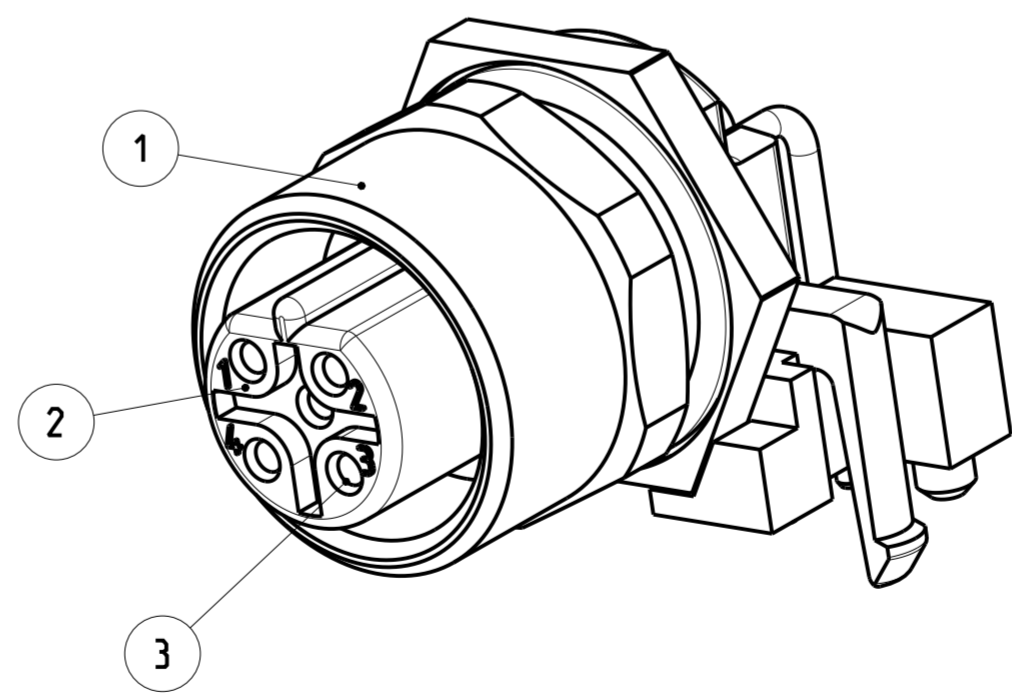
4-2172083-2



CONDUCTOR LAYOUT



TECHNICAL DATA		4-2172083-2
RATED VOLTAGE		125V
RATED IMPULSE VOLTAGE		1500V
POLLUTION DEGREE		3
OVERVOLTAGE CATEGORY		II
MATERIAL GROUP		II
RATED CURRENT		4A
VOLUME RESISTIVITY		≤ 3mΩ
DEGREE OF PROTECTION		IP68
UPPER TEMPERATURE		+85 °C
LOWER TEMPERATURE		+40 °C



DIESE ZEICHNUNG IST EIN KONTROLLIERTES DOKUMENT. BEMASSUNGEN UND TOLERANZEN GEMAESS GPS (ISO STANDARDS).		DWN YASHKUMAR 12SEP2014
THIS DRAWING IS A CONTROLLED DOCUMENT. DIMENSIONING AND TOLERANCING PER GPS (ISO STANDARDS).		CHK M. BRUBAKER 12SEP2014
DIMENSIONS: MASSEINHEIT: mm		APVD M. BRUBAKER 12SEP2014
TOLERANCES UNLESS OTHERWISE SPECIFIED: ALLGEMEINTOLERANZEN		NAME M. BRUBAKER
0 PLC ± 1 PLC ± 2 PLC ± 3 PLC ± 4 PLC ±		PRODUCT SPEC 108-19483
ANGLES/INCL ± FINISH/OBERFLÄCHE/FARBE		APPLICATION SPEC 114-32127
MATERIAL	-	WEIGHT GEWICHT
-	-	-
Customer Drawing		Customer Drawing

⚠	5	4-2172083-2
MATERIAL	NUMBER OF POLES	TE-PART-NO.



M12 RECEPTACLE CONNECTOR, PCB ASSEMBLY, ANGLED, UNSHIELDED, STAND OFF, B-CODED			
SIZE A2	CAGE CODE 00779	DRAWING NO. ZEICHNUNGS-NR. G-2172083	RESTRICTED TO MUR FUER -
SCALE MASSTAB	4:1	SHEET BLATT	1 OF 1
REV	A		

SIZE ISO 14405 (E)

X-ON Electronics

Largest Supplier of Electrical and Electronic Components

Click to view similar products for [Circular Metric Connectors](#) category:

Click to view products by [TE Connectivity](#) manufacturer:

Other Similar products are found below :

[600X518037X](#) [6STD15PCR99B70A](#) [8R4000A16M020](#) [8R5000A16M005](#) [1200910002](#) [1203580030](#) [1200910008](#) [1200910011](#) [1300140094](#)
[130203-0054](#) [1300140026](#) [1300150099](#) [RF-12S1N8A90DU](#) [1612618](#) [21036836414](#) [8R4006A16M010](#) [8R5006A18A120](#) [1604232](#)
[1R3006A20M005](#) [RF-12P1N8A80DU](#) [RF-12P1N8A90DU](#) [41-40011](#) [42-00006](#) [42-01015](#) [4-22279-4](#) [4-22281-1](#) [4-22284-9](#) [43-00113](#) [43-](#)
[01088](#) [43-01203](#) [41-40013](#) [42-00008](#) [43-00343](#) [43-01032](#) [43-01162](#) [43-01173](#) [43-10000](#) [XS3P-M421-2](#) [600X518050X](#) [SACC-DSI-FS-5P-](#)
[PG9-L180 SC](#) [8R5006A16M020](#) [8R5006A16M005](#) [8R4000A16M010](#) [6-22279-3](#) [1605332](#) [N03FA03144](#) [1300140077](#) [43-16213](#) [43-01338](#)
[XS2RD4265](#)