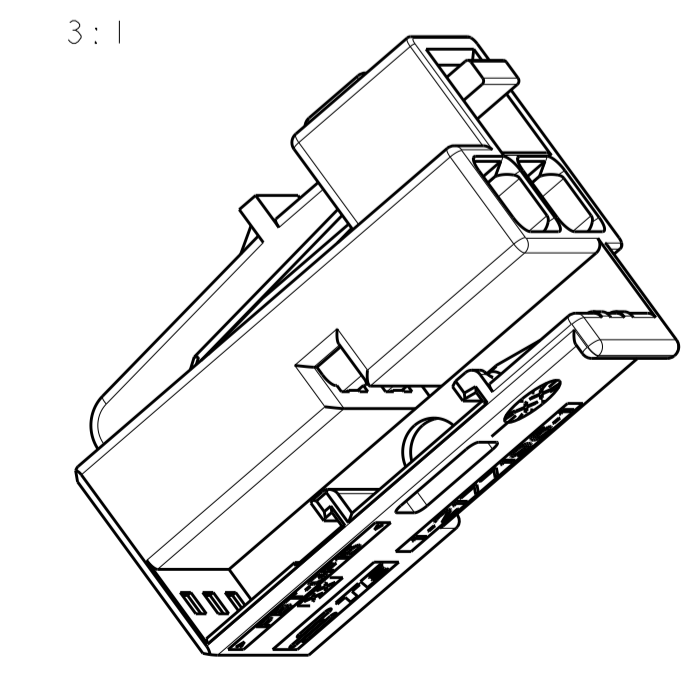
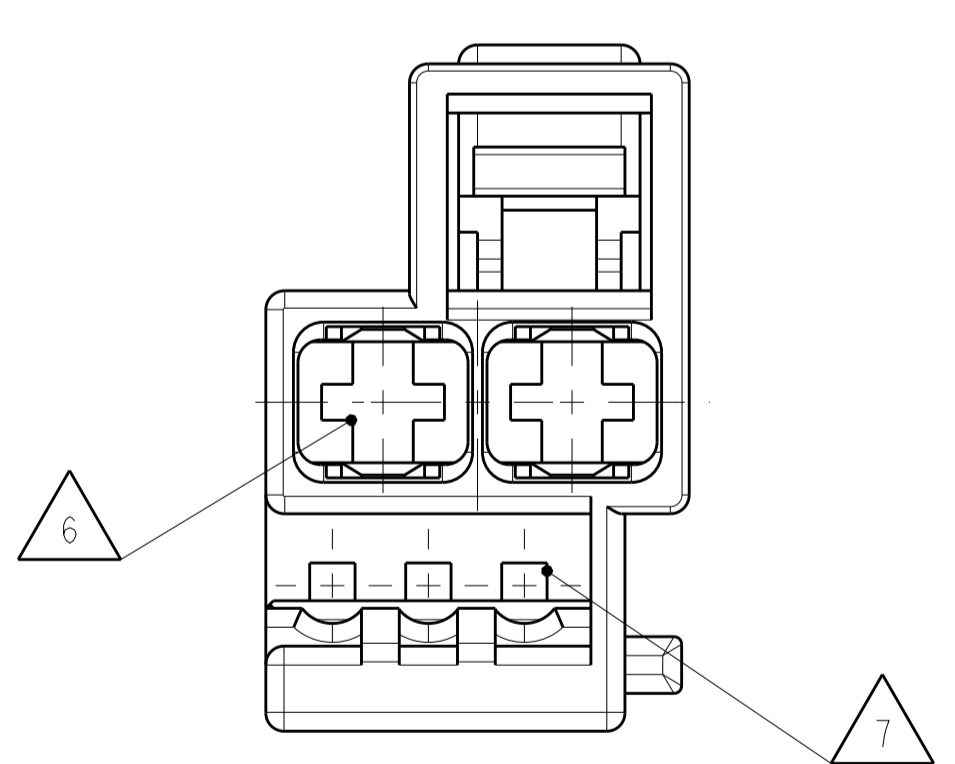
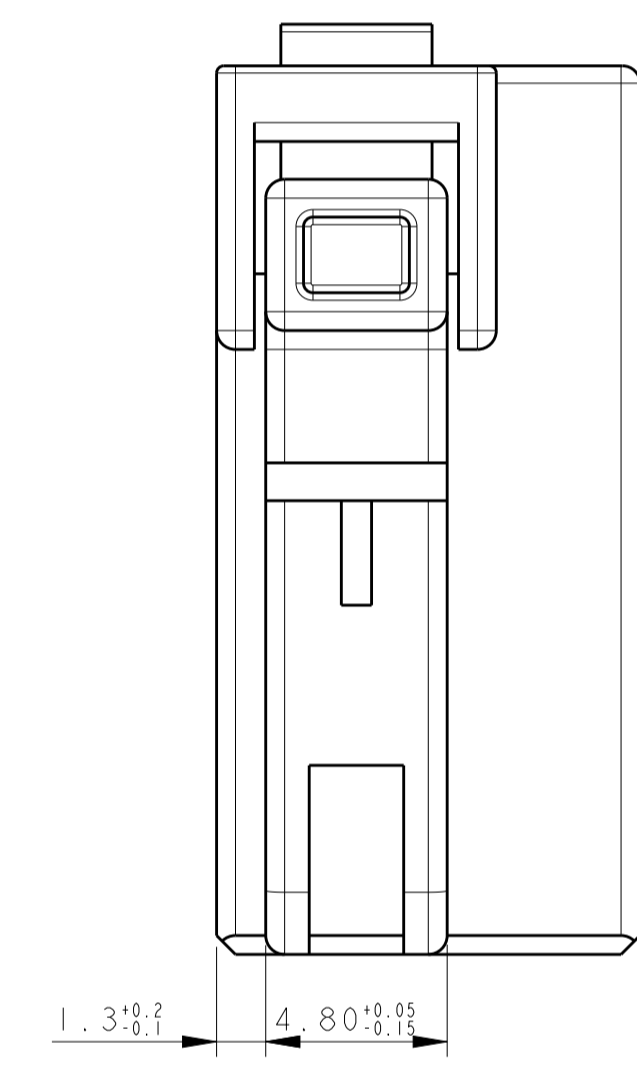
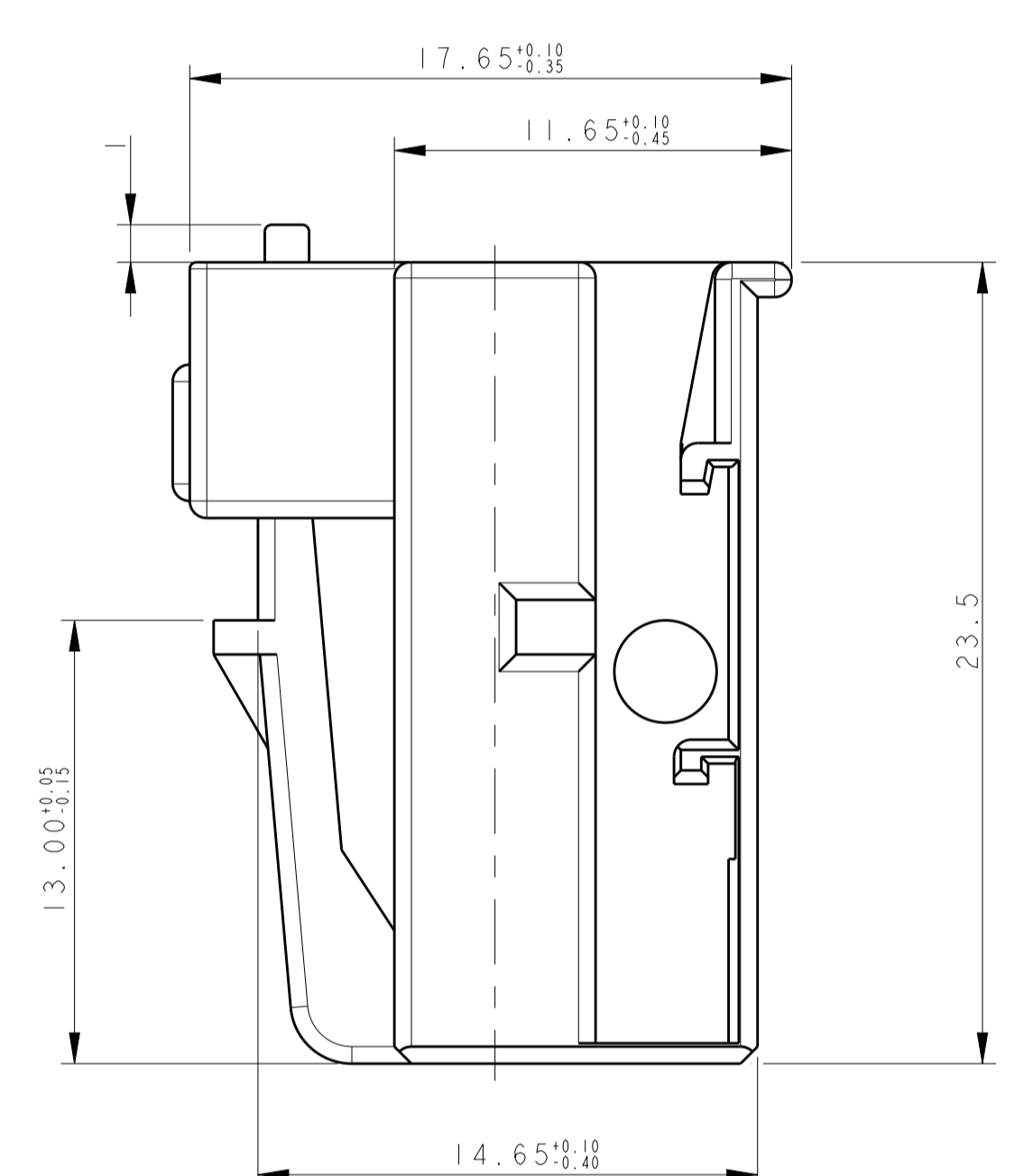
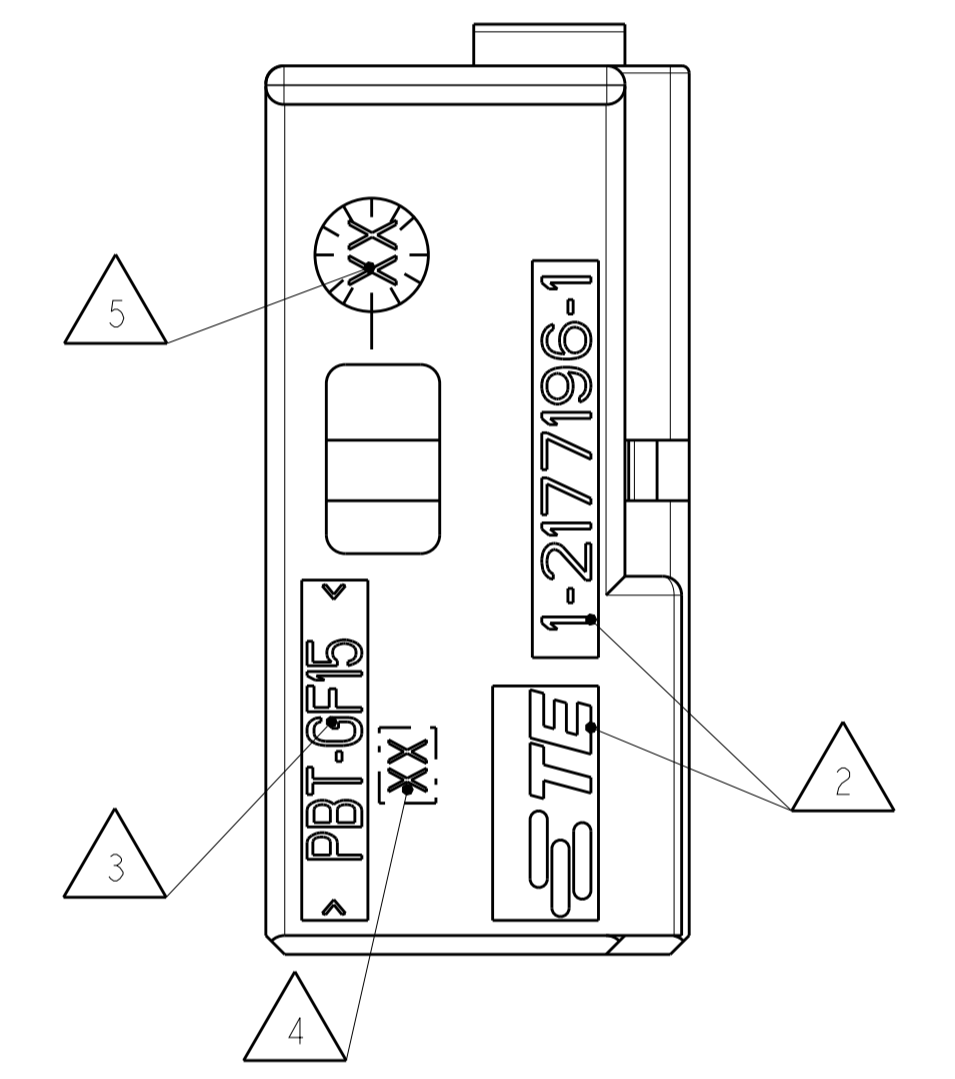
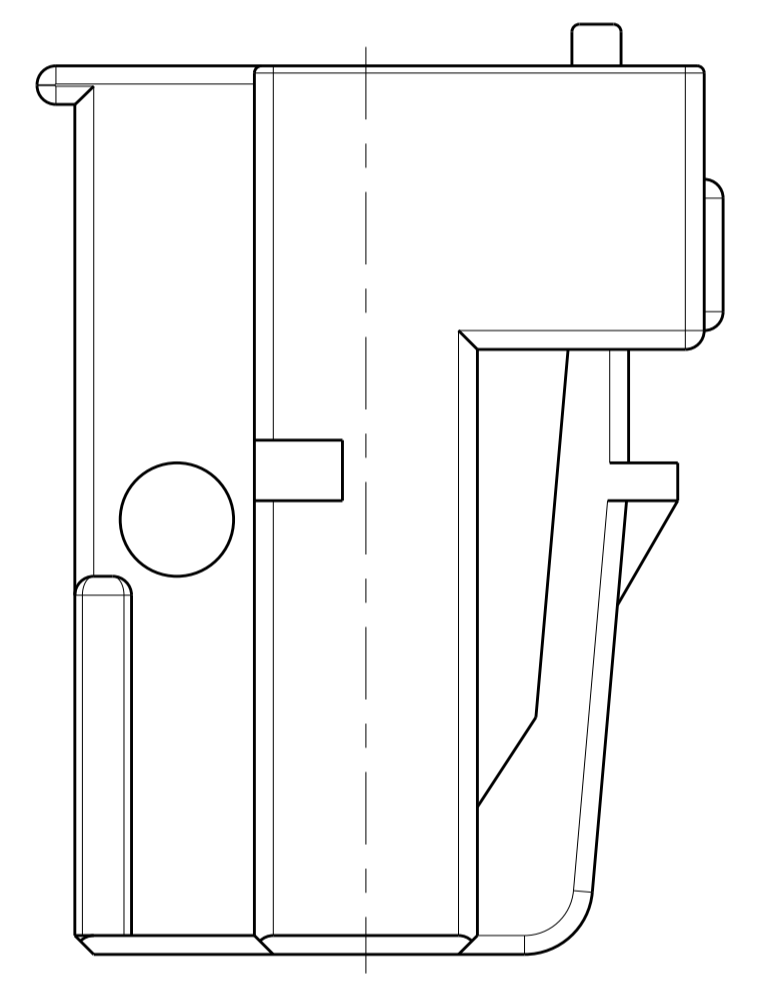
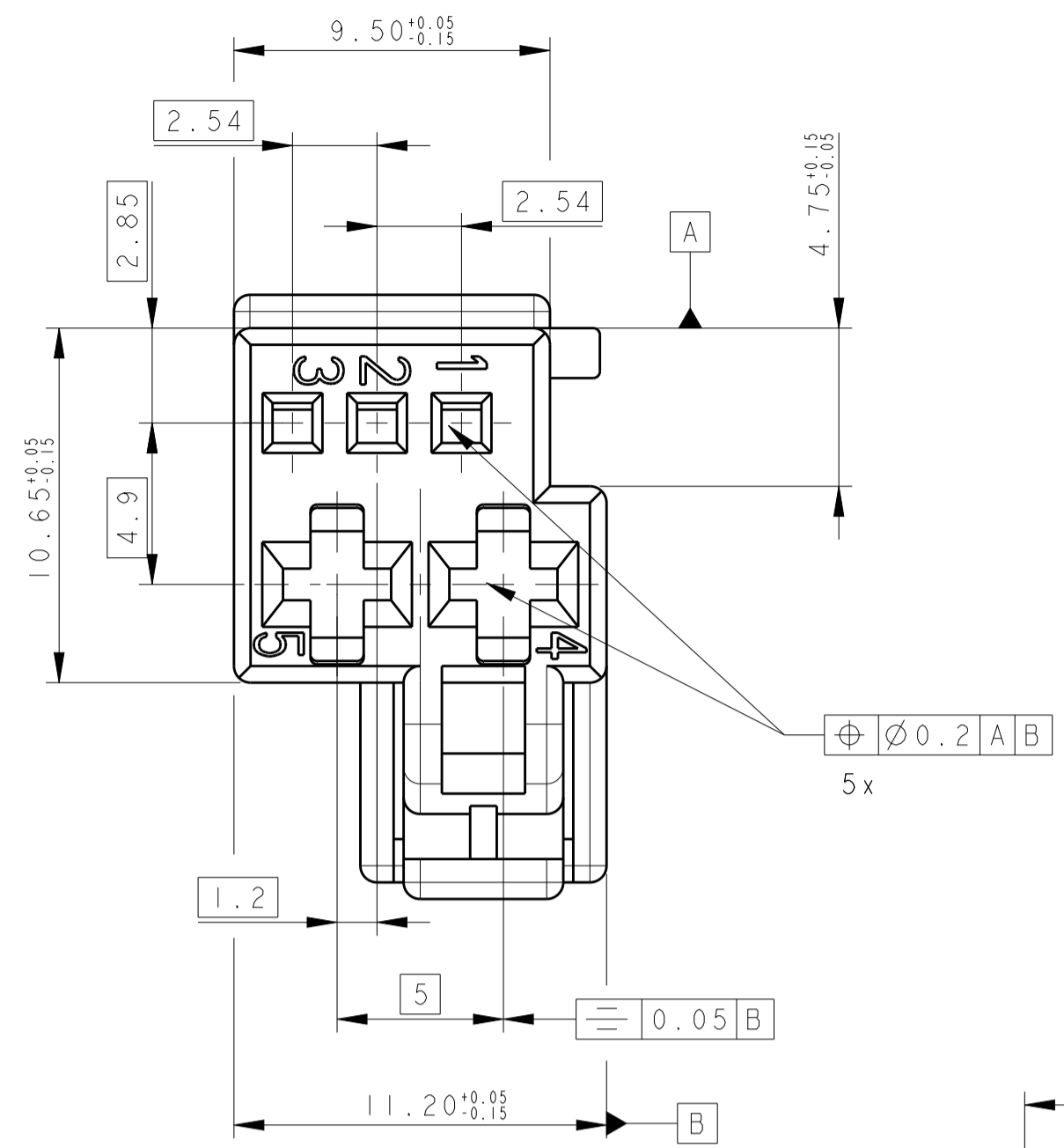
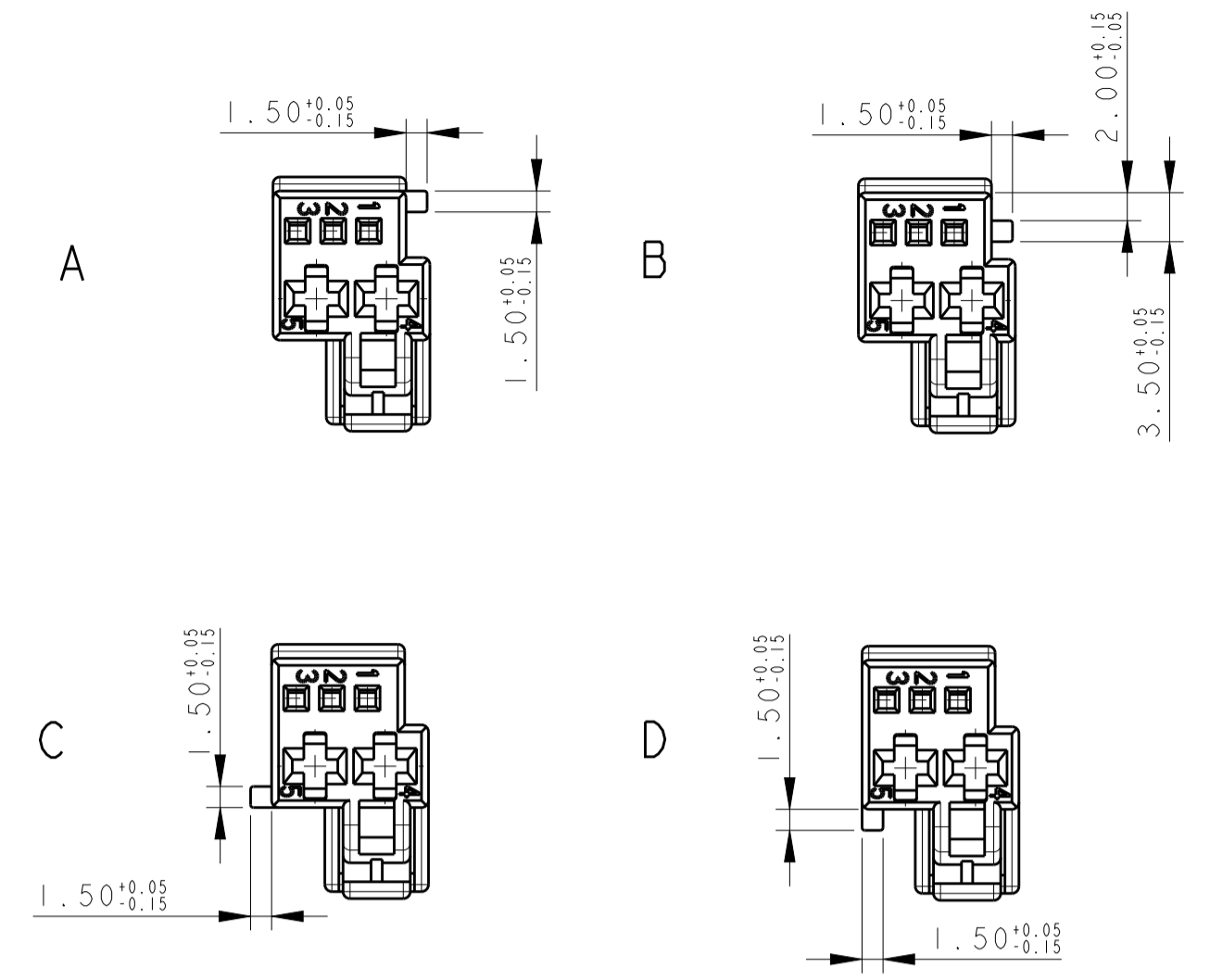


LOC		DIST		REVISIONS			
P	LTN	DESCRIPTION	DATE	DWN	APVD		
A1		RELEASED PER ECO 13-003094	27FEB2013	M.B.	M.B.		

CODINGS
2:1



- NOTES
- 1 CODING 1- -1 AS SHOWN
 - 2 SUPPLIER-LOGO
 - 3 MATERIAL IDENTIFICATION
 - 4 MOLD CAVITY MARKING.
 - 5 DATE INSERT
 - 6 CAVITIES SUITABLE FOR TE MCP 2.8 CONTACT PN 1355036
 - 7 SLOT SUITABLE FOR TE HOUSING FOR MQS CONTACTS PN 2177231
 - 8 FOR COUNTERPART INTERFACE DRAWING SEE SHEET 2 OF 2

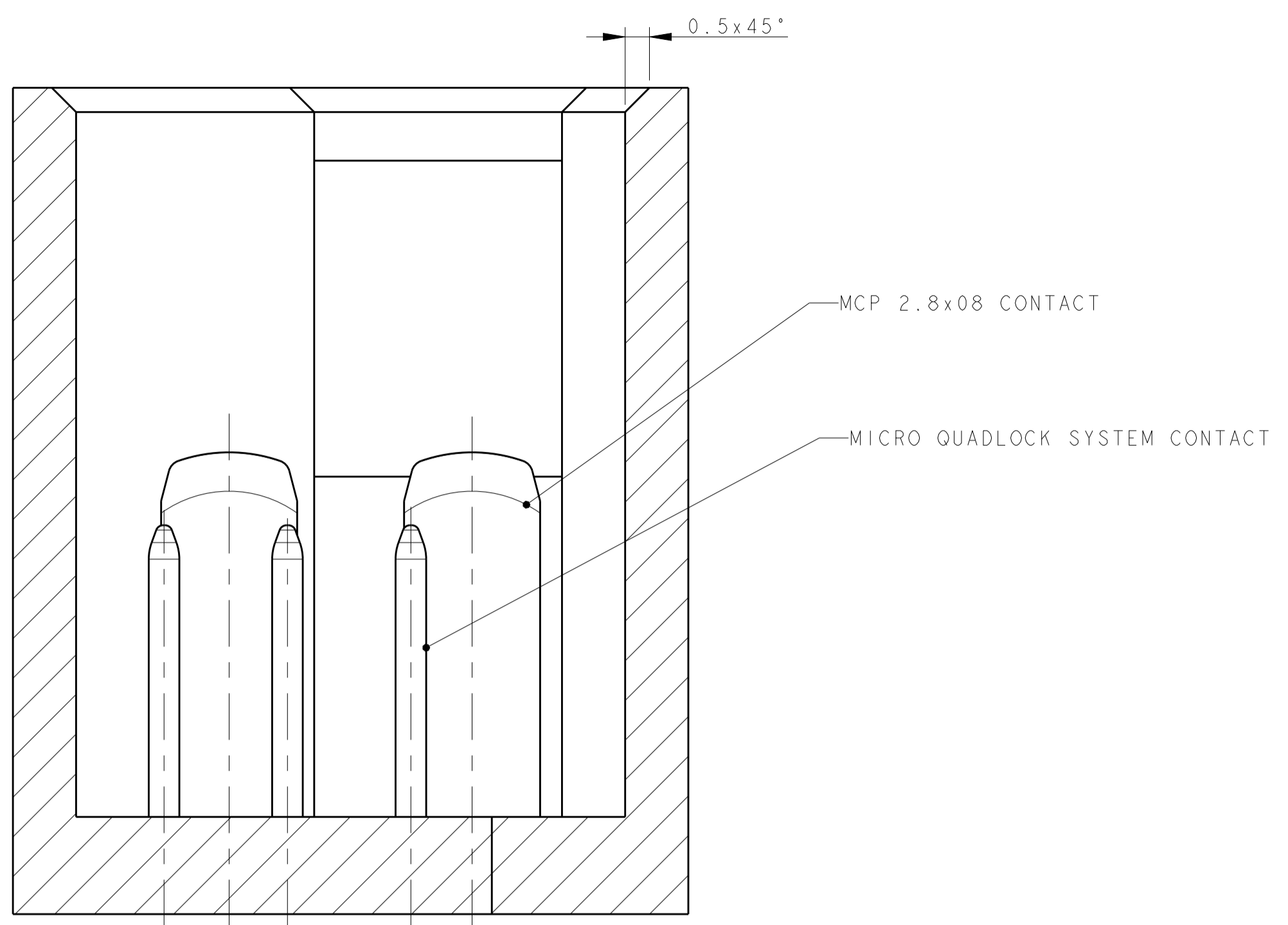
DESCRIPTION	MASS (Kg)	COD.	TE ORDER-NO.	REV.	MATERIAL	SURFACE
SOCKET HOUSING, 5POS	0,00179	E	5-2177196-1	I	PBT-GF15	GREEN
SOCKET HOUSING, 5POS	0,00179	D	4-2177196-1	I	PBT-GF15	VIOLET
SOCKET HOUSING, 5POS	0,00179	C	3-2177196-1	I	PBT-GF15	BLUE
SOCKET HOUSING, 5POS	0,00179	B	2-2177196-1	I	PBT-GF15	NATURAL
SOCKET HOUSING, 5POS	0,00179	A	1-2177196-1	I	PBT-GF15	BLACK

THIS DRAWING IS A CONTROLLED DOCUMENT.

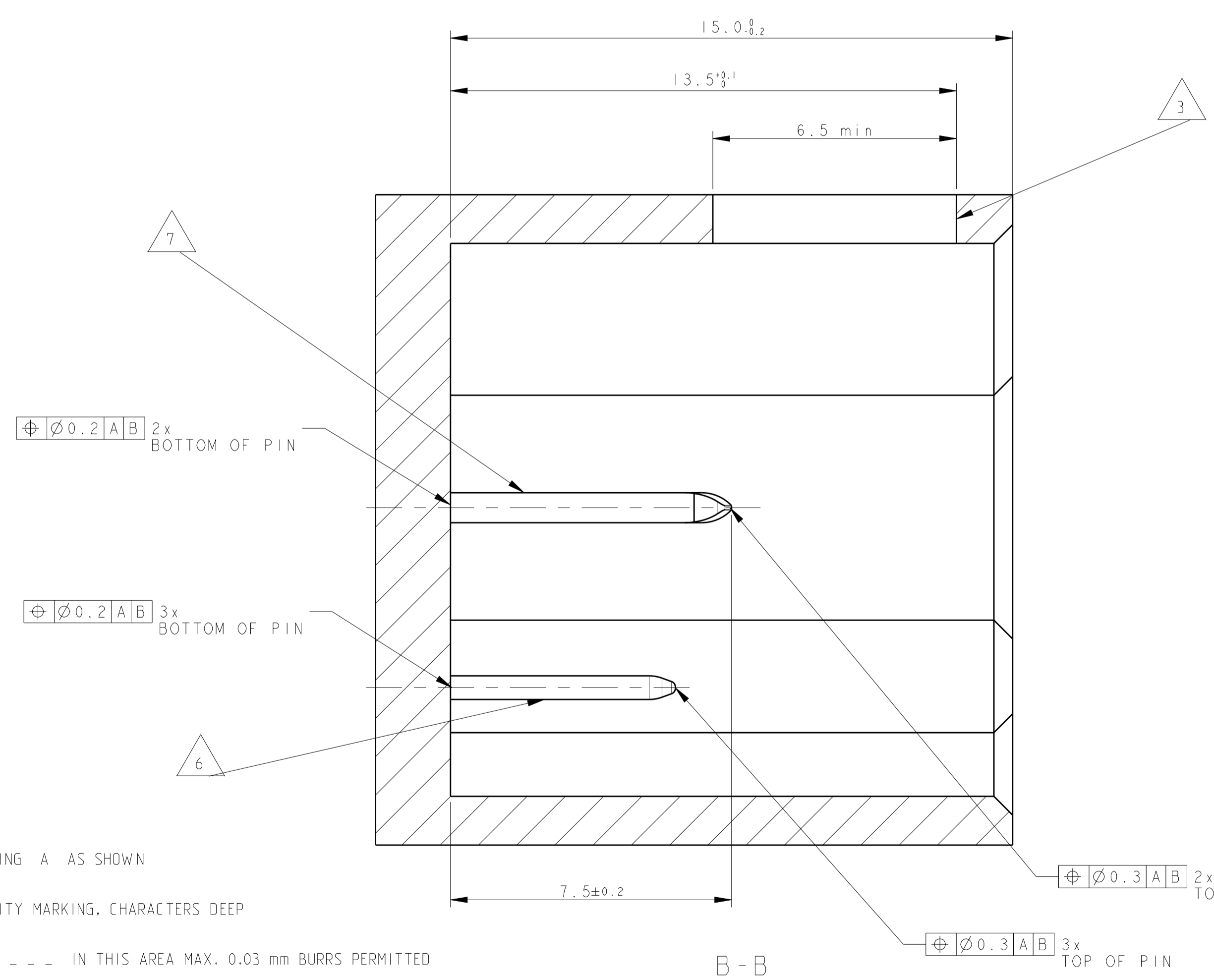
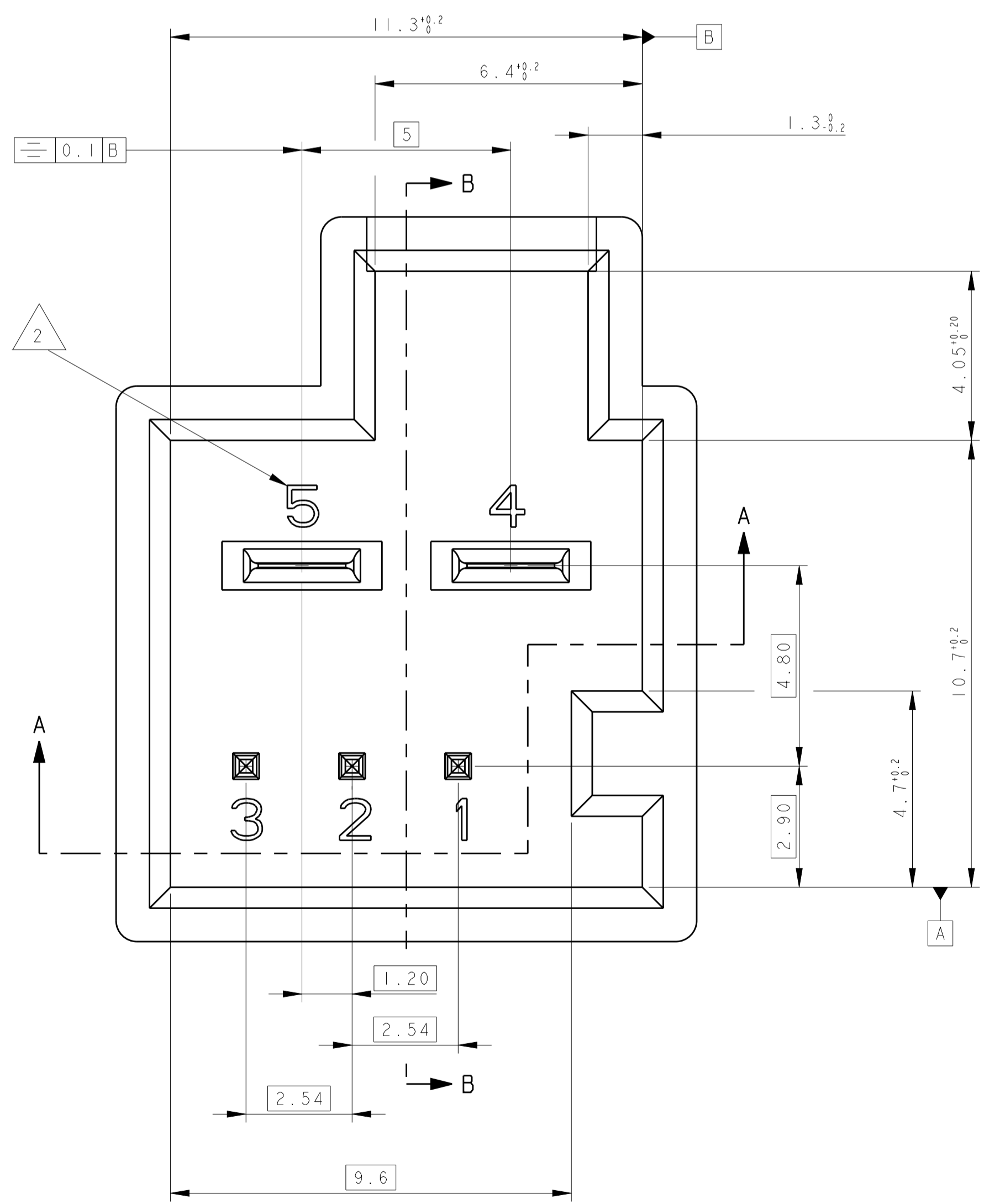
DIMENSIONS: mm	TOLERANCES UNLESS OTHERWISE SPECIFIED: 0 PLC ±.15 1 PLC ±.10 2 PLC ±.10 3 PLC ±. 4 PLC ±. ANGLES ±°	OWN: M. POLIZZI 09MAY2011 CHK: M. GURLINO 09MAY2011 APVD: A. GENTA 09MAY2011	NAME: STE TE Connectivity
MATERIAL: SEE TABLE	FINISH: SEE TABLE	PRODUCT SPEC: 108-20320 APPLICATION SPEC:	SIZE: CAGE CODE: DRAWING NO: A100779C=2177196
Customer Drawing		WEIGHT: SEE TABLE	RESTRICTED TO: -
		SCALE: 5:1	SHEET 1 OF 2 REV: A1

LOC	DIST	REV	DATE	APPV
		1		

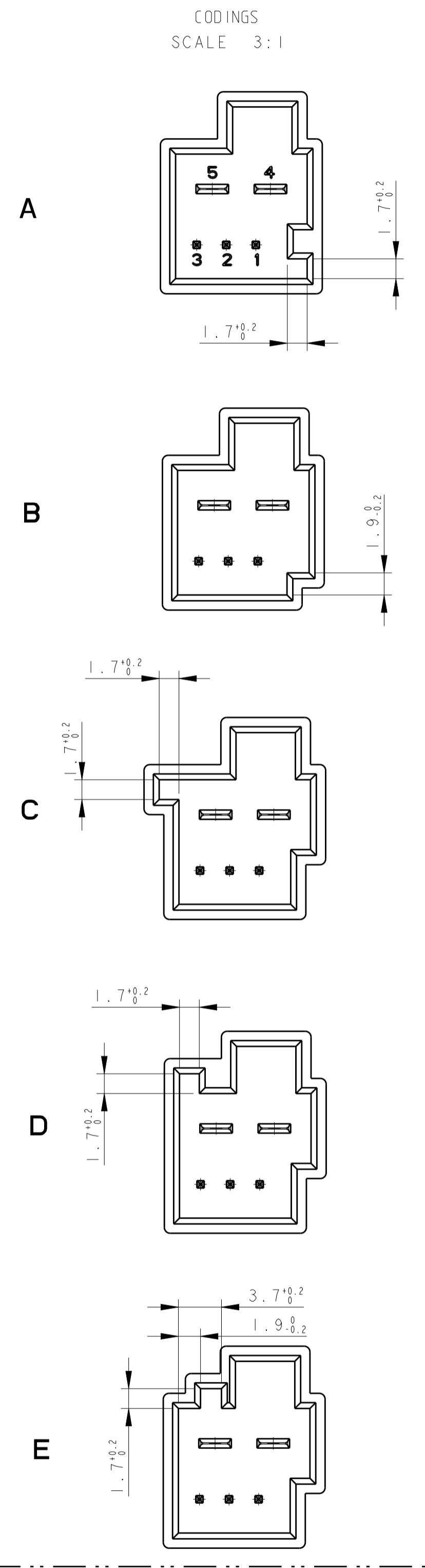
REVISIONS			
NO	DESCRIPTION	DATE	APPV
1	SEE SHEET 1		



A - A



B - B



CODINGS
SCALE 3:1

- NOTES:
- 1 CODING A AS SHOWN
 - 2 CAVITY MARKING, CHARACTERS DEEP
 - 3 - - - - IN THIS AREA MAX. 0.03 mm BURRS PERMITTED
 - 4 NO SPECIFIED RADII R0.5 mm
 - 5 NO SPECIFIED WALL THICKNESS MIN. 1.3 mm
 - 6 SPECIFICATION OF CONTACT PIN MQS No 114-18063
 - 7 SPECIFICATION OF CONTACT TAB 2.8x0.8 No 114-18230-002
 - 8 HEADER MATERIAL: PBT-GF15
 - 9 COUNTERPART SUITABLE FOR 5 POSITIONS SOCKET HOUSING: 2xMCP 2.8. 3xMQS TE PN 2177196

THIS DRAWING IS A CONTROLLED DOCUMENT.		OWN M. POLIZZI 09MAY2011	 TE Connectivity
DIMENSIONS: mm		CHK M. GURLINO 09MAY2011	
TOLERANCES UNLESS OTHERWISE SPECIFIED:		APPV A. GENTA 09MAY2011	NAME
0 PLC ±.15	1 PLC ±.10	PRODUCT SPEC	SOCKET HOUSING, 5POS
2 PLC ±.10	3 PLC ±.10	APPLICATION SPEC	(2xAMP MCP2.8 3xMQS)
4 PLC ±.10	5 PLC ±.10	SIZE	108-20320
ANGLES ±.2		WEIGHT	SEE TABLE
MATERIAL SEE TABLE	FINISH SEE TABLE	Customer Drawing	A100779C=2177196
6	7	8	SCALE 5:1 SHEET 2 OF 2 REV A1

X-ON Electronics

Largest Supplier of Electrical and Electronic Components

Click to view similar products for [Automotive Connectors](#) category:

Click to view products by [TE Connectivity](#) manufacturer:

Other Similar products are found below :

[003-018-000](#) [60993906-B](#) [M902-2131](#) [M902-2161](#) [M902-2344](#) [72.330.1035.1](#) [73.353.4028.0](#) [F166900](#) [F358300-B](#) [F407400](#) [776880-1](#)
[827153-1](#) [8N1515-32-24P](#) [9-1326729-8](#) [925474-1](#) [928905-1](#) [964562-4](#) [968782-1](#) [98891-1012](#) [12004475-L](#) [12020308](#) [12041318-B](#)
[12052466](#) [12064869](#) [12015909](#) [1-21030-1](#) [12041254](#) [12041318](#) [12047946-B](#) [12110546-B](#) [12131792](#) [12084688](#) [12092346](#) [HD34-18-14PT](#)
[HD46-24-23SN-059](#) [HDB36-24-16PN-059](#) [HDP26-24-9SE-L015](#) [12185280](#) [12185550](#) [12336-12](#) [12191172-B](#) [12S](#) [13545280](#) [13577943](#)
[13681974](#) [13737722-B](#) [13830674](#) [13832576](#) [13849772](#) [13542772](#)