

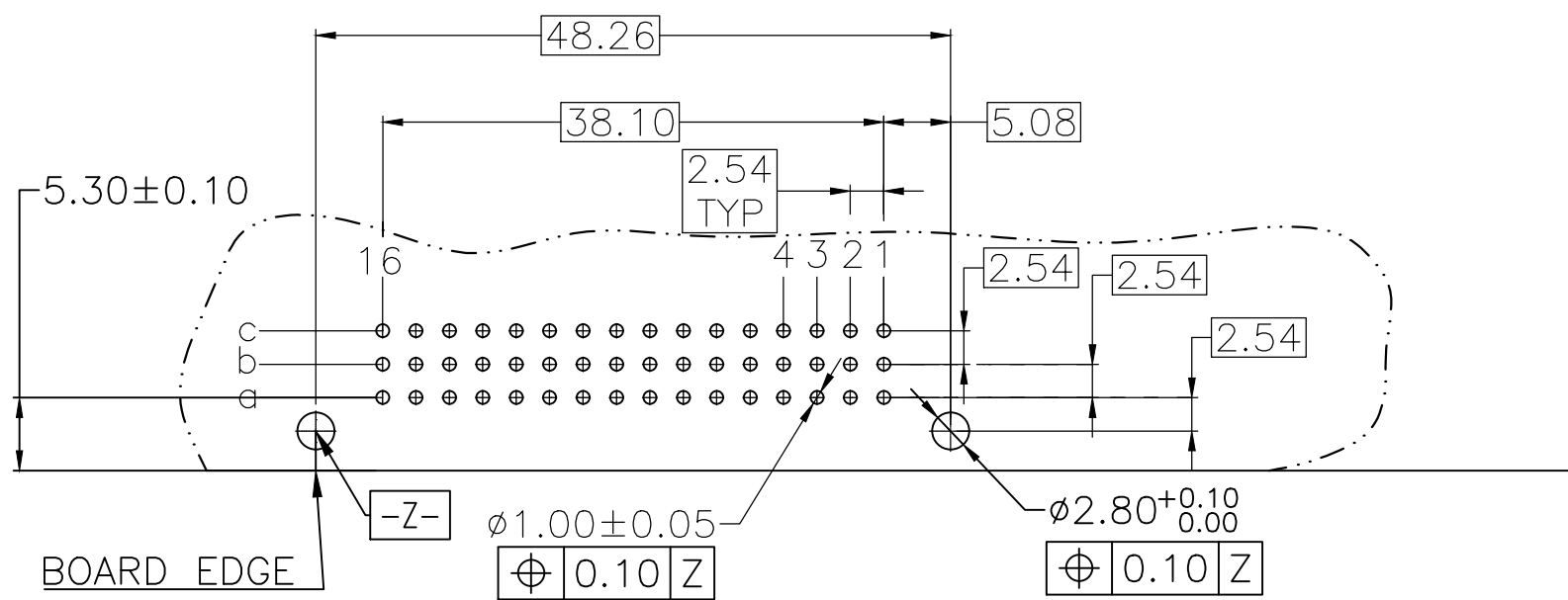
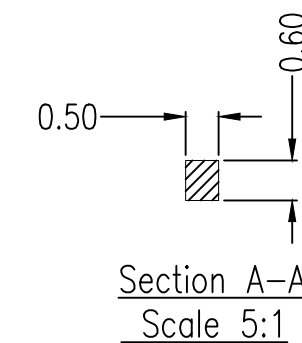
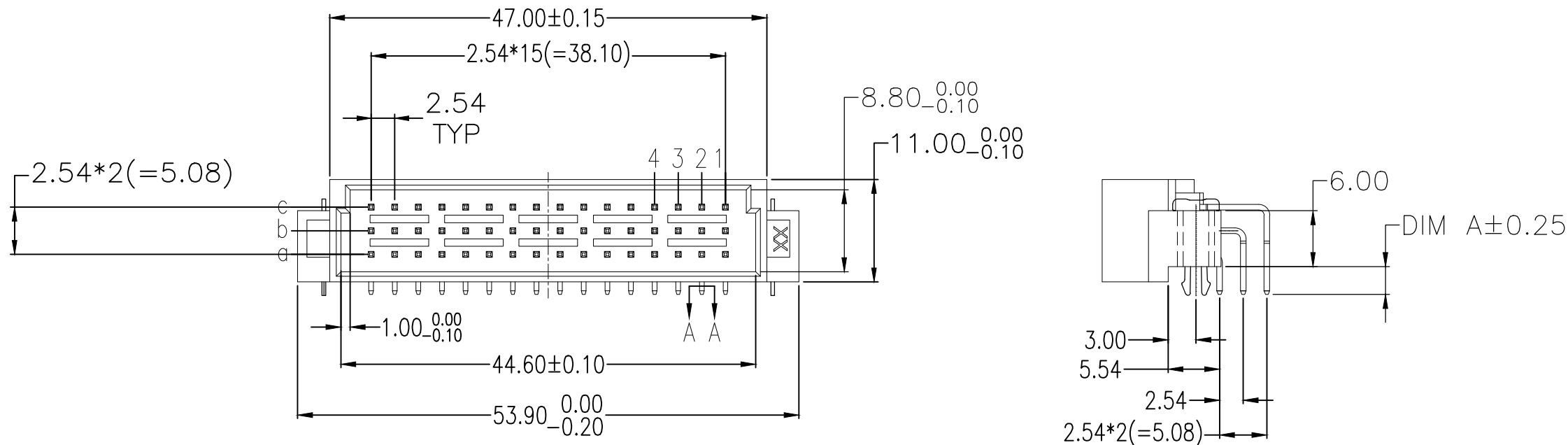
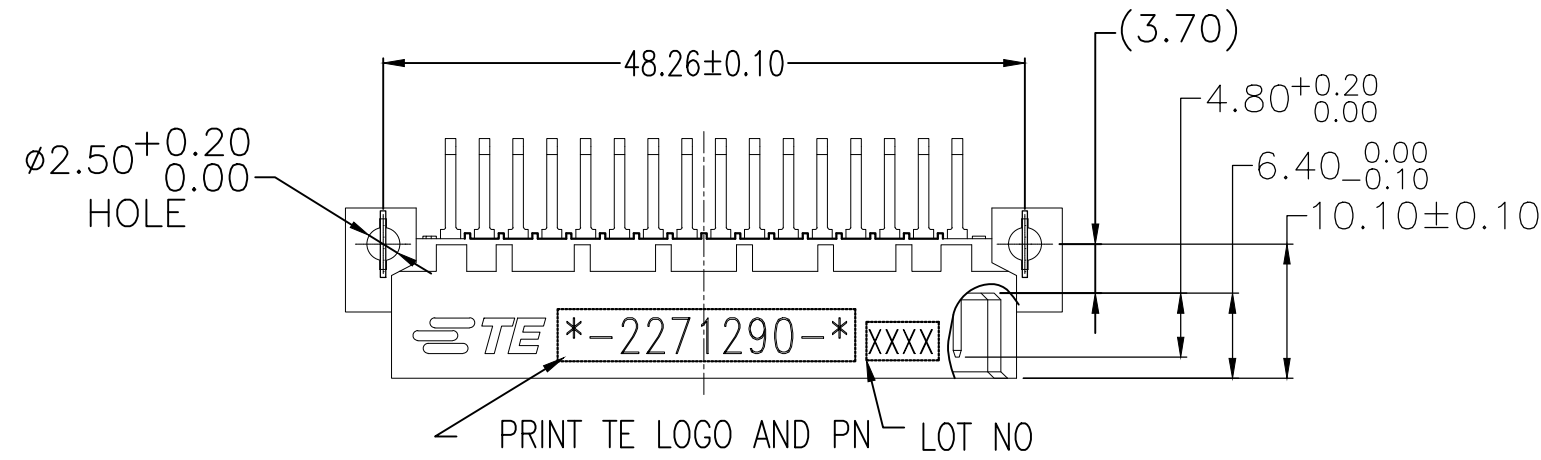
THIS DRAWING IS UNPUBLISHED. RELEASED FOR PUBLICATION
 © COPYRIGHT - By - ALL RIGHTS RESERVED.

LOC		DIST		REVISIONS			
P	LTR	DESCRIPTION	DATE	DWN	APVD		
A		INITIAL RELEASED	2016-2-3	AY	RB		

NOTES:

- PRODUCT SPECIFICATION:
 CURRENT RATING: 2.0AMP
 CONTACT RESISTANCE: 20mΩ MAX
 WITHSTAND VOLTAGE: 1000V AC/DC
 INSULATION RESISTANCE: 10E6MΩ MIN
 OPERATING TEMPERATURE: -55°C to +105°C
 RECOMMEND SOLDERING PROCESS: WAVE SOLDERING
 PEAK TEMPERATURE: 250°C

- MATERIAL
 CONTACT: COPPER ALLOY
 HOUSING: LOW-TEMPERATURE MATERIAL UL94V-0
- 1.27um MIN NICKEL PER TEC-112-25 UNDERPLATE ALL OVER
- 2.54um MIN TIN PER TEC-112-65 ON SOLDERING AREA
- 0.76um MIN GOLD PER TEC-112-162 ON CONTACT AREA
- 0.25um MIN GOLD PER TEC-112-162 ON CONTACT AREA
- 0.076um MIN GOLD FLASH PER TEC-112-33 ON CONTACT AREA
- PARTS MUST CONFORM TO DIN41612/IEC60603-2
- PART NO X-2271290-1,-2 IS NOT RELEASED



RECOMMENDED PCB LAYOUT

DIM.A	FINISH	ROWS LOADED	POS	PN
4.57	3 4 5	abc	48	8-2271290-2
4.57	3 4 6	abc	48	8-2271290-1
4.57	3 4 7	abc	48	8-2271290-0
4.57	3 4 5	a c	32	7-2271290-2
4.57	3 4 6	a c	32	7-2271290-1
4.57	3 4 7	a c	32	7-2271290-0
4.0	3 4 5	abc	48	6-2271290-2
4.0	3 4 6	abc	48	6-2271290-1
4.0	3 4 7	abc	48	6-2271290-0
4.0	3 4 5	a c	32	5-2271290-2
4.0	3 4 6	a c	32	5-2271290-1
4.0	3 4 7	a c	32	5-2271290-0
3.0	3 4 5	abc	48	4-2271290-2
3.0	3 4 6	abc	48	4-2271290-1
3.0	3 4 7	abc	48	4-2271290-0
3.0	3 4 5	a c	32	3-2271290-2
3.0	3 4 6	a c	32	3-2271290-1
3.0	3 4 7	a c	32	3-2271290-0
2.5	3 4 5	abc	48	2-2271290-2
2.5	3 4 6	abc	48	2-2271290-1
2.5	3 4 7	abc	48	2-2271290-0
2.5	3 4 5	a c	32	1-2271290-2
2.5	3 4 6	a c	32	1-2271290-1
2.5	3 4 7	a c	32	1-2271290-0

THIS DRAWING IS A CONTROLLED DOCUMENT.		DWN ANDY YANG 27JAN2016	TE Connectivity		
DIMENSIONS: mm		CHK RICK BIAN			
TOLERANCES UNLESS OTHERWISE SPECIFIED:		APVD XIANG XU	NAME DIN CONNECTOR, TYPE 2C, 48 PIN HEADER, RIGHT ANGLE WITH CLIPS		
0 PLC ± - 1 PLC ± - 2 PLC ± 0.25 3 PLC ± - 4 PLC ± - ANGLES ± 3		PRODUCT SPEC 108-137009	SIZE A2	CAGE CODE 00779	DRAWING NO C=2271290
MATERIAL SEE NOTE		FINISH SEE NOTE	WEIGHT -	RESTRICTED TO -	
		CUSTOMER DRAWING	SCALE 1:1	SHEET 1 OF 1	REV A

X-ON Electronics

Largest Supplier of Electrical and Electronic Components

Click to view similar products for [DIP Switches/SIP Switches](#) category:

Click to view products by [TE Connectivity](#) manufacturer:

Other Similar products are found below :

[78M03S](#) [79B10T](#) [8136-475G4T](#) [G7G-1A2-CB-DC12](#) [H7CZL8AC100240](#) [A7SS-M](#) [A8CA-201](#) [DRR60016](#) [DRS4016](#) [1825008-1](#) [1825444-1](#) [25.350.0653.0](#) [SDA10H1BDA](#) [97R06ST](#) [A2C-2A5](#) [1825444-7](#) [ADE08SA04](#) [ADE12S04](#) [192960010](#) [2-1825058-8](#) [25.330.0653.1](#) [25.352.0353.0](#) [CXDRIVEV2X](#) [IKN0600000](#) [IKN0800000](#) [LA2-002-DC24](#) [DBS1003](#) [438872000](#) [DRD10CRAE04](#) [DSR02T](#) [DSS 208 N](#) [E2FMX2D1M1TGJ03M](#) [NDI10H](#) [219-9MSTP](#) [204-6ES](#) [EPM02FV](#) [701521596](#) [NDS08V](#) [76SB05](#) [79A10](#) [TD06H0SK1](#) [Z7.255.9027.0](#) [1-1825058-3](#) [1825428-4](#) [219-10LPSTF](#) [E3ZG6111D03M](#) [G4D212PUSTV2DC5](#) [195-7MSTN](#) [NDI05H](#) [EPG301BT06](#)