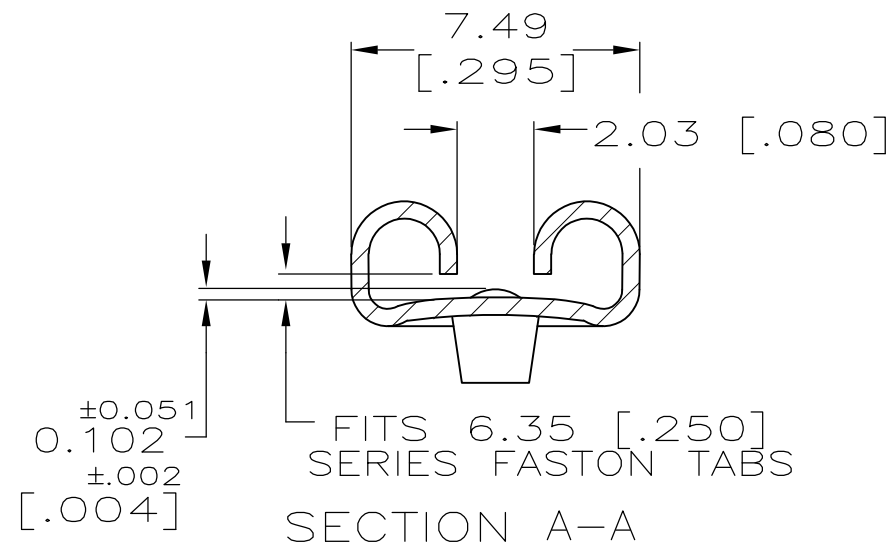
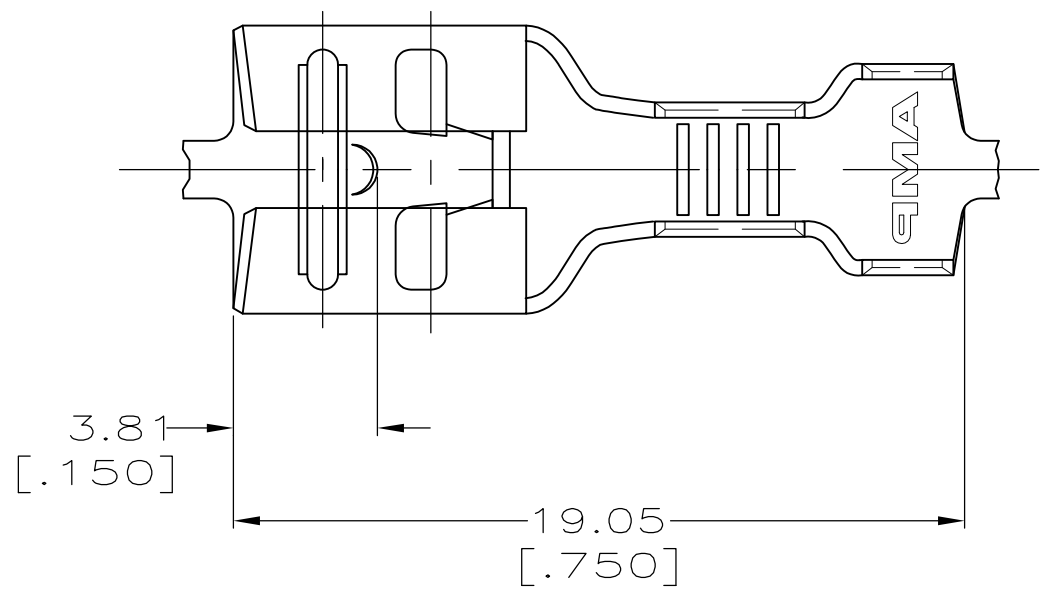
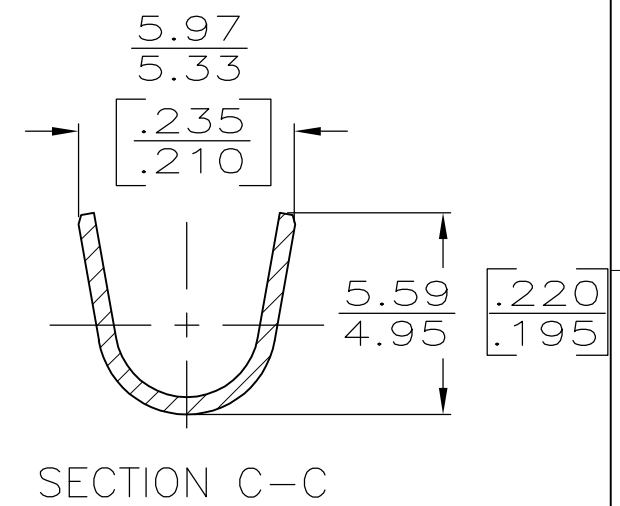
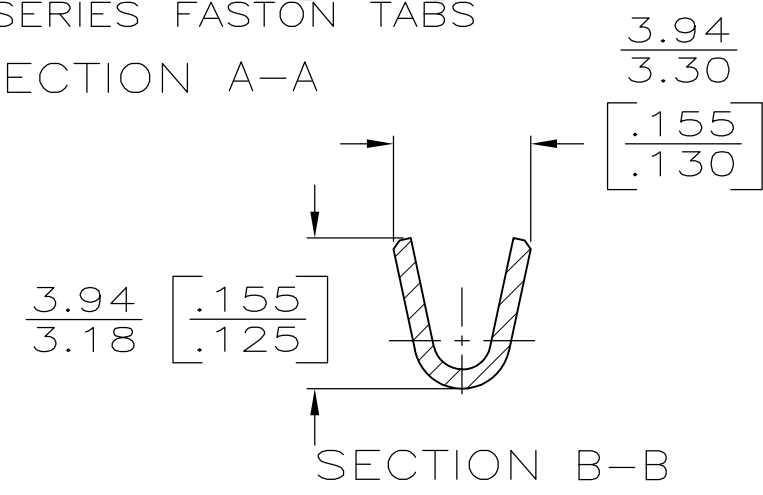
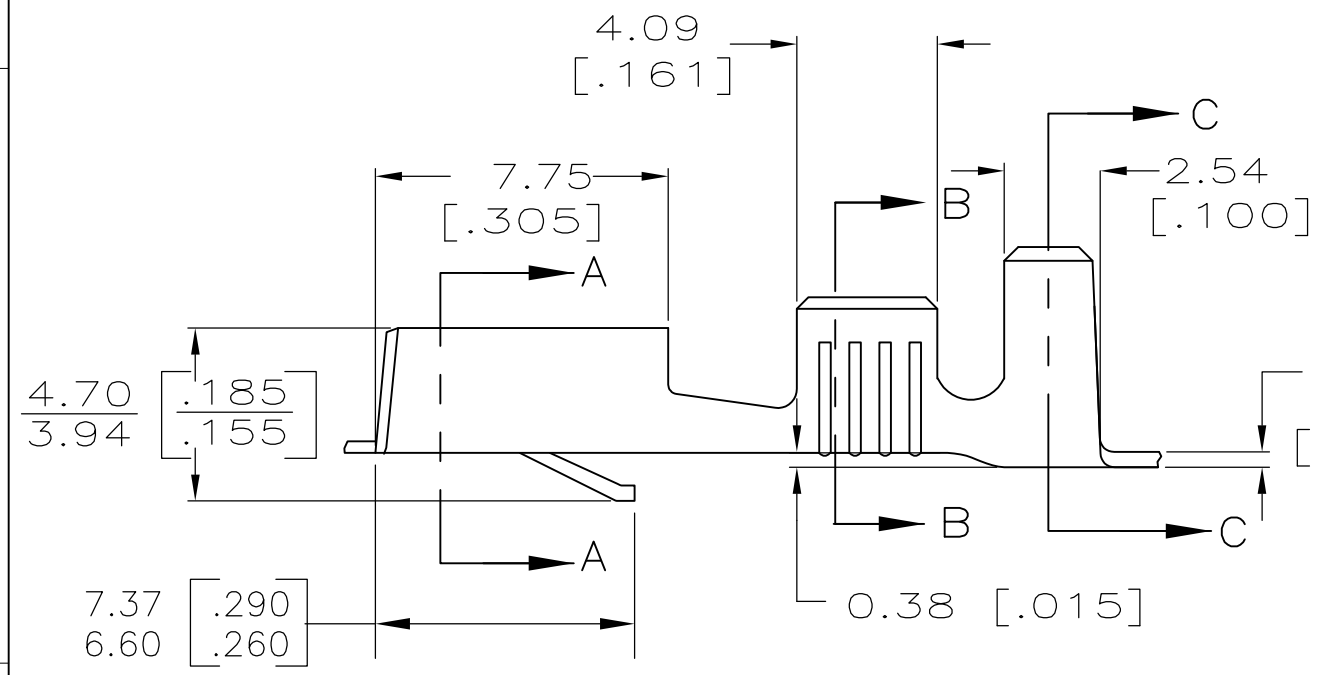


THIS DRAWING IS UNPUBLISHED. RELEASED FOR PUBLICATION
 © COPYRIGHT - By - ALL RIGHTS RESERVED.

LOC	DIST	REVISIONS					
AF	50	P	LTR	DESCRIPTION	DATE	DWN	APVD
		AN		REVISED PER ECR-13-005733	22AUG13	KH	PD



- 1 CONTINUOUS STRIP ON REELS.
- 2 PREPRODUCTION - FASR REQ
- 3 MATING TAB THK TO BE: 0.81±0.025 [.032±.001].
- 4 REDUCED PACKAGE QUANTITY
- 5 PRELIMINARY - NOT FOR PRODUCTION
- 6 OBSOLETE PARTS: OBSOLETE CIS STREAMLINING PER D.RENAUD/D.SINISI



±0.025
0.41 ±.001
[.016]
SUPERSEDED BY 42281-2

SUPERSEDED	2.54 - 4.32 [.100-.170]	0.8-2.0mm ² [18-14]	TIN	BRASS	4 5 42281-8
			TIN	H03 PHOS BRZ	42281-7
			SILVER	H03 PHOS BRZ	2 6 42281-6
			-	H03 PHOS BRZ	42281-5
			SILVER	H04 BRASS	42281-3
			TIN	BRASS	42281-2
			-	BRASS	42281-1
			INSULATION RANGE	WIRE SIZE	FINISH

0	4.57 [.180]	5.59 [.220]	F	2.79 [.110]	1.40 [.055]	[#18]
					1.55 [.061]	[#16]
					1.78 [.070]	[#14]
TYPE	WIDTH	±0.38 [±.015] STRIP LENGTH	TYPE	WIDTH	±0.51 [.002] HEIGHT	WIRE
INSUL BARREL CRIMP	WIRE BARREL CRIMP					

THIS DRAWING IS A CONTROLLED DOCUMENT.

DIMENSIONS: MM [INCHES]

TOLERANCES UNLESS OTHERWISE SPECIFIED:

0 PLC ± -
1 PLC ± -
2 PLC ± 0.25 [.010]
3 PLC ± -
4 PLC ± -
ANGLES ± -

MATERIAL: SEE TABLE

FINISH: SEE TABLE

DWN JR RUTH 9/17/90
 CHK MS FEHER 9/17/90
 APVD RON KUZO 9/17/90
 PRODUCT SPEC
 APPLICATION SPEC 114-2025
 WEIGHT -

STE TE Connectivity

RECEPTACLE, FASTIN-FASTON,
6.35 [.250] SERIES

SIZE: A3 CAGE CODE: 00779 DRAWING NO: C-42281 RESTRICTED TO: -

CUSTOMER DRAWING SCALE: 5:1 SHEET: 1 OF 1 REV: AN

X-ON Electronics

Largest Supplier of Electrical and Electronic Components

Click to view similar products for [Terminals](#) category:

Click to view products by [TE Connectivity](#) manufacturer:

Other Similar products are found below :

[00-054007-01074-6](#) [00-054007-70206-1](#) [00-054007-70210-8](#) [00-054007-70217-7](#) [00-054007-70226-9](#) [00-054007-70228-3](#) [00-054007-70248-1](#) [00-054007-70256-6](#) [00-054007-70301-3](#) [00-054007-70316-7](#) [0-0320562-0](#) [00-054007-49560-4](#) [00-054007-70209-2](#) [00-054007-70225-2](#) [00-054007-70227-6](#) [00-054007-70231-3](#) [00-054007-70241-2](#) [00-054007-70242-9](#) [00-054007-70244-3](#) [00-054007-70246-7](#) [00-054007-70263-4](#) [00-054007-70288-7](#) [00-054007-70290-0](#) [00-054007-70300-6](#) [00-054007-70304-4](#) [01-2065-1-0216](#) [01-2900-1-04412](#) [00581P0075](#) [600TS-10](#) [60205-1](#) [604200-1](#) [605601-1](#) [60598-1-CUT-TAPE](#) [61314-6-C](#) [61810-3](#) [61-S](#) [61-SN](#) [626-0194](#) [62-NBM-A](#) [62-SN](#) [62-SP](#) [63-S](#) [640179-1](#) [M55155/059I03](#) [M55155/079C01](#) [M55155/099H02](#) [M55155/109H01](#) [M55155/109H02](#) [M55155/12XH05](#) [M55155/16XH02](#)