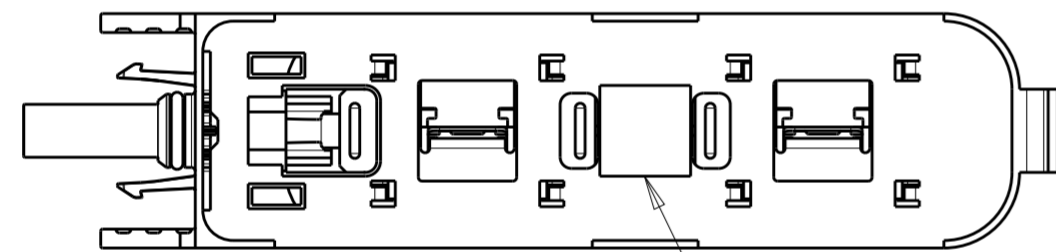
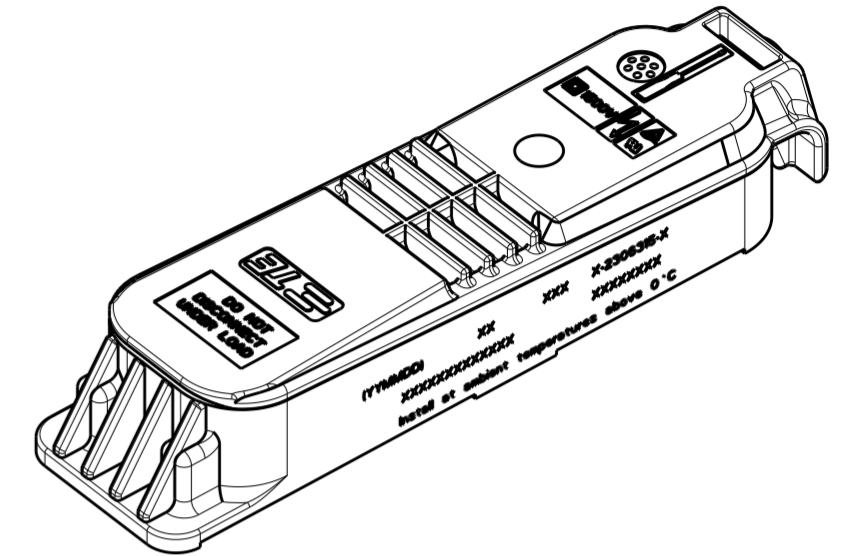
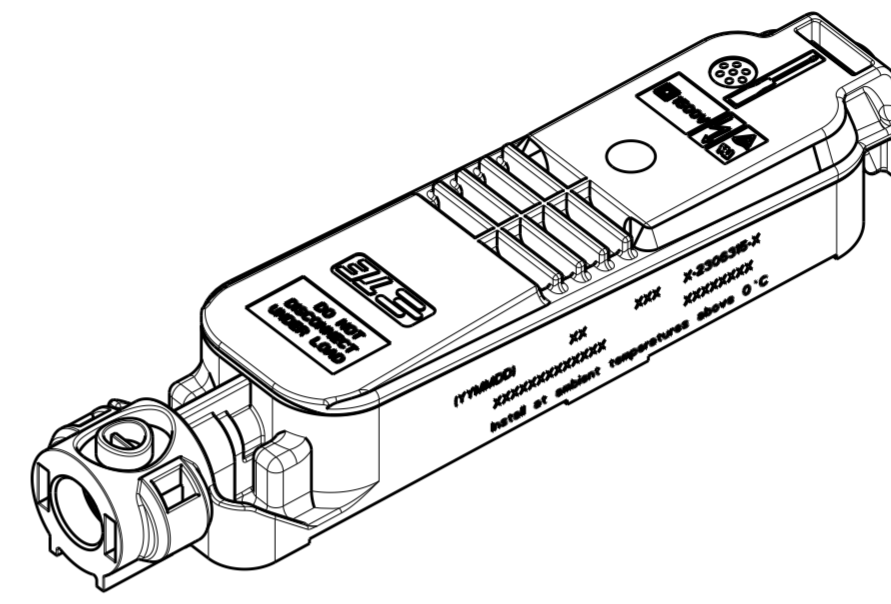
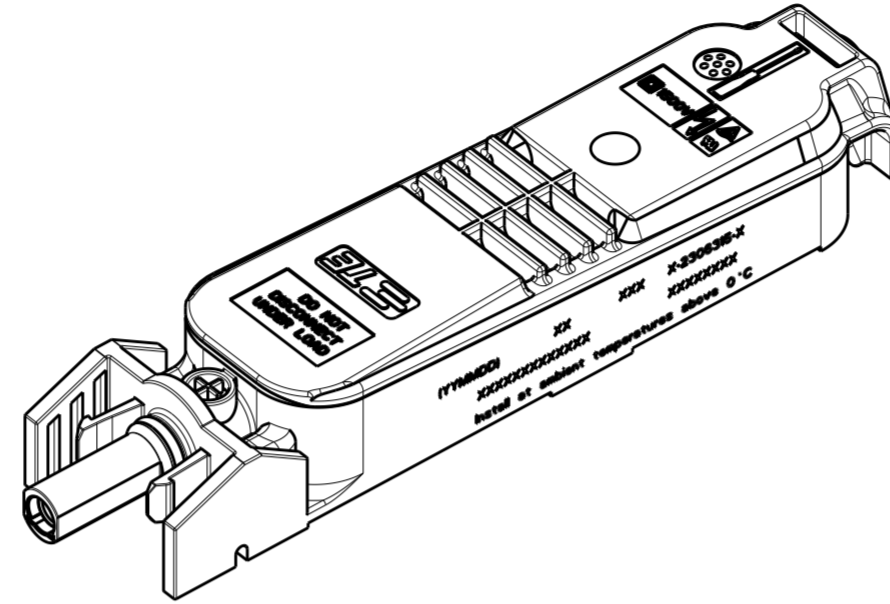


THIS DRAWING IS UNPUBLISHED. RELEASED FOR PUBLICATION  
 © COPYRIGHT copyright.d8Te- ALL RIGHTS RESERVED.

| REVISIONS |     |                         |           |     |      |
|-----------|-----|-------------------------|-----------|-----|------|
| P         | LTR | DESCRIPTION             | DATE      | DWN | APVD |
|           | A   | RELEASED FOR PRODUCTION | 23OCT2017 | RK  | PO   |

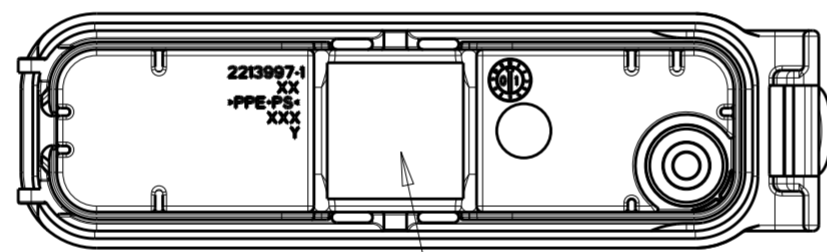
NOTES:

- ① LID NOT ASSEMBLED WITH LOWER PART. ENCLOSED LOOSELY
- ② FLAP NOT ASSEMBLED WITH LOWER PART. ENCLOSED LOOSELY
- ③ PART NUMBER.
- ④ PRODUCTION DATE (YYMMDD)
- ⑤ MANUFACTURING LOCATION CODE.
- ⑥ FOIL CLIP INSTALLED ON BOX CONTACT RAILS
- ⑦ MODEL CODE ACCORDING TE-SPEC. 404-74000-1
- ⑧ CONSECUTIVE SERIAL NUMBER
- ⑨ TEST EQUIPMENT NUMBER
- ⑩ DIODES WELDED ON CONTACT RAIL.
- 11. MUST COMPLY WITH DIRECTIVE 2002/95/EC (ROHS).
- 12. THIS PRODUCT HAS NOT COMPLETED VALIDATION TESTING.



MOUNTING TAPE

BOTTOM VIEW OF TYPICAL ASSEMBLY WHEN MOUNTING TAPE IS APPLIED



THERMAL INTERFACE MATERIAL

BOTTOM VIEW OF LID SUBASSEMBLY WHEN THERMAL INTERFACE MATERIAL IS APPLIED

|                |       |                         |               |                            |             |
|----------------|-------|-------------------------|---------------|----------------------------|-------------|
| PVEDGE2GGA1V_2 | 36.0  | EAST/WEST               | YES           | YES                        | 7-2306315-5 |
| PVEDGE2DGA1V_2 | 55.2  | EAST/WEST               | YES           | YES                        | 7-2306315-2 |
| PVEDGE2FGA1V_2 | 58.7  | EAST/WEST               | YES           | YES                        | 7-2306315-1 |
| PVEDGE2GGA1V_2 | 36.0  | EAST/WEST               | NO            | YES                        | 6-2306315-5 |
| PVEDGE2DGA1V_2 | 55.2  | EAST/WEST               | NO            | YES                        | 6-2306315-2 |
| PVEDGE2FGA1V_2 | 58.7  | EAST/WEST               | NO            | YES                        | 6-2306315-1 |
| PVEDGE2DGA1T_2 | 36.0  | EAST/WEST               | YES           | NO                         | 5-2306315-5 |
| PVEDGE2DGA1T_2 | 55.2  | EAST/WEST               | YES           | NO                         | 5-2306315-2 |
| PVEDGE2FGA1T_2 | 58.7  | EAST/WEST               | YES           | NO                         | 5-2306315-1 |
| PVEDGE2GGA1T_2 | 36.0  | EAST/WEST               | NO            | NO                         | 4-2306315-5 |
| PVEDGE2DGA1T_2 | 55.2  | EAST/WEST               | NO            | NO                         | 4-2306315-2 |
| PVEDGE2FGA1T_2 | 58.7  | EAST/WEST               | NO            | NO                         | 4-2306315-1 |
| PVEDGE2GGA1V_2 | 36.0  | NORTH/SOUTH             | YES           | YES                        | 3-2306315-5 |
| PVEDGE2DGA1V_2 | 55.2  | NORTH/SOUTH             | YES           | YES                        | 3-2306315-2 |
| PVEDGE2FGA1V_2 | 58.7  | NORTH/SOUTH             | YES           | YES                        | 3-2306315-1 |
| PVEDGE2GGA1V_2 | 36.0  | NORTH/SOUTH             | NO            | YES                        | 2-2306315-5 |
| PVEDGE2DGA1V_2 | 55.2  | NORTH/SOUTH             | NO            | YES                        | 2-2306315-2 |
| PVEDGE2FGA1V_2 | 58.7  | NORTH/SOUTH             | NO            | YES                        | 2-2306315-1 |
| PVEDGE2GGA1T_2 | 36.0  | NORTH/SOUTH             | YES           | NO                         | 1-2306315-5 |
| PVEDGE2DGA1T_2 | 55.2  | NORTH/SOUTH             | YES           | NO                         | 1-2306315-2 |
| PVEDGE2FGA1T_2 | 58.7  | NORTH/SOUTH             | YES           | NO                         | 1-2306315-1 |
| PVEDGE2GGA1T_2 | 36.0  | NORTH/SOUTH             | NO            | NO                         | 2306315-5   |
| PVEDGE2DGA1T_2 | 55.2  | NORTH/SOUTH             | NO            | NO                         | 2306315-2   |
| PVEDGE2FGA1T_2 | 58.7  | NORTH/SOUTH             | NO            | NO                         | 2306315-1   |
| MODEL CODE ⑦   | DIM X | PV PANEL FOIL DIRECTION | MOUNTING TAPE | THERMAL INTERFACE MATERIAL | PART NO.    |

|                 |                 |                            |          |
|-----------------|-----------------|----------------------------|----------|
| TIN OVER NICKEL | COPPER ALLOY    | INTERFACE CONTACT-SOCKET   | 11       |
| TIN OVER NICKEL | COPPER ALLOY    | INTERFACE CONTACT-PIN      | 10       |
| -               | -               | THERMAL INTERFACE MATERIAL | 9        |
| -               | -               | BYPASS DIODE: TYPE SL2020A | 8        |
| GRAY            | PPE+PS          | MEMBRANE RETAINER          | 7        |
| -               | -               | MEMBRANE VENT              | 6        |
| PLAIN           | STAINLESS STEEL | FOIL CLIP                  | 5 ⑥      |
| TIN             | COPPER ALLOY    | CONTACT RAIL               | 4        |
| BLACK           | PPE+PS          | BOX, LOWER HOUSING         | 3        |
| RED             | SILICONE        | O-RING SEAL                | 2        |
| BLACK           | PPE+PS          | BOX, LID                   | 1 ①      |
| COLOR/FINISH    | MATERIAL        | DESCRIPTION                | ITEM NO. |

THIS DRAWING IS A CONTROLLED DOCUMENT.

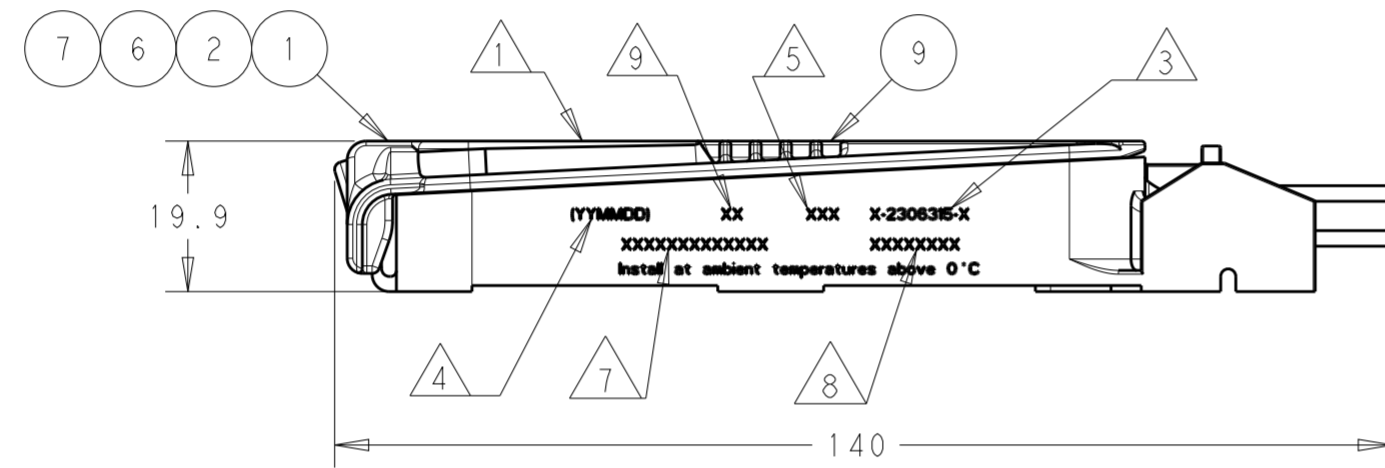
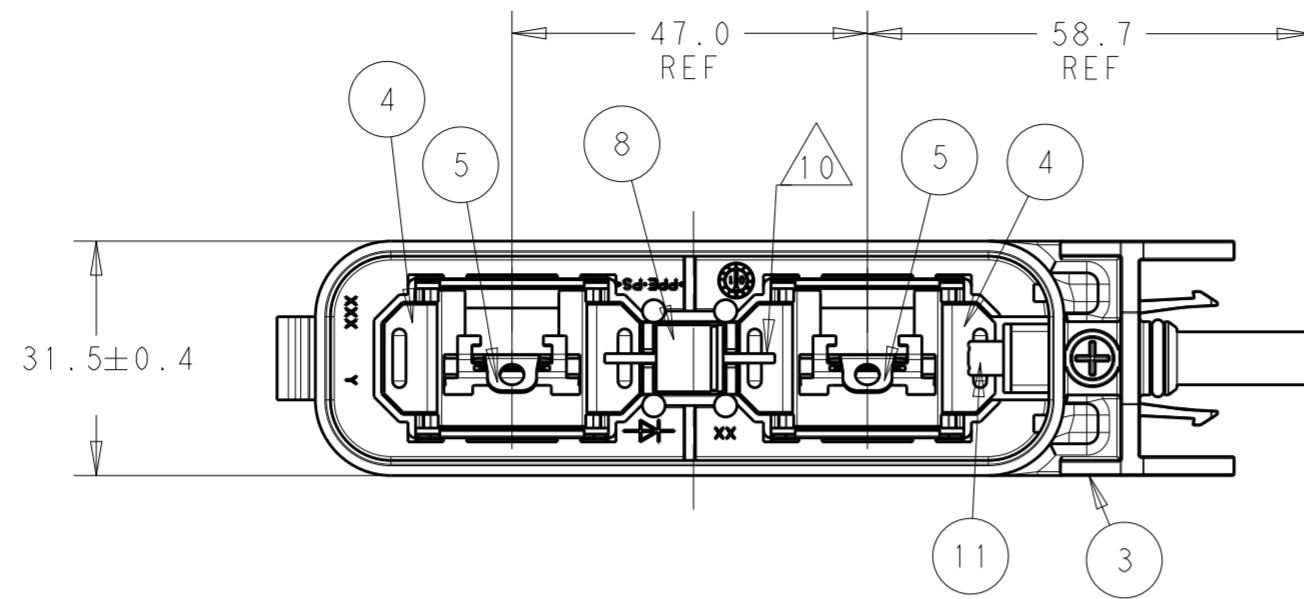
|                  |   |  |   |
|------------------|---|--|---|
| DIMENSIONS: mm   | TOLERANCES UNLESS OTHERWISE SPECIFIED:<br>0 PLC ±0.50<br>1 PLC ±0.25<br>2 PLC ±0.13<br>3 PLC ±<br>4 PLC ±<br>ANGLES ±<br>FINISH | DWN RAVLS 12AUG2016<br>CHK GINGRICH CHUCK 12AUG2016<br>APVD GINGRICH CHUCK 12AUG2016 | NAME PV EDGE ASSEMBLY, WITHOUT FLAP, S CLIP               |
| MATERIAL ①       |   | PRODUCT SPEC 108-32122<br>APPLICATION SPEC 114-32157<br>WEIGHT -                     | SIZE A2 CAGE CODE - DRAWING NO. C-2306315 RESTRICTED TO - |
| CUSTOMER DRAWING |   | SCALE 1:1  | SHEET 1 OF 4 REV A  |

STE TE Connectivity

THIS DRAWING IS UNPUBLISHED. RELEASED FOR PUBLICATION  
 © COPYRIGHT copyright.d8Te- ALL RIGHTS RESERVED.

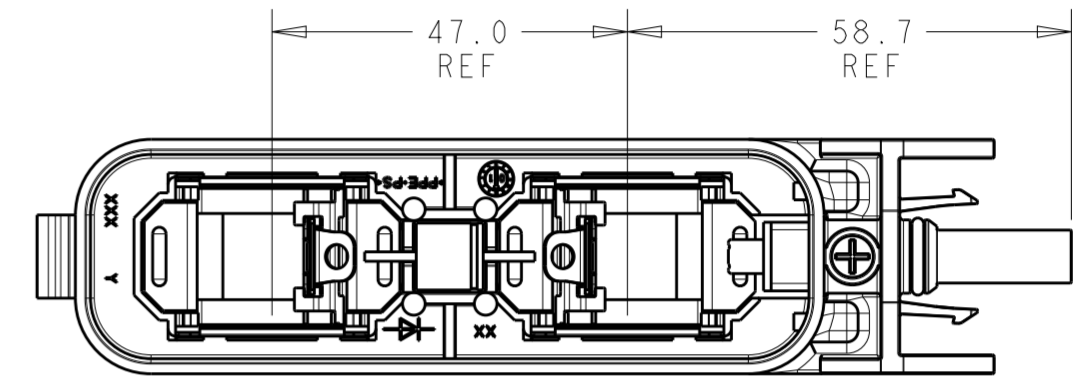
| REVISIONS |     |             |      |      |
|-----------|-----|-------------|------|------|
| P         | LTR | DESCRIPTION | DATE | APVD |
| -         |     | SEE SHEET 1 | -    | -    |
|           |     |             |      |      |
|           |     |             |      |      |

LID NOT SHOWN FOR REFERENCE ONLY



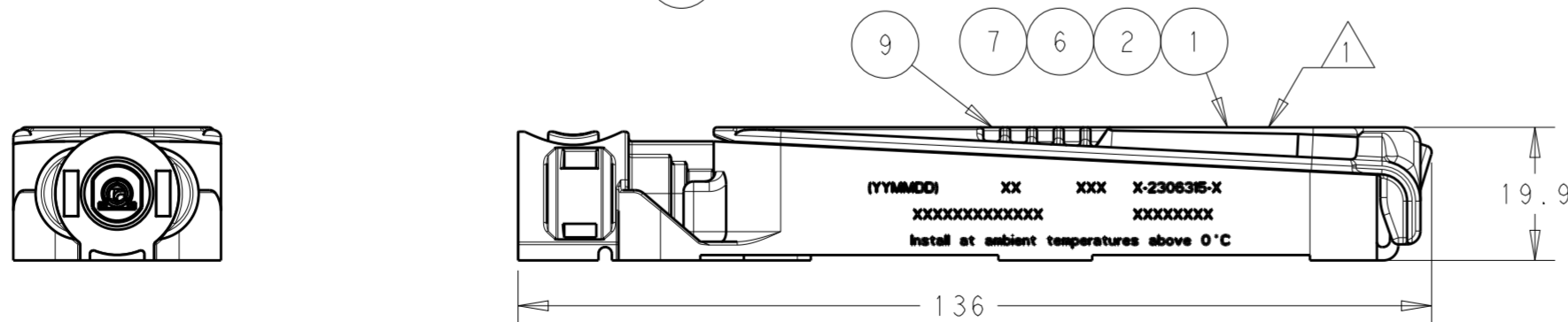
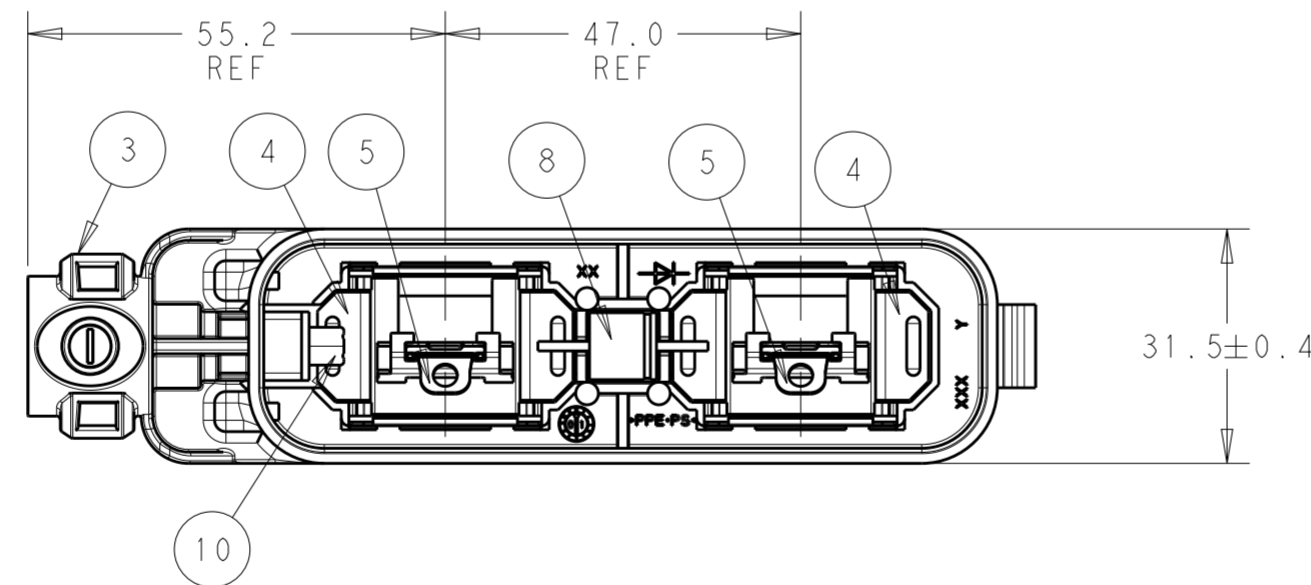
NORTH-SOUTH VERSIONS  
 2306315-1  
 1-2306315-1  
 2-2306315-1  
 3-2306315-1  
 SHOWN

LID NOT SHOWN FOR REFERENCE ONLY



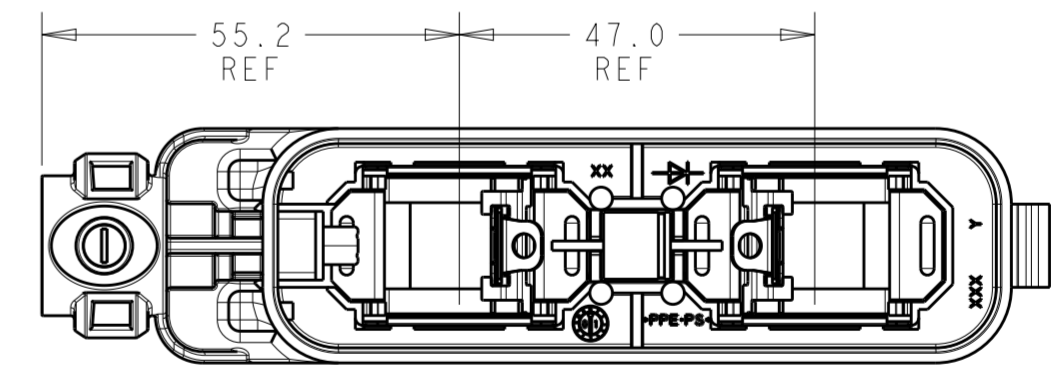
EAST-WEST VERSIONS  
 4-2306315-1  
 5-2306315-1  
 6-2306315-1  
 7-2306315-1  
 SAME AS N-S VERSIONS  
 EXCEPT AS SHOWN

LID NOT SHOWN FOR REFERENCE ONLY



NORTH-SOUTH VERSIONS  
 2306315-2  
 1-2306315-2  
 2-2306315-2  
 3-2306315-2  
 SHOWN

LID NOT SHOWN FOR REFERENCE ONLY



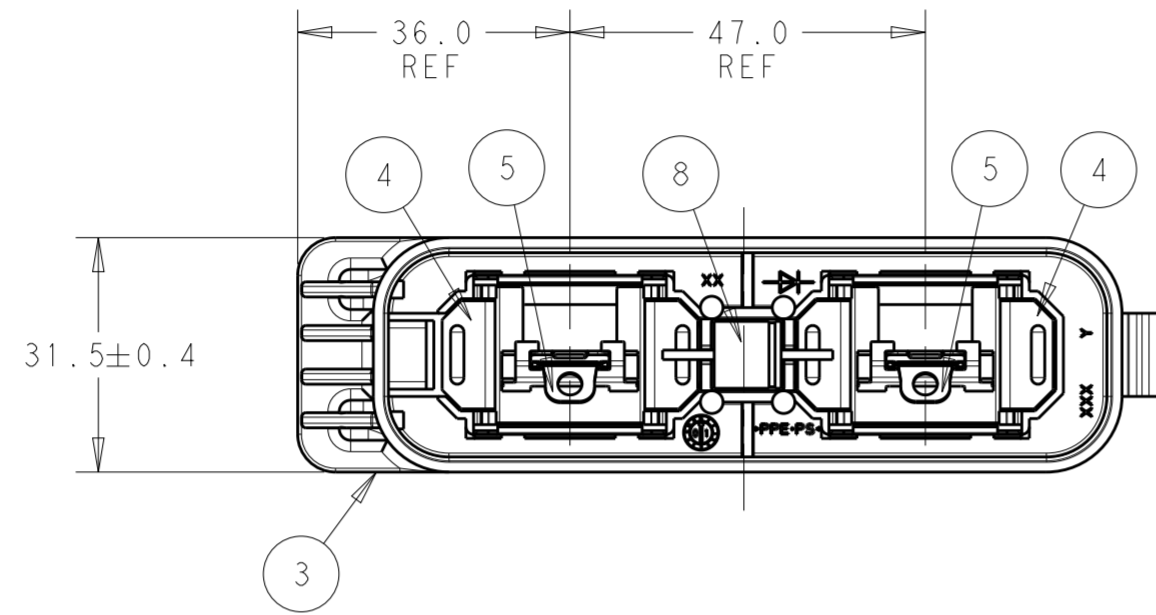
EAST-WEST VERSIONS  
 4-2306315-2  
 5-2306315-2  
 6-2306315-2  
 7-2306315-2  
 SAME AS N-S VERSIONS  
 EXCEPT AS SHOWN

|  |  |                                     |   |                         |
|--|--|-------------------------------------|---|-------------------------|
| THIS DRAWING IS A CONTROLLED DOCUMENT. |  | DWN<br>RAVLS<br>12AUG2016           | TE Connectivity                                   |                         |
| DIMENSIONS:<br>mm                      |  | CHK<br>GINGRICH CHUCK<br>12AUG2016  |   |                         |
| TOLERANCES UNLESS OTHERWISE SPECIFIED: |  | APVD<br>GINGRICH CHUCK<br>12AUG2016 | NAME<br>PV EDGE ASSEMBLY, WITHOUT FLAP,<br>S CLIP |                         |
|  |  | PRODUCT SPEC<br>108-32122           | SIZE<br>A2  |                         |
| MATERIAL                               |  | APPLICATION SPEC<br>114-32157       | CAGE CODE<br>-                                    | DRAWING NO<br>G-2306315 |
|  |  | WEIGHT<br>-                         | RESTRICTED TO<br>-                                |                         |
|  |  | CUSTOMER DRAWING                    | SCALE<br>5:1                                      | SHEET<br>2 OF 4         |
|  |  |                                     | REV<br>A  |                         |

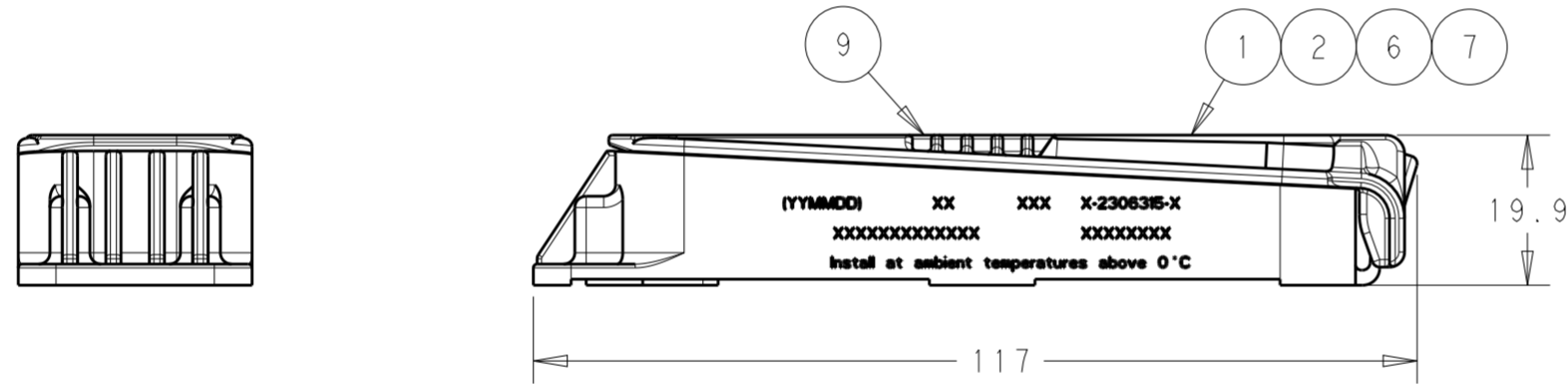
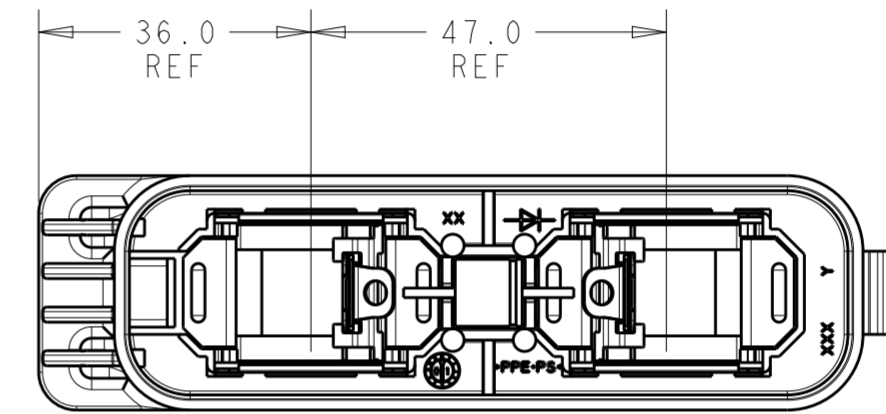
THIS DRAWING IS UNPUBLISHED. RELEASED FOR PUBLICATION  
 © COPYRIGHT copyright.d8te- ALL RIGHTS RESERVED.

| REVISIONS |     |             |      |      |
|-----------|-----|-------------|------|------|
| P         | LTR | DESCRIPTION | DATE | APVD |
| -         |     | SEE SHEET 1 | -    | -    |
|           |     |             |      |      |
|           |     |             |      |      |

LID NOT SHOWN FOR REFERENCE ONLY



LID NOT SHOWN FOR REFERENCE ONLY



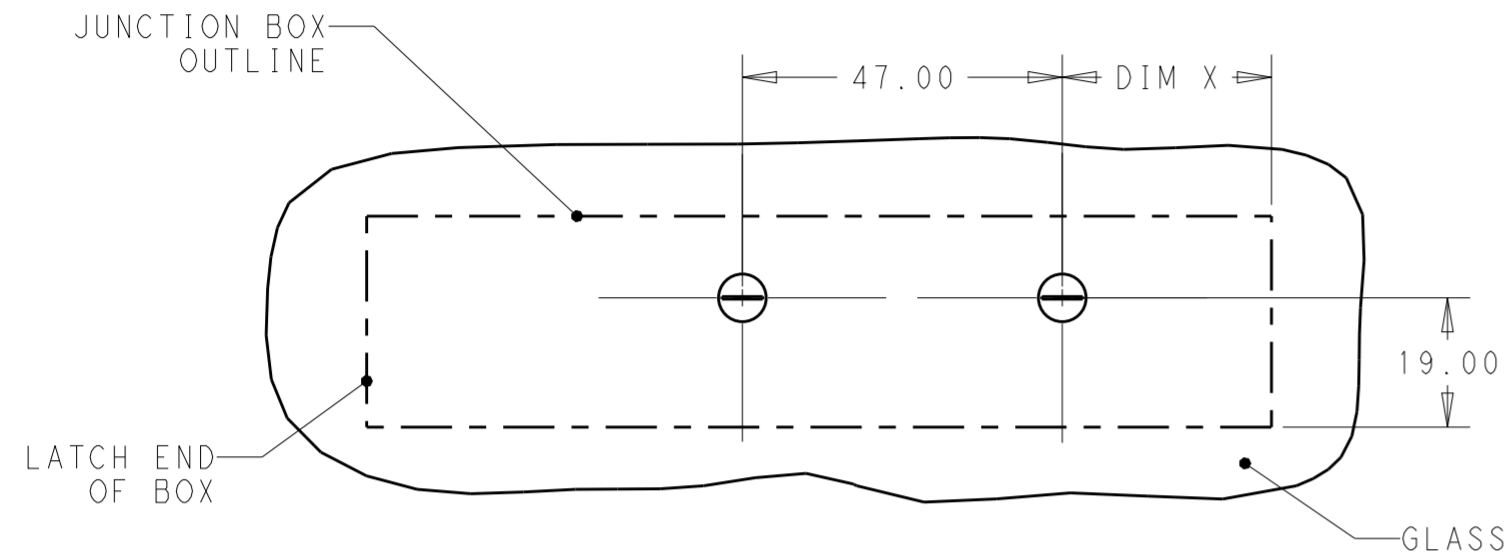
EAST-WEST VERSIONS  
 4-2306315-5  
 5-2306315-5  
 6-2306315-5  
 7-2306315-5  
 SAME AS N-S VERSIONS  
 EXCEPT AS SHOWN

NORTH-SOUTH VERSIONS  
 2306315-5  
 1-2306315-5  
 2-2306315-5  
 3-2306315-5  
 SHOWN

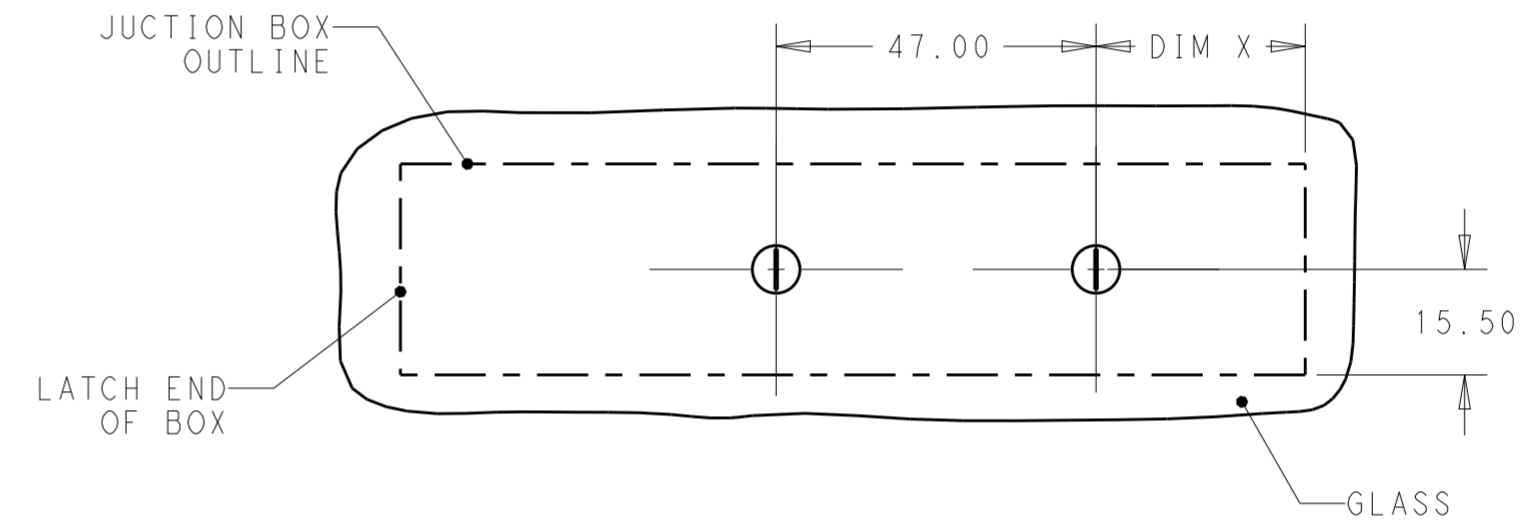
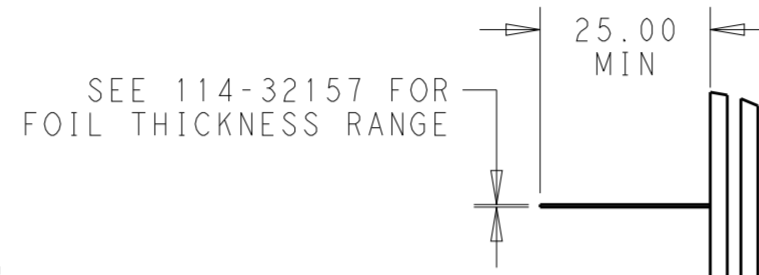
|  |  |                                     |   |  |
|--|--|-------------------------------------|---|--|
| THIS DRAWING IS A CONTROLLED DOCUMENT. |  | DWN<br>RAVI.S<br>12AUG2016          | TE Connectivity                                   |  |
| DIMENSIONS:<br>mm                      |  | CHK<br>GINGRICH CHUCK<br>12AUG2016  |   |  |
| TOLERANCES UNLESS OTHERWISE SPECIFIED: |  | APVD<br>GINGRICH CHUCK<br>12AUG2016 | NAME<br>PV EDGE ASSEMBLY, WITHOUT FLAP,<br>S CLIP |  |
| 0 PLC ±0.50                            |  | PRODUCT SPEC<br>108-32122           | SIZE<br>A2  |  |
| 1 PLC ±0.25                            |  | APPLICATION SPEC<br>114-32157       | CAGE CODE<br>-                                    |  |
| 2 PLC ±0.13                            |  | WEIGHT<br>-                         | DRAWING NO<br>C-2306315                           |  |
| 3 PLC ±                                |  | CUSTOMER DRAWING                    | RESTRICTED TO<br>-                                |  |
| 4 PLC ±                                |  |                                     | SCALE<br>5:1                                      |  |
| ANGLES ±                               |  |                                     | SHEET<br>3 OF 4                                   |  |
| FINISH -                               |  |                                     | REV<br>A  |  |

THIS DRAWING IS UNPUBLISHED. RELEASED FOR PUBLICATION  
 © COPYRIGHT copyright.d8te- ALL RIGHTS RESERVED.

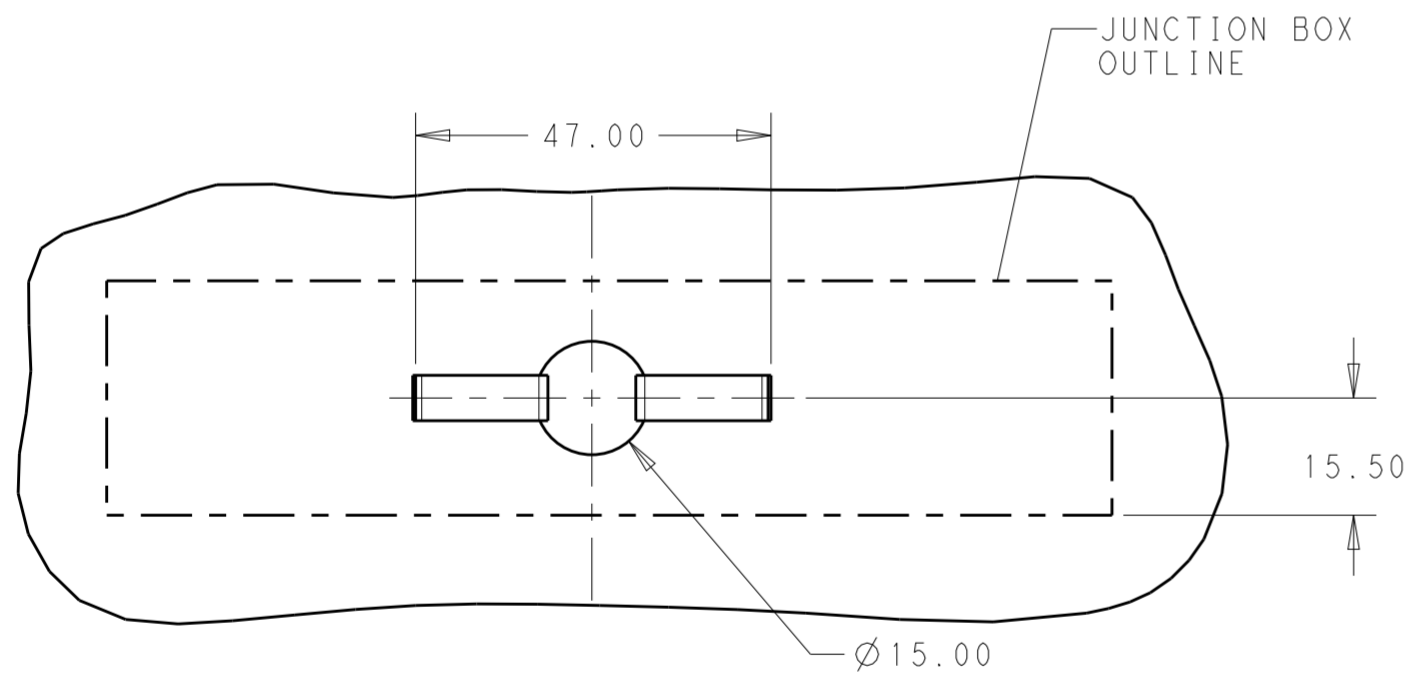
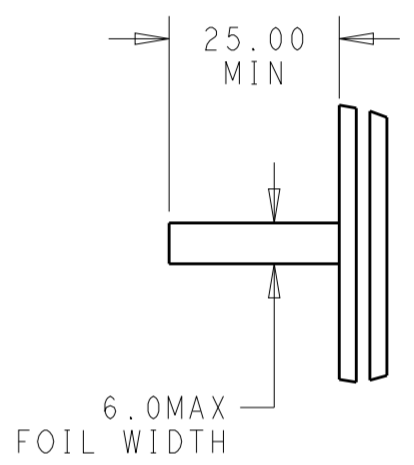
| REVISIONS |     |             |      |      |
|-----------|-----|-------------|------|------|
| P         | LTR | DESCRIPTION | DATE | APVD |
| -         |     | SEE SHEET 1 | -    | -    |
|           |     |             |      |      |
|           |     |             |      |      |



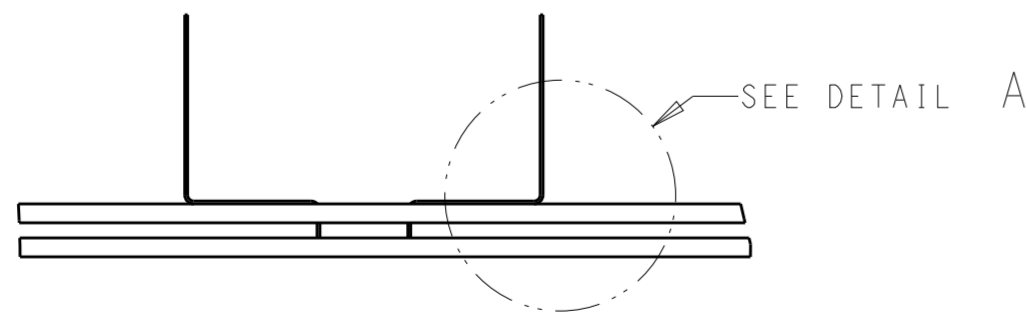
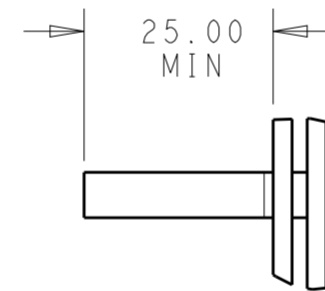
RECOMMENDED NON-EDGE MOUNT  
 (NORTH-SOUTH PV PANEL FOIL ORIENTATION)



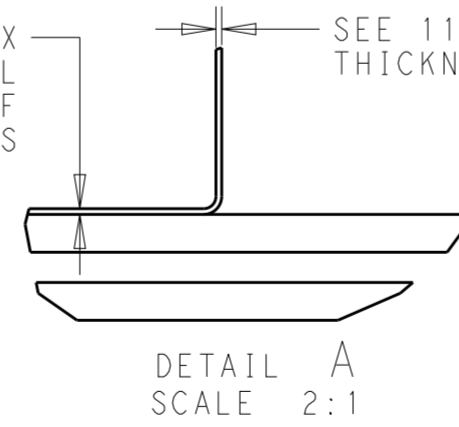
RECOMMENDED NON-EDGE MOUNT  
 (EAST-WEST PV PANEL FOIL ORIENTATION)



RECOMMENDED NON-EDGE MOUNT  
 (SINGLE HOLE ORIENTATION)



0.8 MAX TO BOTTOM SIDE OF FOIL FROM BOTTOM SIDE OF GLASS  
 SEE 114-32157 FOR FOIL THICKNESS RANGE



DETAIL A  
 SCALE 2:1

|   |  |                                     |   |                    |
|---|--|-------------------------------------|---|--------------------|
| THIS DRAWING IS A CONTROLLED DOCUMENT.  |  | DWN<br>RAVI.S<br>12AUG2016          | TE Connectivity                                   |                    |
|   |  | CHK<br>GINGRICH CHUCK<br>12AUG2016  |   |                    |
|   |  | APVD<br>GINGRICH CHUCK<br>12AUG2016 | NAME<br>PV EDGE ASSEMBLY, WITHOUT FLAP,<br>S CLIP |                    |
| DIMENSIONS:<br>mm   |  | PRODUCT SPEC<br>108-32122           | SIZE<br>A2  | CAGE CODE<br>-     |
| TOLERANCES UNLESS OTHERWISE SPECIFIED:<br>0 PLC ±0.50<br>1 PLC ±0.25<br>2 PLC ±0.13<br>3 PLC ±<br>4 PLC ±<br>ANGLES ±<br>FINISH - |  | APPLICATION SPEC<br>114-32157       | DRAWING NO<br>C-2306315                           | RESTRICTED TO<br>- |
| MATERIAL  |  | WEIGHT<br>-                         | SCALE<br>5:1                                      | SHEET<br>4 OF 4    |
|   |  | CUSTOMER DRAWING                    | REV<br>A  |                    |

## X-ON Electronics

Largest Supplier of Electrical and Electronic Components

*Click to view similar products for [Solar Connectors / Photovoltaic Connectors](#) category:*

*Click to view products by [TE Connectivity](#) manufacturer:*

Other Similar products are found below :

[1740699-7](#) [1971861-4](#) [1971131-4](#) [1971858-3](#) [1971861-3](#) [PV-090508-M10](#) [PV-CM-S 2 5-6 \(-\)](#) [2270184-3](#) [2270154-2](#) [2270226-4](#) [PV-090508-M06-N](#) [1987558-2](#) [PV-090506-F03](#) [UTXPM](#) [UTXPF](#) [UTXCMB6AM](#) [1627092](#) [1017635](#) [1017636](#) [1-2306314-1](#) [1-2306314-2](#) [1302440201](#) [1303450000](#) [PV-STICK+](#) [VPE10](#) [2-1971862-2](#) [H4CMC6DM](#) [1705996](#) [1705995](#) [1971858-2](#) [5-2306317-2](#) [1704926](#) [H4CFC4DIS](#) [H4CMC4DC](#) [H4CFC4DC](#) [H4CMC4DM](#) [H4CFC4DM](#) [H4CFC6DM](#) [H4CFM2DI](#) [H4CFM6DI](#) [H4CMC2DI](#) [H4CMC8DM](#) [H4CMM6DI](#) [H4CMC4DMS](#) [H4CMC4DIS](#) [H4PF](#) [H4PM](#) [HGLUI](#) [PWJ-03BMMB-LL8001](#) [UTXCFA0AM](#) [UTXCFA4BMH](#) [UTXCMA0AM](#)