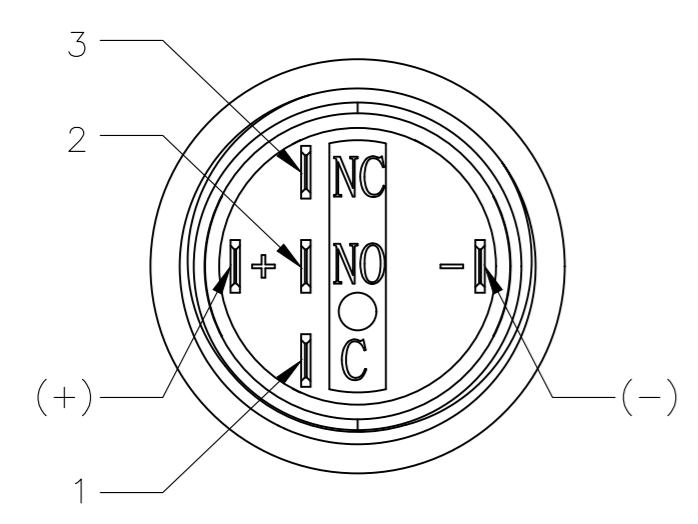
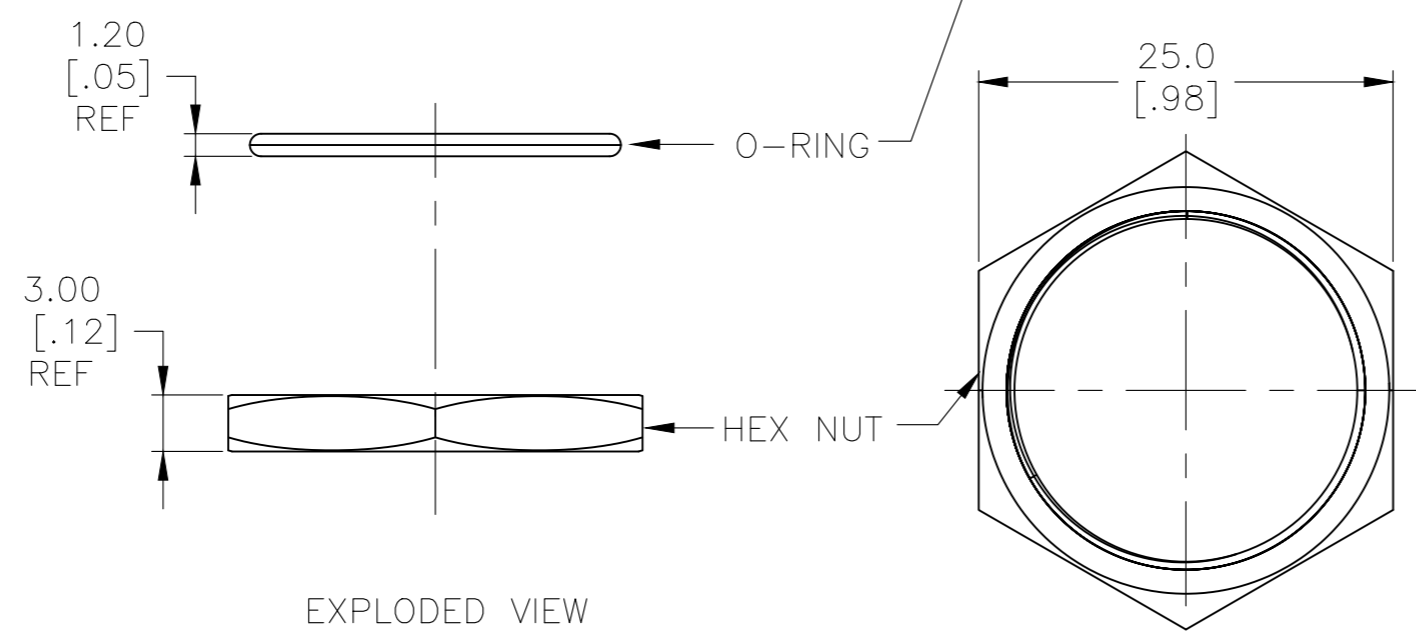
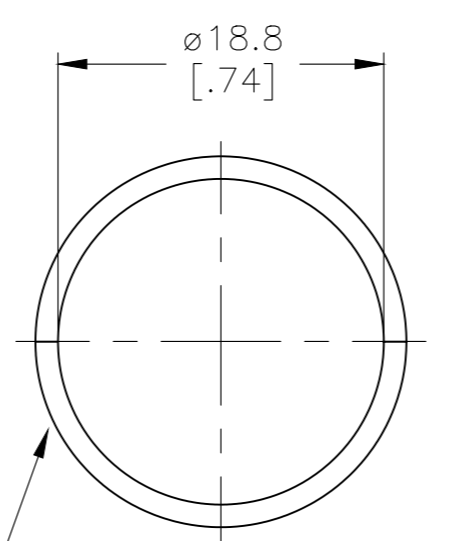
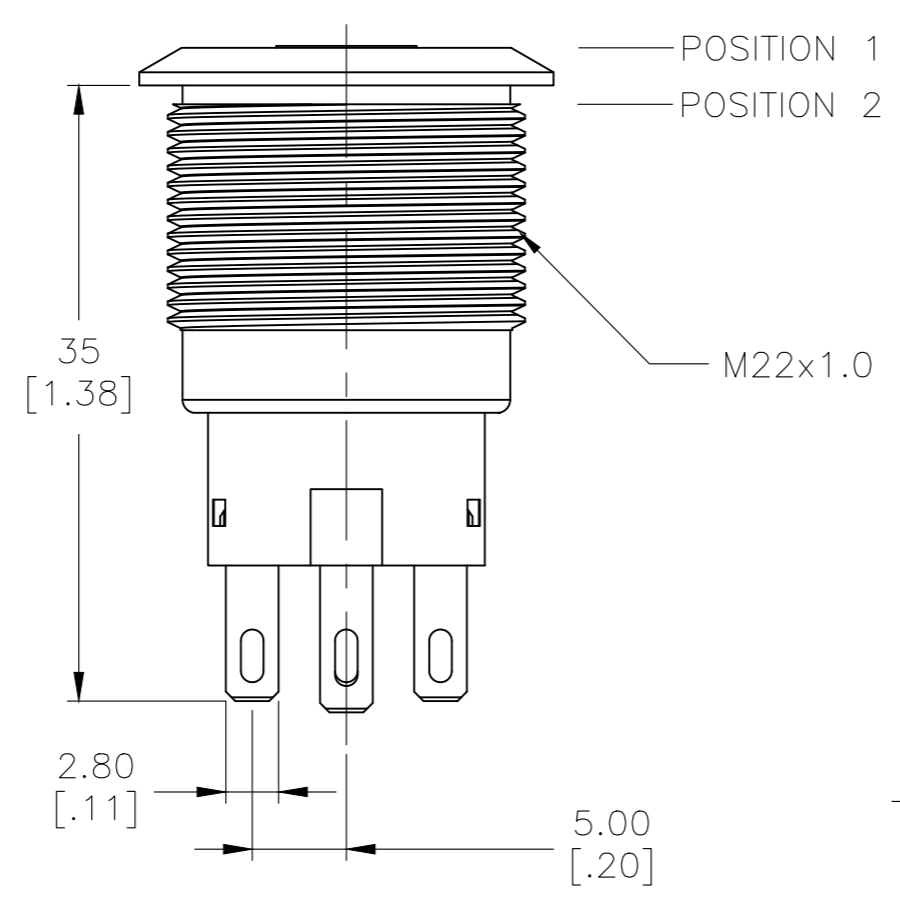
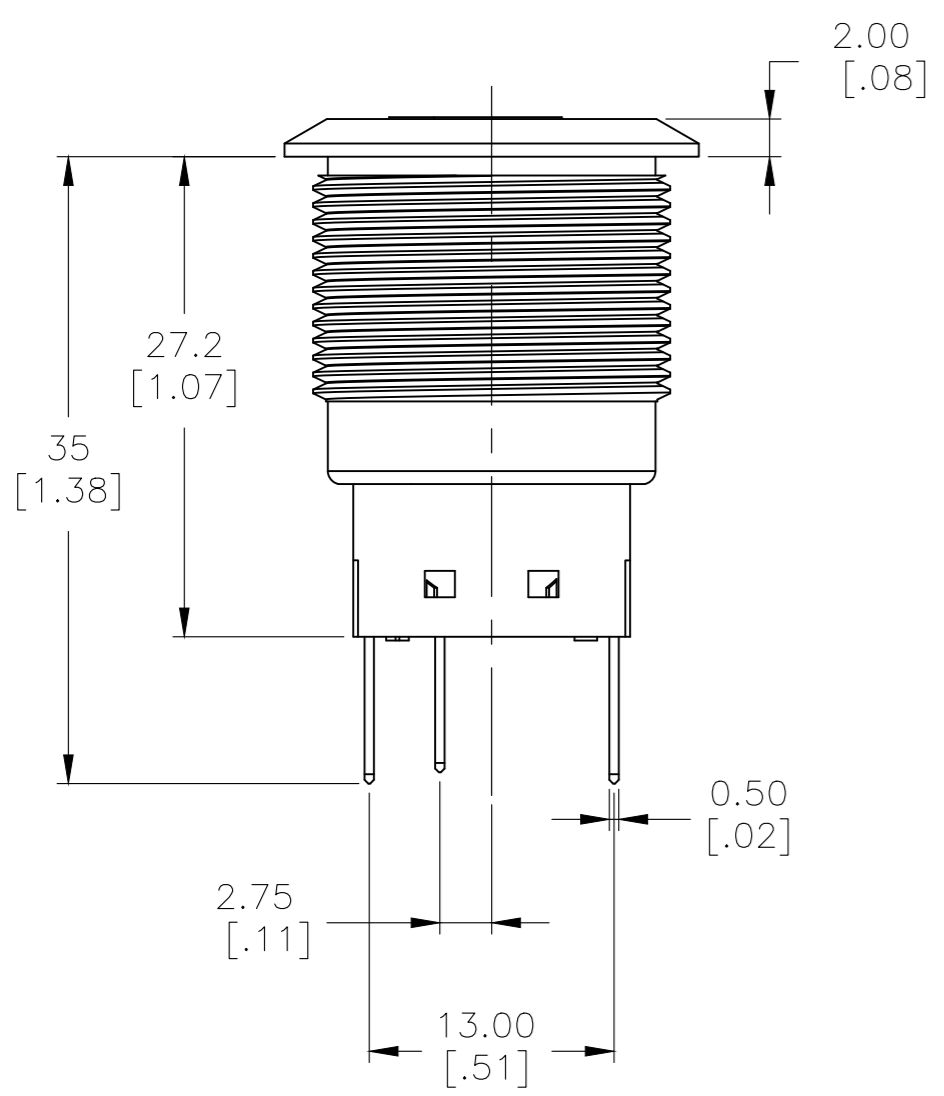
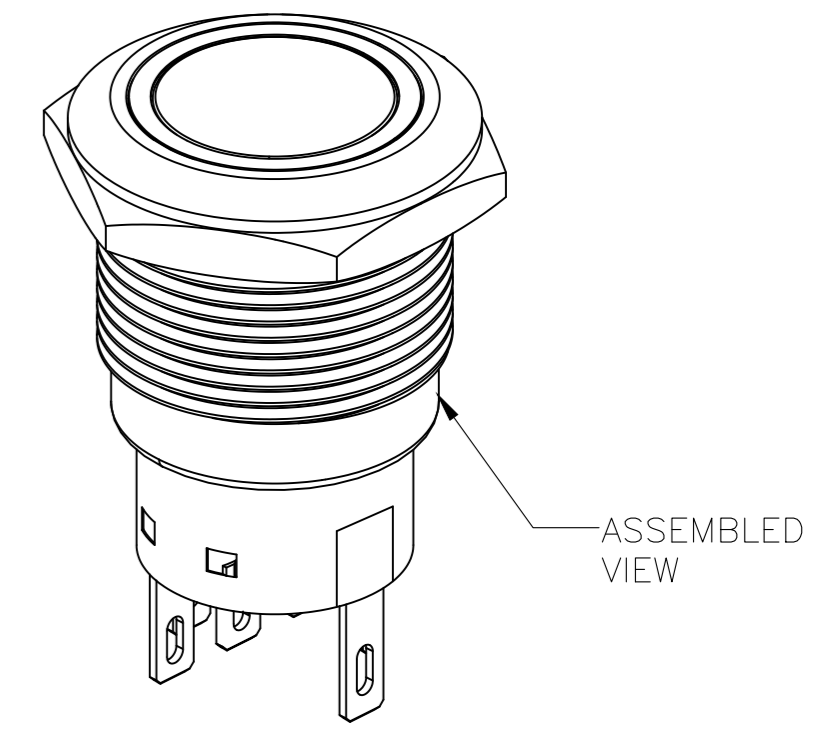
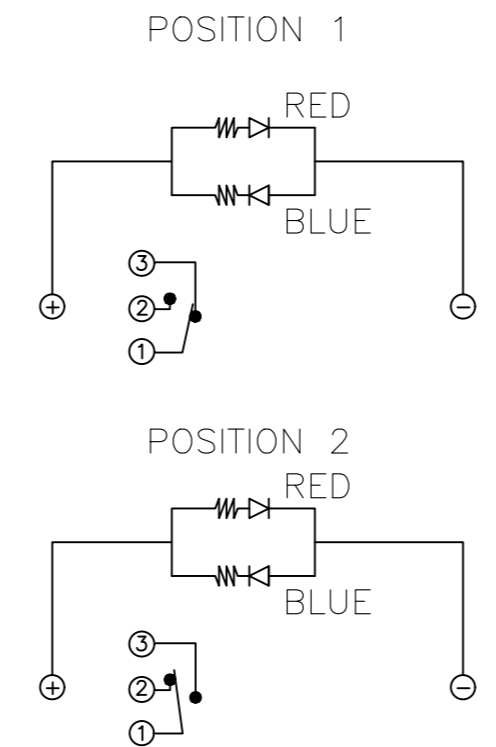
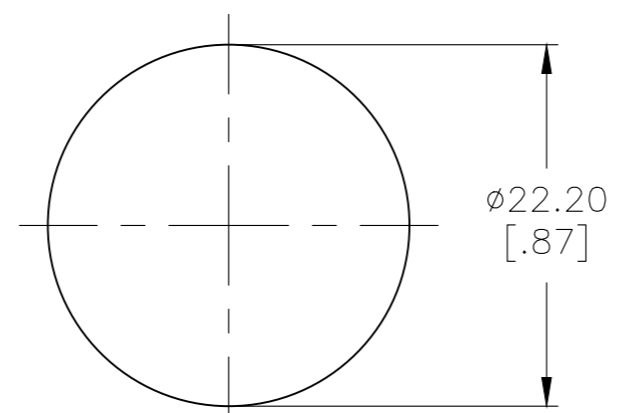
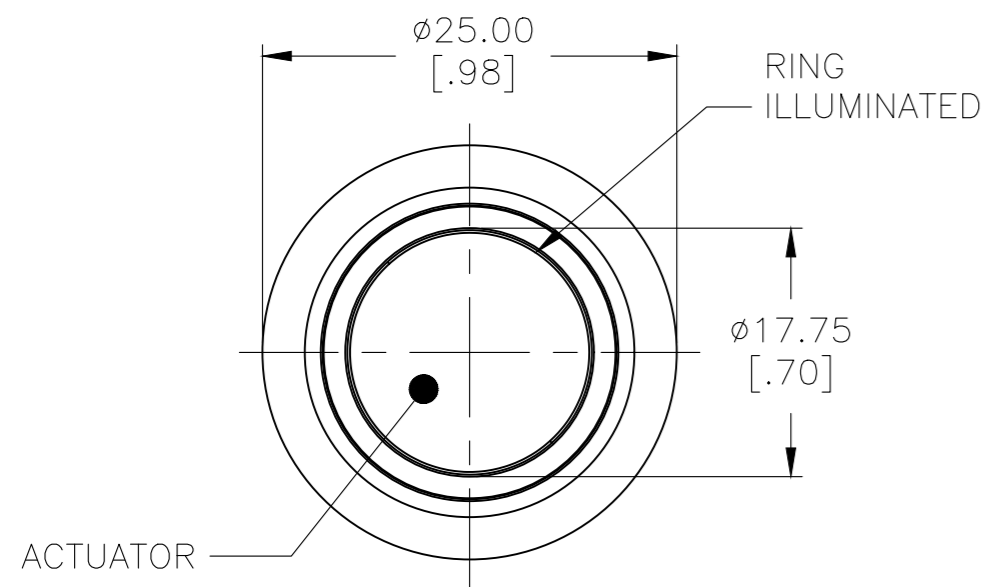


THIS DRAWING IS UNPUBLISHED. RELEASED FOR PUBLICATION  
 © COPYRIGHT - By - ALL RIGHTS RESERVED.

REVISIONS				
P	LTR	DESCRIPTION	DATE	APVD
A		INITIAL RELEASE	15MAR2017	SK SS

### SINGLE POLE SWITCH WITH DUAL COLOR LED's



**SPECIFICATION:**  
 CONTACT RATING: SILVER; 3A @ 250VAC RESISTIVE  
 GOLD; 0.4A @ 20VDC OR PEAK AC  
 INSULATION RESISTANCE: 1,000MΩ MIN AT 500VDC  
 DIELECTRIC STRENGTH: 2,000V RMS @ SEA LEVEL  
 CONTACT RESISTANCE: 50mΩ MAX @ 1A 12VDC (INITIAL VALUE), 100mΩ MAX @ 1A 12VDC (INITIAL VALUES), FLYING LEADS.  
 ELECTRICAL LIFE CYCLES: 50,000 MAKE AND BREAK CYCLES AT FULL LOAD.  
 ACTUATION FORCE: SP: 2.5±1 NEWTON. DP: 3.5±1 NEWTON  
 ACTUATION TRAVEL: 3.2MM  
 SEALED PER IP67, IK10 (STAINLESS)  
 OPERATING TEMPERATURE: -20°C TO +55°C  
 MECHANICAL LIFECYCLES: MOMENTARY; 1,000,000 CYCLES  
 LOCKING; 500,000 CYCLES  
 HARDWARE TORQUE: 5-14 N-m.

**MATERIALS**  
 BUSHING: STAINLESS STEEL,  
 BASE: PBT (UL 94-V0), PC (UL 94-V2),  
 ACTUATOR: STAINLESS STEEL, PC  
 SEALING: O-RING (SILICONE),  
 TERMINAL/CONTACT: COPPER BASE, SILVER/GOLD PLATED,  
 HEX NUT: BRASS BASE, NICKEL PLATED,  
 WIRE:UL3385.

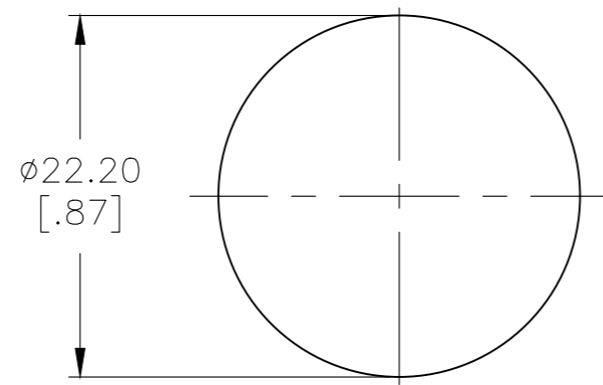
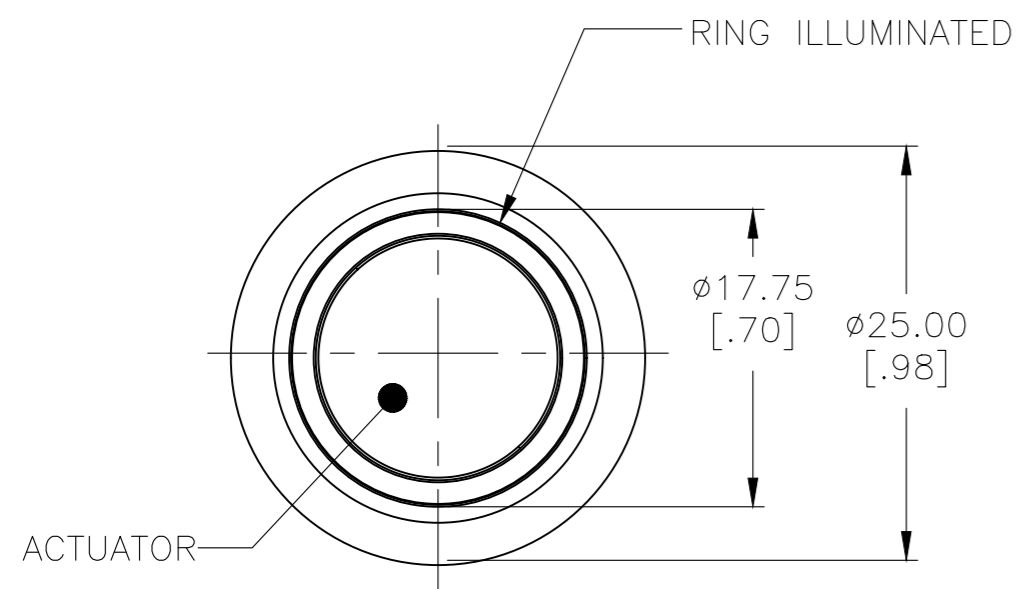
1. ALL MATERIAL AND FINISHES SHALL COMPLY WITH EU DIRECTIVE 2002/95/EC OF 27JAN2003(ROHS).

THIS DRAWING IS A CONTROLLED DOCUMENT.		DWN 15MAR2017 SHIVAKUMAR S S	TE Connectivity	
DIMENSIONS: mm [INCHES]		CHK 15MAR2017 SANJAY SHINDIKAR		
TOLERANCES UNLESS OTHERWISE SPECIFIED:		APVD 15MAR2017 SANJAY SHINDIKAR	NAME: ANTI-VANDAL SWITCH 22mm DUAL COLOR LED, FLYING LEADS WITH MOVING RING LED	
0 PLC ± - 1 PLC ± 0.4[.016] 2 PLC ± 0.25[.010] 3 PLC ± - 4 PLC ± - ANGLES ± 2°		PRODUCT SPEC	RESTRICTED TO	
MATERIAL		APPLICATION SPEC	SIZE: A2	CAGE CODE: 00779
FINISH		WEIGHT	DRAWING NO: C-2317570	REV: A
		CUSTOMER DRAWING	SCALE: 1:1	SHEET: 1 of 5

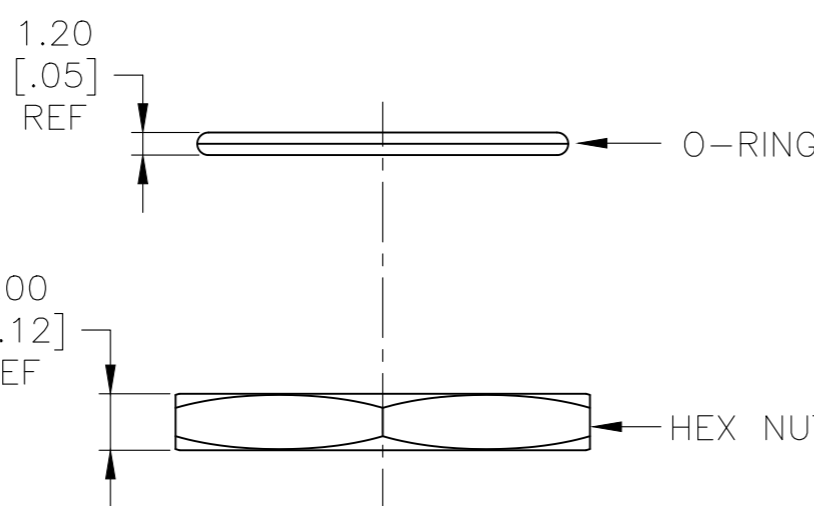
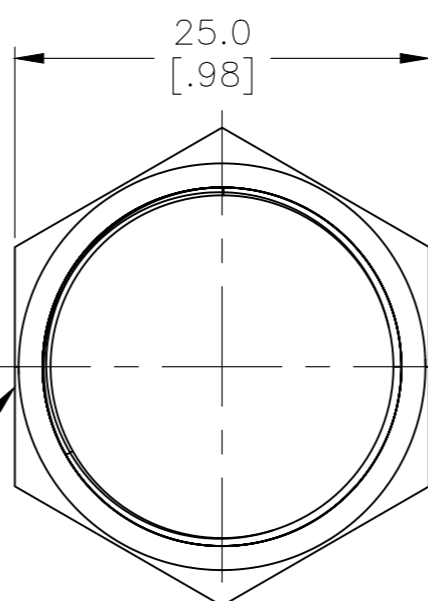
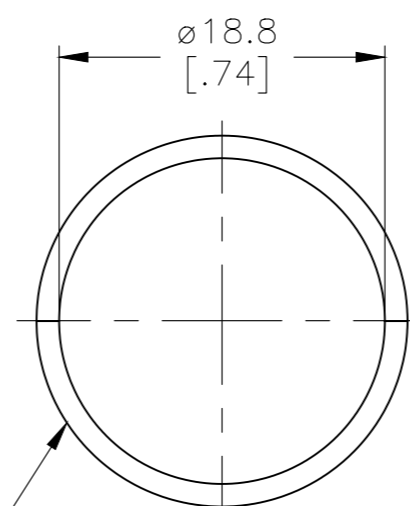
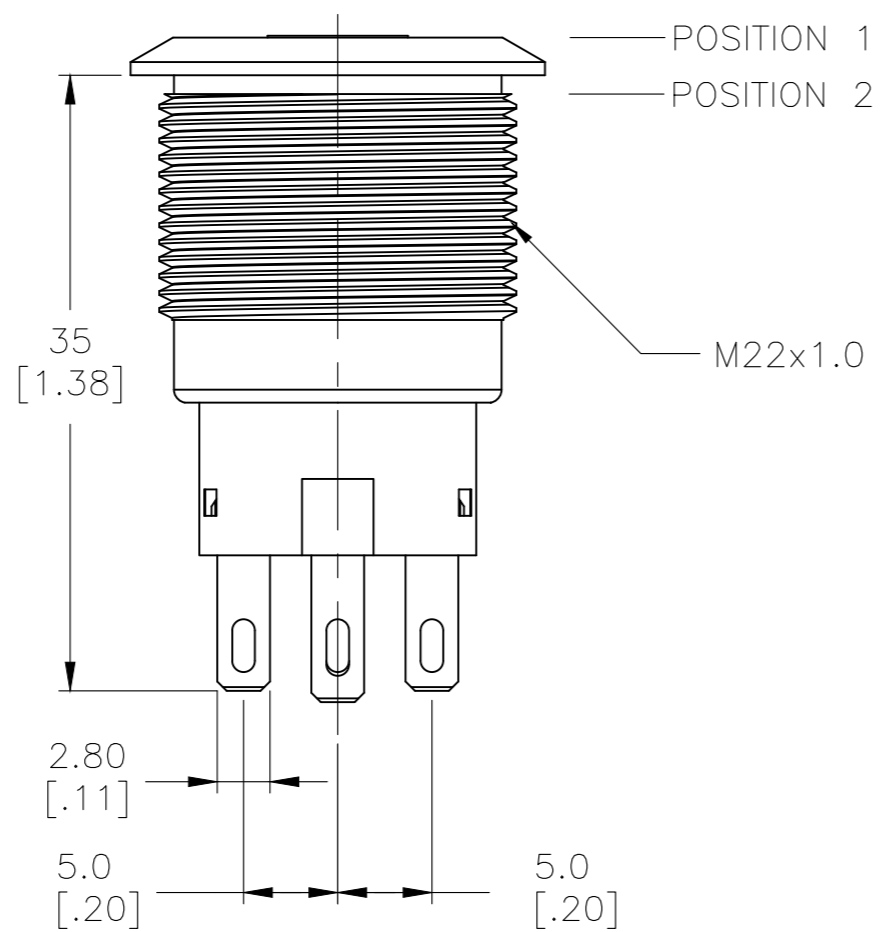
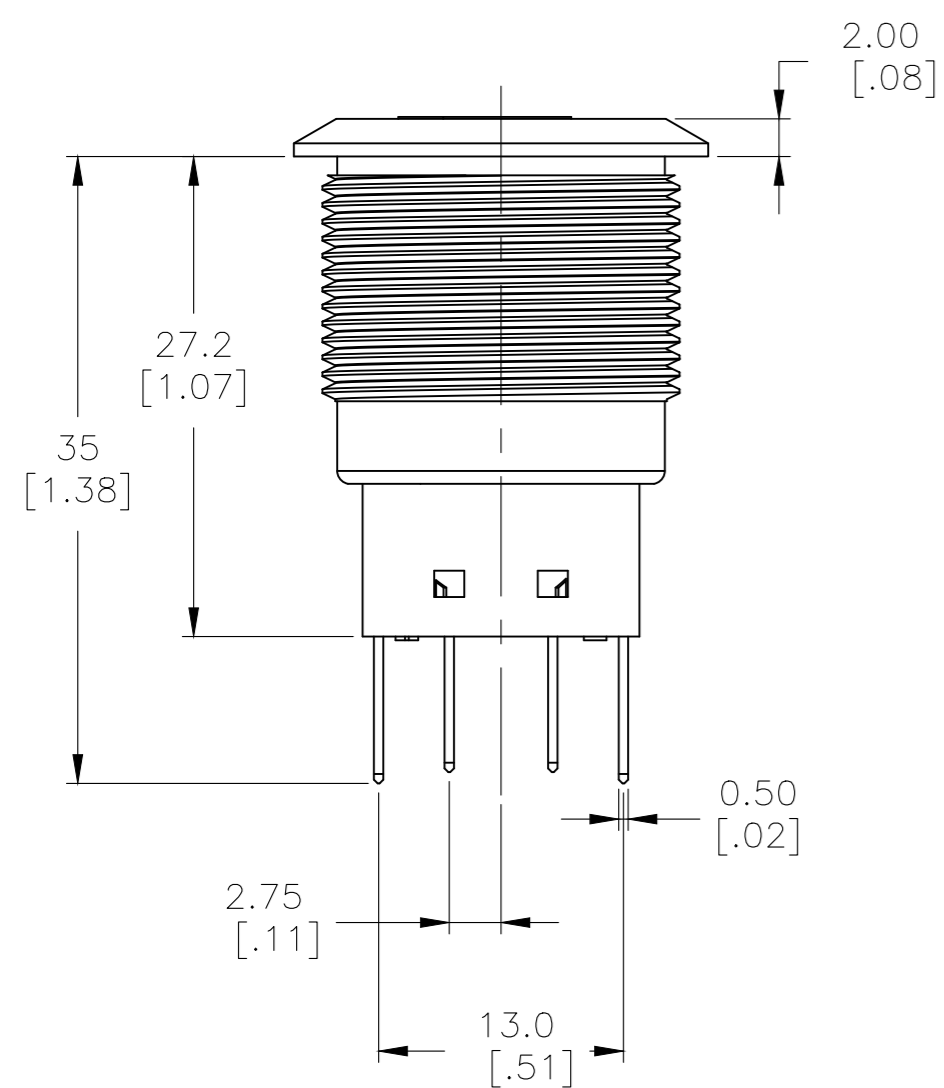
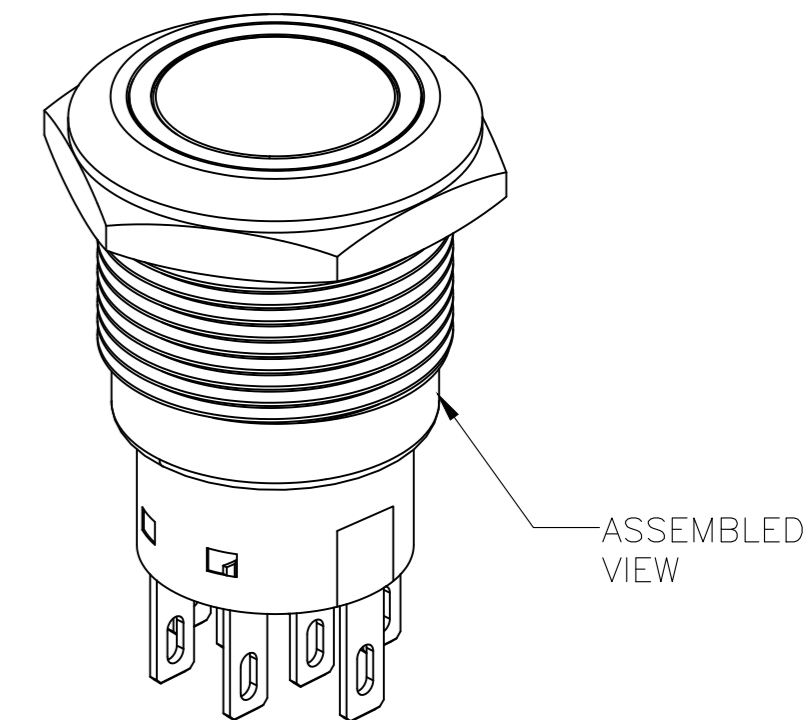
THIS DRAWING IS UNPUBLISHED. RELEASED FOR PUBLICATION  
 © COPYRIGHT - By - ALL RIGHTS RESERVED.

REVISIONS				
P	LTR	DESCRIPTION	DATE	APVD
-	-	SEE SHEET 1	-	-

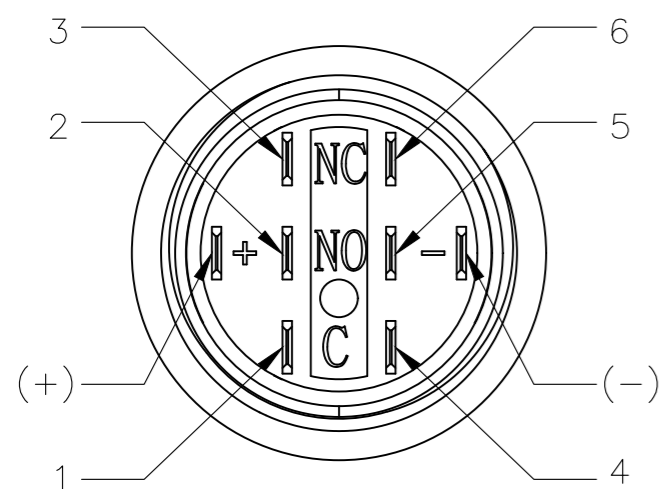
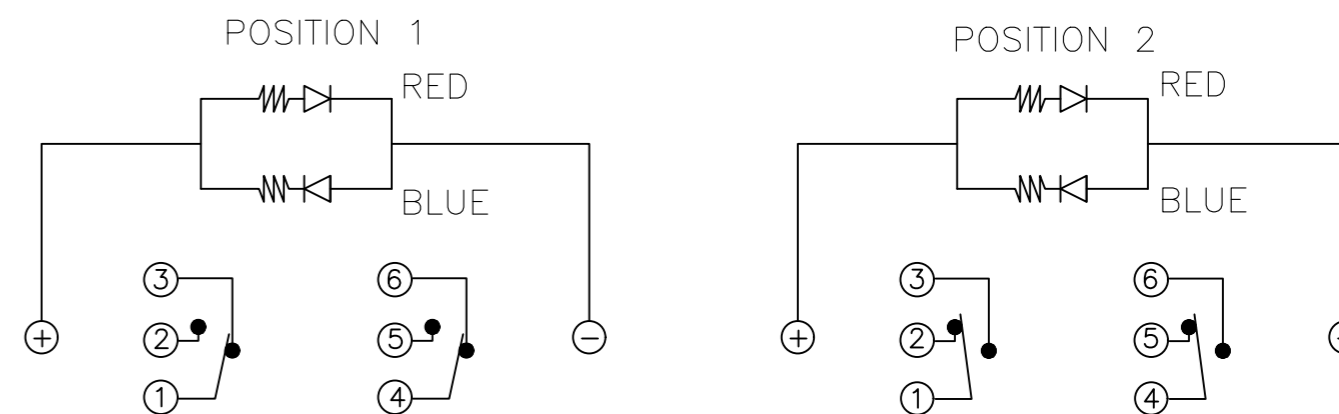
### DOUBLE POLE SWITCH WITH DUAL COLOR LED's



PANEL CUTOUT  
 MAX.PANEL THICKNESS: 10.00[.394]



EXPLODED VIEW

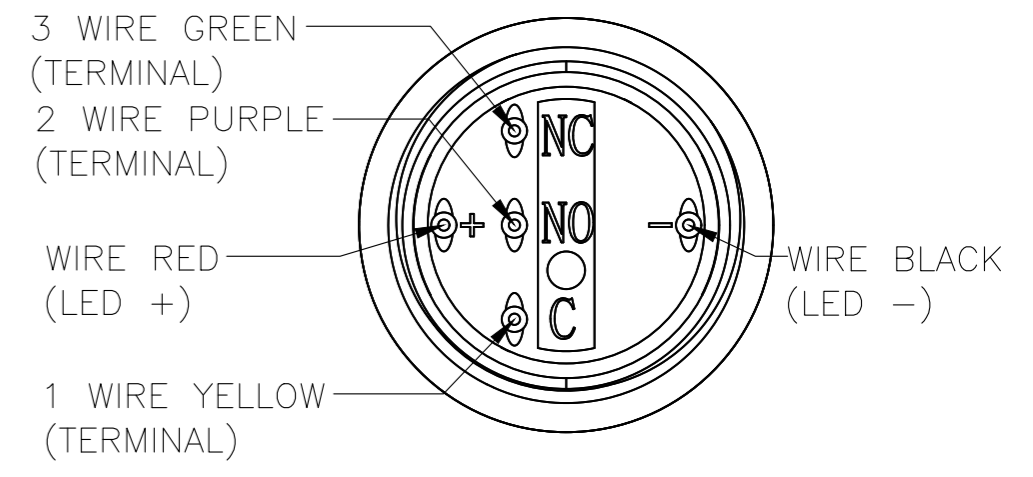
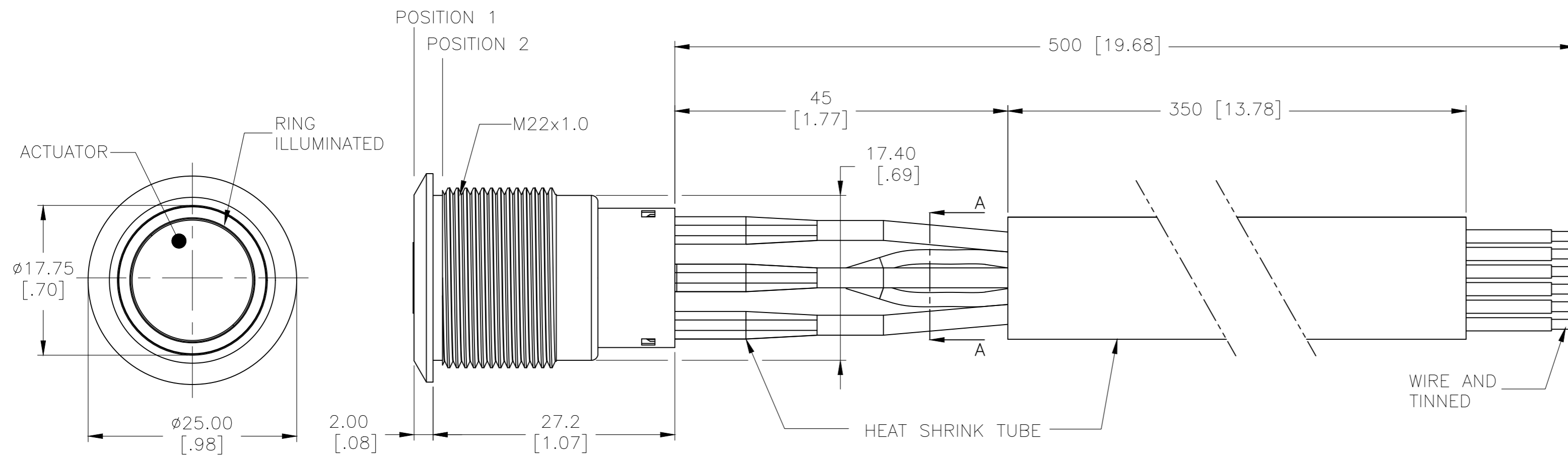


THIS DRAWING IS A CONTROLLED DOCUMENT.		DWN 15MAR2017 SHIVAKUMAR S S	TE Connectivity
DIMENSIONS: mm [INCHES]		CHK 15FEB2017 SANJAY SHINDIKAR	
TOLERANCES UNLESS OTHERWISE SPECIFIED:		APVD 15FEB2017 SANJAY SHINDIKAR	NAME ANTI-VANDAL SWITCH 22mm DUAL COLOR LED, FLYING LEADS WITH MOVING RING LED
0 PLC ± -		PRODUCT SPEC	SIZE CAGE CODE DRAWING NO RESTRICTED TO
1 PLC ± 0.4[.016]		APPLICATION SPEC	A2 00779 C-2317570 -
2 PLC ± 0.25[.010]		WEIGHT	SCALE 1:1 SHEET 2 of 5 REV A
3 PLC ± -		CUSTOMER DRAWING	
4 PLC ± -			
ANGLES ± 2°			
FINISH			

THIS DRAWING IS UNPUBLISHED. RELEASED FOR PUBLICATION  
 © COPYRIGHT - By - ALL RIGHTS RESERVED.

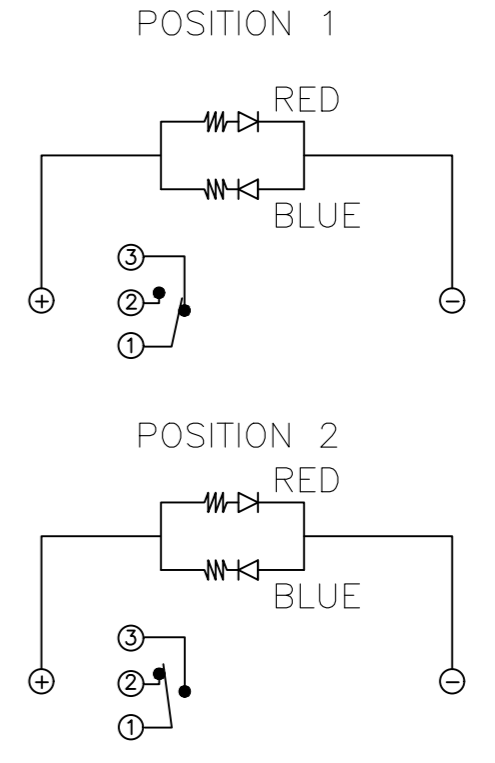
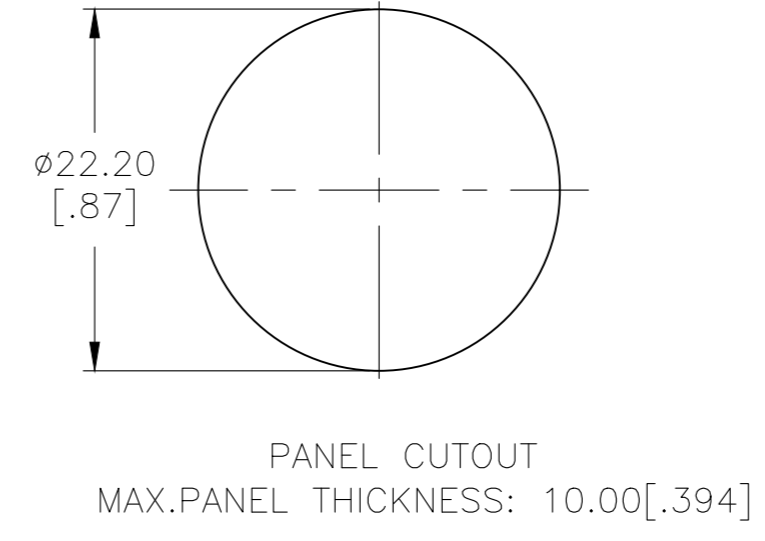
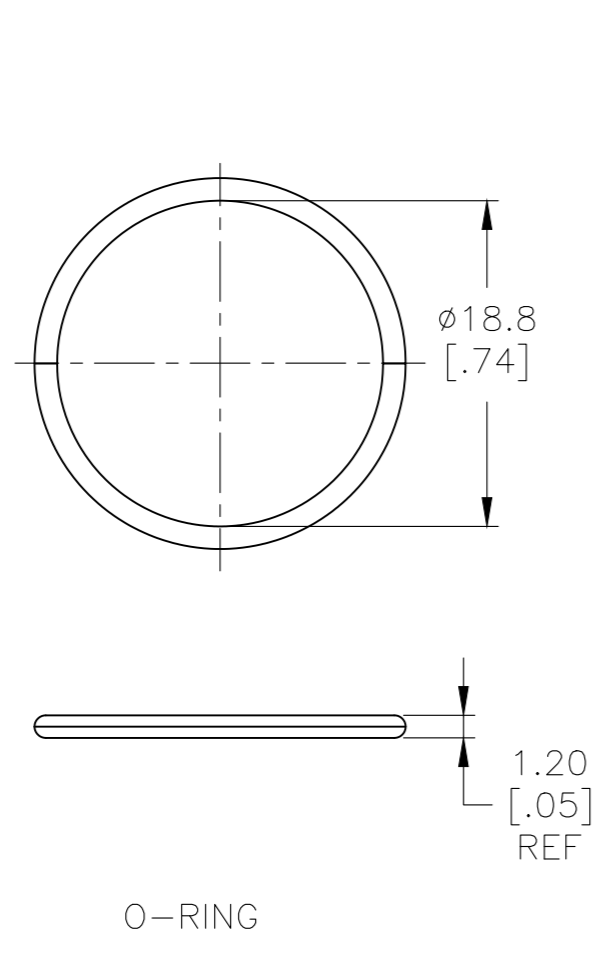
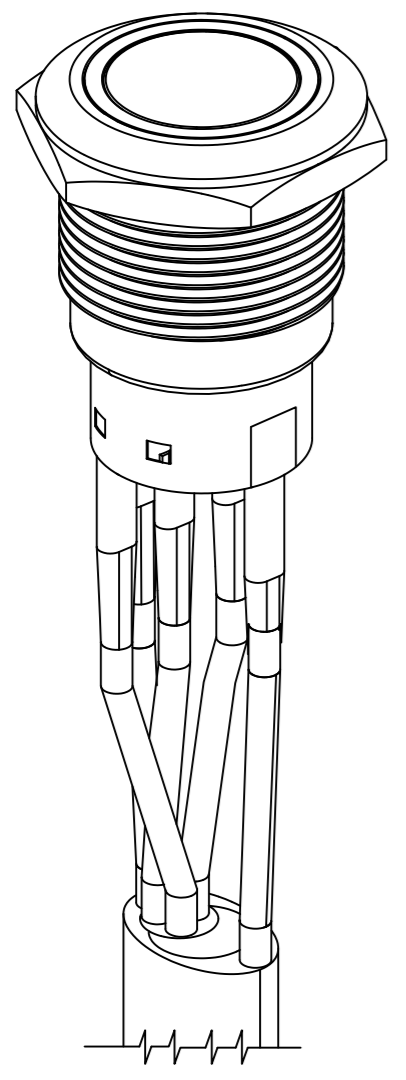
REVISIONS				
P	LTR	DESCRIPTION	DATE	APVD
-	-	SEE SHEET 1	-	-

# SINGLE POLE SWITCH WITH DUAL COLOR LED'S AND FLYING LEADS



SECTION A-A

WIRE=18AWG, 300V(BLACK/YELLOW/GREEN/RED/PURPLE)

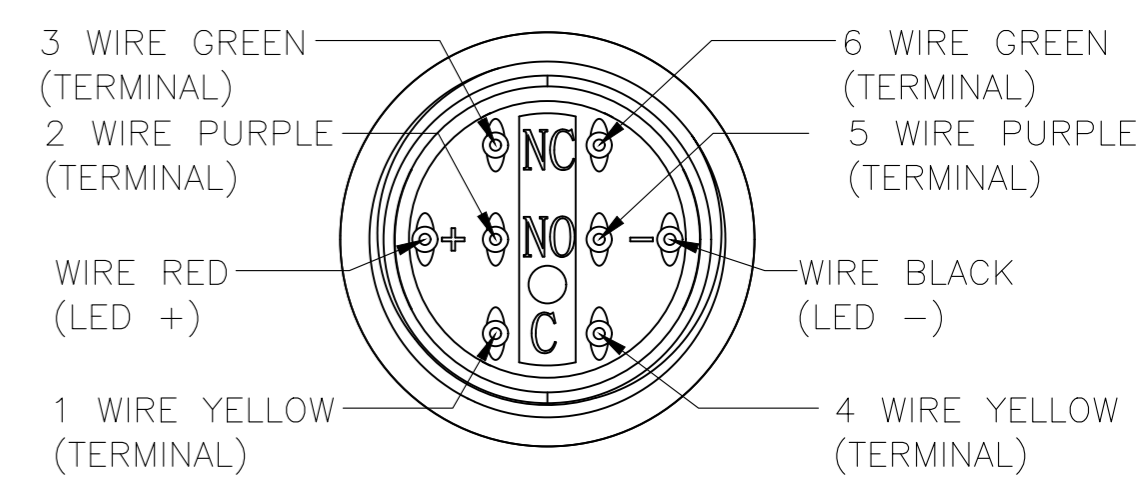
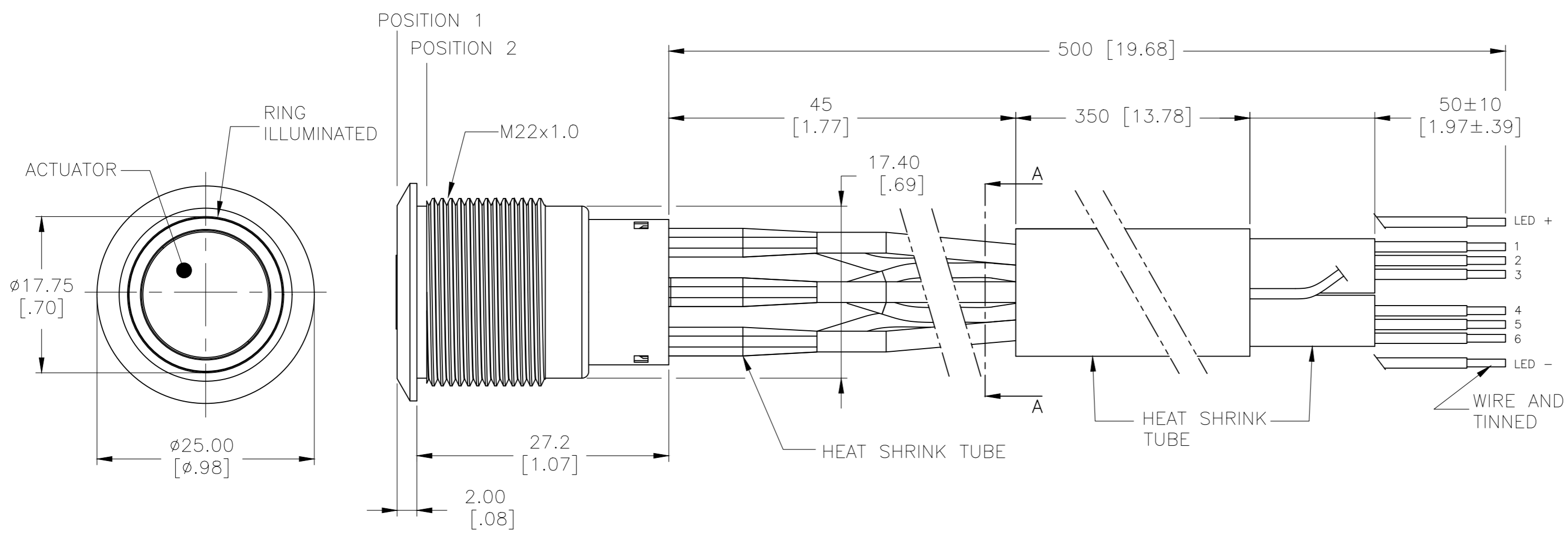


THIS DRAWING IS A CONTROLLED DOCUMENT.		DWN 15MAR2017 SHIVAKUMAR S S	TE Connectivity	
DIMENSIONS: mm [INCHES]		CHK 15FEB2017 SANJAY SHINDIKAR		
TOLERANCES UNLESS OTHERWISE SPECIFIED:		APVD 15FEB2017 SANJAY SHINDIKAR	PRODUCT SPEC	RESTRICTED TO
0 PLC ± - 1 PLC ± 0.4[.016] 2 PLC ± 0.25[.010] 3 PLC ± - 4 PLC ± - ANGLES ± 2°		APPLICATION SPEC	SIZE A2	CAGE CODE 00779
MATERIAL		WEIGHT	DRAWING NO. C-2317570	REV A
		CUSTOMER DRAWING	SCALE 1:1	SHEET 3 of 5

THIS DRAWING IS UNPUBLISHED. RELEASED FOR PUBLICATION  
 © COPYRIGHT - By - ALL RIGHTS RESERVED.

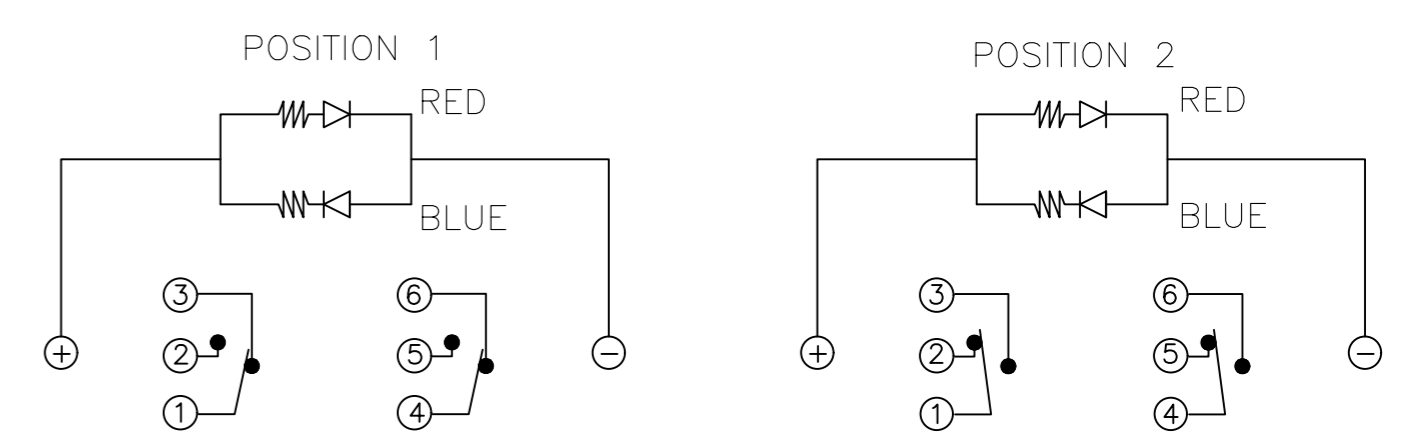
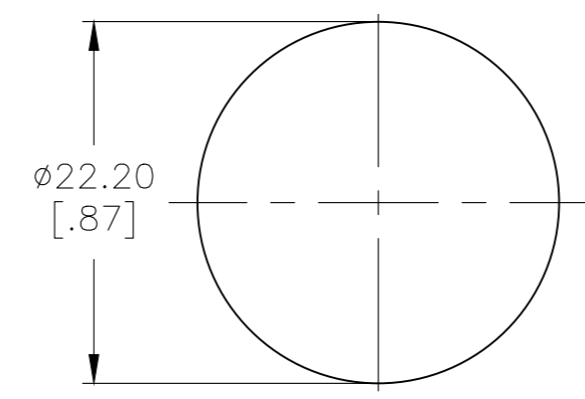
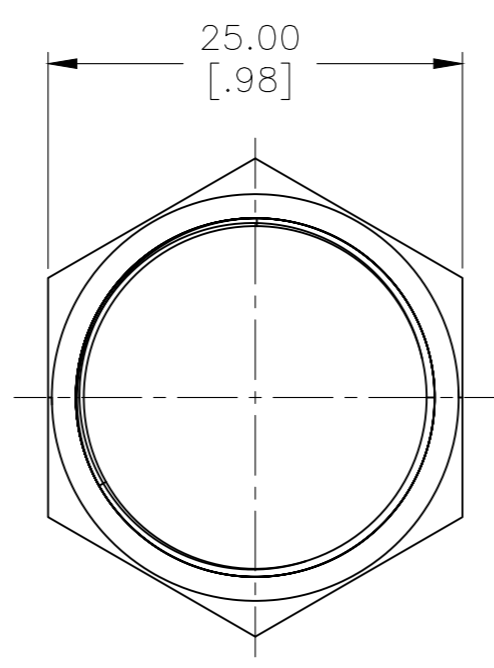
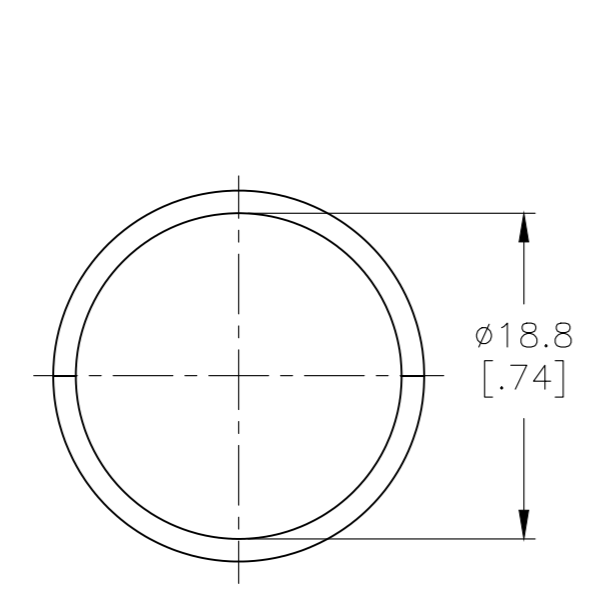
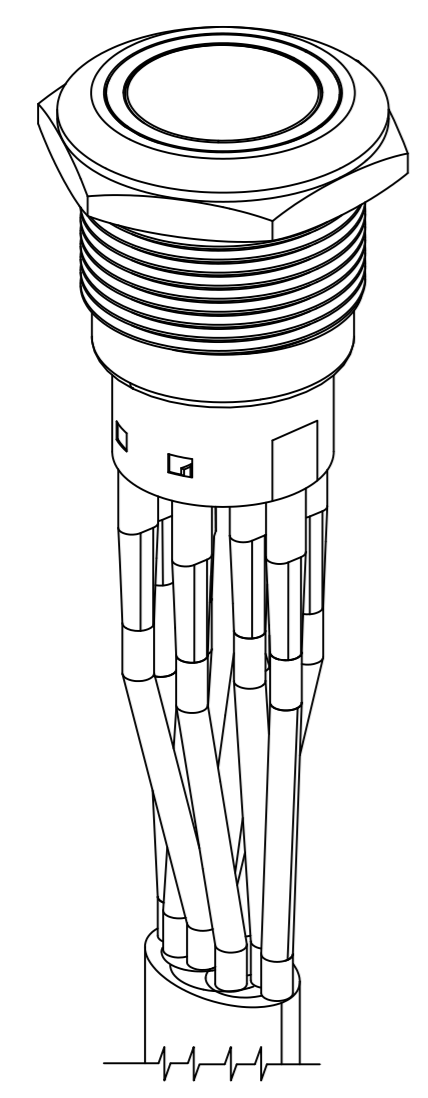
REVISIONS				
P	LTR	DESCRIPTION	DATE	APVD
-	-	SEE SHEET 1	-	-

# DOUBLE POLE SWITCH WITH DUAL COLOR LED'S AND FLYING LEADS



SECTION A-A

WIRE=18AWG, 300V(BLACK/YELLOW/GREEN/RED/PURPLE)



THIS DRAWING IS A CONTROLLED DOCUMENT.		DWN 15MAR2017 SHIVAKUMAR S S	<b>STE</b> TE Connectivity
DIMENSIONS: mm [INCHES]		CHK 15FEB2017 SANJAY SHINDIKAR	
TOLERANCES UNLESS OTHERWISE SPECIFIED:		APVD 15FEB2017 SANJAY SHINDIKAR	NAME ANTI-VANDAL SWITCH 22mm DUAL COLOR LED, FLYING LEADS WITH MOVING RING LED
0 PLC ± - 1 PLC ± 0.4[.016] 2 PLC ± 0.25[.010] 3 PLC ± - 4 PLC ± - ANGLES ± 2°		PRODUCT SPEC -	SIZE A2
MATERIAL -		FINISH -	CAGE CODE 00779
		WEIGHT -	DRAWING NO C-2317570
		CUSTOMER DRAWING	RESTRICTED TO -
		SCALE 1:1	SHEET 4 of 5
			REV A

THIS DRAWING IS UNPUBLISHED. RELEASED FOR PUBLICATION  
 © COPYRIGHT - By - ALL RIGHTS RESERVED.

REVISIONS					
P	LTR	DESCRIPTION	DATE	DWN	APVD
-	-	SEE SHEET 1	-	-	-

CONTACT PLATING	TERMINAL OPTION	POLE/THROW	LED COLOR	LED VOLTAGE	TE DESCRIPTIVE PART NUMBER	TE PART NUMBER
SILVER	FLYING LEAD TERMINALS	DOUBLE POLE - MOMENTARY	RED & YELLOW	24	AV2220EG24T5Q04	4-2317570-7
				12	AV2220EG12T5Q04	4-2317570-6
			RED & BLUE	24	AV2220EB24T5Q04	4-2317570-5
				12	AV2220EB12T5Q04	4-2317570-4
			RED & GREEN	24	AV2220EA24T5Q04	4-2317570-3
				12	AV2220EA12T5Q04	4-2317570-2
		SINGLE POLE - LOCKING	RED & YELLOW	24	AV2211EG24T5Q04	4-2317570-1
				12	AV2211EG12T5Q04	4-2317570-0
			RED & BLUE	24	AV2211EB24T5Q04	3-2317570-9
				12	AV2211EB12T5Q04	3-2317570-8
			RED & GREEN	24	AV2211EA24T5Q04	3-2317570-7
				12	AV2211EA12T5Q04	3-2317570-6
	SINGLE POLE - MOMENTARY	RED & YELLOW	24	AV2210EG24T5Q04	3-2317570-5	
			12	AV2210EG12T5Q04	3-2317570-4	
		RED & BLUE	24	AV2210EB24T5Q04	3-2317570-3	
			12	AV2210EB12T5Q04	3-2317570-2	
		RED & GREEN	24	AV2210EA24T5Q04	3-2317570-1	
			12	AV2210EA12T5Q04	3-2317570-0	
	SOLDER TERMINALS	DOUBLE POLE - MOMENTARY	RED & YELLOW	24	AV2220EG24Q04	1-2317570-8
				12	AV2220EG12Q04	1-2317570-7
			RED & BLUE	24	AV2220EB24Q04	1-2317570-6
				12	AV2220EB12Q04	1-2317570-5
			RED & GREEN	24	AV2220EA24Q04	1-2317570-4
				12	AV2220EA12Q04	1-2317570-3
SINGLE POLE - LOCKING		RED & YELLOW	24	AV2211EG24Q04	1-2317570-2	
			12	AV2211EG12Q04	1-2317570-1	
		RED & BLUE	24	AV2211EB24Q04	1-2317570-0	
			12	AV2211EB12Q04	2317570-9	
		RED & GREEN	24	AV2211EA24Q04	2317570-8	
			12	AV2211EA12Q04	2317570-7	
SINGLE POLE - MOMENTARY	RED & YELLOW	24	AV2210EG24Q04	2317570-6		
		12	AV2210EG12Q04	2317570-5		
	RED & BLUE	24	AV2210EB24Q04	2317570-4		
		12	AV2210EB12Q04	2317570-3		
	RED & GREEN	24	AV2210EA24Q04	2317570-2		
		12	AV2210EA12Q04	2317570-1		

D

D

C

C

B


B

A

A

2317570

THIS DRAWING IS A CONTROLLED DOCUMENT.

DWN 15MAR2017 SHIVAKUMAR S S	 TE Connectivity ANTI-VANDAL SWITCH 22mm DUAL COLOR LED, FLYING LEADS WITH MOVING RING LED
CHK 15FEB2017 SANJAY SHINDIKAR	
APVD 15FEB2017 SANJAY SHINDIKAR	
PRODUCT SPEC	
APPLICATION SPEC	SIZE CAGE CODE DRAWING NO RESTRICTED TO
WEIGHT	A2 00779 C-2317570
CUSTOMER DRAWING	SCALE 1:1 SHEET 5 of 5 REV A

DIMENSIONS:	TOLERANCES UNLESS OTHERWISE SPECIFIED:
mm [INCHES]	
0 PLC	± -
1 PLC	± 0.4[.016]
2 PLC	± 0.25[.010]
3 PLC	± -
4 PLC	± -
ANGLES	± 2°
MATERIAL	FINISH
-	-

## X-ON Electronics

Largest Supplier of Electrical and Electronic Components

*Click to view similar products for [Pushbutton Switches](#) category:*

*Click to view products by [TE Connectivity](#) manufacturer:*

Other Similar products are found below :

[LW1L-M1C10V-A](#) [LW2L-A1C20M-GD](#) [LW2L-M1C20M-A](#) [60324L](#) [M7E-HRN2](#) [67021K512](#) [67081K512X](#) [701PB580](#) [719-5504-000](#)  
[MDPSSGLFS](#) [810KSV30B](#) [FLT 2U EE 01A](#) [MML21KA3ABK](#) [MML23KA3AC05K-001](#) [MML23KW3AA01W](#) [8418K2](#) [8646AB6X718UL](#)  
[8646ABUL](#) [FSDWH](#) [9001KXRK](#) [9001T8BK](#) [9533CD4+U574+U4922](#) [1203MRA](#) [A22EM01S](#) [A595](#) [12037A2ULCSA](#) [1203A2UL](#)  
[ABD122N-B](#) [1211390004](#) [ABN111-Y](#) [ABN400-R](#) [1211500044](#) [1211580012](#) [1212MRA](#) [1232A6NF](#) [1241.1183.7047](#) [1241.2511](#) [1241.3428](#)  
[1223A2ULCSA](#) [1223MRA](#) [1232AX2119](#) [1241.1183.8000](#) [1241.1183.8029](#) [1241.2506](#) [1241.2606](#) [12MA6](#) [1301940184](#)  
[RELBARF6X10\(PLASTIC\)](#) [13435AG](#) [13440AD2G25X822+U4546](#)