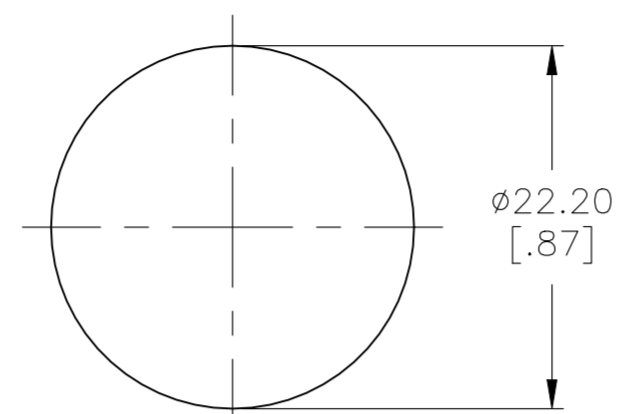
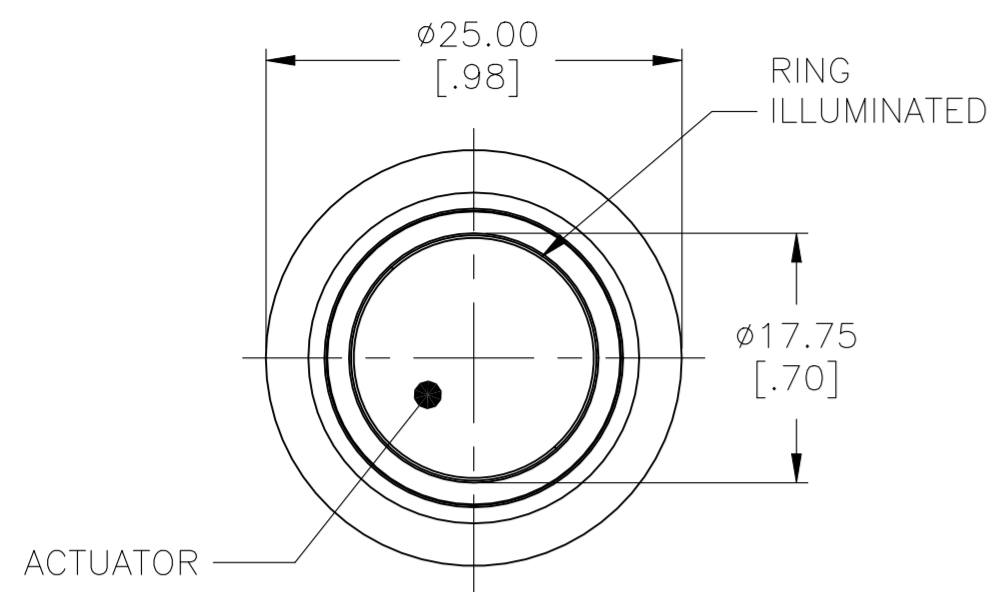


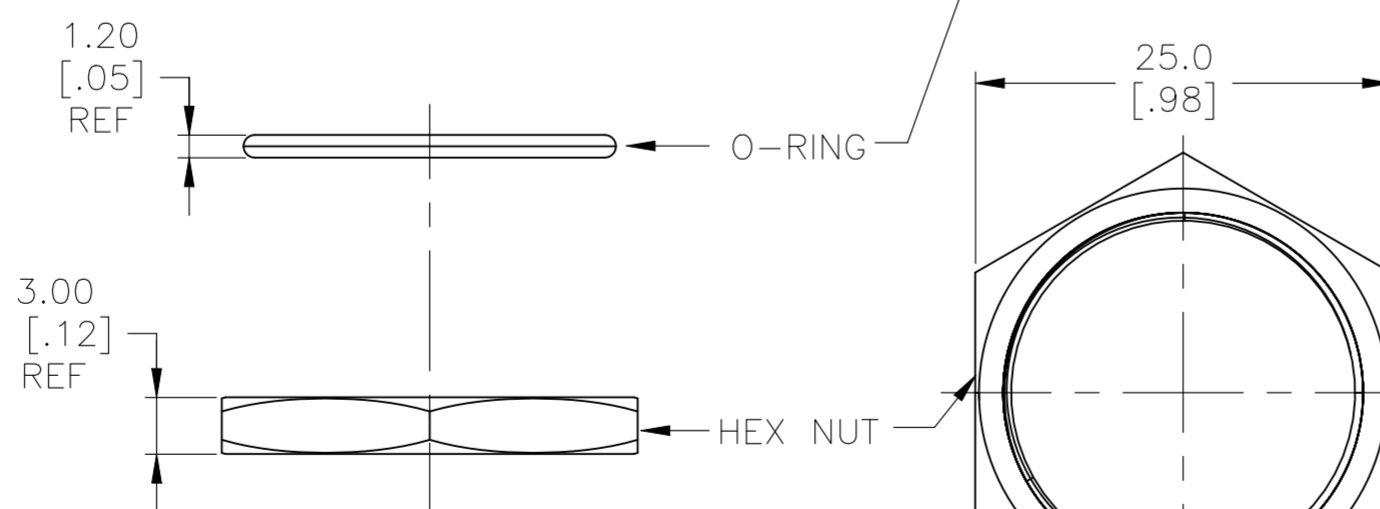
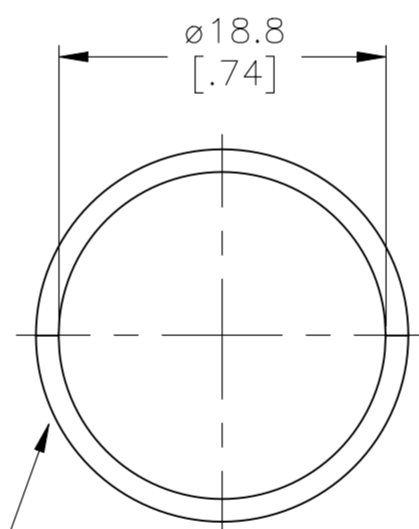
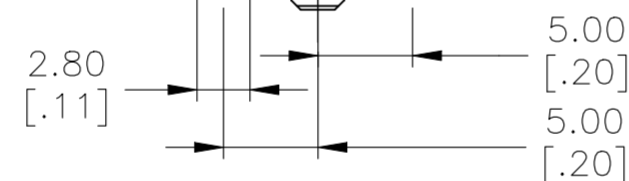
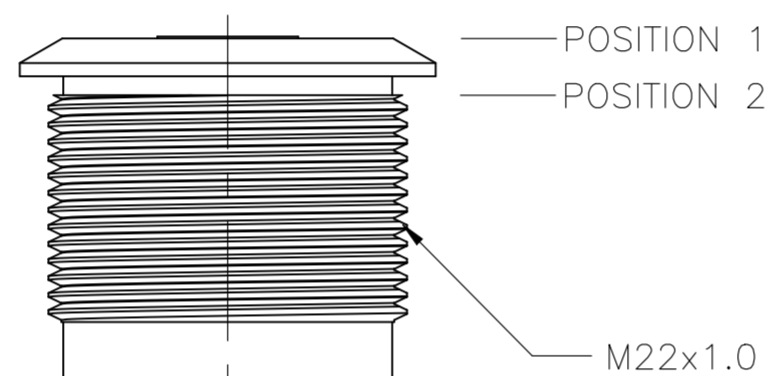
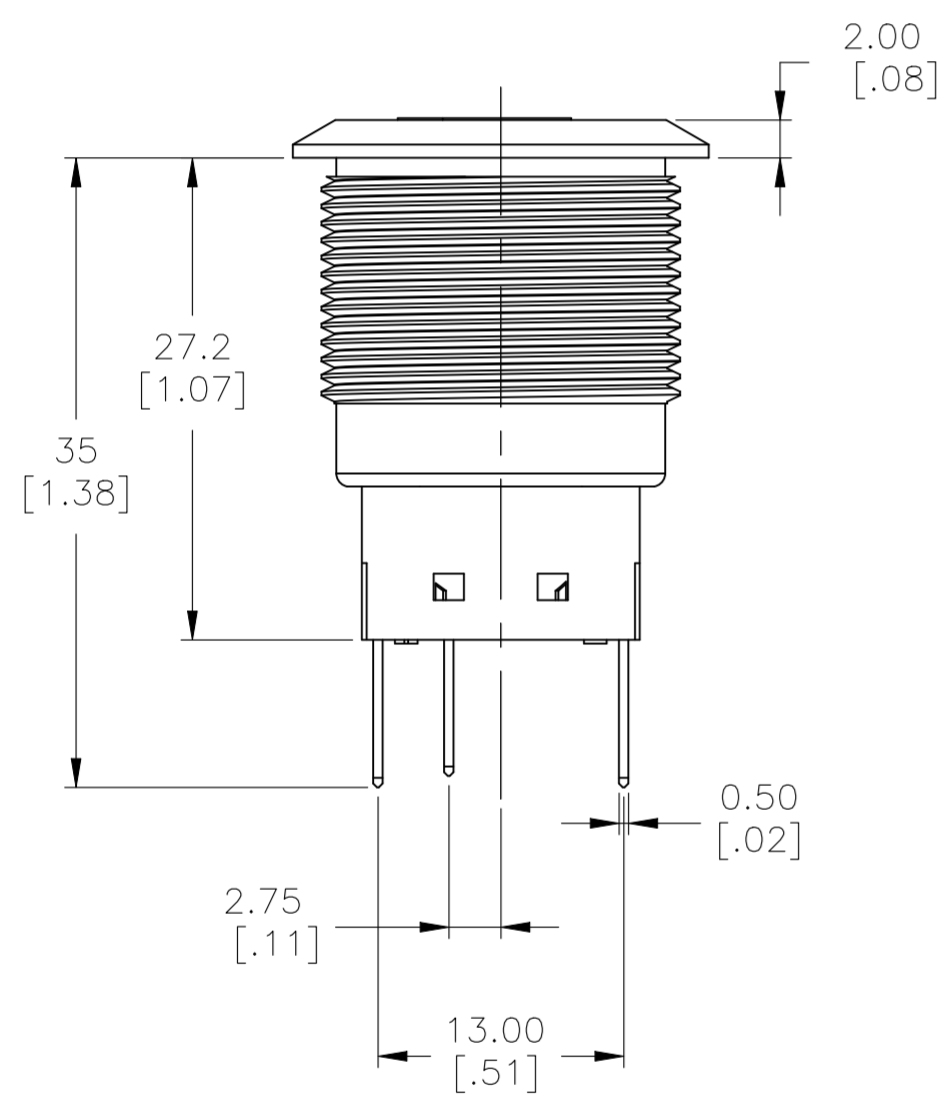
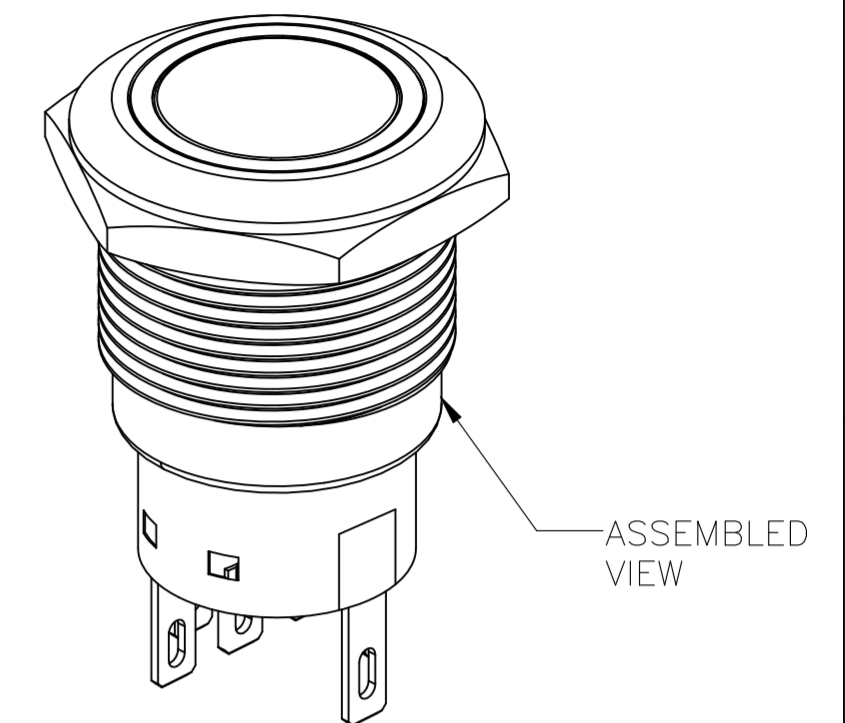
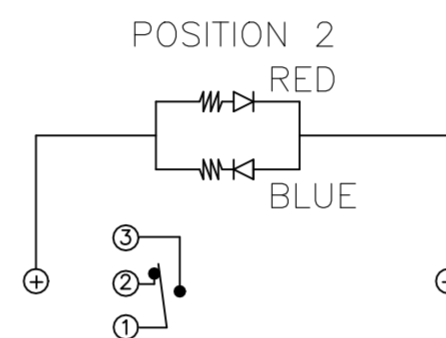
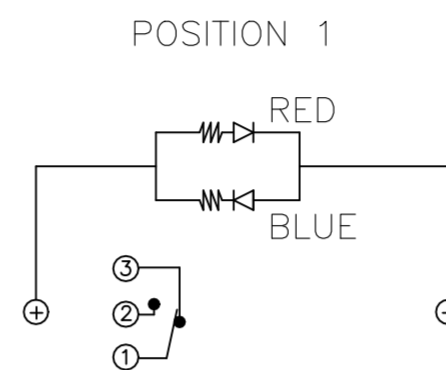
THIS DRAWING IS UNPUBLISHED. RELEASED FOR PUBLICATION
 © COPYRIGHT - By - ALL RIGHTS RESERVED.

REVISIONS					
P	LTR	DESCRIPTION	DATE	DWN	APVD
A1		ECO-21-006709	18JUN2021	RK	AS

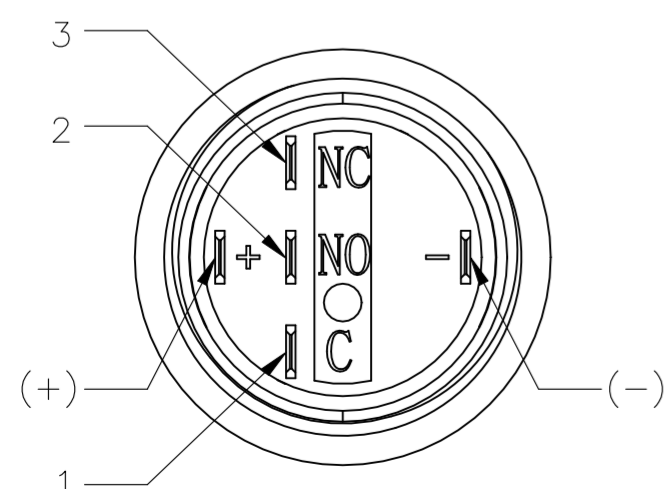
SINGLE POLE SWITCH WITH DUAL COLOR LED's



PANEL CUTOUT
 MAX.PANEL THICKNESS: 10.00[.394]



EXPLODED VIEW



SPECIFICATION:

CONTACT RATING: SILVER; 3A @ 250VAC RESISTIVE
 GOLD; 0.4A @ 20VDC OR PEAK AC
 INSULATION RESISTANCE: 1,000MΩ MIN AT 500VDC
 DIELECTRIC STRENGTH: 2,000V RMS @ SEA LEVEL
 CONTACT RESISTANCE: 50mΩ MAX @ 1A 12VDC (INITIAL VALUE), SOLDER TERMINALS
 100mΩ MAX @ 1A 12VDC (INITIAL VALUES), FLYING LEADS.
 ELECTRICAL LIFE CYCLES: 50,000 MAKE AND BREAK CYCLES AT FULL LOAD.
 ACTUATION FORCE: SP: 2.5±1 N, DP: 3.5±1 N
 ACTUATION TRAVEL: APPROXIMATELY 3.2mm
 SEALED PER IP67, IK10
 OPERATING TEMPERATURE: -20°C TO +55°C
 MECHANICAL LIFECYCLES: MOMENTARY; 1,000,000 CYCLES
 LOCKING; 500,000 CYCLES
 HARDWARE TORQUE: 5-14 N-m.

MATERIALS

BUSHING: STAINLESS STEEL,
 BASE: PBT (UL 94-V0), PC (UL 94-V2),
 ACTUATOR: STAINLESS STEEL, PC
 O-RING: SILICONE
 TERMINAL/CONTACT: COPPER BASE, SILVER/GOLD PLATED,
 HEX NUT: BRASS BASE, NICKEL PLATED,
 WIRE:UL3385.
 INNER ASSEMBLY: POM/PA66
 SPRING: SPRING STEEL
 SEALING: SILICONE

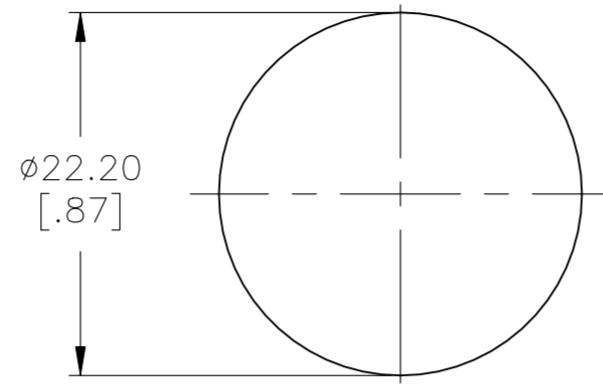
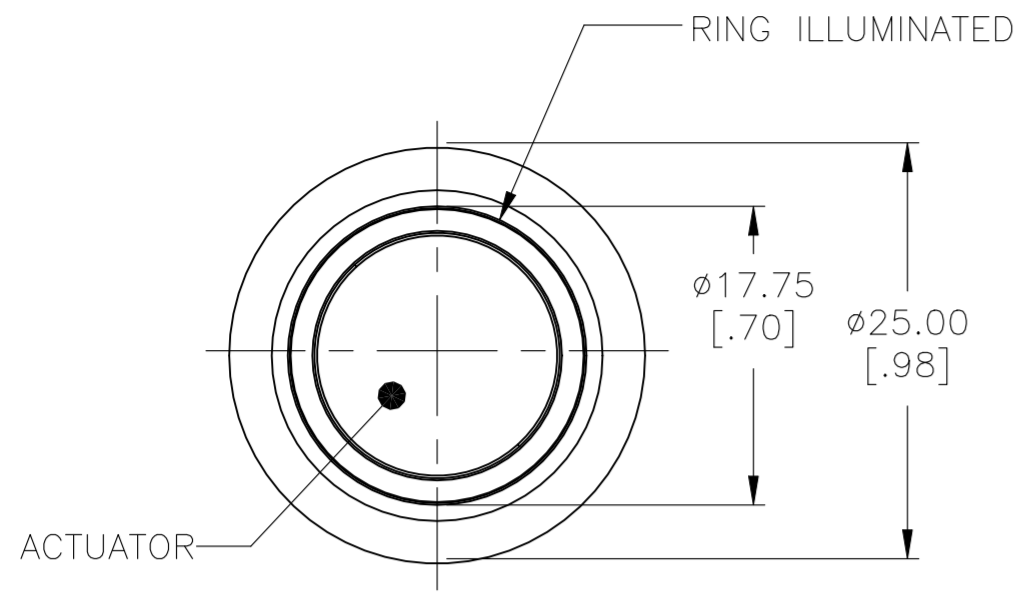
1. ALL MATERIAL AND FINISHES SHALL COMPLY WITH EU DIRECTIVE 2002/95/EC OF 27JAN2003(ROHS).

THIS DRAWING IS A CONTROLLED DOCUMENT.		DWN 15MAR2017 SHIVAKUMAR S S		
DIMENSIONS: mm [INCHES]		CHK 15MAR2017 SANJAY SHINDIKAR		
TOLERANCES UNLESS OTHERWISE SPECIFIED:		APVD 15MAR2017 SANJAY SHINDIKAR	NAME	
0 PLC ± -	1 PLC ± 0.4[.016]	PRODUCT SPEC	ANTI-VANDAL SWITCH 22mm DUAL COLOR LED, SOLDER TERMINALS, FLYING LEADS WITH MOVING RING LED	
2 PLC ± 0.25[.010]	3 PLC ± -	APPLICATION SPEC	SIZE	CAGE CODE
4 PLC ± -	ANGLES ± 2°	WEIGHT	A2	00779
MATERIAL	FINISH	CUSTOMER DRAWING	DRAWING NO	RESTRICTED TO
-	-	SCALE 1:1	C=2317570	1 OF 5
		SHEET	REV	A1

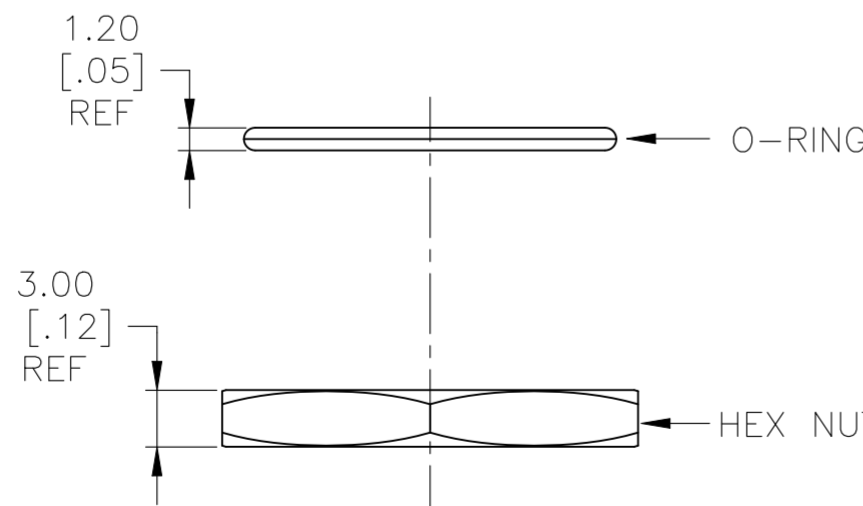
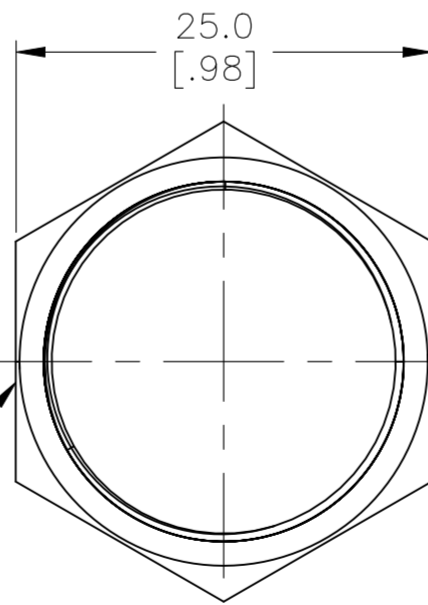
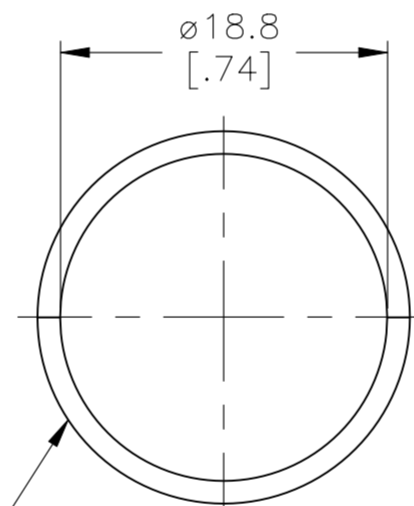
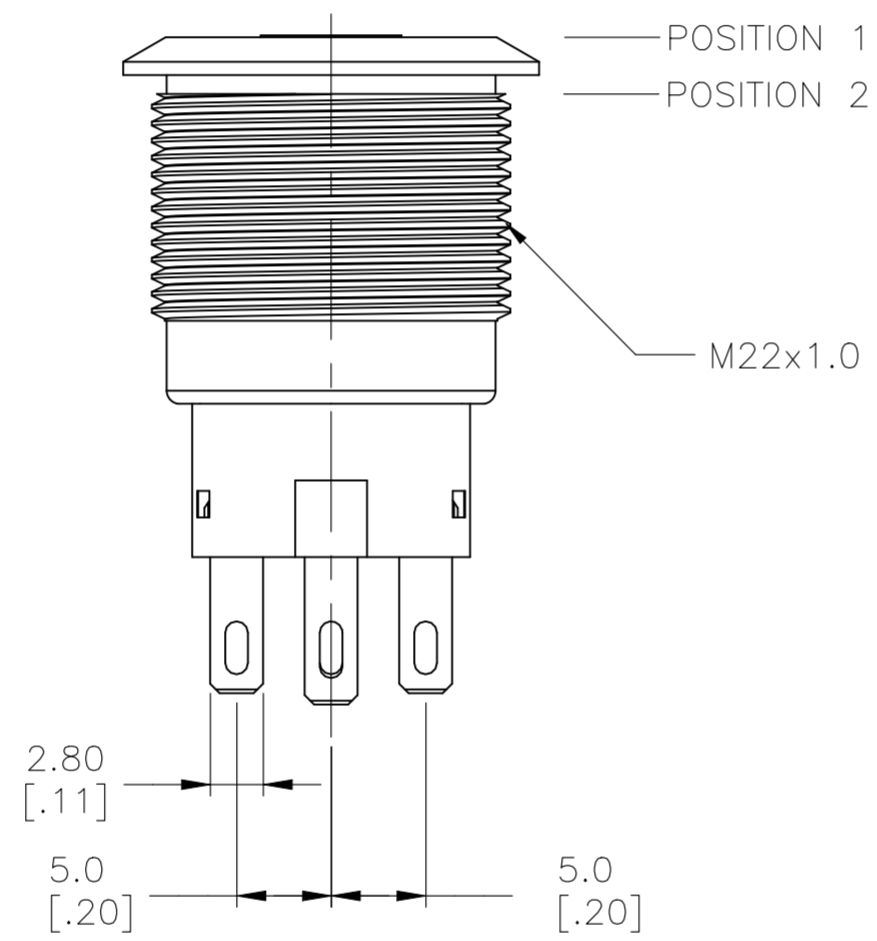
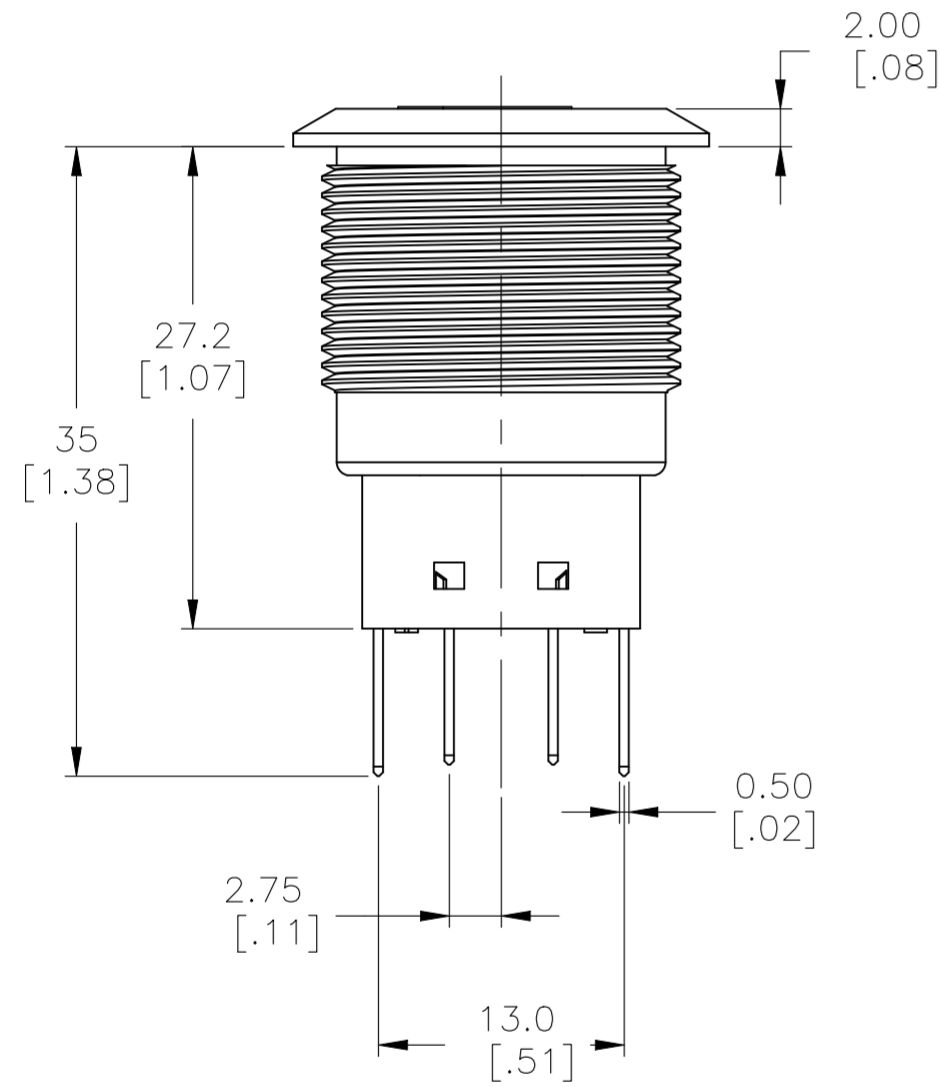
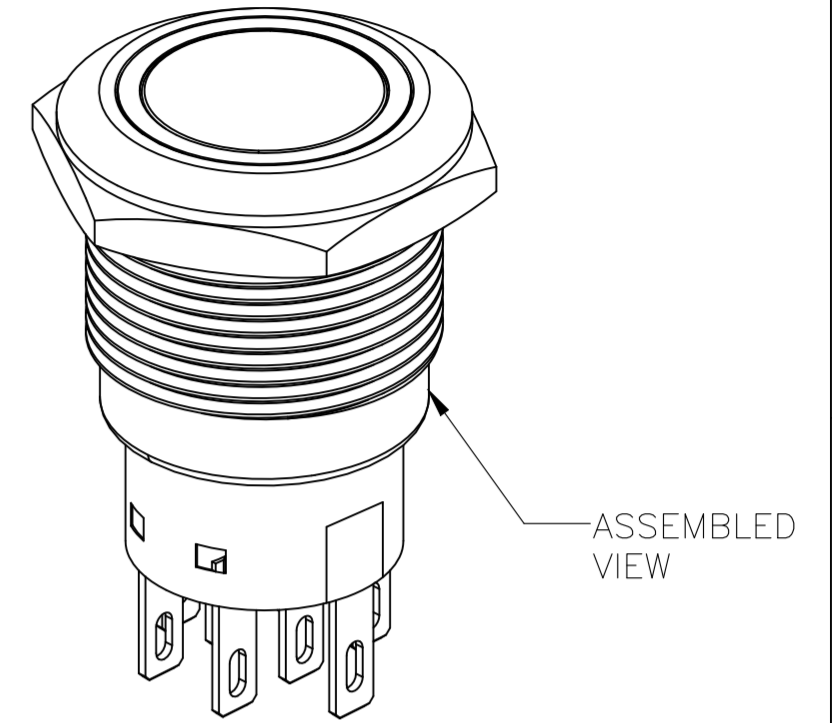
THIS DRAWING IS UNPUBLISHED. RELEASED FOR PUBLICATION
 © COPYRIGHT - By - ALL RIGHTS RESERVED.

REVISIONS					
P	LTR	DESCRIPTION	DATE	DWN	APVD
-	-	SEE SHEET 1	-	-	-

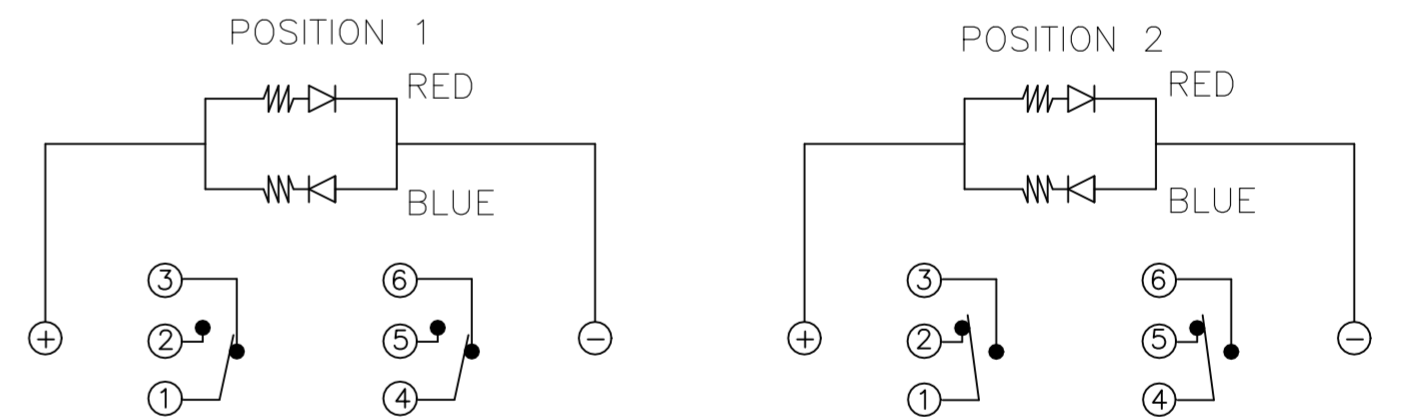
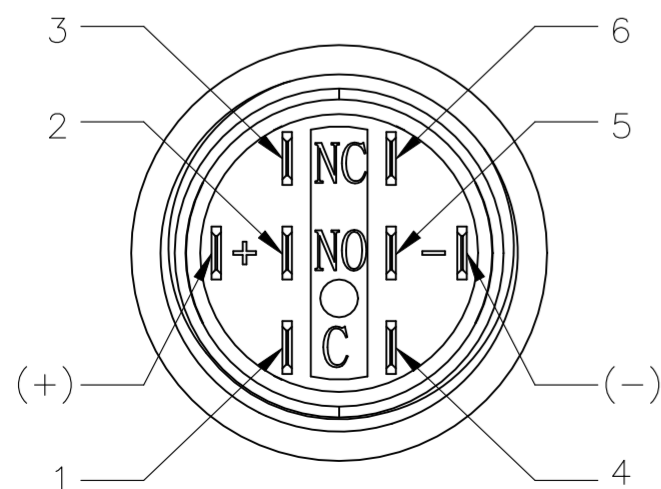
DOUBLE POLE SWITCH WITH DUAL COLOR LED'S



PANEL CUTOUT
 MAX.PANEL THICKNESS: 10.00[.394]



EXPLODED VIEW

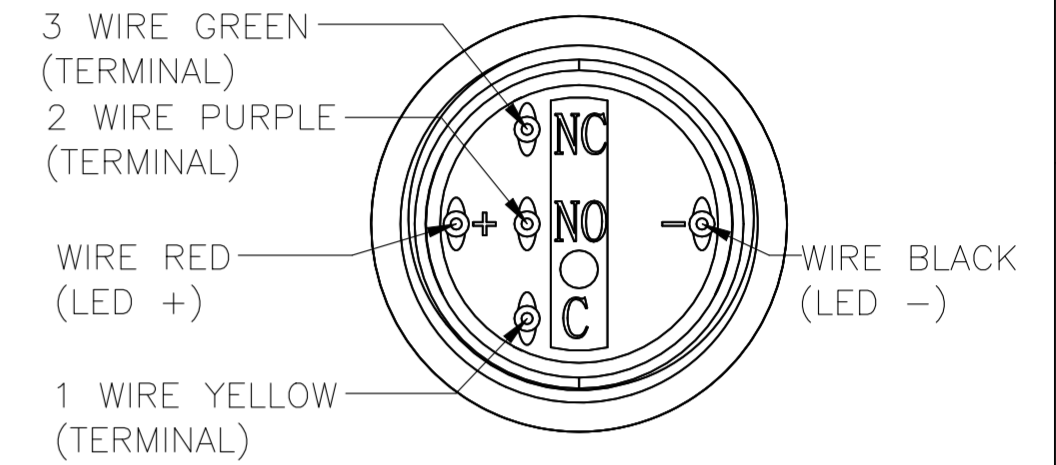
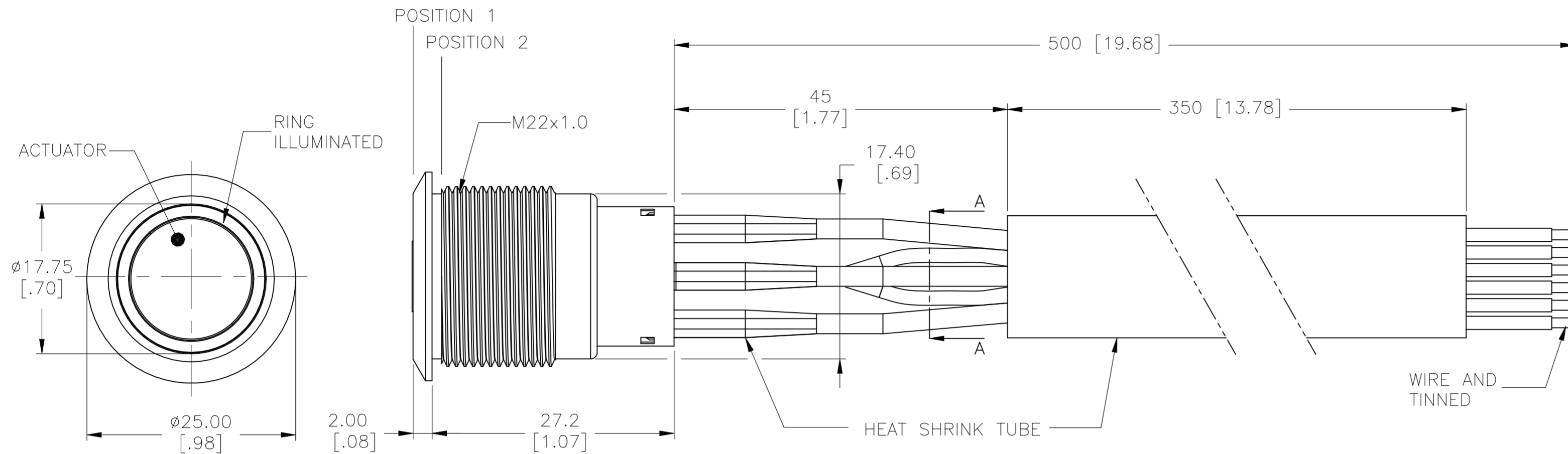


THIS DRAWING IS A CONTROLLED DOCUMENT.		DWN SHIVAKUMAR S S	15MAR2017	STE TE Connectivity
DIMENSIONS: mm [INCHES]		CHK SANJAY SHINDIKAR	15MAR2017	
TOLERANCES UNLESS OTHERWISE SPECIFIED:		APVD SANJAY SHINDIKAR	15MAR2017	NAME ANTI-VANDAL SWITCH 22mm DUAL COLOR LED, SOLDER TERMINALS, FLYING LEADS WITH MOVING RING LED
0 PLC ± - 1 PLC ± 0.4[.016] 2 PLC ± 0.25[.010] 3 PLC ± - 4 PLC ± - ANGLES ± 2°		PRODUCT SPEC	-	
MATERIAL		APPLICATION SPEC	-	SIZE A2
FINISH		WEIGHT	-	CAGE CODE 00779
		CUSTOMER DRAWING		DRAWING NO C=2317570
				RESTRICTED TO -
				SCALE 1:1
				SHEET 2 of 5
				REV A1

THIS DRAWING IS UNPUBLISHED. RELEASED FOR PUBLICATION
 © COPYRIGHT - By - ALL RIGHTS RESERVED.

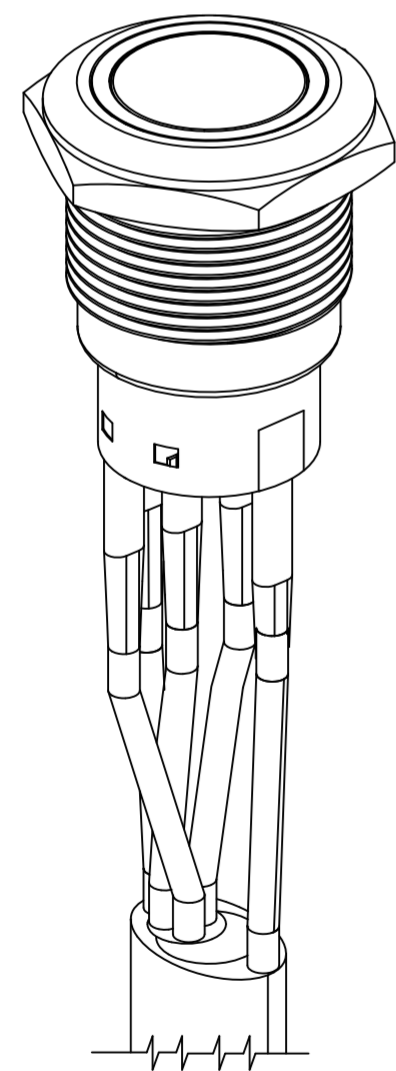
REVISIONS					
P	LTR	DESCRIPTION	DATE	DWN	APVD
-	-	SEE SHEET 1	-	-	-

SINGLE POLE SWITCH WITH DUAL COLOR LED'S AND FLYING LEADS

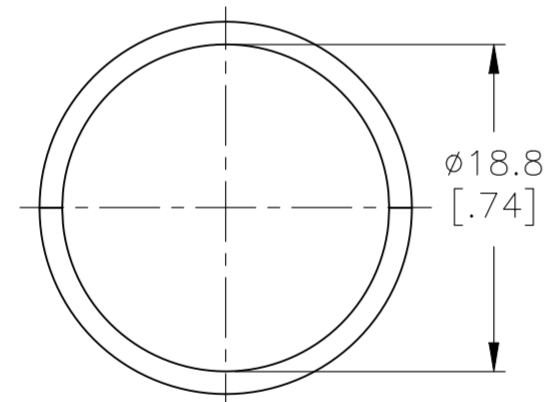


SECTION A-A

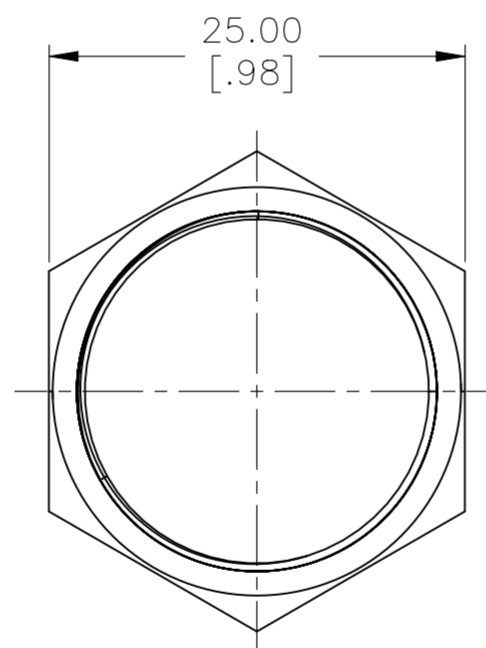
WIRE=18AWG, 300V(BLACK/YELLOW/GREEN/RED/PURPLE)



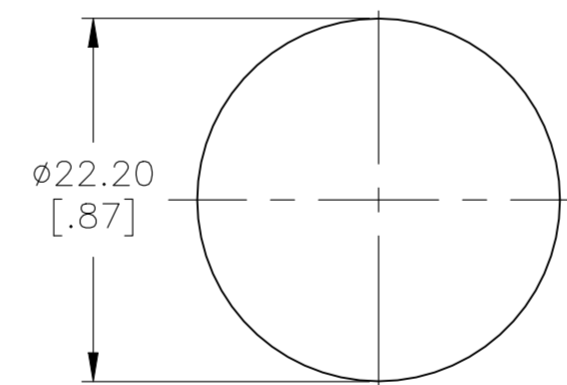
ASSEMBLED VIEW



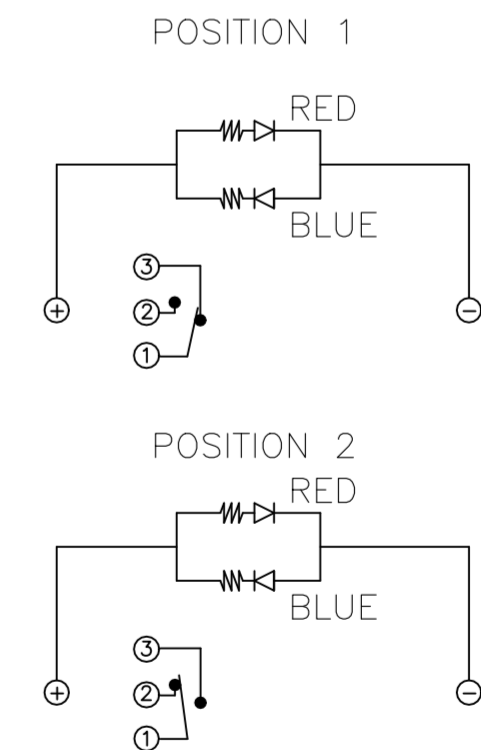
O-RING



HEX NUT



PANEL CUTOUT
MAX.PANEL THICKNESS: 10.00[.394]

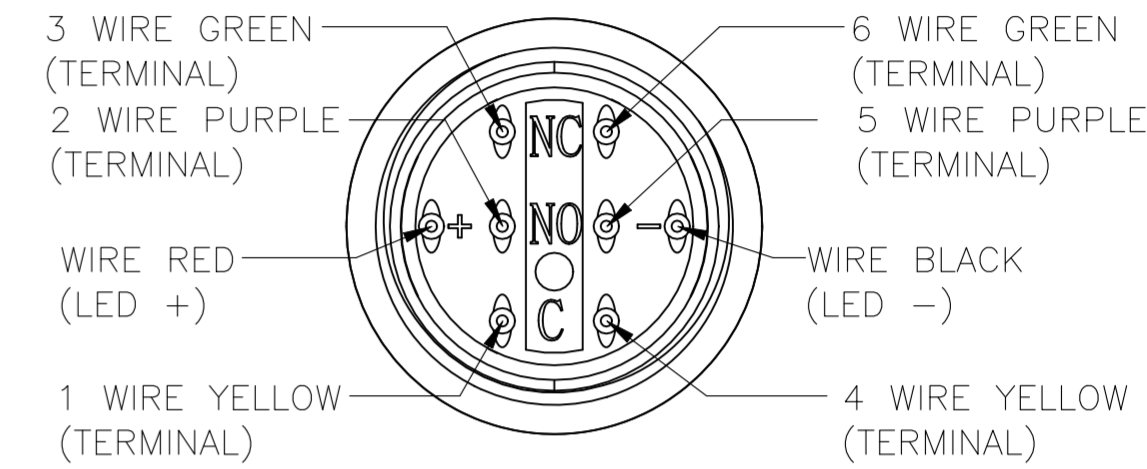
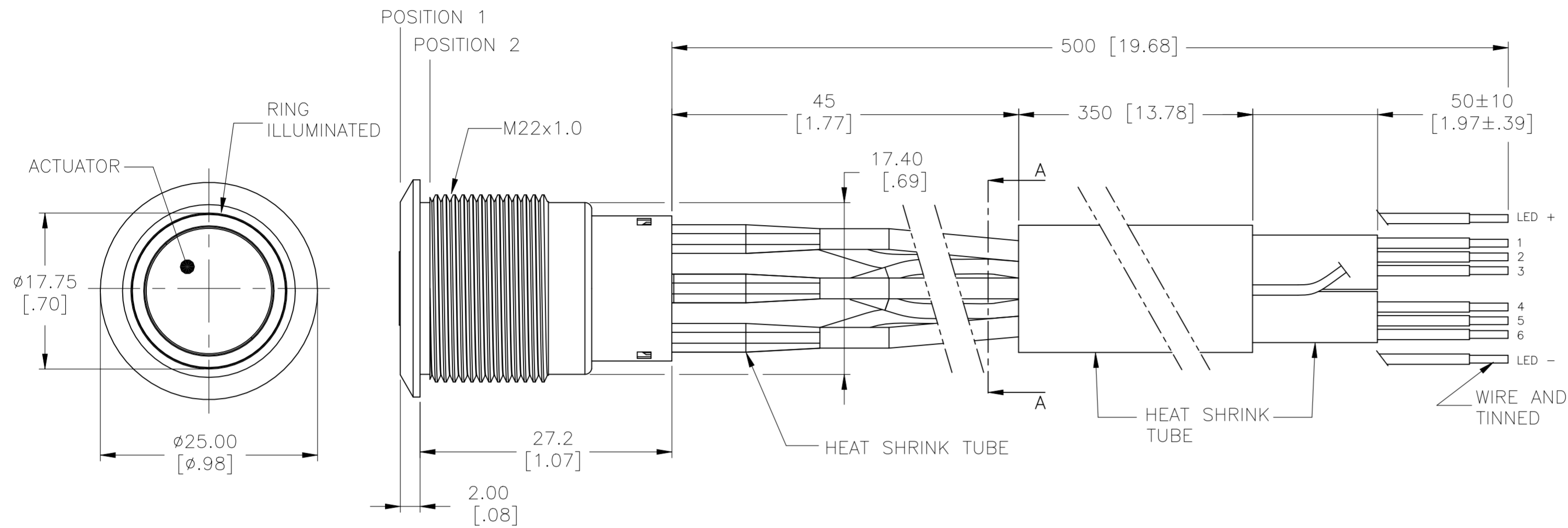


THIS DRAWING IS A CONTROLLED DOCUMENT.		DWN SHIVAKUMAR S S	15MAR2017																			
DIMENSIONS: mm [INCHES]		CHK SANJAY SHINDIKAR	15MAR2017																			
TOLERANCES UNLESS OTHERWISE SPECIFIED:		APVD SANJAY SHINDIKAR	15MAR2017																			
<table border="1"> <tr><td>0 PLC</td><td>±</td><td>-</td></tr> <tr><td>1 PLC</td><td>±</td><td>0.4[.016]</td></tr> <tr><td>2 PLC</td><td>±</td><td>0.25[.010]</td></tr> <tr><td>3 PLC</td><td>±</td><td>-</td></tr> <tr><td>4 PLC</td><td>±</td><td>-</td></tr> <tr><td>ANGLES</td><td>±</td><td>2°</td></tr> </table>		0 PLC	±	-		1 PLC	±	0.4[.016]	2 PLC	±	0.25[.010]	3 PLC	±	-	4 PLC	±	-	ANGLES	±	2°	PRODUCT SPEC	NAME
0 PLC	±	-																				
1 PLC	±	0.4[.016]																				
2 PLC	±	0.25[.010]																				
3 PLC	±	-																				
4 PLC	±	-																				
ANGLES	±	2°																				
MATERIAL	FINISH	APPLICATION SPEC	-		ANTI-VANDAL SWITCH 22mm DUAL COLOR LED, SOLDER TERMINALS, FLYING LEADS WITH MOVING RING LED																	
-		WEIGHT	-		SIZE																	
-		CUSTOMER DRAWING	SCALE 1:1		CAGE CODE																	
-		SHEET 3 OF 5		REV A1	RESTRICTED TO																	

THIS DRAWING IS UNPUBLISHED. RELEASED FOR PUBLICATION
 © COPYRIGHT - By - ALL RIGHTS RESERVED.

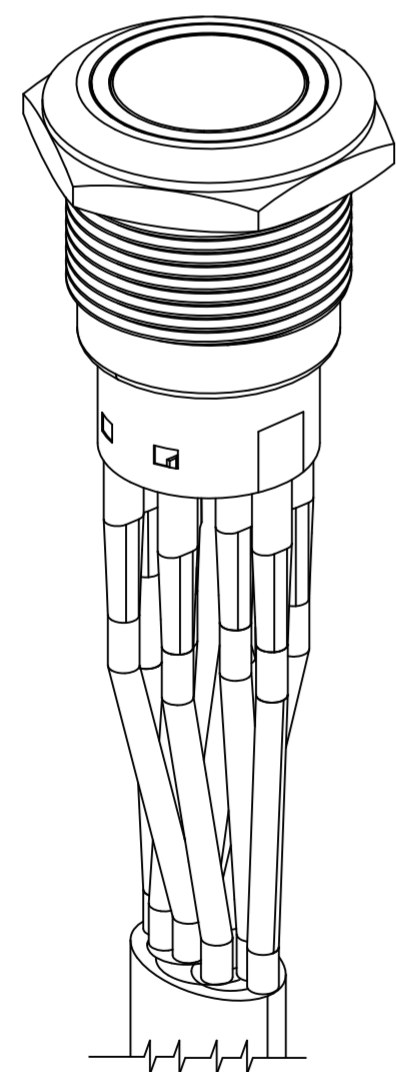
REVISIONS					
P	LTR	DESCRIPTION	DATE	DWN	APVD
-	-	SEE SHEET 1	-	-	-

DOUBLE POLE SWITCH WITH DUAL COLOR LED'S AND FLYING LEADS

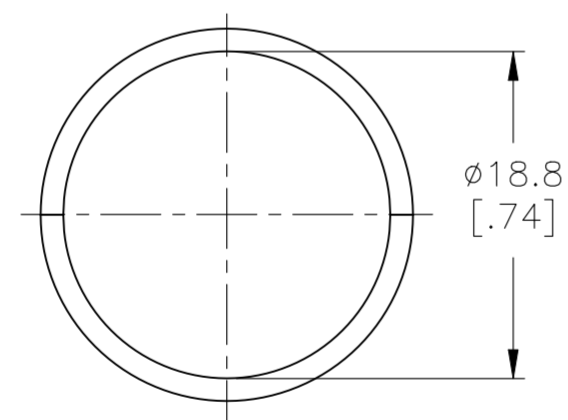


SECTION A-A

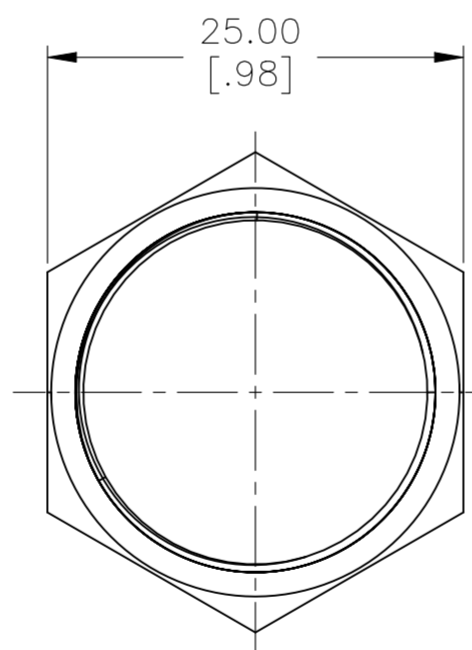
WIRE=18AWG, 300V(BLACK/YELLOW/GREEN/RED/PURPLE)



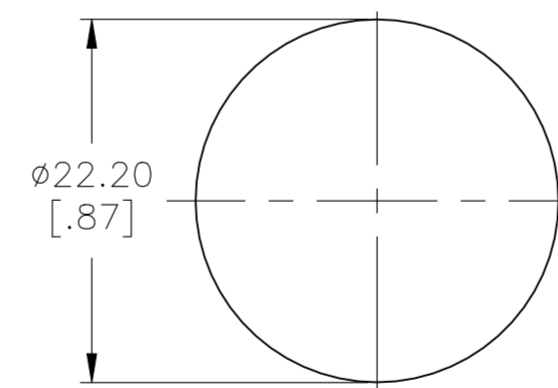
ASSEMBLED VIEW



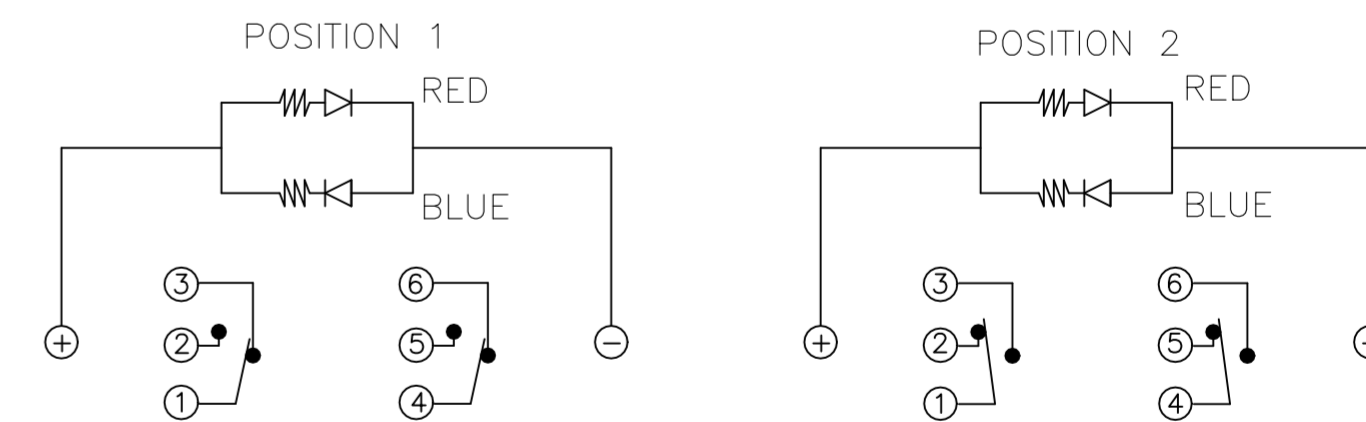
O-RING



HEX NUT



PANEL CUTOUT
MAX.PANEL THICKNESS: 10.00[.394]



THIS DRAWING IS A CONTROLLED DOCUMENT.		DWN 15MAR2017 SHIVAKUMAR S S	TE Connectivity		
DIMENSIONS: mm [INCHES]		CHK 15MAR2017 SANJAY SHINDIKAR			
TOLERANCES UNLESS OTHERWISE SPECIFIED:		APVD 15MAR2017 SANJAY SHINDIKAR	PRODUCT SPEC	SIZE	A2
0 PLC ± -		APPLICATION SPEC	WEIGHT	CAGE CODE	00779
1 PLC ± 0.4[.016]		FINISH	SCALE	DRAWING NO	C=2317570
2 PLC ± 0.25[.010]			CUSTOMER DRAWING	RESTRICTED TO	-
3 PLC ± -			SCALE 1:1	SHEET	4 OF 5
4 PLC ± -				REV	A1
ANGLES ± 2°					

THIS DRAWING IS UNPUBLISHED. RELEASED FOR PUBLICATION
 © COPYRIGHT - By - ALL RIGHTS RESERVED.

REVISIONS					
P	LTR	DESCRIPTION	DATE	DWN	APVD
-	-	SEE SHEET 1	-	-	-

CONTACT PLATING	LIGHT TYPE	TERMINAL OPTION	POLE/THROW	LED COLOR	LED VOLTAGE	TE DESCRIPTIVE PART NUMBER	TE PART NUMBER
SILVER	MOVING RING	FLYING LEAD TERMINALS	DOUBLE POLE - MOMENTARY	RED & YELLOW	24	AV2220EG24T5Q04	4-2317570-7
					12	AV2220EG12T5Q04	4-2317570-6
				RED & BLUE	24	AV2220EB24T5Q04	4-2317570-5
					12	AV2220EB12T5Q04	4-2317570-4
				RED & GREEN	24	AV2220EA24T5Q04	4-2317570-3
					12	AV2220EA12T5Q04	4-2317570-2
			SINGLE POLE - LOCKING	RED & YELLOW	24	AV2211EG24T5Q04	4-2317570-1
					12	AV2211EG12T5Q04	4-2317570-0
				RED & BLUE	24	AV2211EB24T5Q04	3-2317570-9
					12	AV2211EB12T5Q04	3-2317570-8
				RED & GREEN	24	AV2211EA24T5Q04	3-2317570-7
					12	AV2211EA12T5Q04	3-2317570-6
		SINGLE POLE - MOMENTARY	RED & YELLOW	24	AV2210EG24T5Q04	3-2317570-5	
				12	AV2210EG12T5Q04	3-2317570-4	
			RED & BLUE	24	AV2210EB24T5Q04	3-2317570-3	
				12	AV2210EB12T5Q04	3-2317570-2	
			RED & GREEN	24	AV2210EA24T5Q04	3-2317570-1	
				12	AV2210EA12T5Q04	3-2317570-0	
		SOLDER TERMINALS	DOUBLE POLE - MOMENTARY	RED & YELLOW	24	AV2220EG24Q04	1-2317570-8
					12	AV2220EG12Q04	1-2317570-7
				RED & BLUE	24	AV2220EB24Q04	1-2317570-6
					12	AV2220EB12Q04	1-2317570-5
				RED & GREEN	24	AV2220EA24Q04	1-2317570-4
					12	AV2220EA12Q04	1-2317570-3
SINGLE POLE - LOCKING	RED & YELLOW		24	AV2211EG24Q04	1-2317570-2		
			12	AV2211EG12Q04	1-2317570-1		
	RED & BLUE		24	AV2211EB24Q04	1-2317570-0		
			12	AV2211EB12Q04	2317570-9		
	RED & GREEN		24	AV2211EA24Q04	2317570-8		
			12	AV2211EA12Q04	2317570-7		
SINGLE POLE - MOMENTARY	RED & YELLOW	24	AV2210EG24Q04	2317570-6			
		12	AV2210EG12Q04	2317570-5			
	RED & BLUE	24	AV2210EB24Q04	2317570-4			
		12	AV2210EB12Q04	2317570-3			
	RED & GREEN	24	AV2210EA24Q04	2317570-2			
		12	AV2210EA12Q04	2317570-1			

D

D

C

C

B

B

A

A

THIS DRAWING IS A CONTROLLED DOCUMENT.		DWN 15MAR2017 SHIVAKUMAR S S	STE TE Connectivity	
		CHK 15MAR2017 SANJAY SHINDIKAR		
DIMENSIONS: mm [INCHES]		APVD 15MAR2017 SANJAY SHINDIKAR	NAME ANTI-VANDAL SWITCH 22mm DUAL COLOR LED, SOLDER TERMINALS, FLYING LEADS WITH MOVING RING LED	
TOLERANCES UNLESS OTHERWISE SPECIFIED:		PRODUCT SPEC	RESTRICTED TO	
0 PLC ± - 1 PLC ± 0.4[.016] 2 PLC ± 0.25[.010] 3 PLC ± - 4 PLC ± - ANGLES ± 2°		APPLICATION SPEC	SIZE CAGE CODE DRAWING NO	
MATERIAL		WEIGHT -	A2 00779 C=2317570	
FINISH		CUSTOMER DRAWING		SCALE 1:1 SHEET 5 OF 5 REV A1

X-ON Electronics

Largest Supplier of Electrical and Electronic Components

Click to view similar products for [Pushbutton Switches](#) category:

Click to view products by [TE Connectivity](#) manufacturer:

Other Similar products are found below :

[8940K2012](#) [LW1L-M1C10V-A](#) [LW1L-M1C70-A](#) [LW2L-A1C20M-GD](#) [LW2L-M1C20M-A](#) [60324L](#) [M22-D-R-GB0/K11](#) [M7E-HRN2](#)
[67021K512](#) [67081K512X](#) [701PB580](#) [7199K101](#) [810K12910](#) [810KSV30B](#) [MML21EA2ADK](#) [MML21KA3ABK](#) [MML23KA3AC05K-001](#)
[MML23KW3AA01W](#) [8418K2](#) [8442K3](#) [8450K1](#) [860K11911T01A](#) [861901](#) [861K11911T01A07](#) [861K13810T00A14](#) [861K13911](#)
[8646AB6X718UL](#) [8646ABUL](#) [9001KXRK](#) [907AYY100](#) [PMHD155A1](#) [9533CD4+U574+U4922](#) [95-414.000](#) [99-450.837](#) [99-453.837](#)
[PV3H2B0NN-341](#) [1203MRA](#) [A22NZBGANGA](#) [A22NZBNANGA](#) [A22NZMPATRA](#) [A2PMA1X03EC56](#) [A3A-5123-02](#) [A3A-7140](#) [A3A-7310](#) [A3A-7340](#) [A3U-TMW-A2C-5M](#) [A595](#) [12037A2ULCSA](#) [ABD122N-B](#) [1211390004](#)