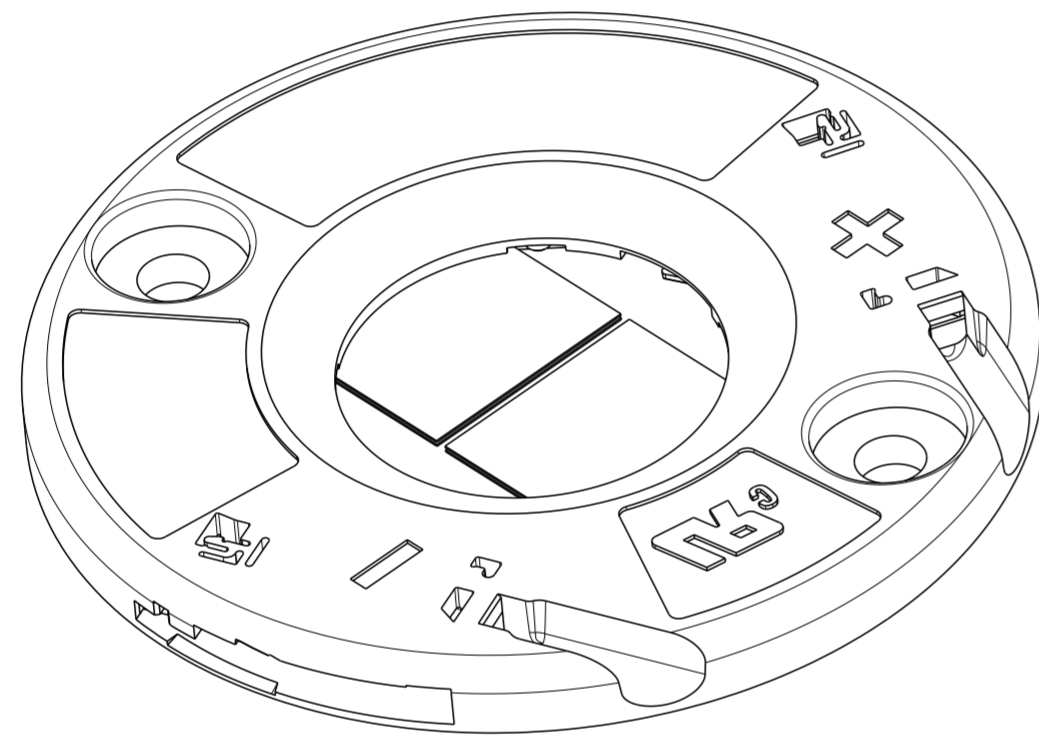


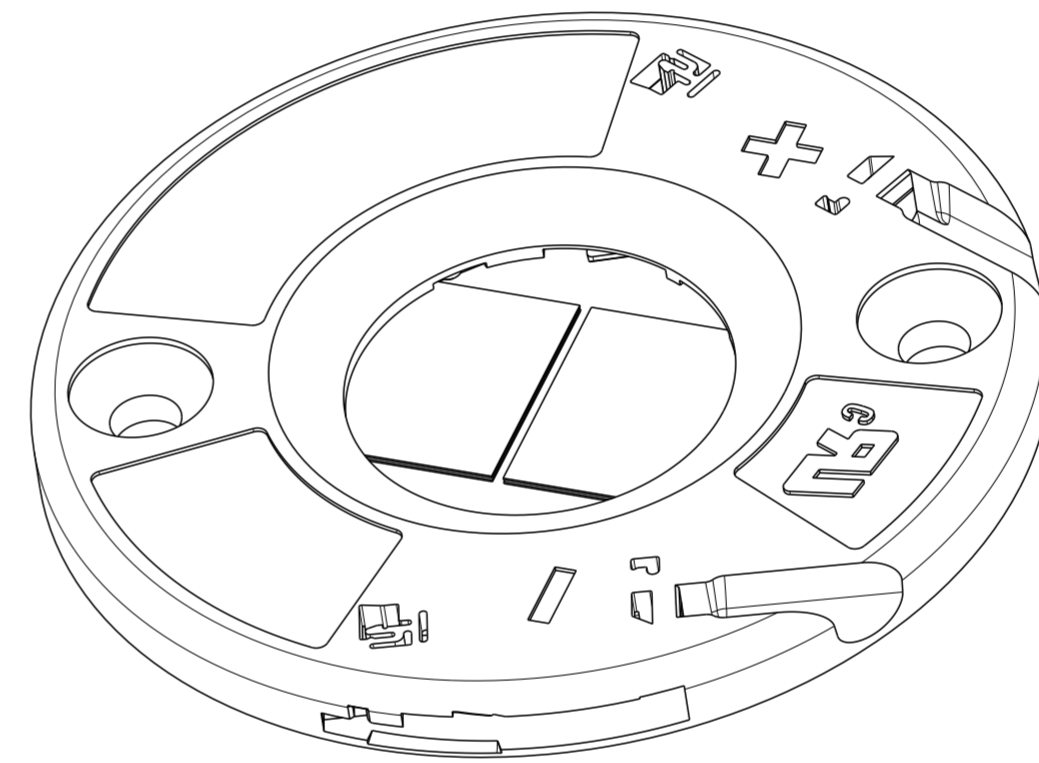
THIS DRAWING IS UNPUBLISHED. RELEASED FOR PUBLICATION 20
 © COPYRIGHT 20 BY - ALL RIGHTS RESERVED.

| REVISIONS | | | | |
|-----------|-----|---------------|-----------|-------|
| P | LTR | DESCRIPTION | DATE | APVD |
| B1 | | ECR-19-013004 | 26AUG2019 | SR JL |
| B2 | | ECR-20-000836 | 23JAN2020 | SB JL |
| B3 | | ECR-20-002949 | 02MAR2020 | SR JL |
| B4 | | ECR-20-006986 | 18MAY2020 | SR DD |

- 1 MATERIALS:
 HOLDER: PBT ,COLOR: NATURAL;
 CONTACTS: COPPER ALLOY, Au/Ni PLATING (LED INTERFACE)
- 2. FOR SOLID, FUSED AND STRANDED CONDUCTOR WIRE TYPES AWG 18 AND 20
- 3. WIRE STRIP LENGTH: 11-12mm
- 4. MAX. WIRE INSULATION OUTER DIA: $\varnothing 2,3\text{mm}$
- 5. RECOMMENDED SCREW TORQUE: SEE APPLICATION SPECIFICATION 114-133107.
- 6. SCREWS TO BE USED: M3, #4-40
- 7. LED MATING ON 2 CORNERS WITH ADHESIVE TAPE 3M 9472LE 300LSE.
- 8 LAYOUTS ON SHEET 4
- 9. FOR COB-TO-HOLDER CROSS REFERENCE, REFER TO APPLICATION SPECIFICATION 114-32208
- 10 PACKAGED ONE TRAY OF 20 PCS PER BOX, 10 BOXES PER SHIPPING CARTON.



PAN HEAD
SCALE 3:1



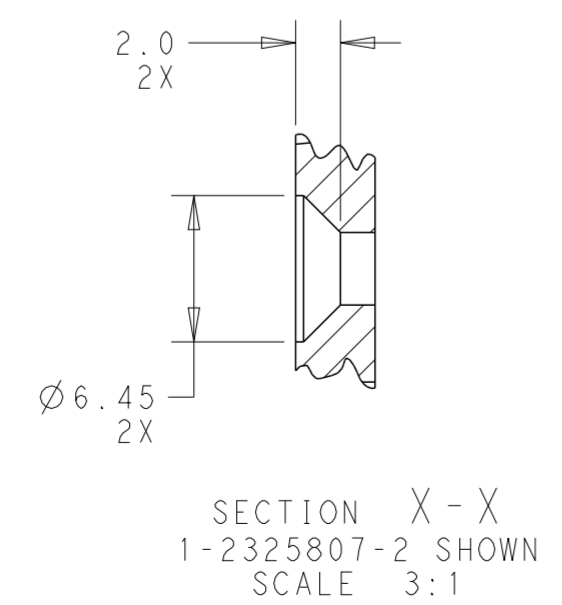
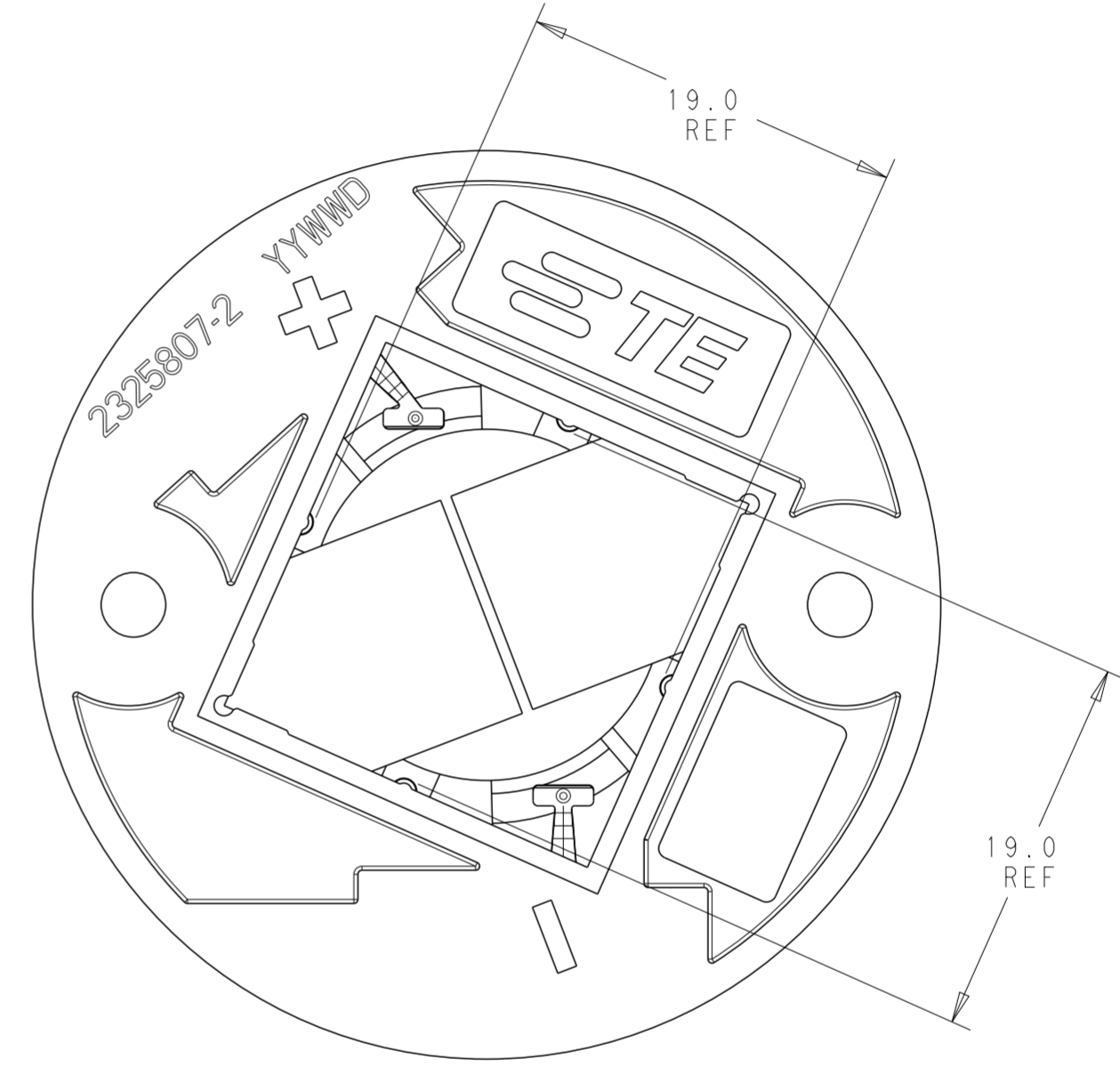
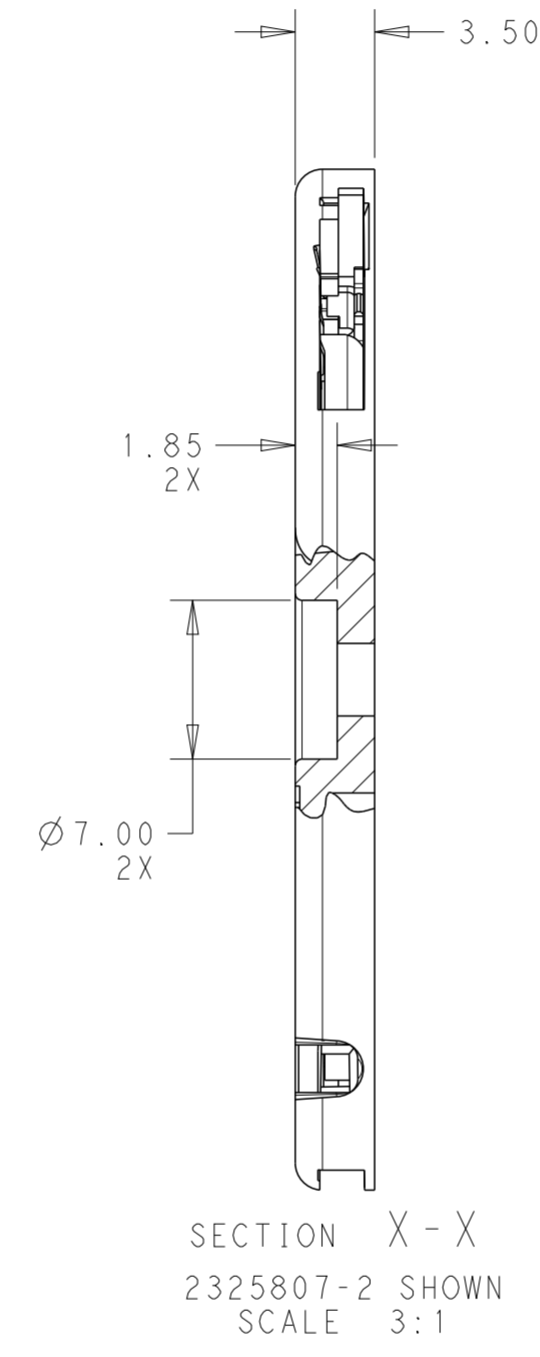
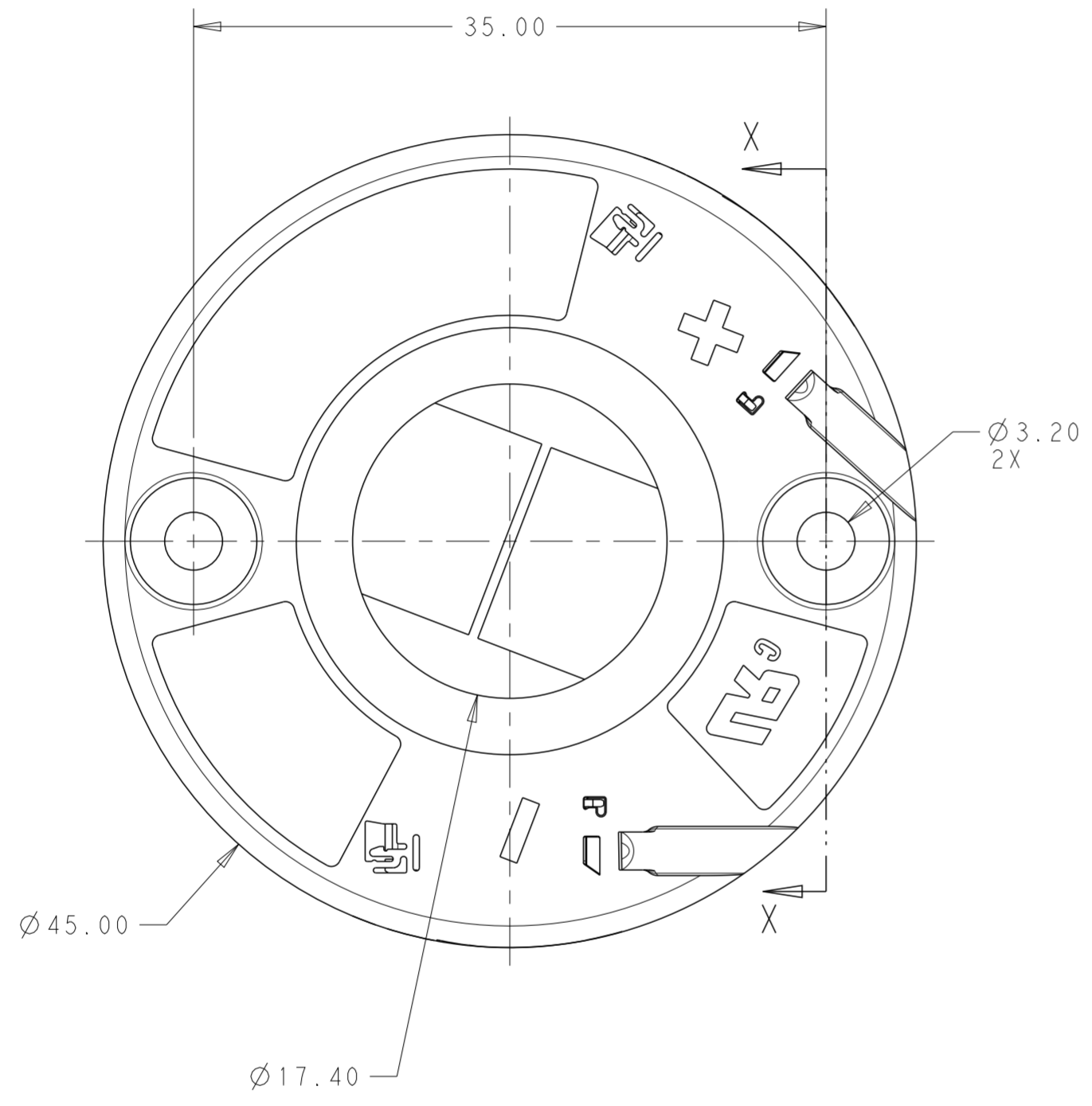
COUNTERSINK
SCALE 3:1

| | | | |
|----|--------------|-------------|-------------|
| 10 | B | COUNTERSINK | 5-2325807-3 |
| | B | PAN HEAD | 4-2325807-3 |
| | A | PAN HEAD | 4-2325807-2 |
| | B | COUNTERSINK | 1-2325807-3 |
| | B | PAN HEAD | 2325807-3 |
| | A | COUNTERSINK | 1-2325807-2 |
| | A | PAN HEAD | 2325807-2 |
| | LED LAYOUT 8 | DESCRIPTION | PART NO. |

| | | | | |
|--|--|--------------------------------|---|---------------------|
| THIS DRAWING IS A CONTROLLED DOCUMENT. | | DWN C. DAILY 18DEC2017 | TE Connectivity | |
| | | CHK J. LATORRE 18DEC2017 | | |
| DIMENSIONS: | TOLERANCES UNLESS OTHERWISE SPECIFIED: | APVD - | NAME LED HOLDER, 19x19 LUMAWISE Z45 LED | RESTRICTED TO |
| mm | 0 PLC ± 1 PLC ±0.2 2 PLC ±0.13 3 PLC ± 4 PLC ± | PRODUCT SPEC 108-133062 | SIZE A2 | |
| MATERIAL | FINISH - | APPLICATION SPEC 114-133107 | CAGE CODE 00779 | |
| | | WEIGHT - | DRAWING NO C-2325807 | |
| | | CUSTOMER DRAWING | SCALE 2:1 | SHEET 1 OF 4 REV B4 |

THIS DRAWING IS UNPUBLISHED. RELEASED FOR PUBLICATION 20
 © COPYRIGHT 20 BY - ALL RIGHTS RESERVED.

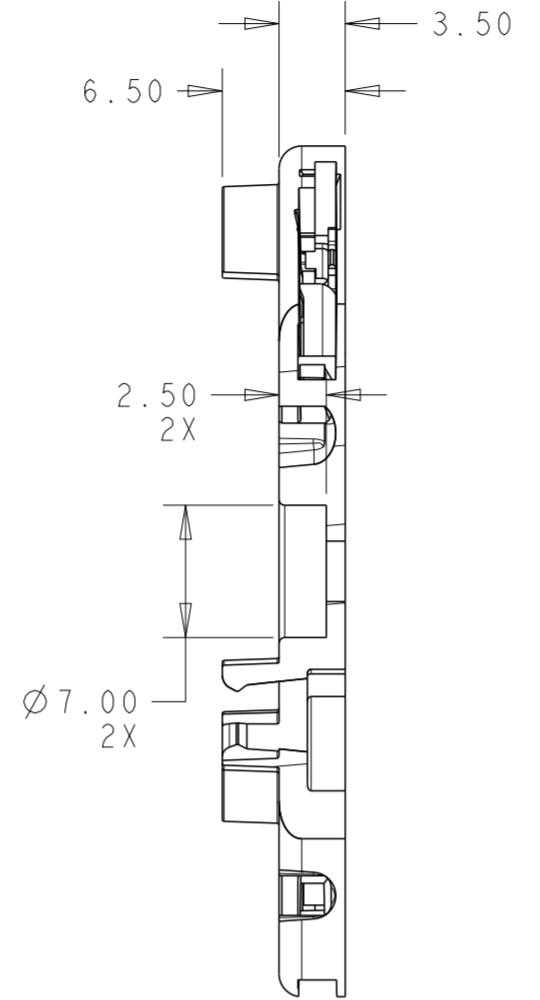
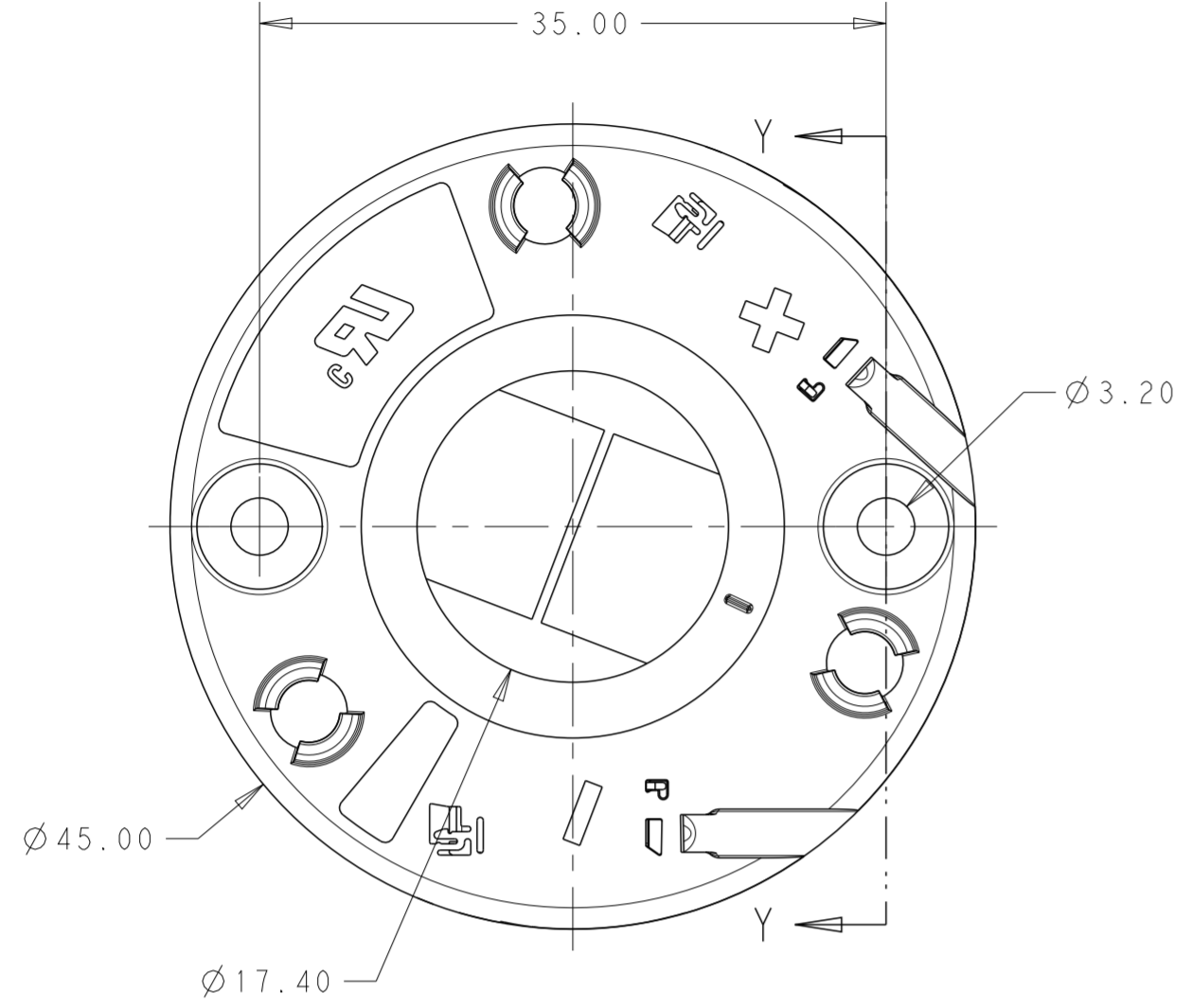
| REVISIONS | | | | |
|-----------|-----|-------------|------|------|
| P | LTR | DESCRIPTION | DATE | APVD |
| - | - | SEE SHEET 1 | - | - |
| | | | | |
| | | | | |



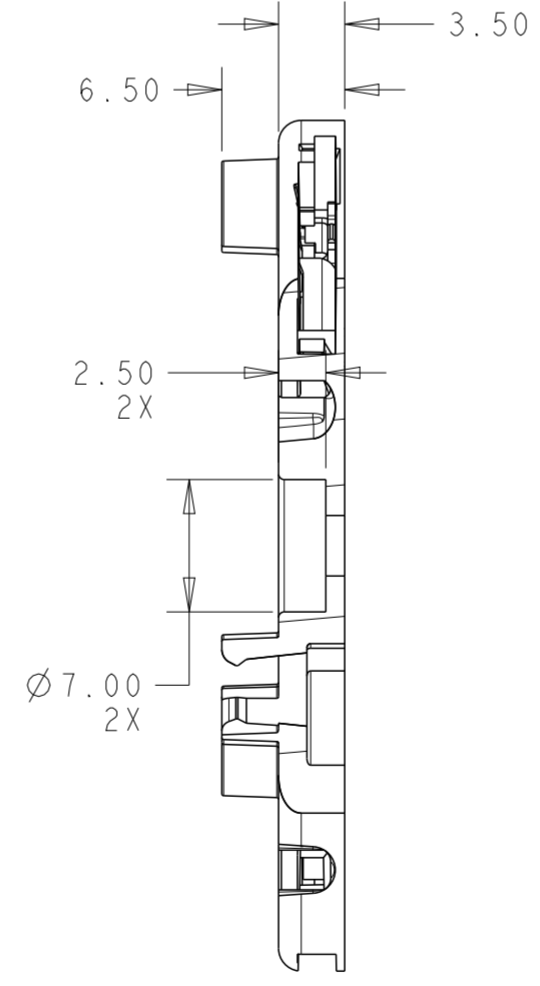
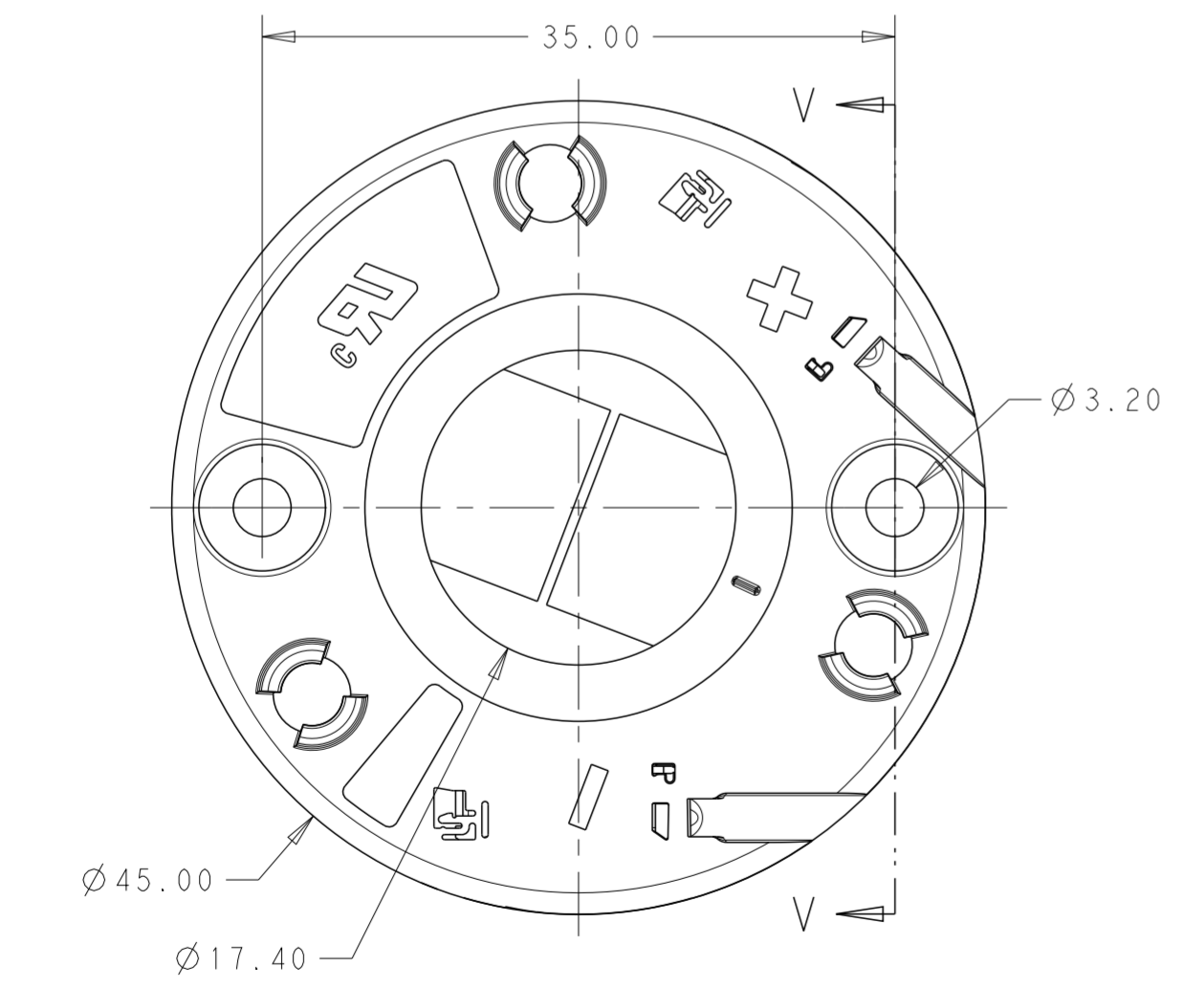
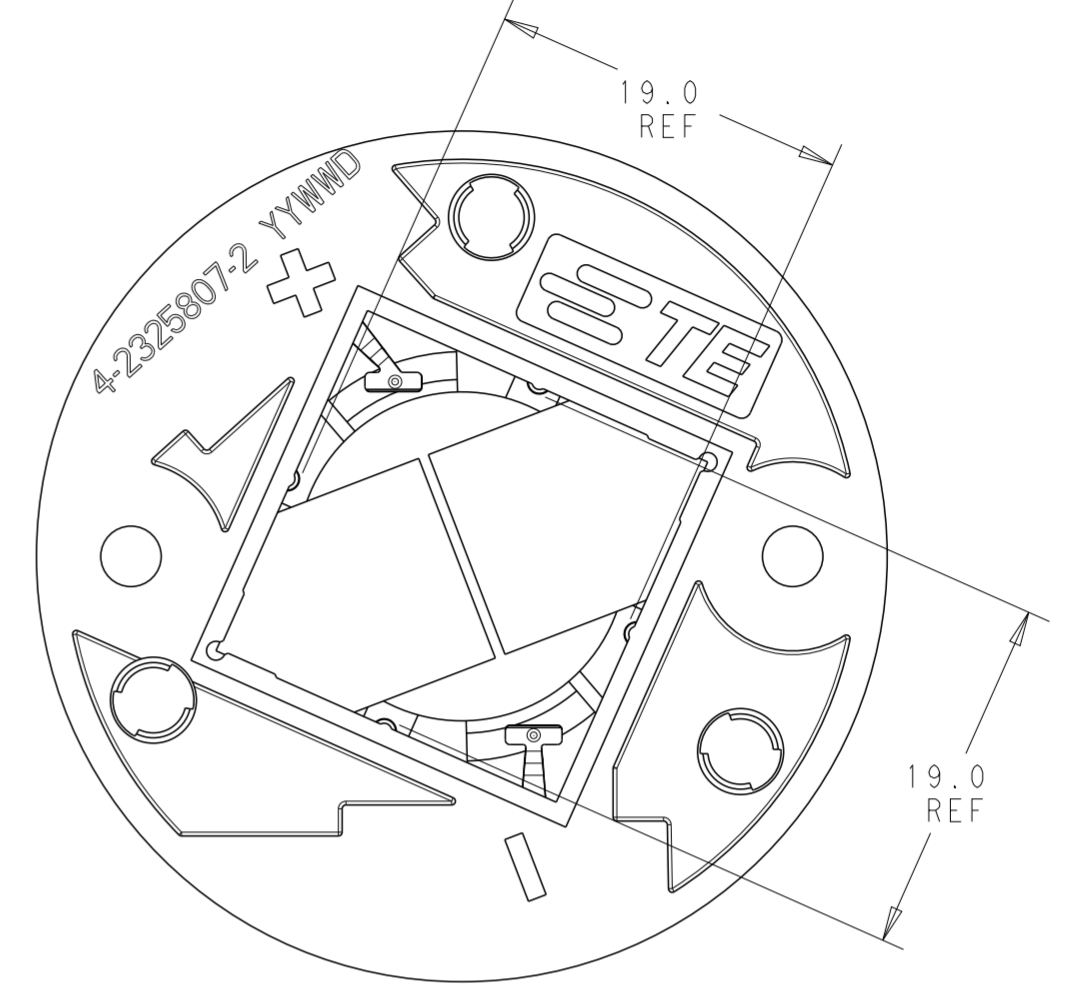
| | | | | |
|--|--|--|----------------------------|---|
| THIS DRAWING IS A CONTROLLED DOCUMENT. | | DWN C. DAILY 18DEC2017 | STE TE Connectivity | |
| | | CHK J. LATORRE 18DEC2017 | | |
| DIMENSIONS: mm | | TOLERANCES UNLESS OTHERWISE SPECIFIED: | | APVD - |
| | | 0 PLC | ± | NAME LED HOLDER, 19x19 LUMAWISE Z45 LED |
| | | 1 PLC | ±0.2 | PRODUCT SPEC 108-133062 |
| | | 2 PLC | ±0.13 | APPLICATION SPEC 114-133107 |
| | | 3 PLC | ± | WEIGHT - |
| MATERIAL | | 4 PLC | ± | SIZE A200779 |
| | | ANGLES | ±2° | CAGE CODE C-2325807 |
| | | FINISH | - | DRAWING NO - |
| | | | - | RESTRICTED TO - |
| | | | - | SCALE 3:1 |
| | | | - | SHEET 2 OF 4 |
| | | | - | REV B4 |
| | | | - | CUSTOMER DRAWING |

THIS DRAWING IS UNPUBLISHED. RELEASED FOR PUBLICATION 20
 © COPYRIGHT 20 BY - ALL RIGHTS RESERVED.

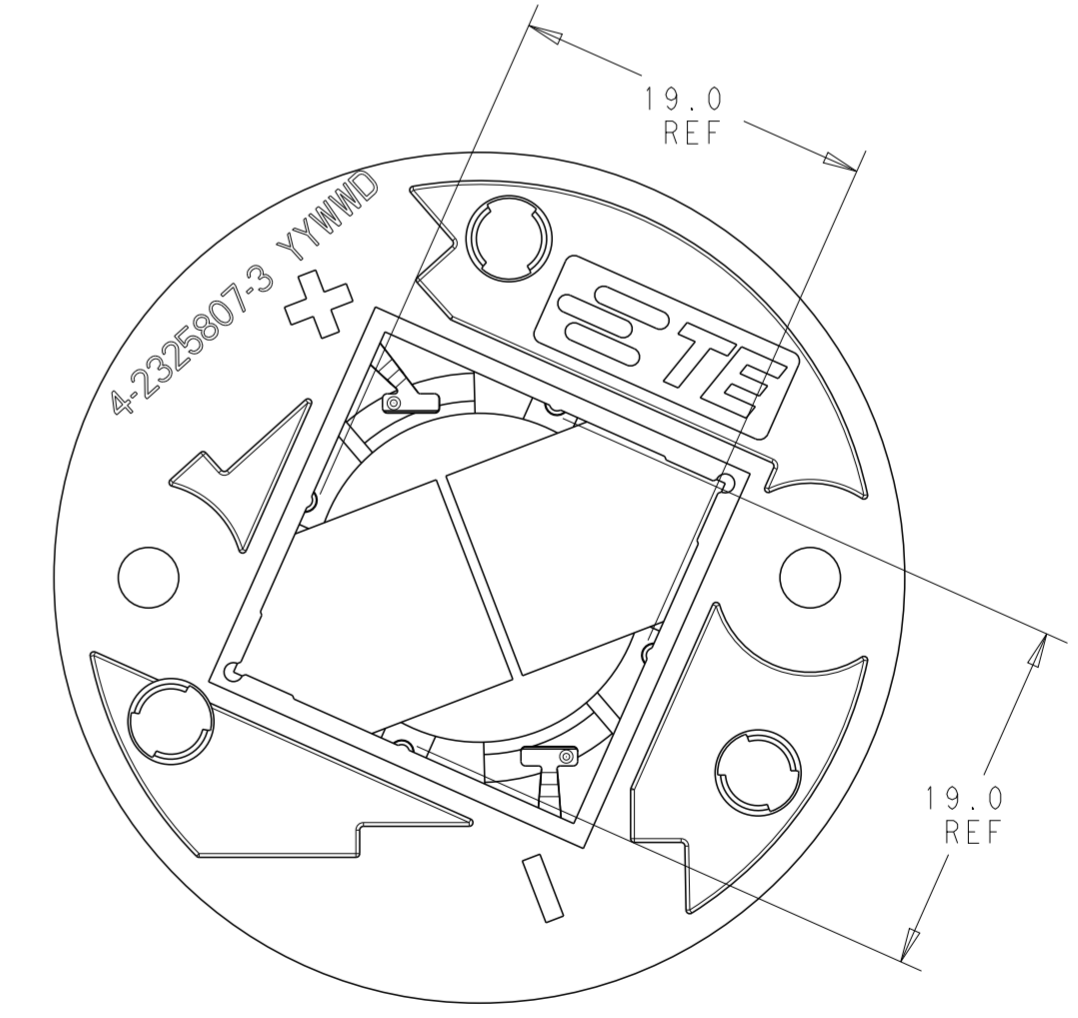
| REVISIONS | | | | |
|-----------|-----|-------------|------|------|
| P | LTR | DESCRIPTION | DATE | APVD |
| - | - | SEE SHEET 1 | - | - |
| | | | | |
| | | | | |



SECTION Y-Y
4-2325807-2 SHOWN



SECTION V-V
4-2325807-3 SHOWN

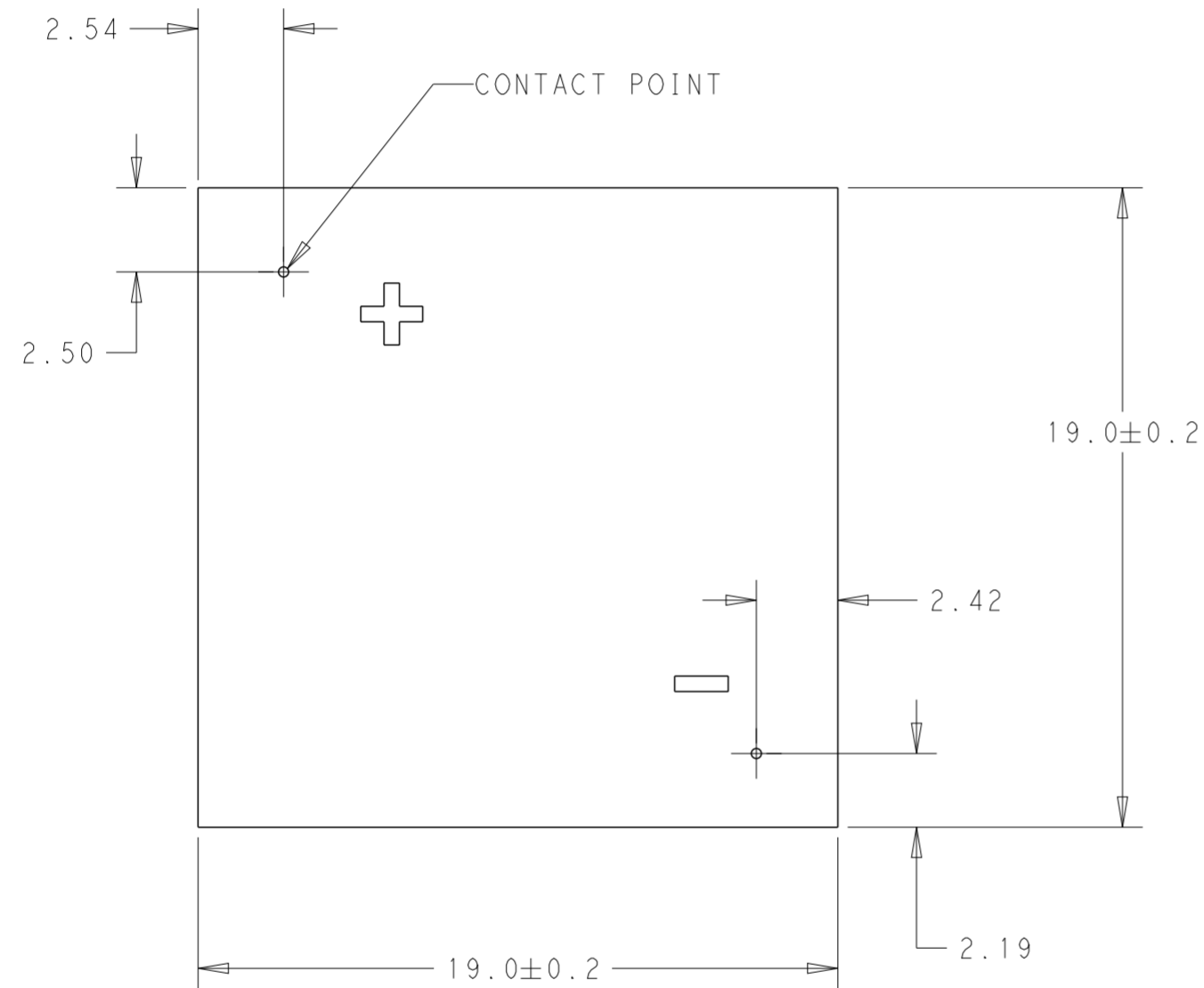


| | | | | |
|--|--|--------------------------------|---|-----------------|
| THIS DRAWING IS A CONTROLLED DOCUMENT. | | DWN C. DAILY 18DEC2017 | STE TE Connectivity | |
| | | CHK J. LATORRE 18DEC2017 | | |
| DIMENSIONS: | | APVD - | NAME LED HOLDER, 19x19 LUMAWISE Z45 LED | |
| mm | TOLERANCES UNLESS OTHERWISE SPECIFIED: | PRODUCT SPEC 108-133062 | SIZE A200779 | |
| | 0 PLC ± | APPLICATION SPEC 114-133107 | CAGE CODE C-2325807 | DRAWING NO |
| | 1 PLC ±0.2 | WEIGHT - | RESTRICTED TO | |
| | 2 PLC ±0.13 | CUSTOMER DRAWING | SCALE 2:1 | SHEET 3 OF 4 |
| | 3 PLC ± | | REV B4 | |
| | 4 PLC ± | | | |
| | ANGLES ±2° | | | |
| | FINISH | | | |

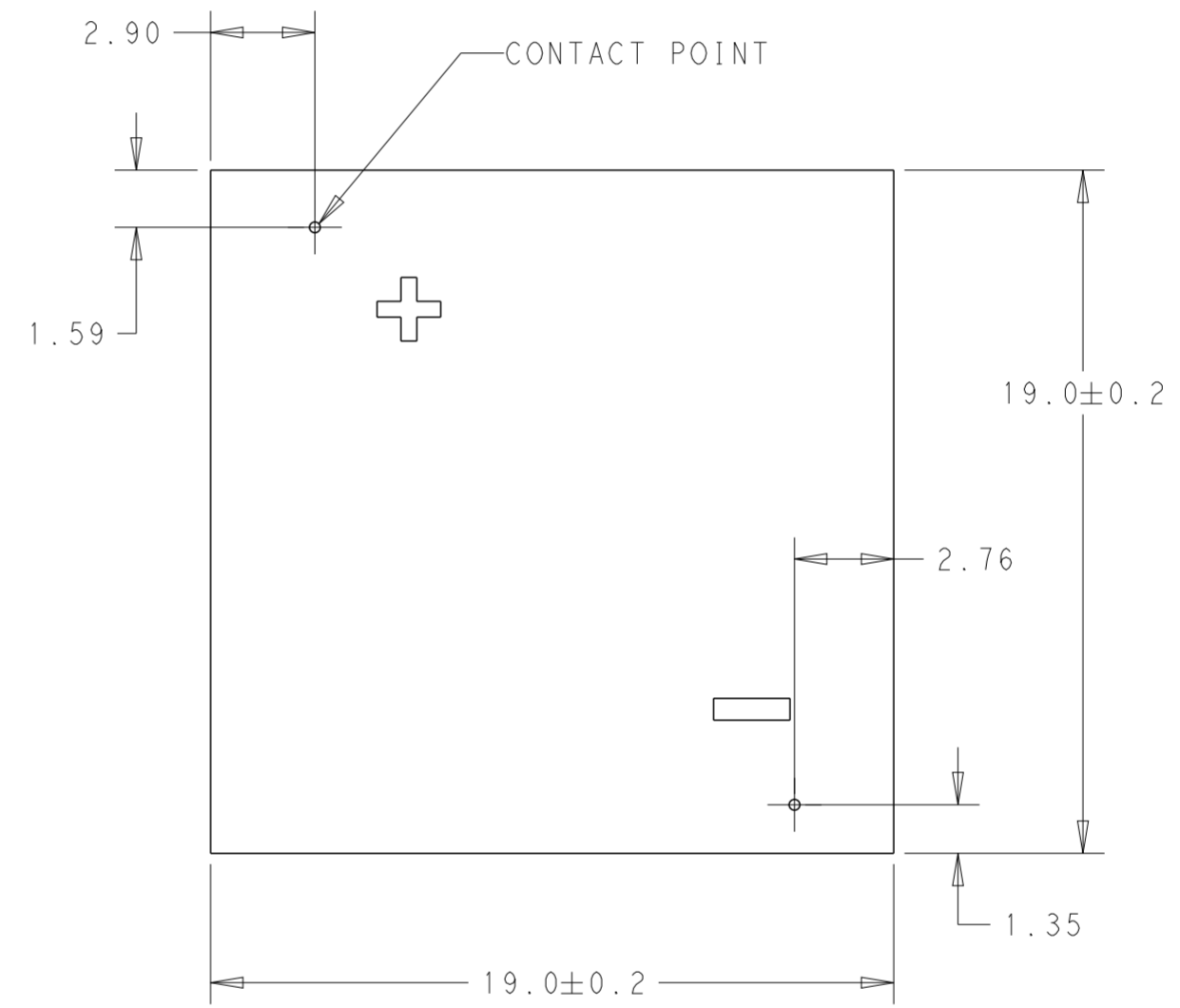
THIS DRAWING IS UNPUBLISHED. RELEASED FOR PUBLICATION 20
 © COPYRIGHT 20 BY - ALL RIGHTS RESERVED.

| REVISIONS | | | | |
|-----------|-----|-------------|------|------|
| P | LTR | DESCRIPTION | DATE | APVD |
| - | - | SEE SHEET 1 | - | - |
| | | | | |
| | | | | |

LED SUBSTRATE LAYOUT A
TOP SIDE OF BOARD



LED SUBSTRATE LAYOUT B
TOP SIDE OF BOARD



| | | | | |
|--|------------|--------------------------------|---|-------------------------|
| THIS DRAWING IS A CONTROLLED DOCUMENT. | | DWN C. DAILY 18DEC2017 | TE Connectivity | |
| DIMENSIONS: mm | | CHK J. LATORRE 18DEC2017 | | |
| TOLERANCES UNLESS OTHERWISE SPECIFIED: | | APVD - | NAME LED HOLDER, 19x19 LUMAWISE Z45 LED | |
| 0 PLC ± | 1 PLC ±0.2 | PRODUCT SPEC 108-133062 | SIZE - | |
| 2 PLC ±0.13 | 3 PLC ± | APPLICATION SPEC 114-133107 | CAGE CODE A200779 | DRAWING NO C-2325807 |
| 4 PLC ± | ANGLES ±2° | WEIGHT - | RESTRICTED TO - | |
| MATERIAL FINISH | - | CUSTOMER DRAWING | SCALE 2:1 | SHEET 4 OF 4 |
| | | | | REV B4 |

X-ON Electronics

Largest Supplier of Electrical and Electronic Components

Click to view similar products for [LED Lighting Mounting Accessories](#) category:

Click to view products by [TE Connectivity](#) manufacturer:

Other Similar products are found below :

[C16142_HEKLA-SOCKET-K](#) [3SU1401-1BG20-1AA0](#) [3SU1900-0BC31-0NB0](#) [ES16-RT](#) [1SFA616921R2042](#) [1SFA616921R2131](#)
[1SFA616921R2133](#) [1SFA616921R2143](#) [1SFA611621R1093](#) [B8910020](#) [D3980022](#) [E3990022](#) [E3990040](#) [CABI12 E BK 1M SET PRM](#)
[FLAT8 H/U BK 1M SET PRM](#) [BEGTIN12 J/S BK 1M SET PRM](#) [1-2213678-6](#) [C16791_CLAMP-Z45-A](#) [F17250_SOLDER-CLIP-A](#) [CM22-](#)
[4-20MA](#) [CM22-R10K-MT](#) [CM22-R1K](#) [CM22-R50K](#) [CM22-R5K-MT](#) [CM22-SLR](#) [10465](#) [M22-A](#) [M22-CK11](#) [M22-CK20](#) [M22G-XGPV](#)
[M22-K01](#) [M22-LCH-W](#) [M22-LC-R](#) [M22-LED230-R](#) [M22-LED230-W](#) [M22-LEDC230-G](#) [M22-LEDC-G](#) [M22-LEDC-W](#) [M22-LED-G](#)
[M22-LED-W](#) [M22-L-G](#) [M22-LH-G](#) [M22-LH-R](#) [M22-LH-W](#) [M22-L-R](#) [M22-L-W](#) [M22-L-X](#) [M22-MS](#) [M22-R10K](#) [M22-R1K](#)