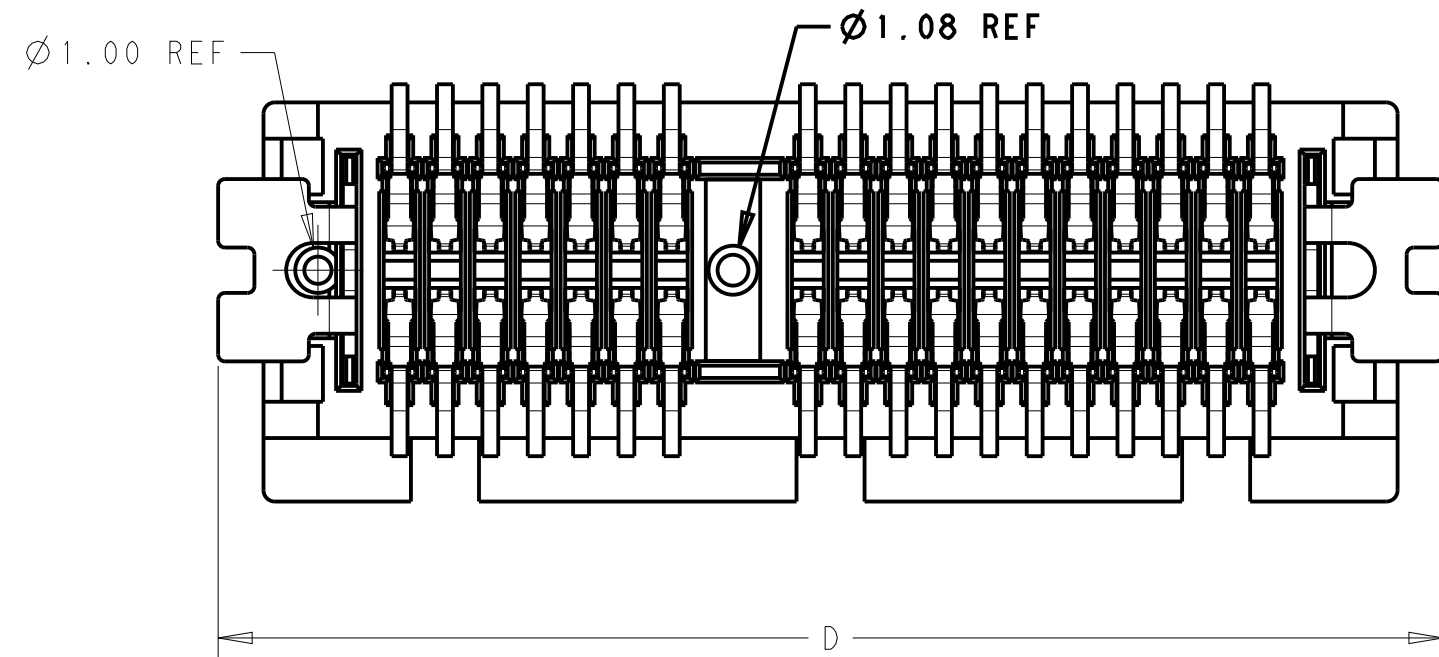
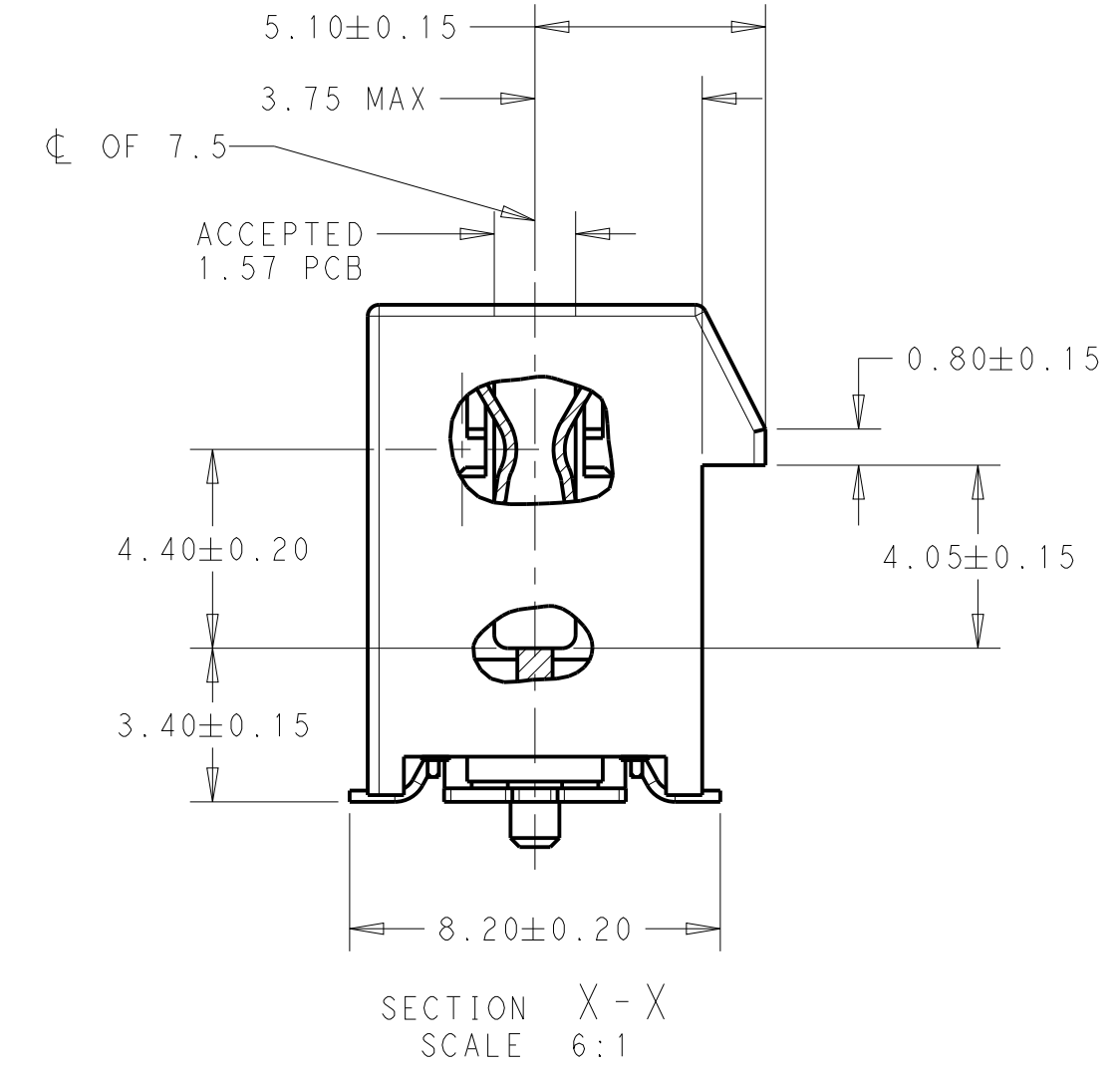
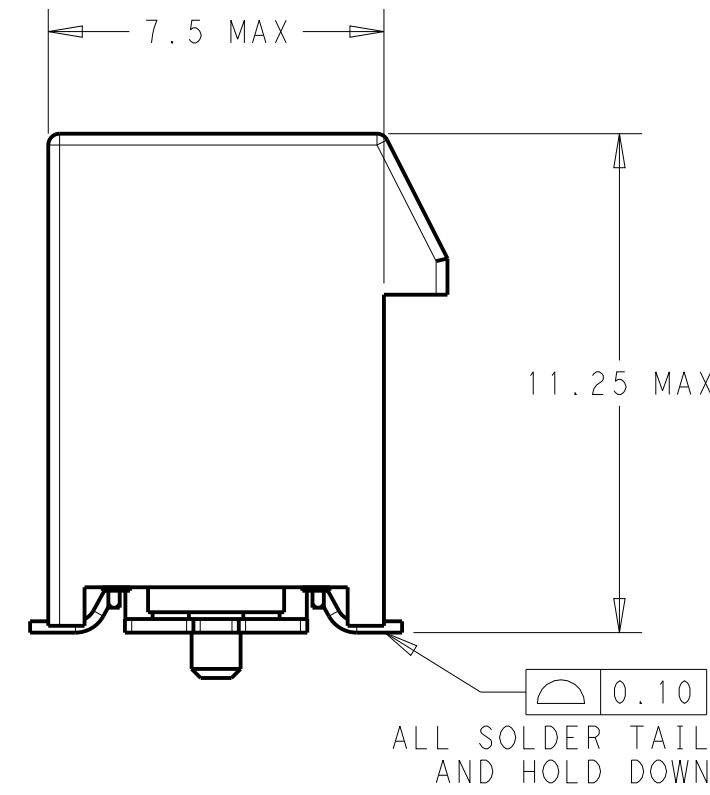
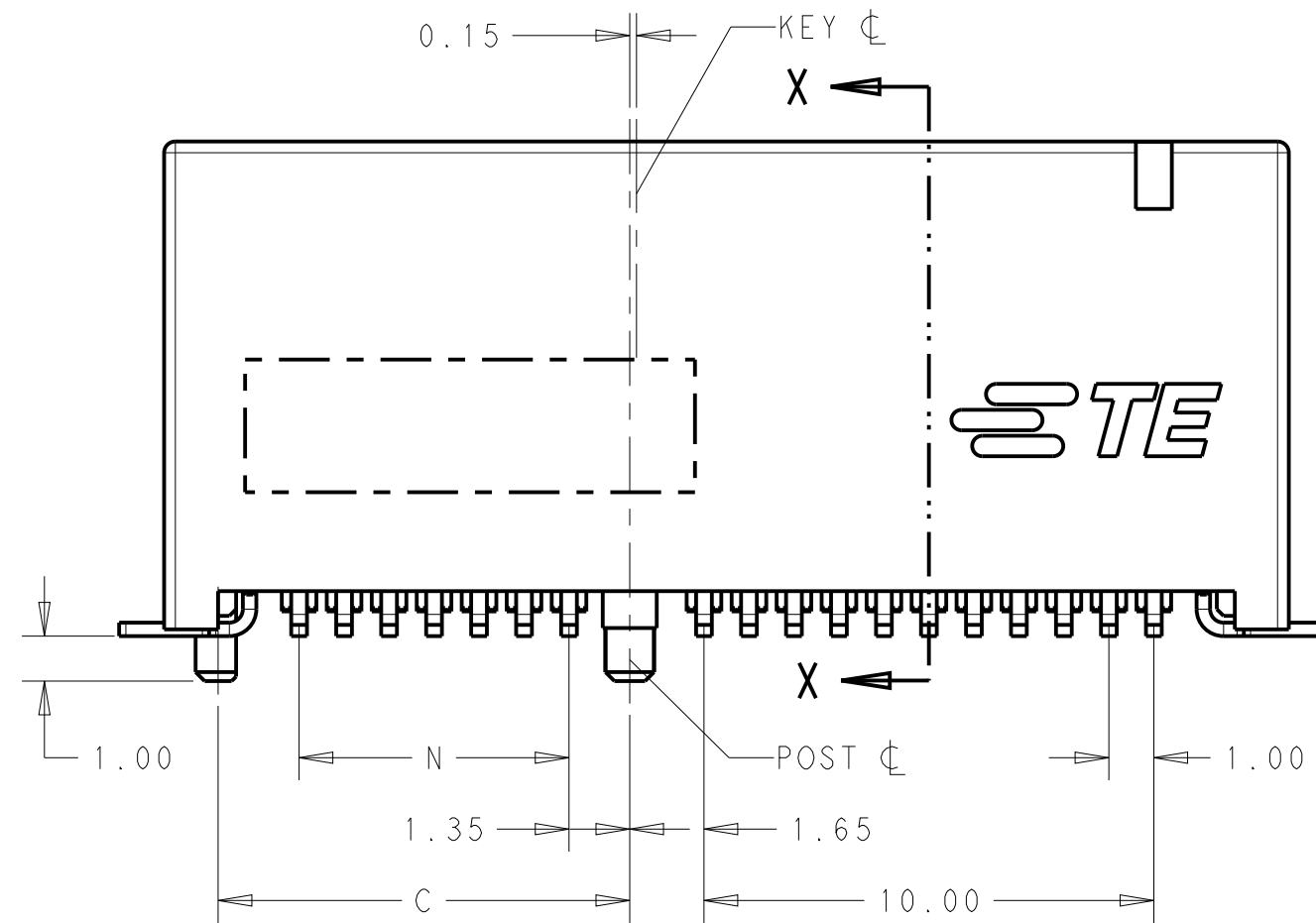
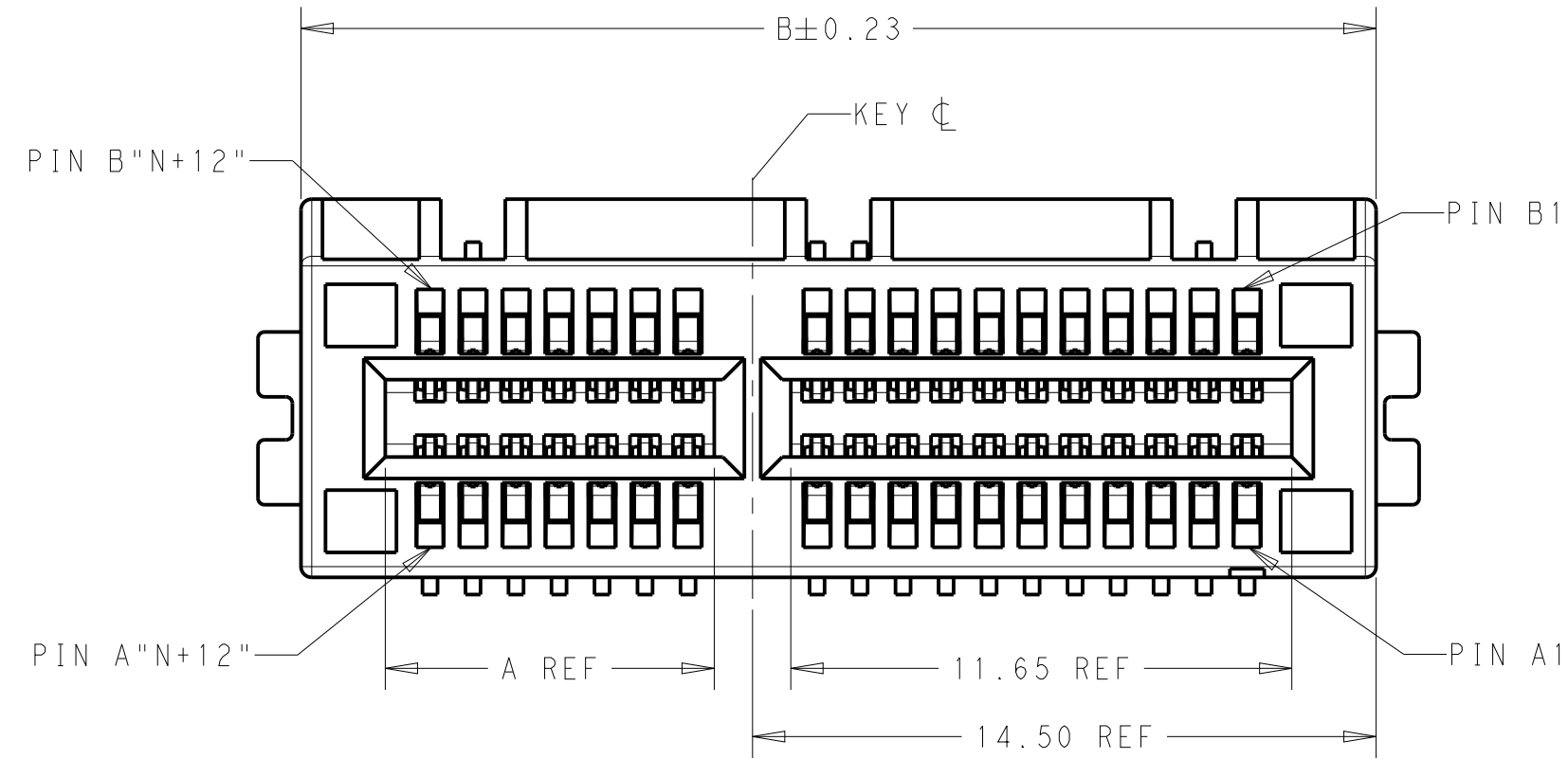


THIS DRAWING IS UNPUBLISHED. RELEASED FOR PUBLICATION 20
 © COPYRIGHT 20 BY - ALL RIGHTS RESERVED.

REVISIONS				
P	LTR	DESCRIPTION	DATE	APVD
E		REVISED PER ECO-20-017688	16DEC2020	TL HL

NOTES:

- 1 MATERIAL:
HOUSING: LCP UL94V-0; BLACK
CONTACT: COPPER ALLOY
HOLD DOWN: BRASS
- 2 FINISH:
(SEE TABLE)um GOLD PLATING ON CONTACT AREA.
2.54um MATTE-TIN PLATING ON SOLDER TAIL AREA.
1.27um NICKEL UNDERPLATING OVERALL.
- 3 PARTS WITH POS 36 ARE NOT TOOLED


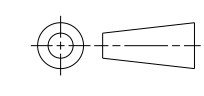


THIS DRAWING IS A CONTROLLED DOCUMENT.		DWN FRED LIU 12 JUN 2018	TE Connectivity	
DIMENSIONS: mm		CHK HOPE LU 12 JUN 2018		
TOLERANCES UNLESS OTHERWISE SPECIFIED:		APVD HOPE LU 12 JUN 2018	NAME PCI EXPRESS CARD EDGE CONNECTOR	
0 PLC \pm	1 PLC ± 0.3	PRODUCT SPEC	GEN4, STANDARD VERSION	
2 PLC ± 0.20	3 PLC ± 0.050	APPLICATION SPEC	SIZE	CAGE CODE
4 PLC \pm	ANGLES \pm	WEIGHT	A200779	C-2337939
FINISH	FINISH	CUSTOMER DRAWING	SCALE 3:1	SHEET 1 OF 6
1	2			REV E

THIS DRAWING IS UNPUBLISHED. RELEASED FOR PUBLICATION 20
 © COPYRIGHT 20 BY - ALL RIGHTS RESERVED.

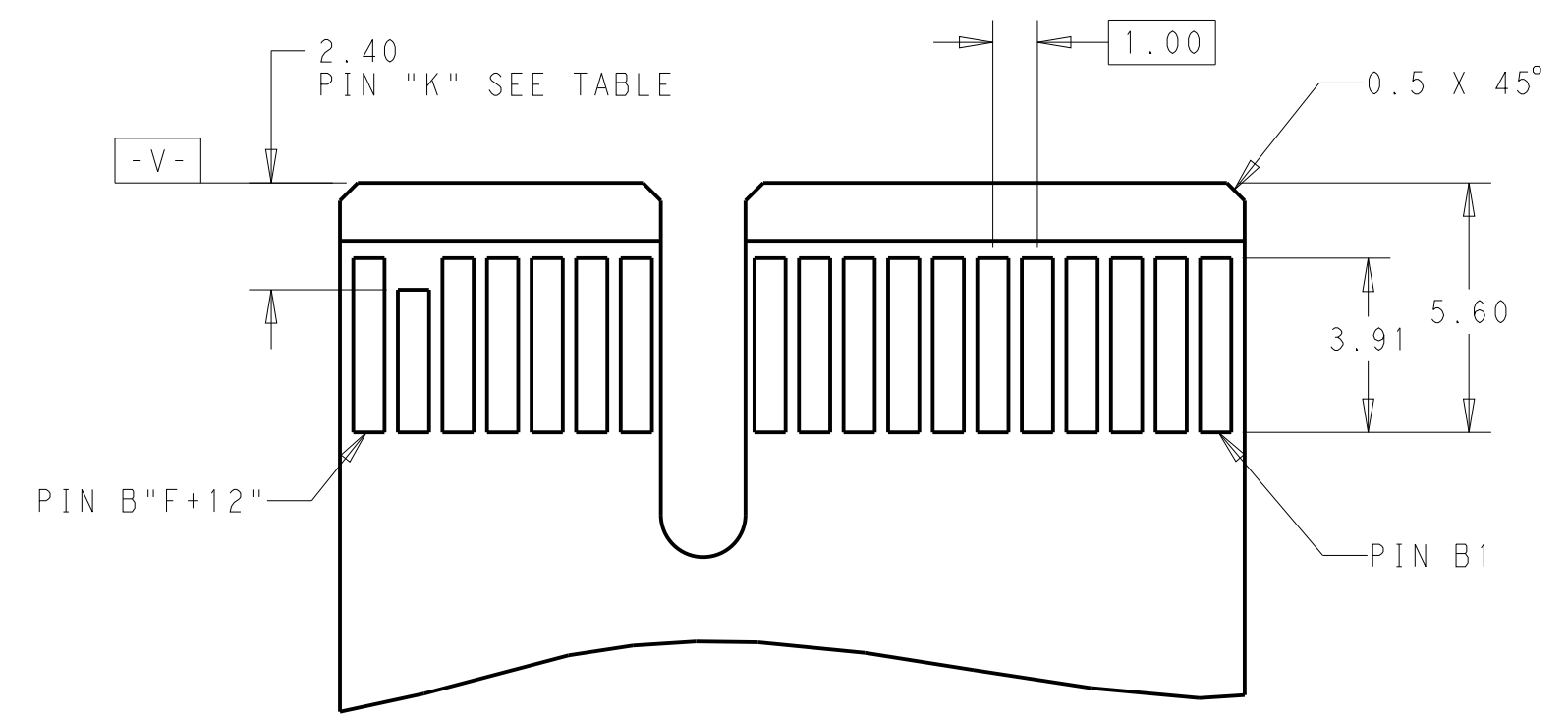
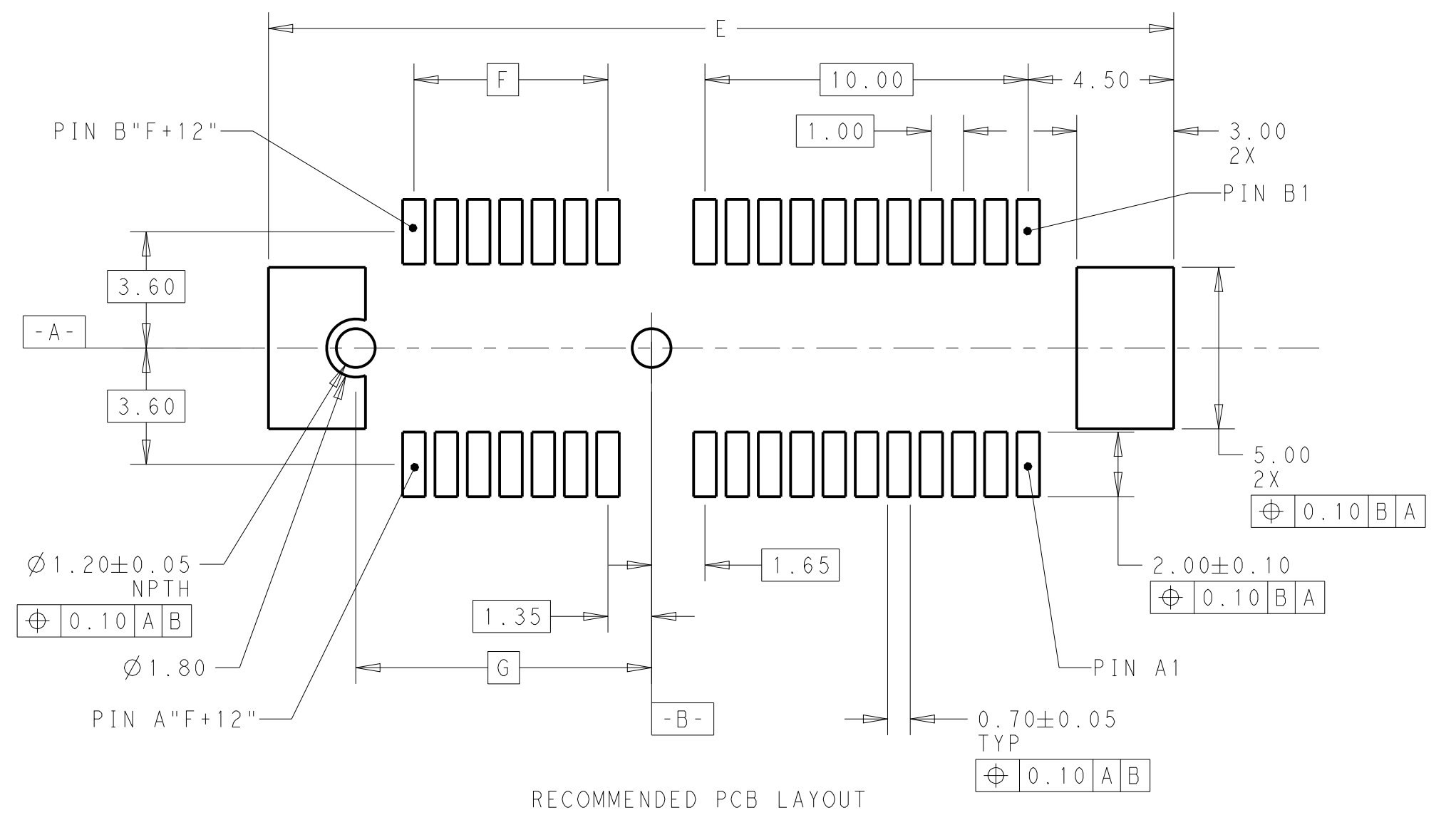
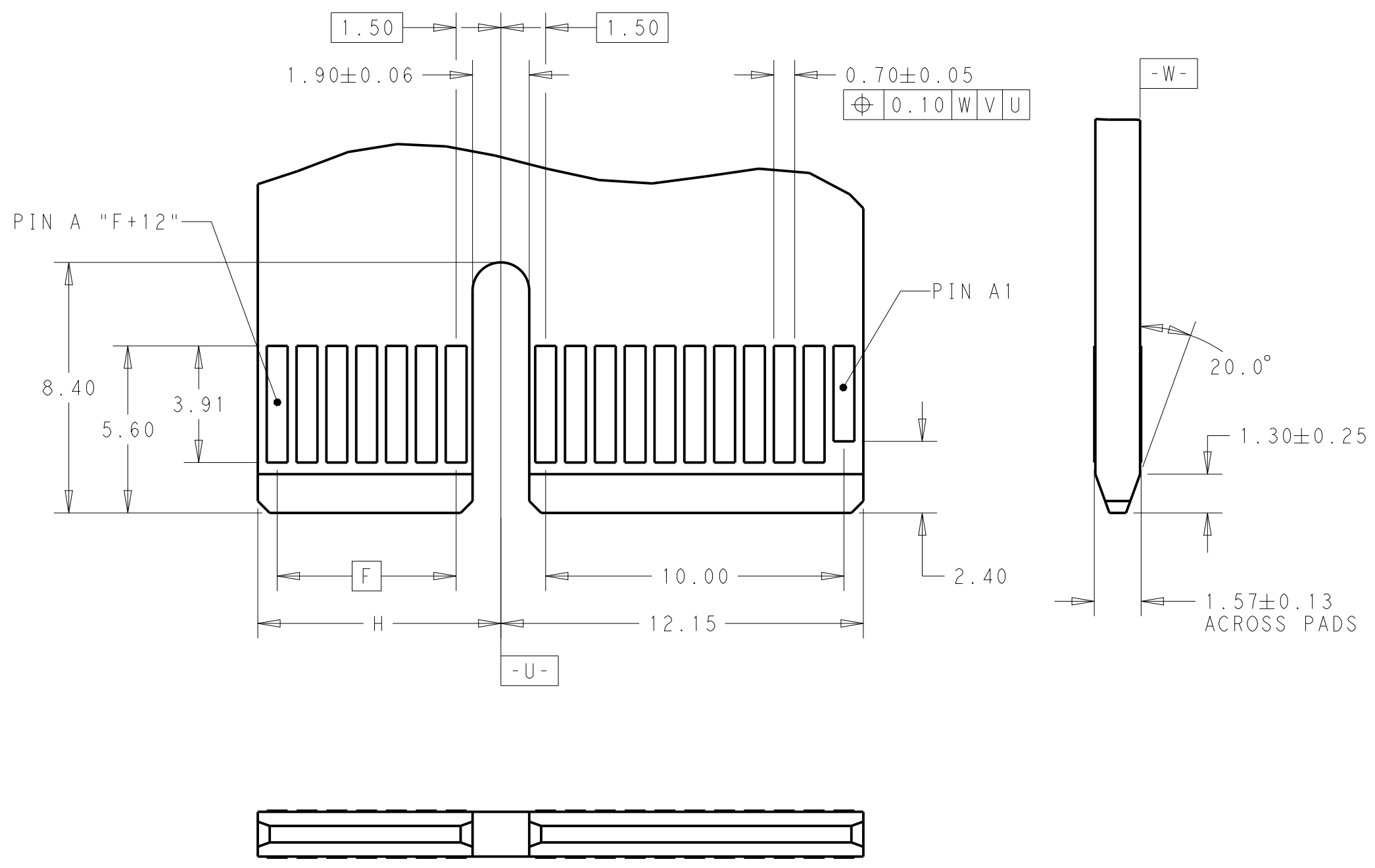
REVISIONS				
P	LTR	DESCRIPTION	DATE	APVD
-	-	SEE SHEET 1	-	-

PACKAGE 2	108-60121	30u"	45.0	10	44.5	91	70	73.15	89	71.65	164	7-2337939-4
PACKAGE 1		30u"	86.5	7.0	44.5	91	70	73.15	89	71.65	164	5-2337939-8
PACKAGE 4		30u"	53.5	7.0	28	58	37	40.15	56	38.65	98	5-2337939-7
PACKAGE 3		30u"	36.5	7.0	19.5	41	20	23.15	39	21.65	64	5-2337939-6
NA		30u"	22.5	7.0	12.5	27	6	9.15	25	7.65	36	5-2337939-5
PACKAGE 1		30u"	10.0	10.0	44.5	91	70	73.15	89	71.65	164	5-2337939-4
PACKAGE 4		30u"	10.0	10.0	28	58	37	40.15	56	38.65	98	5-2337939-3
PACKAGE 3		30u"	10.0	10.0	19.5	41	20	23.15	39	21.65	64	5-2337939-2
NA		30u"	10.0	10.0	12.5	27	6	9.15	25	7.65	36	5-2337939-1
PACKAGE 1		108-60121-1	15u"	86.5	7.0	44.5	91	70	73.15	89	71.65	164
PACKAGE 4	15u"		53.5	7.0	28	58	37	40.15	56	38.65	98	4-2337939-7
PACKAGE 3	15u"		36.5	7.0	19.5	41	20	23.15	39	21.65	64	4-2337939-6
NA	15u"		22.5	7.0	12.5	27	6	9.15	25	7.65	36	4-2337939-5
PACKAGE 1	15u"		10.0	10.0	44.5	91	70	73.15	89	71.65	164	4-2337939-4
PACKAGE 4	15u"		10.0	10.0	28	58	37	40.15	56	38.65	98	4-2337939-3
PACKAGE 3	15u"		10.0	10.0	19.5	41	20	23.15	39	21.65	64	4-2337939-2
NA	15u"		10.0	10.0	12.5	27	6	9.15	25	7.65	36	4-2337939-1
PACKAGE 1	G/F		86.5	7.0	44.5	91	70	73.15	89	71.65	164	3-2337939-8
PACKAGE 4	G/F		53.5	7.0	28	58	37	40.15	56	38.65	98	3-2337939-7
PACKAGE 3	G/F	36.5	7.0	19.5	41	20	23.15	39	21.65	64	3-2337939-6	
NA	G/F	22.5	7.0	12.5	27	6	9.15	25	7.65	36	3-2337939-5	
PACKAGE 1	G/F	10.0	10.0	44.5	91	70	73.15	89	71.65	164	3-2337939-4	
PACKAGE 4	G/F	10.0	10.0	28	58	37	40.15	56	38.65	98	3-2337939-3	
PACKAGE 3	G/F	10.0	10.0	19.5	41	20	23.15	39	21.65	64	3-2337939-2	
NA	G/F	10.0	10.0	12.5	27	6	9.15	25	7.65	36	3-2337939-1	
PACKAGE 2	108-60121	30u"	NA	44.5	91	70	73.15	89	71.65	164	2-2337939-5	
PACKAGE 1		30u"	NA	44.5	91	70	73.15	89	71.65	164	2-2337939-4	
PACKAGE 4		30u"	NA	28	58	37	40.15	56	38.65	98	2-2337939-3	
PACKAGE 3		30u"	NA	19.5	41	20	23.15	39	21.65	64	2-2337939-2	
NA	30u"	NA	12.5	27	6	9.15	25	7.65	36	2-2337939-1		
PACKAGE 1	108-60121-1	15u"	NA	44.5	91	70	73.15	89	71.65	164	6-2337939-4	
PACKAGE 4		15u"	NA	28	58	37	40.15	56	38.65	98	6-2337939-3	
PACKAGE 3		15u"	NA	19.5	41	20	23.15	39	21.65	64	6-2337939-2	
NA		15u"	NA	12.5	27	6	9.15	25	7.65	36	6-2337939-1	
PACKAGE 1		G/F	NA	44.5	91	70	73.15	89	71.65	164	2337939-4	
PACKAGE 4		G/F	NA	28	58	37	40.15	56	38.65	98	2337939-3	
PACKAGE 3		G/F	NA	19.5	41	20	23.15	39	21.65	64	2337939-2	
NA	G/F	NA	12.5	27	6	9.15	25	7.65	36	2337939-1		
PACKING SPEC	PRODUCT SPEC	GOLD PLATING	W	V	J	D	N	C	B	A	POS.	PART NUMBER
			MYLAR SIZE (PAGE 4)									

THIS DRAWING IS A CONTROLLED DOCUMENT.		DWN FRED LIU 12JUN2018	 TE Connectivity NAME PCI EXPRESS CARD EDGE CONNECTOR GEN4 , STANDARD VERSION
DIMENSIONS: mm		CHK HOPE LU 12JUN2018	
		APVD HOPE LU 12JUN2018	
TOLERANCES UNLESS OTHERWISE SPECIFIED: 0 PLC ± 1 PLC ±0.3 2 PLC ±0.20 3 PLC ±0.050 4 PLC ± ANGLES ± FINISH		PRODUCT SPEC APPLICATION SPEC WEIGHT	
MATERIAL	-	CUSTOMER DRAWING	SIZE A200779 CAGE CODE C-2337939 DRAWING NO C-2337939 RESTRICTED TO - SCALE 3:1 SHEET 2 OF 6 REV E

THIS DRAWING IS UNPUBLISHED. RELEASED FOR PUBLICATION 20
 © COPYRIGHT 20 BY - ALL RIGHTS RESERVED.

REVISIONS					
P	LTR	DESCRIPTION	DATE	DWN	APVD
-	-	SEE SHEET 1	-	-	-



POS.	DIM. E	DIM. F	DIM. G	DIM. H	"K"
164	92.00	70	73.15	72.15	A1,B17,B31,B48,B81
98	59.00	37	40.15	39.15	A1,B17,B31,B48
64	42.00	20	23.15	22.15	A1,B17,B31
36	28.00	6	9.15	8.15	A1,B17

THIS DRAWING IS A CONTROLLED DOCUMENT.

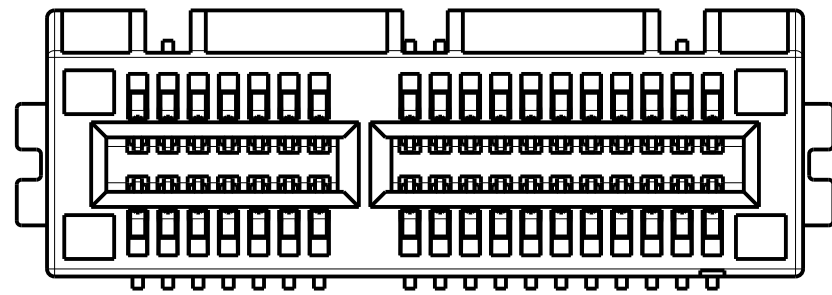
DWN FRED LIU 12JUN2018	 TE Connectivity	NAME PCI EXPRESS CARD EDGE CONNECTOR
CHK HOPE LU 12JUN2018		GEN4, STANDARD VERSION
APVD HOPE LU 12JUN2018		SIZE A2
PRODUCT SPEC APPLICATION SPEC WEIGHT		CAGE CODE C-2337939
DIMENSIONS: mm	TOLERANCES UNLESS OTHERWISE SPECIFIED: 0 PLC ± 1 PLC ±0.3 2 PLC ±0.20 3 PLC ±0.050 4 PLC ± ANGLES ± FINISH	DRAWING NO. C-2337939
MATERIAL	CUSTOMER DRAWING	RESTRICTED TO

SCALE 3:1 SHEET 3 OF 6 REV E

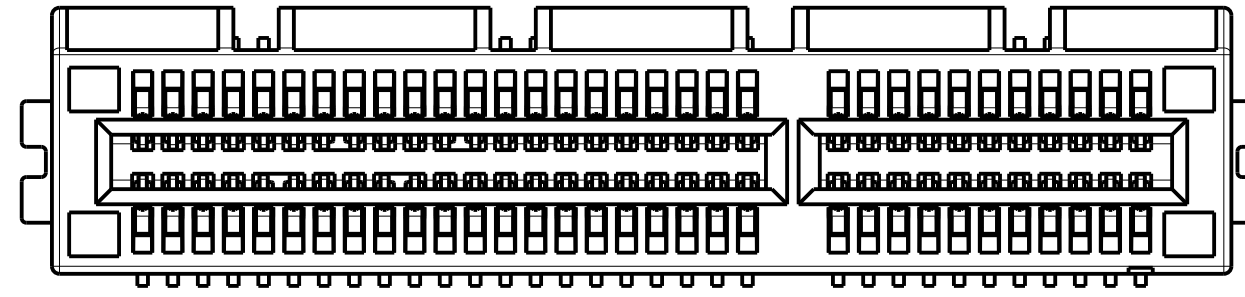
THIS DRAWING IS UNPUBLISHED. RELEASED FOR PUBLICATION 20
 © COPYRIGHT 20 BY - ALL RIGHTS RESERVED.

REVISIONS				
P	LTR	DESCRIPTION	DATE	APVD
-		SEE SHEET 1	-	-

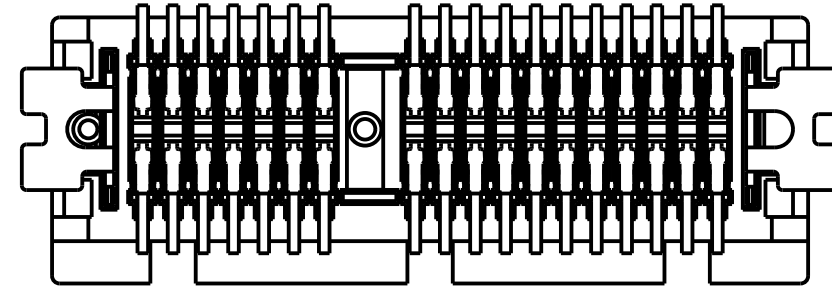
FRONT VIEW



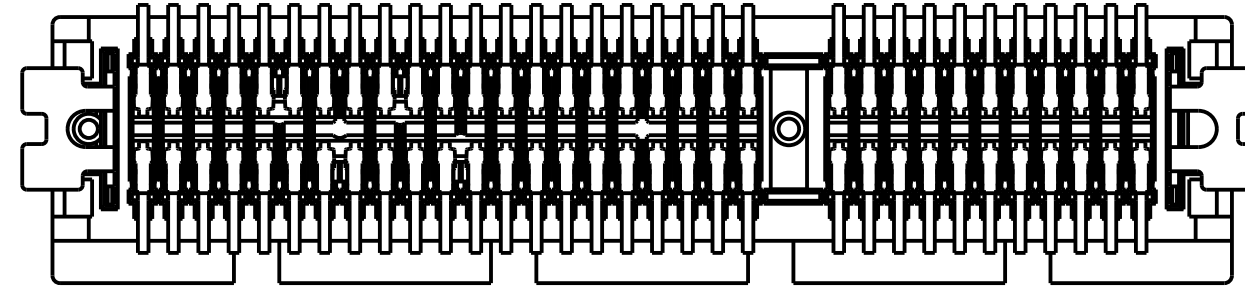
FRONT VIEW



REAR VIEW



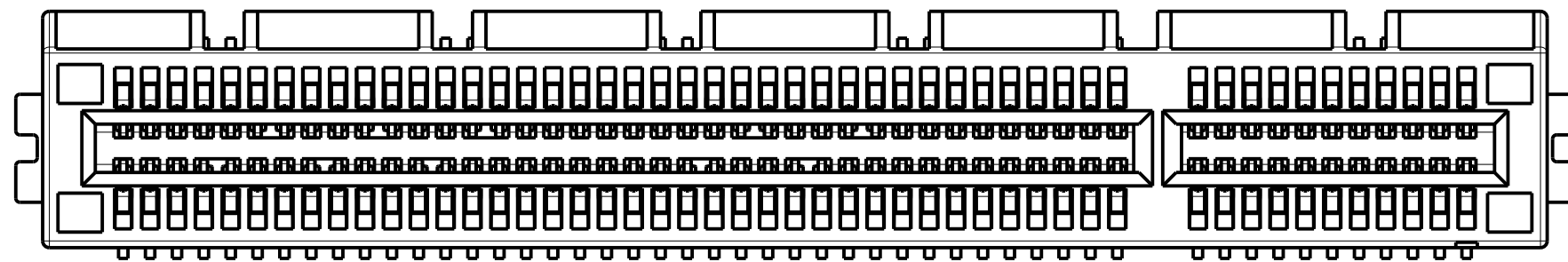
REAR VIEW



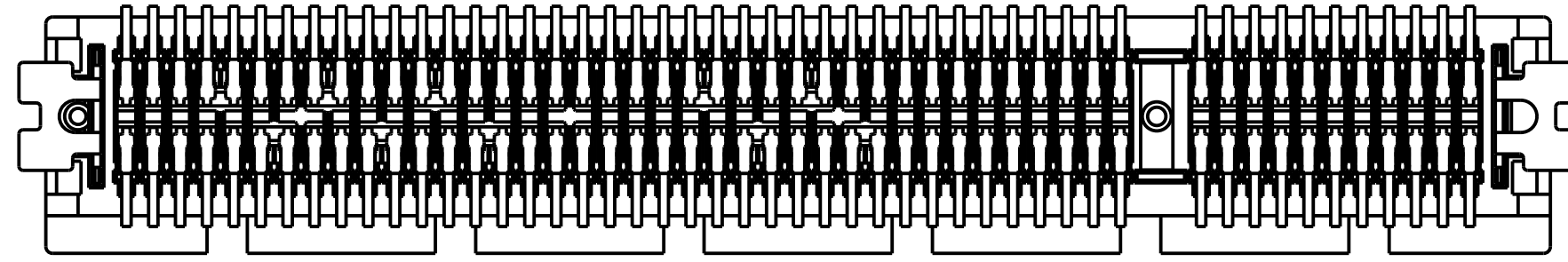
36POS AS SHOWN

64POS AS SHOWN

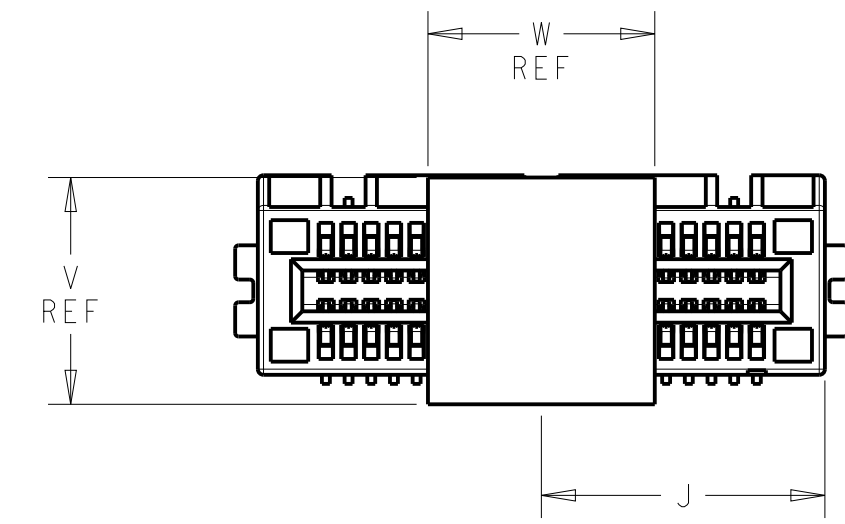
FRONT VIEW



REAR VIEW

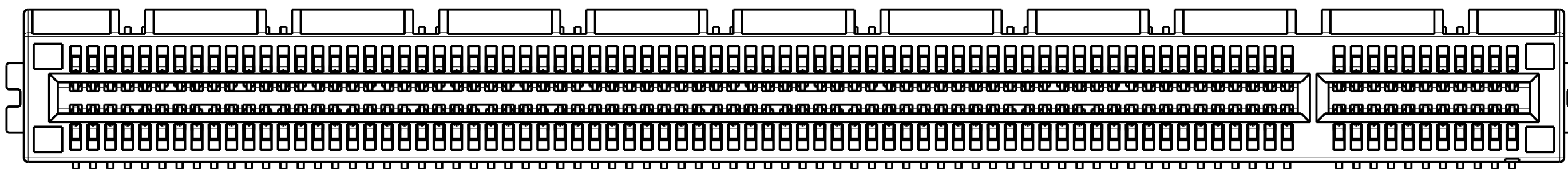


98POS AS SHOWN

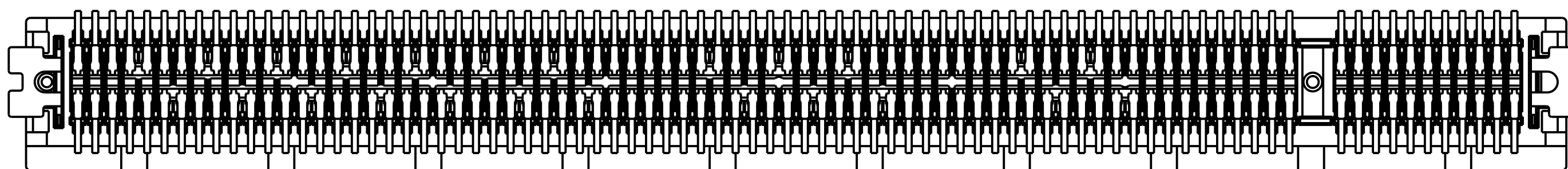


MYLAR SIZE

FRONT VIEW



REAR VIEW

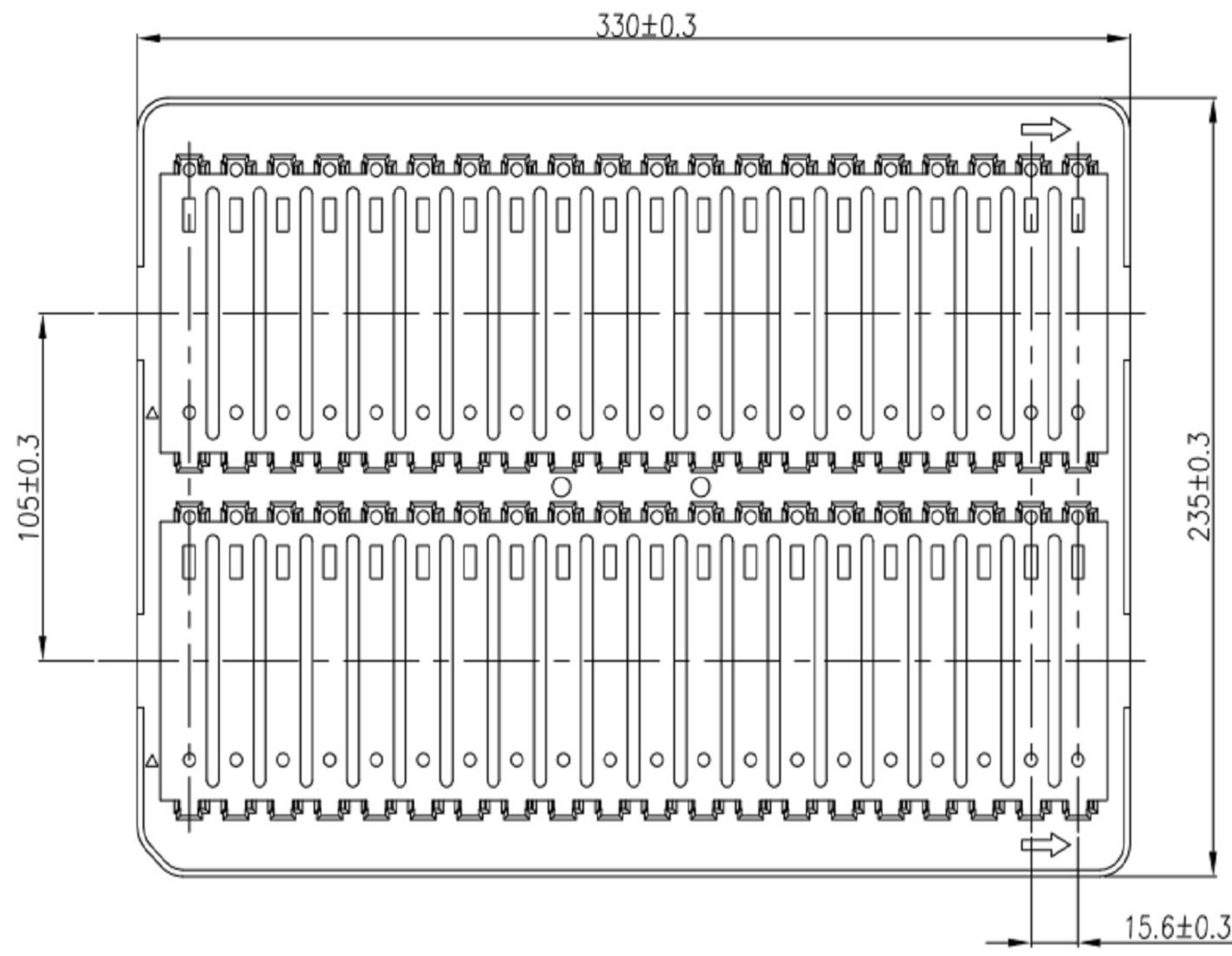


164POS AS SHOWN

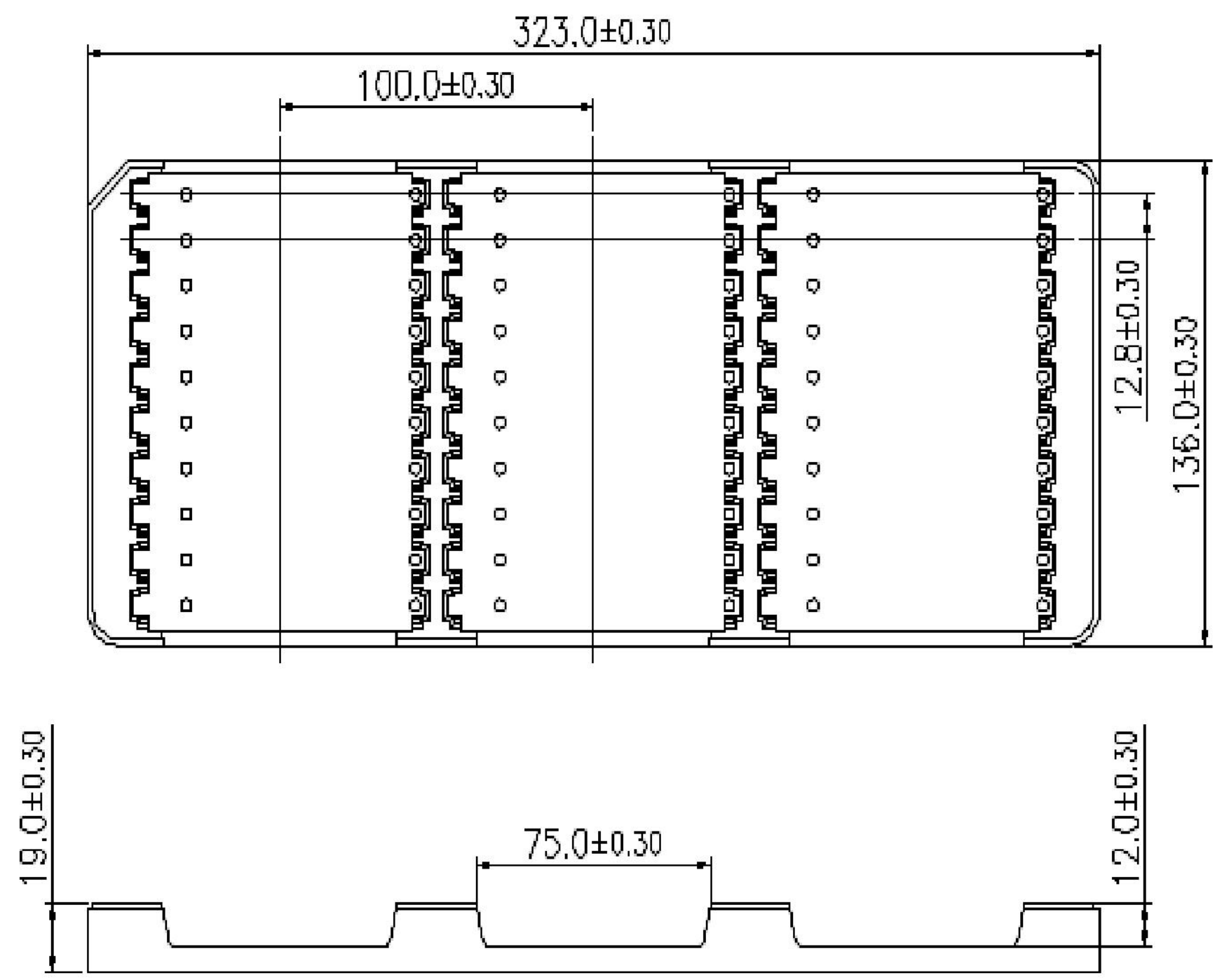
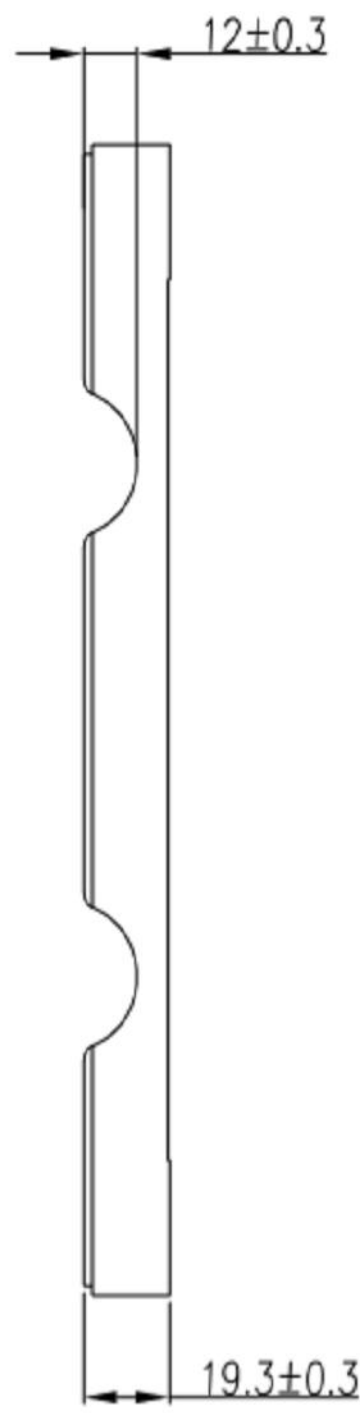
THIS DRAWING IS A CONTROLLED DOCUMENT.		DWN FRED LIU 12JUN2018	TE Connectivity
		CHK HOPE LU 12JUN2018	
		APVD HOPE LU 12JUN2018	
		NAME PCI EXPRESS CARD EDGE CONNECTOR	
DIMENSIONS: mm 		PRODUCT SPEC -	GEN4, STANDARD VERSION
TOLERANCES UNLESS OTHERWISE SPECIFIED: 0 PLC ±0.3 1 PLC ±0.3 2 PLC ±0.20 3 PLC ±0.050 4 PLC ± ANGLES ± FINISH ±		APPLICATION SPEC -	SIZE A200779
MATERIAL -		WEIGHT -	DRAWING NO C-2337939
		CUSTOMER DRAWING	RESTRICTED TO -
		SCALE 3:1	SHEET 4 OF 6
			REV E

THIS DRAWING IS UNPUBLISHED. RELEASED FOR PUBLICATION 20
 © COPYRIGHT 20 BY - ALL RIGHTS RESERVED.


REVISIONS				
P	LTR	DESCRIPTION	DATE	APVD
-	-	SEE SHEET 1	-	-



PACKAGE 1

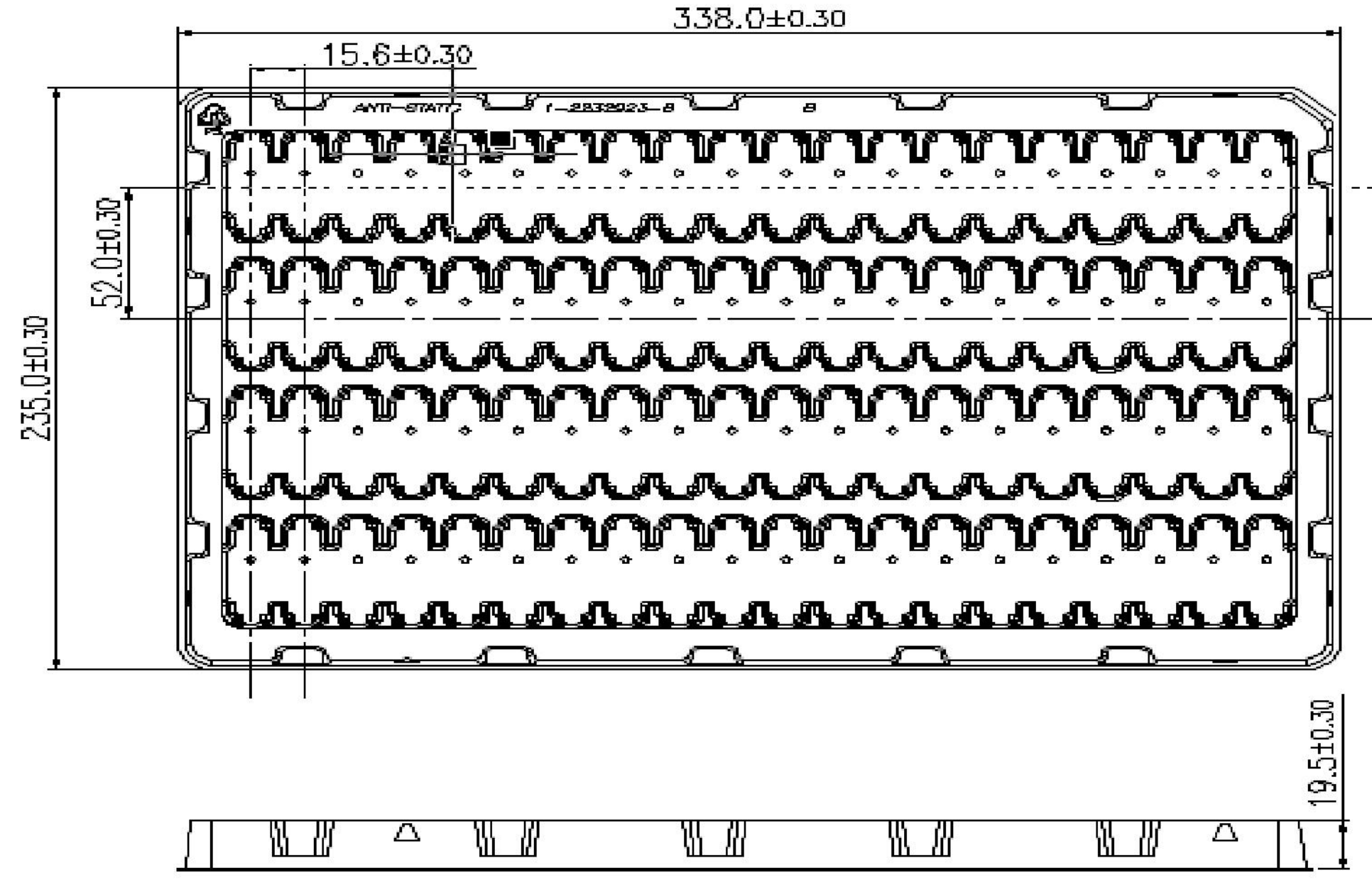


PACKAGE 2

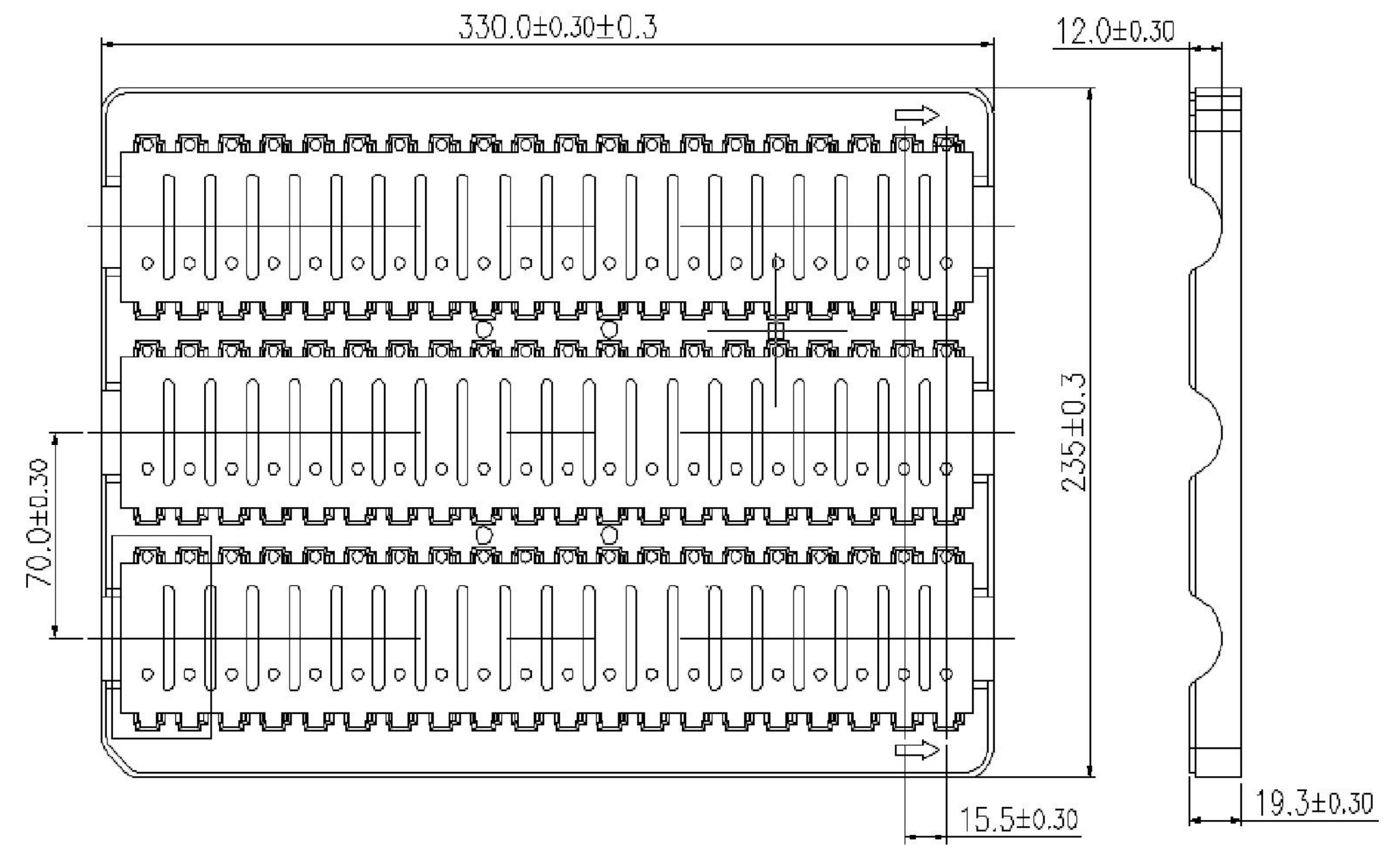
THIS DRAWING IS A CONTROLLED DOCUMENT.		DWN FRED LIU 12 JUN 2018	 TE Connectivity
DIMENSIONS:		CHK HOPE LU 12 JUN 2018	
TOLERANCES UNLESS OTHERWISE SPECIFIED:		APVD HOPE LU 12 JUN 2018	
mm		PRODUCT SPEC	
0 PLC ± 1 PLC ±0.3 2 PLC ±0.20 3 PLC ±0.050 4 PLC ± ANGLES ± FINISH		APPLICATION SPEC	NAME PCI EXPRESS CARD EDGE CONNECTOR GEN4 , STANDARD VERSION
MATERIAL		WEIGHT	SIZE A200779
-		CUSTOMER DRAWING	CAGE CODE C-2337939
-		SCALE 3:1	DRAWING NO 5 OF 6
-		SHEET 5 OF 6	REV E

THIS DRAWING IS UNPUBLISHED. RELEASED FOR PUBLICATION 20
 © COPYRIGHT 20 BY - ALL RIGHTS RESERVED.


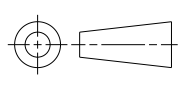
REVISIONS				
P	LTR	DESCRIPTION	DATE	APVD
-		SEE SHEET 1	-	-



PACKAGE 3



PACKAGE 4

THIS DRAWING IS A CONTROLLED DOCUMENT.		DWN FRED LIU 12 JUN 2018	 TE Connectivity	
DIMENSIONS:		CHK HOPE LU 12 JUN 2018		
mm		APVD HOPE LU 12 JUN 2018		
		PRODUCT SPEC		
TOLERANCES UNLESS OTHERWISE SPECIFIED:		APPLICATION SPEC	NAME PCI EXPRESS CARD EDGE CONNECTOR	
0 PLC	±	WEIGHT	GEN4, STANDARD VERSION	
1 PLC	±0.3	CUSTOMER DRAWING	SIZE	RESTRICTED TO
2 PLC	±0.20	SCALE 3:1	CAGE CODE	SHEET 6 OF 6
3 PLC	±0.050	REV E	DRAWING NO	
4 PLC	±		A200779	
ANGLES	±		C-2337939	
FINISH				

X-ON Electronics

Largest Supplier of Electrical and Electronic Components

Click to view similar products for [Standard Card Edge Connectors](#) category:

Click to view products by [TE Connectivity](#) manufacturer:

Other Similar products are found below :

[CR7E-30DB-3.96E\(72\)](#) [6364499-1](#) [6565204-6](#) [PKC-156](#) [1437274-4](#) [147889-1](#) [1489165-4](#) [EBT15622B2X](#) [1-582587-1](#) [284-0102-12100](#)
[286-0052-12101A](#) [306022901000000](#) [307-012-502-202](#) [307-056-520-300](#) [2129318-1](#) [245-062-520-350](#) [287-0032-12101](#) [306-028-525-102](#)
[307-072-526-202](#) [345-060-559-303](#) [392-008-559-201](#) [534671-1](#) [341-240-317](#) [345-044-500-300](#) [346-240-318](#) [395-100-524-300](#) [09-07-2032](#)
[10035388-802LF](#) [10115859-011LF](#) [10122859-009LF](#) [10127905-B04B24BLF](#) [530555-1](#) [5-678046-1](#) [73726-0005](#) [66308-1](#) [1-1437275-6](#)
[PEC-07-02-T-S-A](#) [346-014-520-801](#) [307-048-502-202](#) [CE100F22-9-C](#) [CE100F26-7-C](#) [CE100F28-3-D](#) [CE156F18-9-C](#) [CE156F22-5-D](#)
[CE156F22-9-C](#) [CT100F22-2-D](#) [CT100F22-3-D](#) [CT100F24-2-D](#) [CT100F24-3-D](#) [CT100F24-6-C](#)