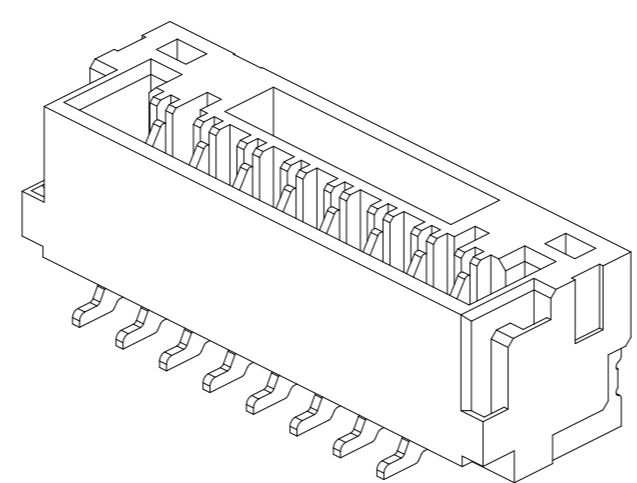
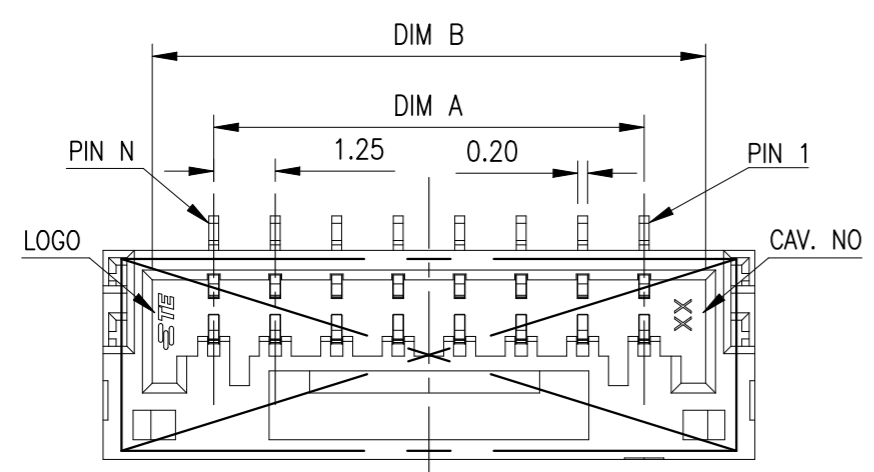
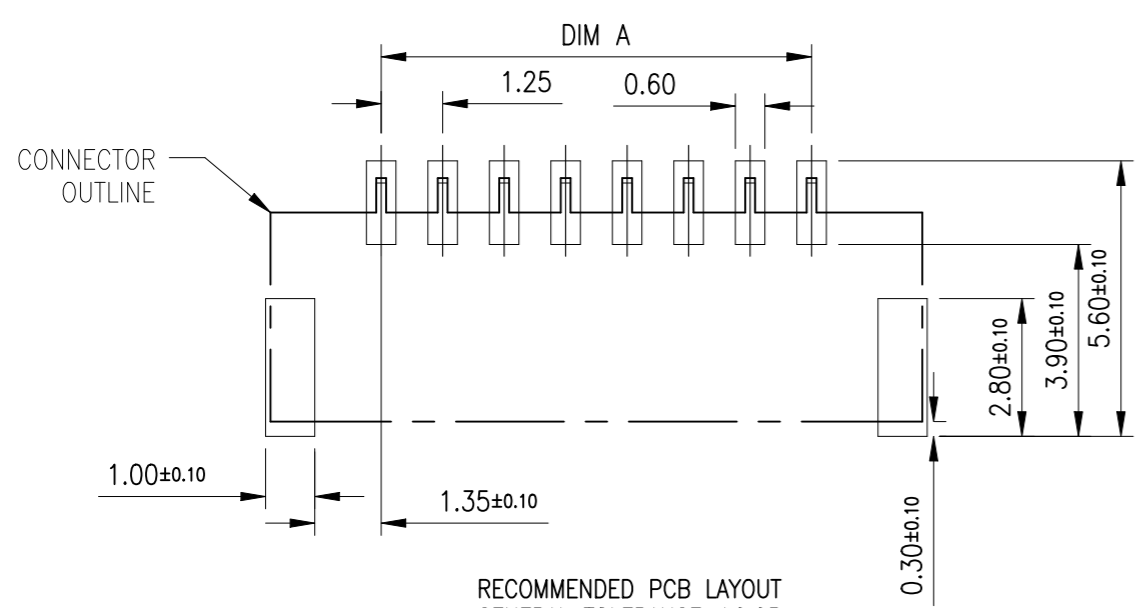
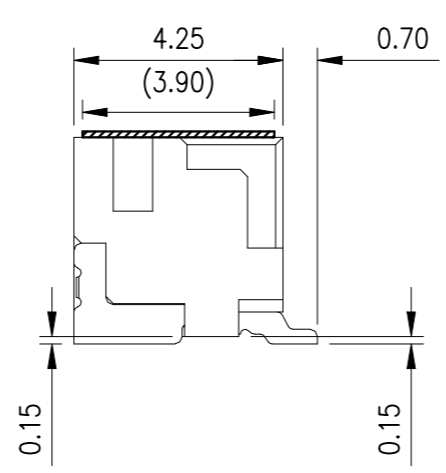
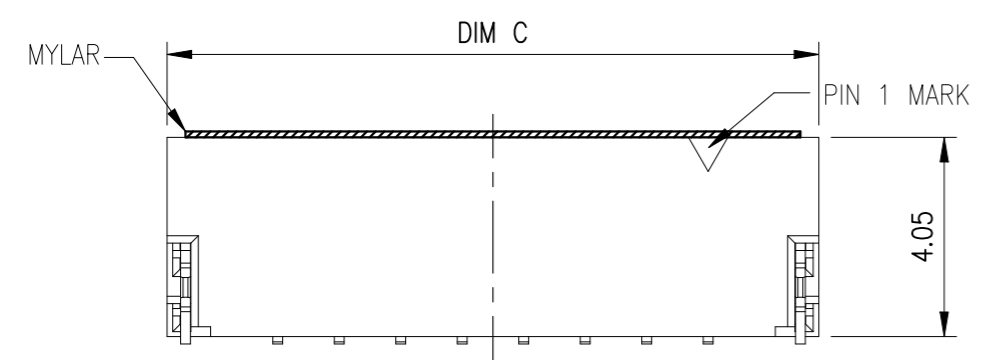


| REVISIONS | | | | | |
|-----------|-----|---------------|-----------|-----|------|
| P | LTR | DESCRIPTION | DATE | DWN | APVD |
| | A | ECR-21-104664 | 12APR2021 | T.Q | W.H |



- NOTES:
- MATERIAL:
 - HOUSING: THERMOPLASTIC, HIGH TEMP.,UL94V-0,LCP
 - CONTACT: COPPER ALLOY.
 - FITTING NAIL: COPPER ALLOY.
 - FINISH:
 - CONTACT: 50u" MIN. NICKEL UNDERPLATING OVERALL.
TYPE A:80~150u" MATT TIN PLATING ON CONTACT AND SOLDER AREA
TYPE B:0.5u" MIN GOLD FLASH ON CONTACT AND SOLDER AREA
 - FITTING NAIL: 50u" MIN. NICKEL UNDERPLATING OVERALL.
N:80u" MIN. MATTE TIN PLATING
 - MATING PARTS: X-2390144-X.

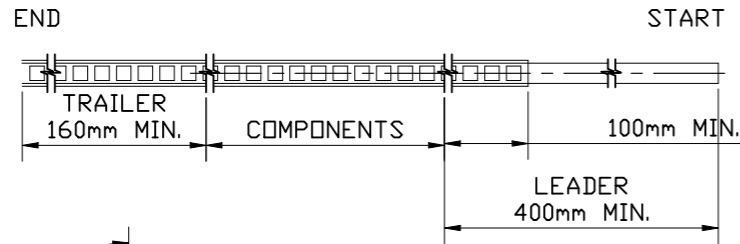


| COLOR | DIM C | DIM B | DIM A | POS | GOLD FLASH | MATT TIN | | | | | | | | |
|-------------|--------------|-------|-------|-----|-------------|-------------|-------|--|-----|--|------------|--|----------|--|
| BLACK | 22.00 | 20.00 | 17.50 | 15P | 7-2390138-5 | 5-2390138-5 | | | | | | | | |
| | 20.75 | 18.75 | 16.25 | 14P | 7-2390138-4 | 5-2390138-4 | | | | | | | | |
| | 19.50 | 17.50 | 15.00 | 13P | 7-2390138-3 | 5-2390138-3 | | | | | | | | |
| | 18.25 | 16.25 | 13.75 | 12P | 7-2390138-2 | 5-2390138-2 | | | | | | | | |
| | 17.00 | 15.00 | 12.50 | 11P | 7-2390138-1 | 5-2390138-1 | | | | | | | | |
| | 15.75 | 13.75 | 11.25 | 10P | 7-2390138-0 | 5-2390138-0 | | | | | | | | |
| | 14.50 | 12.50 | 10.00 | 9P | 6-2390138-9 | 4-2390138-9 | | | | | | | | |
| | 13.25 | 11.25 | 8.75 | 8P | 6-2390138-8 | 4-2390138-8 | | | | | | | | |
| | 12.00 | 10.00 | 7.50 | 7P | 6-2390138-7 | 4-2390138-7 | | | | | | | | |
| | 10.75 | 8.75 | 6.25 | 6P | 6-2390138-6 | 4-2390138-6 | | | | | | | | |
| NATURAL | 9.50 | 7.50 | 5.00 | 5P | 6-2390138-5 | 4-2390138-5 | | | | | | | | |
| | 8.25 | 6.25 | 3.75 | 4P | 6-2390138-4 | 4-2390138-4 | | | | | | | | |
| | 7.00 | 5.00 | 2.50 | 3P | 6-2390138-3 | 4-2390138-3 | | | | | | | | |
| | 5.75 | 3.75 | 1.25 | 2P | 6-2390138-2 | 4-2390138-2 | | | | | | | | |
| | 22.00 | 20.00 | 17.50 | 15P | 3-2390138-5 | 1-2390138-5 | | | | | | | | |
| | 20.75 | 18.75 | 16.25 | 14P | 3-2390138-4 | 1-2390138-4 | | | | | | | | |
| | 19.50 | 17.50 | 15.00 | 13P | 3-2390138-3 | 1-2390138-3 | | | | | | | | |
| | 18.25 | 16.25 | 13.75 | 12P | 3-2390138-2 | 1-2390138-2 | | | | | | | | |
| | 17.00 | 15.00 | 12.50 | 11P | 3-2390138-1 | 1-2390138-1 | | | | | | | | |
| | 15.75 | 13.75 | 11.25 | 10P | 3-2390138-0 | 1-2390138-0 | | | | | | | | |
| | 14.50 | 12.50 | 10.00 | 9P | 2-2390138-9 | 2390138-9 | | | | | | | | |
| | 13.25 | 11.25 | 8.75 | 8P | 2-2390138-8 | 2390138-8 | | | | | | | | |
| | 12.00 | 10.00 | 7.50 | 7P | 2-2390138-7 | 2390138-7 | | | | | | | | |
| | 10.75 | 8.75 | 6.25 | 6P | 2-2390138-6 | 2390138-6 | | | | | | | | |
| | 9.50 | 7.50 | 5.00 | 5P | 2-2390138-5 | 2390138-5 | | | | | | | | |
| | 8.25 | 6.25 | 3.75 | 4P | 2-2390138-4 | 2390138-4 | | | | | | | | |
| | 7.00 | 5.00 | 2.50 | 3P | 2-2390138-3 | 2390138-3 | | | | | | | | |
| | 5.75 | 3.75 | 1.25 | 2P | 2-2390138-2 | 2390138-2 | | | | | | | | |
| | COLOR | | DIM C | | DIM B | | DIM A | | POS | | GOLD FLASH | | MATT TIN | |
| | PLATING SPEC | | | | | | | | | | | | | |
| PART NUMBER | | | | | | | | | | | | | | |

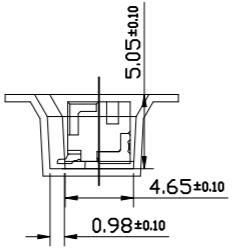
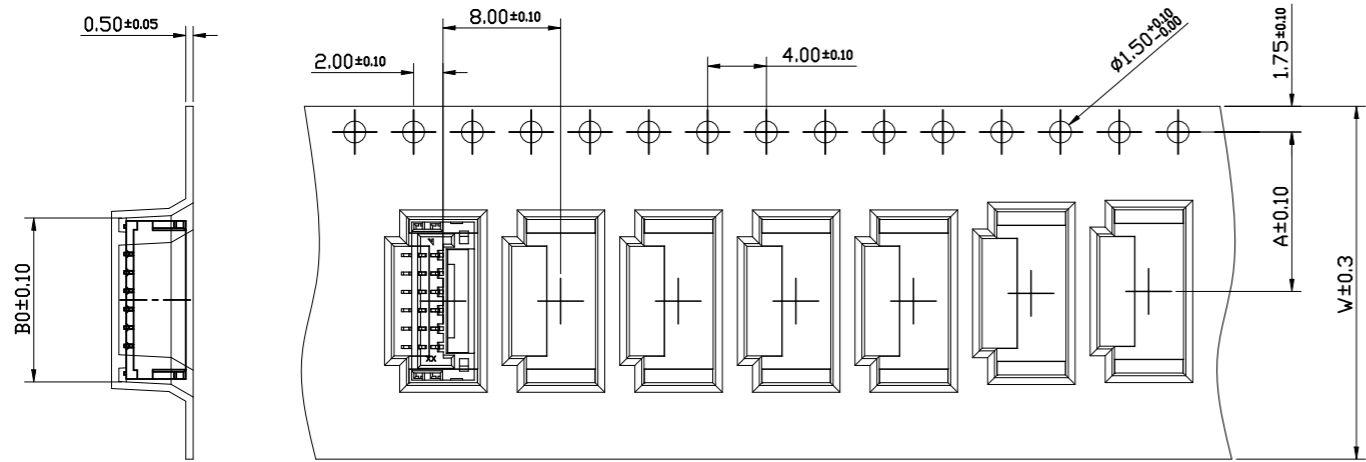
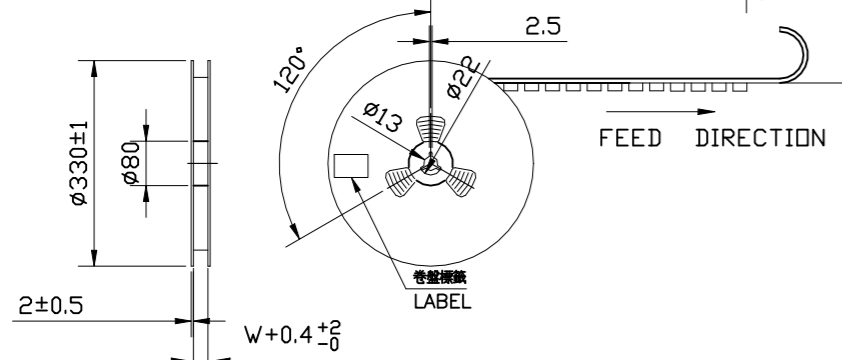
| | | | | | | | | | |
|--|--|--------------|------------|------------------|-----------------|-----------|----------------------------------|------------|---------------|
| THIS DRAWING IS A CONTROLLED DOCUMENT. | | DWN | Tommy Qian | 12APR2021 | TE Connectivity | | 1.25mm PITCH WT B Conn. SMT V | | |
| DIMENSIONS: | | CHK | Niki Shi | 12APR2021 | | | | | |
| TOLERANCES UNLESS OTHERWISE SPECIFIED: | | APVD | Niki Shi | 12APR2021 | NAME | | - | | |
| mm | | PRODUCT SPEC | | APPLICATION SPEC | | SIZE | CAGE CODE | DRAWING NO | RESTRICTED TO |
| 0 PLC ± 0.5 1 PLC ± 0.25 2 PLC ± 0.15 3 PLC ± 0.1 4 PLC ± - ANGLES ± 2° | | WEIGHT | | A3 00779 | | G-2390138 | | - | |
| MATERIAL | | FINISH | | CUSTOMER DRAWING | | SCALE | SHEET | REV | |
| NOTE 1 | | NOTE 2 | | N/A | | N/A | | 1 OF 4 | |
| | | | | | | | | A | |

RECOMMENDED PCB LAYOUT
GENERAL TOLERANCE ±0.05

| REVISIONS | | | | | |
|-----------|-----|-------------|------|-----|------|
| P | LTR | DESCRIPTION | DATE | DWN | APVD |
| - | - | SEE SHEET 1 | - | - | - |



- NOTES:
- 10 SPROCKET HOLE PITCH CUMULATIVE TOLERANCE: ±0.20mm
 - CARRIER CAMBER NOT TO EXCEED 1mm IN 100mm.
 - ALL DIMENSIONS MEET EIA-481 REQUIREMENTS.
 - MATERIAL: BLACK ANTI-STATIC POLYSTYRENE.
 - THICKNESS: 0.50±0.05 mm.
 - PACKING LENGTH PER 13" REEL : 13.0 METERS.
 - COMPONENT LOAD PER 13" REEL : 1600 PCS.



| | | | | | |
|--------|-------|-------|---------------------|-------------|-------------|
| 17.29 | | | 11P | 7-2390138-1 | 5-2390138-1 |
| 16.04 | | | 10P | 7-2390138-0 | 5-2390138-0 |
| 14.79 | | | 9P | 6-2390138-9 | 4-2390138-9 |
| 13.54 | | | 8P | 6-2390138-8 | 4-2390138-8 |
| 12.29 | | | 7P | 6-2390138-7 | 4-2390138-7 |
| 11.04 | | | 6P | 6-2390138-6 | 4-2390138-6 |
| 9.79 | | | 5P | 6-2390138-5 | 4-2390138-5 |
| 8.54 | | | 4P | 6-2390138-4 | 4-2390138-4 |
| 7.29 | | | 3P | 6-2390138-3 | 4-2390138-3 |
| 6.04 | | | 2P | 6-2390138-2 | 4-2390138-2 |
| 17.29 | | | 11P | 3-2390138-1 | 1-2390138-1 |
| 16.04 | | | 10P | 3-2390138-0 | 1-2390138-0 |
| 14.79 | | | 9P | 2-2390138-9 | 2390138-9 |
| 13.54 | | | 8P | 2-2390138-8 | 2390138-8 |
| 12.29 | | | 7P | 2-2390138-7 | 2390138-7 |
| 11.04 | | | 6P | 2-2390138-6 | 2390138-6 |
| 9.79 | | | 5P | 2-2390138-5 | 2390138-5 |
| 8.54 | | | 4P | 2-2390138-4 | 2390138-4 |
| 7.29 | | | 3P | 2-2390138-3 | 2390138-3 |
| 6.04 | | | 2P | 2-2390138-2 | 2390138-2 |
| | | | GOLD FLASH MATT TIN | | |
| | | | PLATING SPEC | | |
| | | | PART NUMBER | | |
| DIM B0 | DIM F | DIM W | POS | | |

| CKT. | W | F | B0 |
|------|-------|-------|-------|
| 2 | | | 6.04 |
| 3 | 16.00 | 7.50 | 7.29 |
| 4 | | | 8.54 |
| 5 | | | 9.79 |
| 6 | | | 11.04 |
| 7 | | | 12.29 |
| 8 | 24.00 | 11.50 | 13.54 |
| 9 | | | 14.79 |
| 10 | | | 16.04 |
| 11 | | | 17.29 |

THIS DRAWING IS A CONTROLLED DOCUMENT.

DWN Tommy Qian 12APR2021
 CHK Niki Shi 12APR2021
 APVD Niki Shi 12APR2021

STE TE Connectivity

NAME: 1.25mm PITCH WT B Conn. SMT V

PRODUCT SPEC: -
 APPLICATION SPEC: -
 WEIGHT: -

SIZE: A3 CAGE CODE: 00779 DRAWING NO: C=2390138 RESTRICTED TO: -

CUSTOMER DRAWING SCALE: N/A SHEET: 2 of 4 REV: A

| DIMENSIONS: | TOLERANCES UNLESS OTHERWISE SPECIFIED: |
|-------------|--|
| mm | |
| 0 PLC | ± 0.5 |
| 1 PLC | ± 0.25 |
| 2 PLC | ± 0.15 |
| 3 PLC | ± 0.1 |
| 4 PLC | ± - |
| ANGLES | ± 2' |

MATERIAL: NOTE 1 FINISH: NOTE 2

4

3

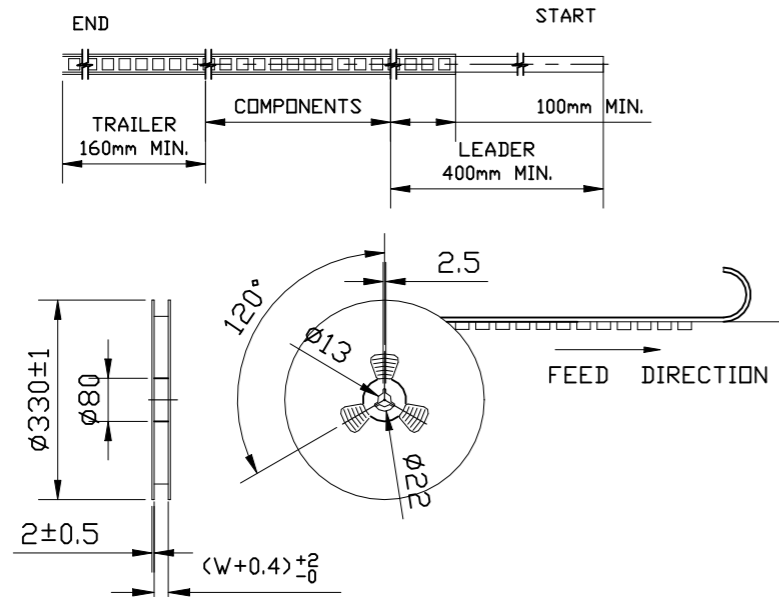
2

1

© 2021 TE Connectivity. All Rights Reserved.

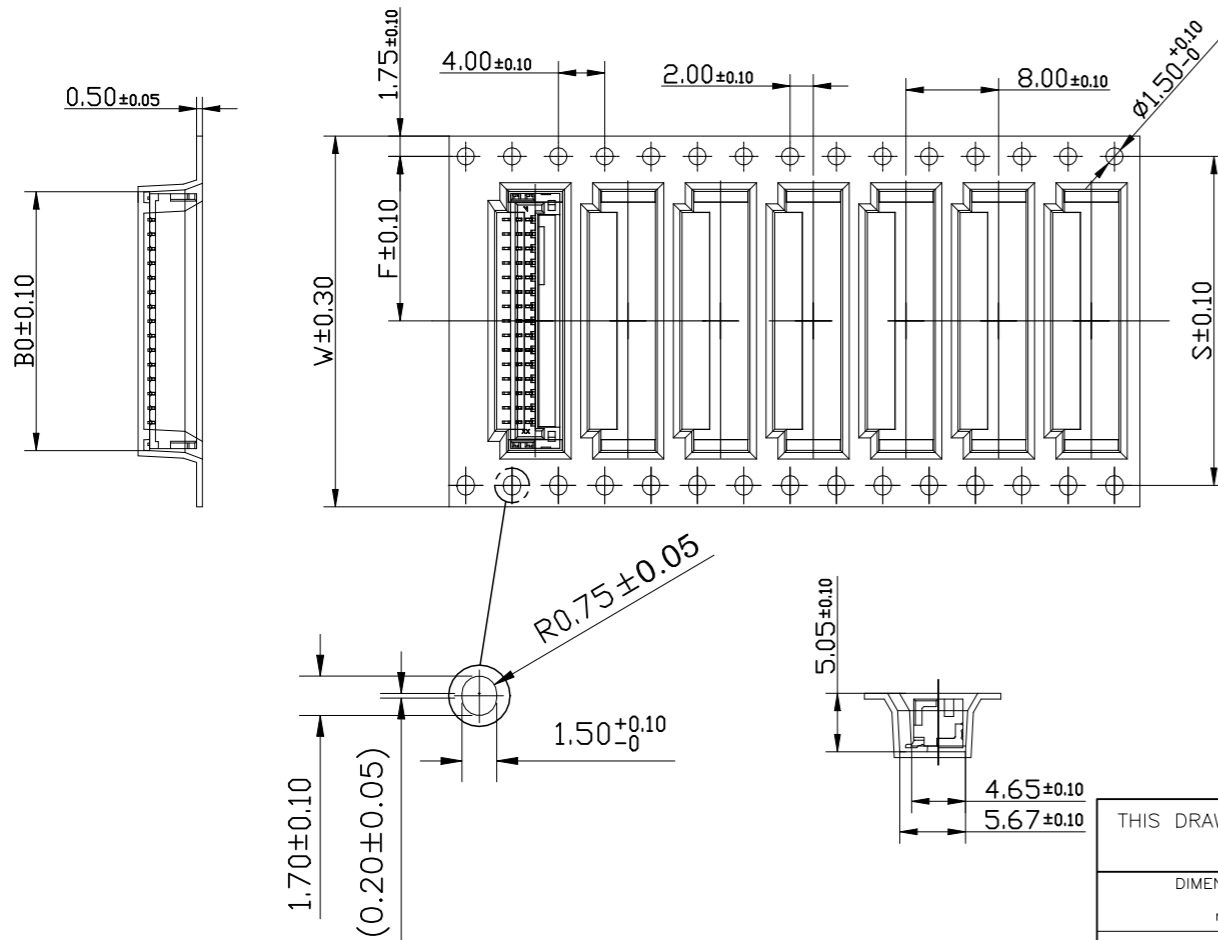
REVISIONS

| P | LTR | DESCRIPTION | DATE | DWN | APVD |
|---|-----|-------------|------|-----|------|
| - | - | SEE SHEET 1 | - | - | - |



NOTES:

- 10 SPROCKET HOLE PITCH CUMULATIVE TOLERANCE.±0.20mm
- CARRIER CAMBER NOT TO EXCEED 1mm IN 100mm.
- ALL DIMENSIONS MEET EIA-481 REQUIREMENTS.
- MATERIAL: BLACK ANTI-STATIC POLYSTYRENE.
- THICKNESS: 0.50±0.05 mm.
- PACKING LENGHT PER 13" REEL : 13.0 METERS.
- COMPONENT LOAD PER 13" REEL : 1600 PCS.



| CKT. | W | F | S | B0 |
|------|-------|-------|-------|-------|
| 12 | | | | 18.54 |
| 13 | 32.00 | 14.20 | 28.40 | 19.79 |
| 14 | | | | 21.04 |
| 15 | | | | 22.29 |

| | | | | | | |
|--------|-------|-------|-------|------------|-------------|-------------|
| 22.29 | | | | 15P | 7-2390138-5 | 5-2390138-5 |
| 21.04 | 28.40 | 14.20 | 32.00 | 14P | 7-2390138-4 | 5-2390138-4 |
| 19.79 | | | | 13P | 7-2390138-3 | 5-2390138-3 |
| 18.54 | | | | 12P | 7-2390138-2 | 5-2390138-2 |
| 22.29 | | | | 15P | 3-2390138-5 | 1-2390138-5 |
| 21.04 | 28.40 | 14.20 | 32.00 | 14P | 3-2390138-4 | 1-2390138-4 |
| 19.79 | | | | 13P | 3-2390138-3 | 1-2390138-3 |
| 18.54 | | | | 12P | 3-2390138-2 | 1-2390138-2 |
| | | | | GOLD FLASH | | MATT TIN |
| DIM B0 | | | | DIM S | | DIM F |
| DIM W | | | | POS | | PART NUMBER |

THIS DRAWING IS A CONTROLLED DOCUMENT.

| DIMENSIONS: | TOLERANCES UNLESS OTHERWISE SPECIFIED: |
|-------------|--|
| mm | |
| | 0 PLC ± 0.5 |
| | 1 PLC ± 0.25 |
| | 2 PLC ± 0.15 |
| | 3 PLC ± 0.1 |
| | 4 PLC ± - |
| | ANGLES ± 2' |

MATERIAL NOTE 1 FINISH NOTE 2

| | | | |
|------------------|-----------|------------------------|---------------|
| DWN | 12APR2021 | Tommy Qian | |
| CHK | 12APR2021 | Niki Shi | |
| APVD | 12APR2021 | Niki Shi | |
| PRODUCT SPEC | | NAME | |
| APPLICATION SPEC | | 1.25mm PITCH WTB Conn. | |
| WEIGHT | | SMT V | |
| SIZE | A3 | CAGE CODE | 00779 |
| DRAWING NO | C=2390138 | | RESTRICTED TO |
| CUSTOMER DRAWING | SCALE | N/A | SHEET 3 OF 4 |
| | | | REV A |

NOTE:

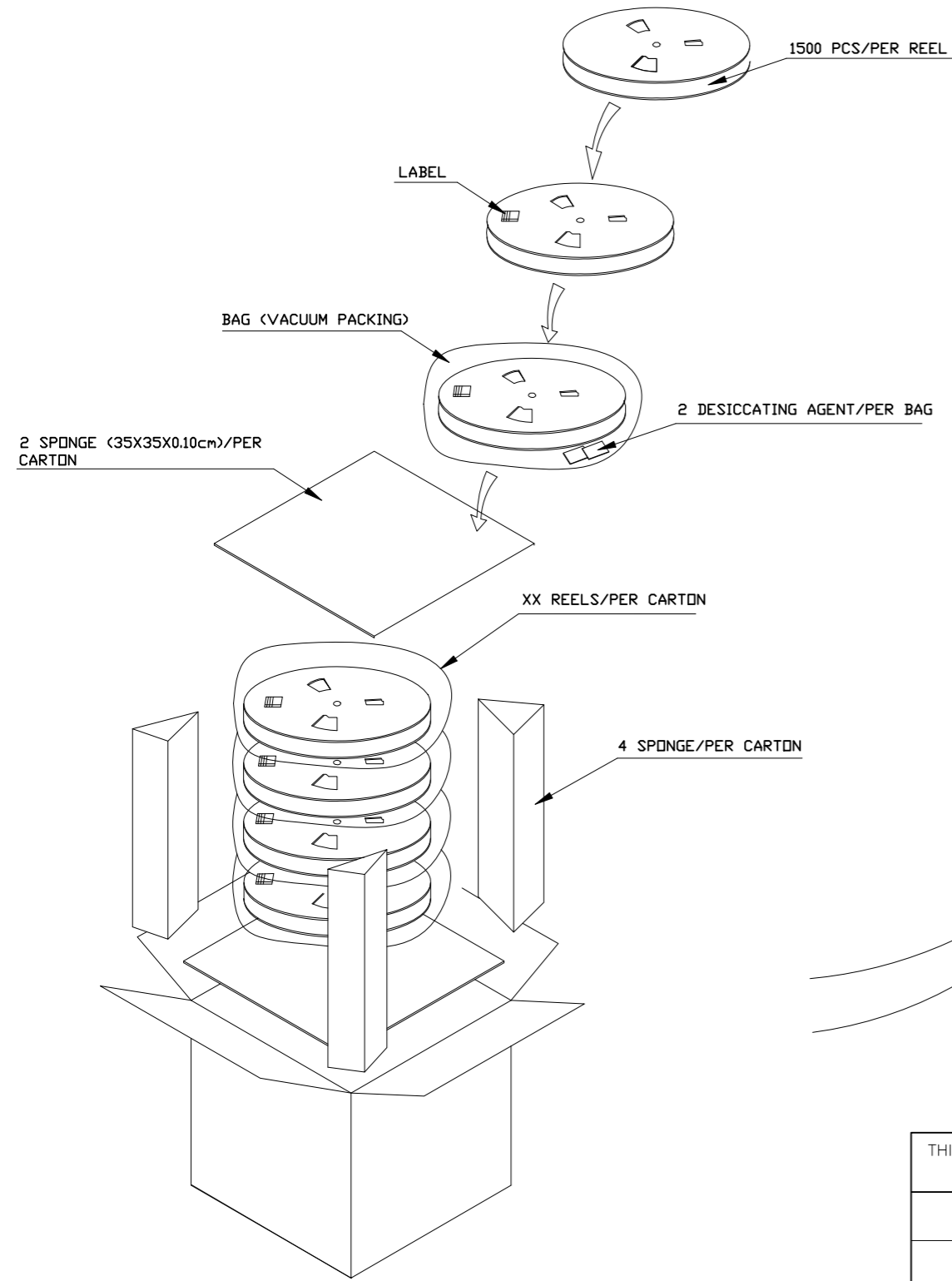
1. STAPLES SHOULD ONLY BE USED TO SET UP CARTON
ALL CARTONS CLOSURES MUST BE DONE WITH TAPE.
2. FILL PACKAGING REEL WITH THE QUANTITIES AS INDICATED

4 3 2 1

© 2021 TE Connectivity. All Rights Reserved.

REVISIONS

| P | LTR | DESCRIPTION | DATE | DWN | APVD |
|---|-----|-------------|------|-----|------|
| - | - | SEE SHEET 1 | - | - | - |



NOTE:

1. STAPLES SHOULD ONLY BE USED TO SET UP CARTON
ALL CARTONS CLOSURES MUST BE DONE WITH TAPE.
2. FILL PACKAGING REEL WITH THE QUANTITIES AS INDICATED

| | | | | | |
|------------------|----------------|------------------|-----|--------------|-------------|
| 8000(PCS) | 1600(PCS) | 5 | 15P | 7-2390138-5 | 5-2390138-5 |
| 8000(PCS) | 1600(PCS) | 5 | 14P | 7-2390138-4 | 5-2390138-4 |
| 8000(PCS) | 1600(PCS) | 5 | 13P | 7-2390138-3 | 5-2390138-3 |
| 8000(PCS) | 1600(PCS) | 5 | 12P | 7-2390138-2 | 5-2390138-2 |
| 8000(PCS) | 1600(PCS) | 5 | 11P | 7-2390138-1 | 5-2390138-1 |
| 8000(PCS) | 1600(PCS) | 5 | 10P | 7-2390138-0 | 5-2390138-0 |
| 8000(PCS) | 1600(PCS) | 5 | 9P | 6-2390138-9 | 4-2390138-9 |
| 8000(PCS) | 1600(PCS) | 5 | 8P | 6-2390138-8 | 4-2390138-8 |
| 8000(PCS) | 1600(PCS) | 5 | 7P | 6-2390138-7 | 4-2390138-7 |
| 8000(PCS) | 1600(PCS) | 5 | 6P | 6-2390138-6 | 4-2390138-6 |
| 16000(PCS) | 1600(PCS) | 10 | 5P | 6-2390138-5 | 4-2390138-5 |
| 16000(PCS) | 1600(PCS) | 10 | 4P | 6-2390138-4 | 4-2390138-4 |
| 16000(PCS) | 1600(PCS) | 10 | 3P | 6-2390138-3 | 4-2390138-3 |
| 16000(PCS) | 1600(PCS) | 10 | 2P | 6-2390138-2 | 4-2390138-2 |
| 8000(PCS) | 1600(PCS) | 5 | 15P | 3-2390138-5 | 1-2390138-5 |
| 8000(PCS) | 1600(PCS) | 5 | 14P | 3-2390138-4 | 1-2390138-4 |
| 8000(PCS) | 1600(PCS) | 5 | 13P | 3-2390138-3 | 1-2390138-3 |
| 8000(PCS) | 1600(PCS) | 5 | 12P | 3-2390138-2 | 1-2390138-2 |
| 8000(PCS) | 1600(PCS) | 5 | 11P | 3-2390138-1 | 1-2390138-1 |
| 8000(PCS) | 1600(PCS) | 5 | 10P | 3-2390138-0 | 1-2390138-0 |
| 8000(PCS) | 1600(PCS) | 5 | 9P | 2-2390138-9 | 2390138-9 |
| 8000(PCS) | 1600(PCS) | 5 | 8P | 2-2390138-8 | 2390138-8 |
| 8000(PCS) | 1600(PCS) | 5 | 7P | 2-2390138-7 | 2390138-7 |
| 8000(PCS) | 1600(PCS) | 5 | 6P | 2-2390138-6 | 2390138-6 |
| 16000(PCS) | 1600(PCS) | 10 | 5P | 2-2390138-5 | 2390138-5 |
| 16000(PCS) | 1600(PCS) | 10 | 4P | 2-2390138-4 | 2390138-4 |
| 16000(PCS) | 1600(PCS) | 10 | 3P | 2-2390138-3 | 2390138-3 |
| 16000(PCS) | 1600(PCS) | 10 | 2P | 2-2390138-2 | 2390138-2 |
| PARTS PER CARTON | PARTS PER REEL | REELS PER CARTON | POS | GOLD FLASH | MATT TIN |
| | | | | PLATING SPEC | |
| | | | | PART NUMBER | |

| | | | | | |
|--|--------|--------------------------|-----------------|-----------|------------|
| THIS DRAWING IS A CONTROLLED DOCUMENT. | | DWN Tommy Qian 12APR2021 | TE Connectivity | | |
| DIMENSIONS: mm | | CHK Niki Shi 12APR2021 | | | |
| TOLERANCES UNLESS OTHERWISE SPECIFIED: | | APVD Niki Shi 12APR2021 | NAME | | |
| 0 PLC ± 0.5 | | 1.25mm PITCH WTB Conn. | | | |
| 1 PLC ± 0.25 | | SMT V | | | |
| 2 PLC ± 0.15 | | - | | | |
| 3 PLC ± 0.1 | | - | | | |
| 4 PLC ± - | | - | | | |
| ANGLES ± 2' | | - | | | |
| MATERIAL | FINISH | WEIGHT | SIZE | CAGE CODE | DRAWING NO |
| NOTE 1 | NOTE 2 | - | A3 | 00779 | C=2390138 |
| CUSTOMER DRAWING | | | SCALE | SHEET | REV |
| | | | N/A | 4 OF 4 | A |

X-ON Electronics

Largest Supplier of Electrical and Electronic Components

Click to view similar products for [Headers & Wire Housings](#) category:

Click to view products by [TE Connectivity](#) manufacturer:

Other Similar products are found below :

[892-18-020-10-001101](#) [58102-G61-06LF](#) [582553-1](#) [0009485154](#) [009176003701906](#) [0050291907](#) [LY20-4P-DT1-P1E-BR](#) [02.125.8002.8](#)
[609-3404](#) [61062-3](#) [61082-181009](#) [622-3653LF](#) [63453-116](#) [636-1030](#) [636-1427](#) [636-3427](#) [636-4007](#) [641938-9](#) [641991-4](#) [644827-2](#) [65817-](#)
[010LF](#) [65817-015LF](#) [65863-015LF](#) [66207-023LF](#) [67095-007LF](#) [67601157](#) [68645-018](#) [68648-049](#) [70.362.1628.0](#) [70-4210](#) [70-4226B](#) [70-](#)
[4853B](#) [707-5020](#) [707-5028](#) [71.350.2428.0](#) [71918-208LF](#) [71961-016LF](#) [733-134](#) [733-162](#) [754199-000](#) [760-3052](#) [787-8014-00](#) [79531-3000](#)
[FCN-360C032-B](#) [FCN-367T-T012/H](#) [FCN-723D010/2](#) [80.063.4001.1](#) [800-90-001-10-001000](#) [800-90-010-10-002000](#) [801-43-002-10-013000](#)