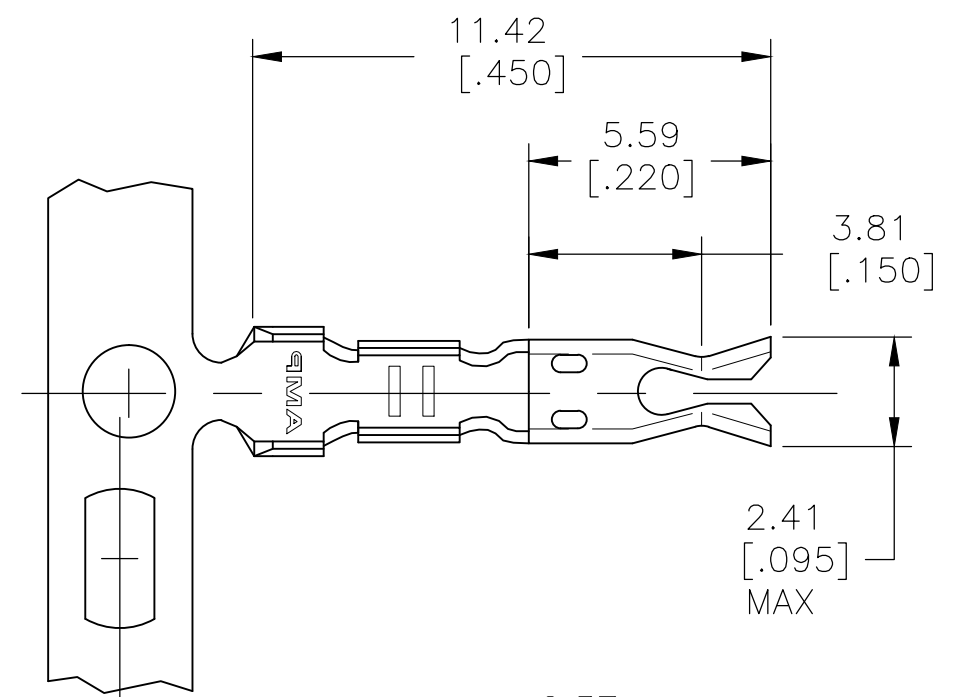
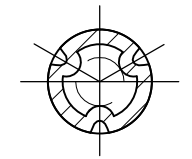


THIS DRAWING IS UNPUBLISHED. RELEASED FOR PUBLICATION  
 © COPYRIGHT - By - ALL RIGHTS RESERVED.

REVISIONS				
P	LTR	DESCRIPTION	DATE	APVD
	AZ2	REVISED PER ECR-15-016346	09MAY2016	NK LP



OPTIONAL DESIGNS TO STABILIZE PIN

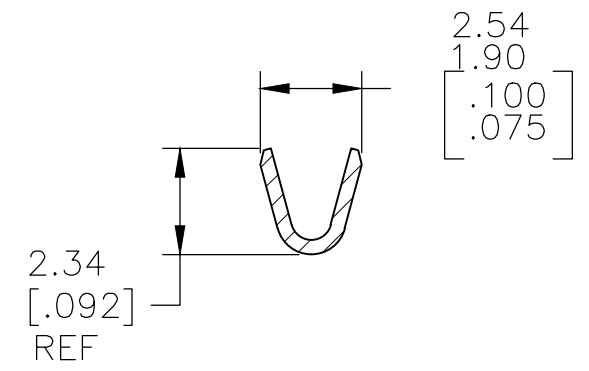
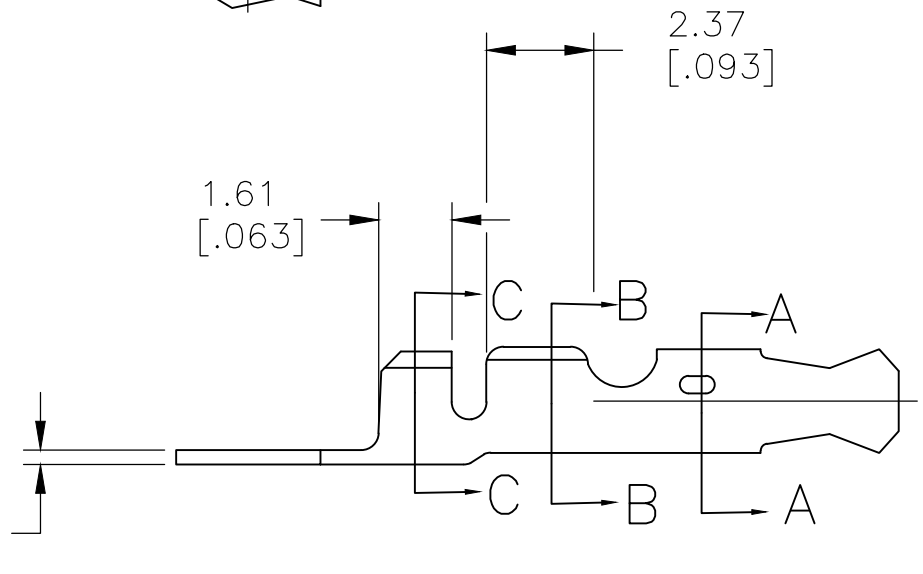


DIMPLES

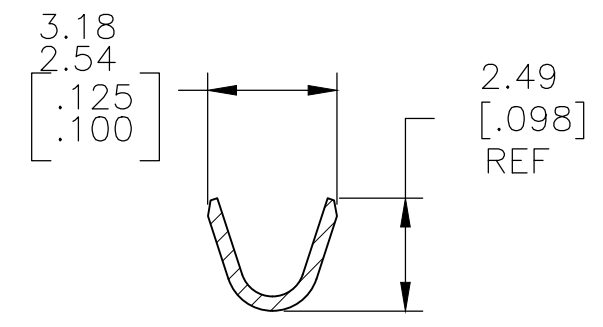


"F" CRIMP

SECTION A-A



SECTION B-B



SECTION C-C

- 1 CONTINUOUS STRIP ON REELS ON 7.37[.290] CENTERS
- 2 WIRE SIZE IS 0.2 - 0.5 mm<sup>2</sup> [#24 - #20 AWG]
- 3 INSULATION RANGE IS 1.22 - 1.80 [.048 - .071] DIA
- 4 CONTACT ACCEPTS 1.02±.03[.040±.001] DIA PIN

	REVERSE REEL	H04 PHOS BRONZE - SILVER PL	42428-8
OBSOLETE	REVERSE REEL	H04 PHOS BRONZE - UNPLATED	<del>42428-6</del>
	REVERSE REEL	H04 PHOS BRONZE - TIN PL	42428-5
OBSOLETE	--	H04 PHOS BRONZE - TIN PL	<del>42428-2</del>
	REMARKS	MATERIAL & FINISH	PART NO

THIS DRAWING IS A CONTROLLED DOCUMENT.		DWN jr_ruth 18DEC07	<b>STE</b> TE Connectivity	
DIMENSIONS: mm [INCHES]		CHK DON DECKER 18DEC07		
TOLERANCES UNLESS OTHERWISE SPECIFIED:		APVD DON DECKER 18DEC07	NAME	
0 PLC ± -		PRODUCT SPEC	RECEPTACLE, PIN, 1.02[.040] DIA	
1 PLC ± -		APPLICATION SPEC	SIZE CAGE CODE DRAWING NO RESTRICTED TO	
2 PLC ± 0.38[.015]		114-2083	A3 00779 C-42428	
3 PLC ± -		WEIGHT	SCALE 6:1 SHEET 1 OF 1 REV AZ2	
4 PLC ± -		CUSTOMER DRAWING		
ANGLES ± 5°				
FINISH				
SEE TABLE				

## X-ON Electronics

Largest Supplier of Electrical and Electronic Components

*Click to view similar products for [Terminals](#) category:*

*Click to view products by [TE Connectivity](#) manufacturer:*

Other Similar products are found below :

[00-054007-01074-6](#) [00-054007-70206-1](#) [00-054007-70210-8](#) [00-054007-70217-7](#) [00-054007-70226-9](#) [00-054007-70228-3](#) [00-054007-70248-1](#) [00-054007-70256-6](#) [00-054007-70301-3](#) [00-054007-70316-7](#) [0-0320562-0](#) [00-054007-49560-4](#) [00-054007-70209-2](#) [00-054007-70225-2](#) [00-054007-70227-6](#) [00-054007-70231-3](#) [00-054007-70241-2](#) [00-054007-70242-9](#) [00-054007-70244-3](#) [00-054007-70246-7](#) [00-054007-70263-4](#) [00-054007-70288-7](#) [00-054007-70290-0](#) [00-054007-70300-6](#) [00-054007-70304-4](#) [01-2065-1-0216](#) [01-2900-1-04412](#) [00581P0075](#) [600TS-10](#) [60205-1](#) [604200-1](#) [605601-1](#) [60598-1-CUT-TAPE](#) [61314-6-C](#) [61810-3](#) [61-S](#) [61-SN](#) [626-0194](#) [62-NBM-A](#) [62-SN](#) [62-SP](#) [63-S](#) [640179-1](#) [M55155/059I03](#) [M55155/079C01](#) [M55155/099H02](#) [M55155/109H01](#) [M55155/109H02](#) [M55155/12XH05](#) [M55155/16XH02](#)