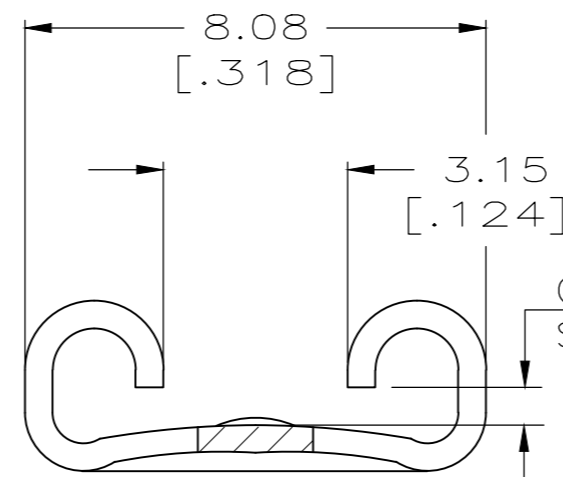
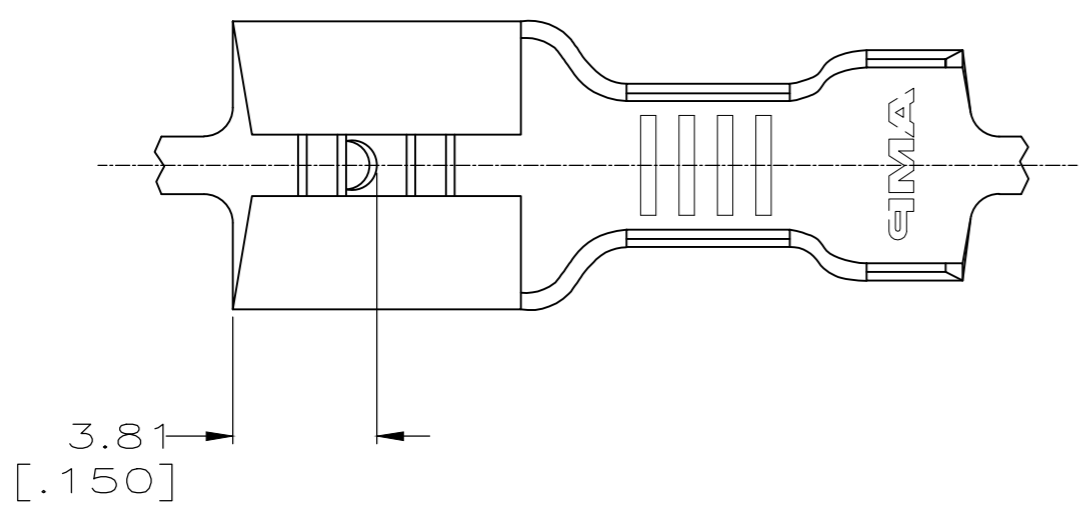


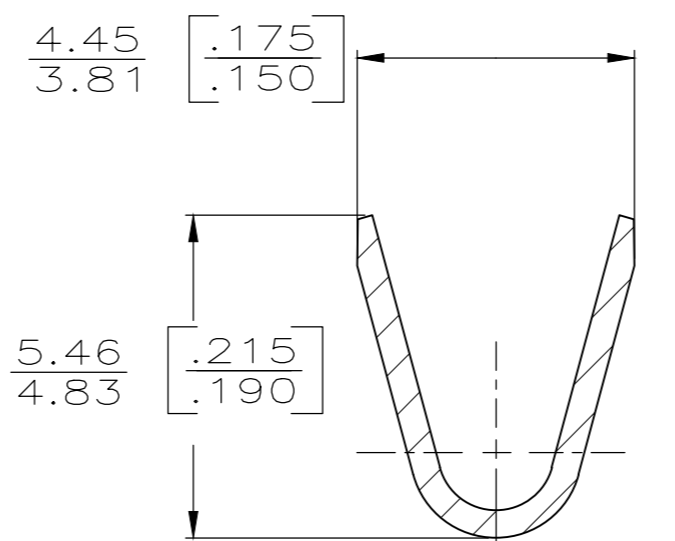
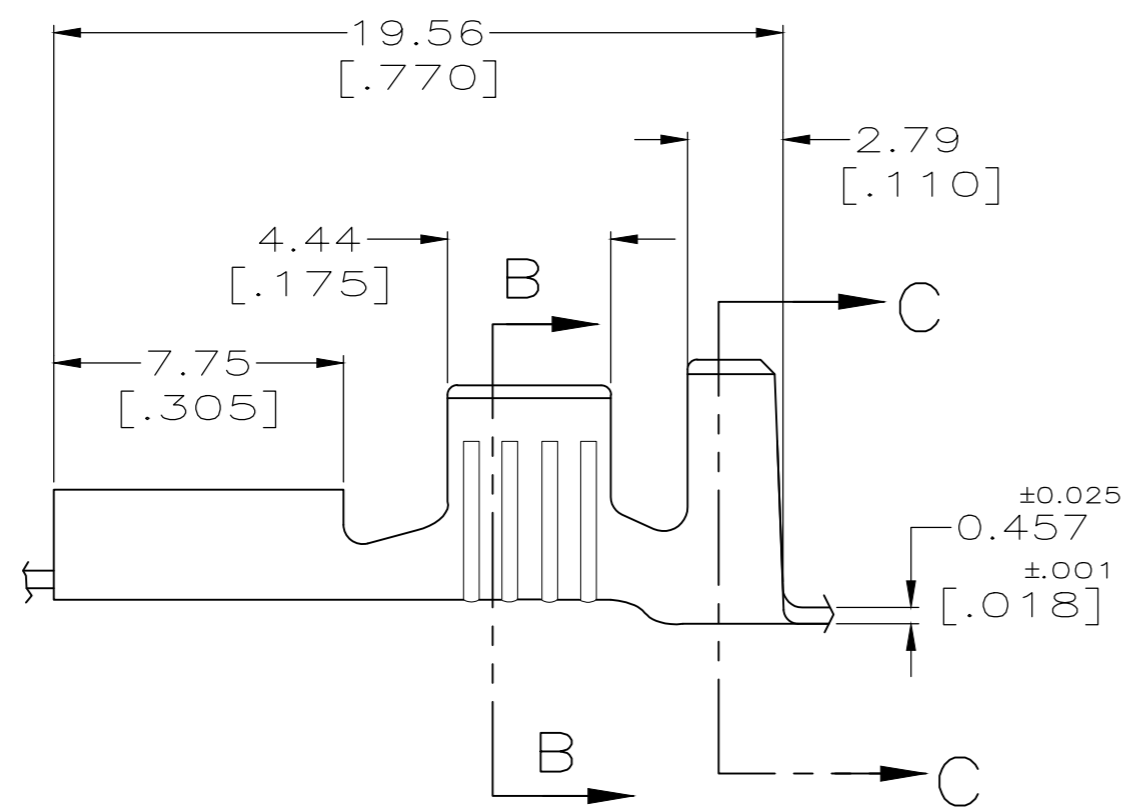
THIS DRAWING IS UNPUBLISHED. RELEASED FOR PUBLICATION
 © COPYRIGHT - By - ALL RIGHTS RESERVED.

LOC	DIST	REVISIONS			
P	LTR	DESCRIPTION	DATE	DWN	APVD
AF	50	AD1	REVISED PER ECR-20-009164	12AUG2020	MK DH

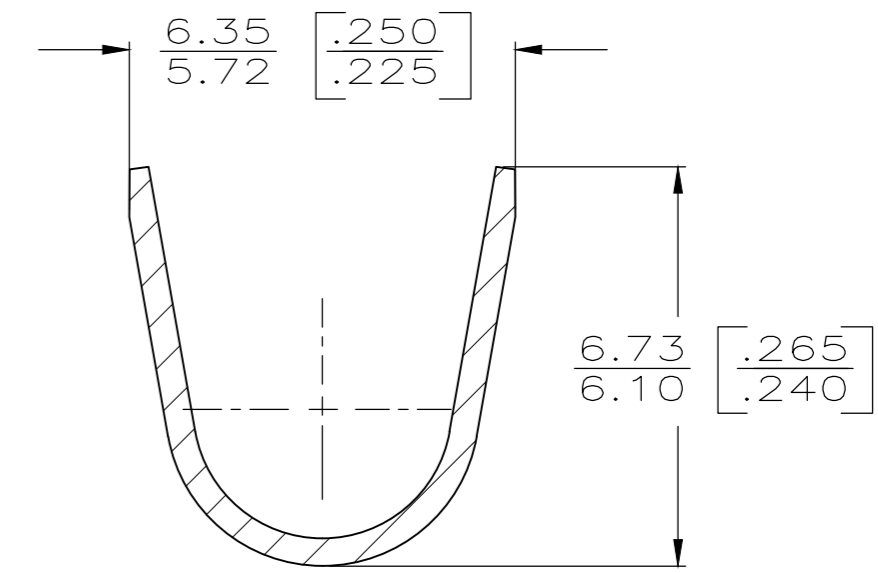


GAP AS REQUIRED TO MEET FORCE SPECIFICATION AND 0.71 [.028] MAX

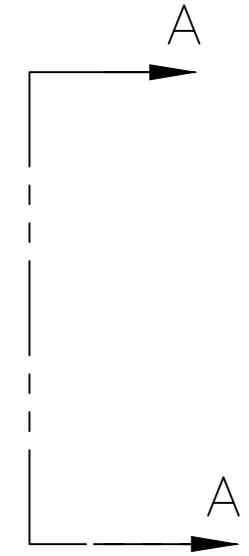
- 1 CONTINUOUS STRIP ON REELS
- △ 2 MAX FIRST INSERTION FORCE, 88.96 NEWTON [20 LBS] USING GAGE 100505.
- 3 WIRE SIZE IS #14-10 AWG
- 4 INSULATION RANGE IS 3.81-5.08 [.150-.200] DIA
- 5 MATING TAB THK IS 0.84-0.76 [.033-.030]
- △ 6 FOREIGN PRODUCTION ONLY
- △ 7 OBSOLETE PARTS: OBSOLETE CIS STREAMLINING PER D.RENAUD/D.SINISI



SECTION B-B SCALE 8:1



SECTION C-C SCALE 8:1



TYPE	WIDTH	STRIP LENGTH ±0.38 ±[.015]	TYPE	WIDTH	±0.051 ±[.002] HEIGHT	WIRE
F	5.33 [.210]	6.4 [.252]	F	3.30 [.130]	2.108 [.083]	2.0mm [14]
					2.413 [.095]	3.0mm [12]
					2.921 [.115]	5.0mm [10]
INSUL BARREL CRIMP	WIRE BARREL CRIMP					

△ 6	△ 7	OBSOLETE	SILVER	TEMP3 PHOS BRZ	△ 42437-6
			TIN	TEMP3 PHOS BRZ	△ 42437-5
		OBSOLETE	-	TEMP3 PHOS BRZ	△ 42437-4
		OBSOLETE	SILVER	TEMP4 BRASS	42437-3
			TIN	BRASS	42437-2
		OBSOLETE	-	TEMP4 BRASS	42437-1
			FINISH	MATERIAL	PART NO.

THIS DRAWING IS A CONTROLLED DOCUMENT.

DWN	JR RUTH	7/10/89	 TE Connectivity
CHK	MS FEHER	7/10/89	
APVD	C MEYERS	7/10/89	
PRODUCT SPEC			
NAME			RECEPTACLE, FASTON, .250 SERIES
MATERIAL			SIZE
SEE TABLE			CAGE CODE
SEE TABLE			DRAWING NO
SEE TABLE			RESTRICTED TO
SEE TABLE			SCALE
SEE TABLE			SHEET
SEE TABLE			REV

CUSTOMER DRAWING

X-ON Electronics

Largest Supplier of Electrical and Electronic Components

Click to view similar products for [Terminals](#) category:

Click to view products by [TE Connectivity](#) manufacturer:

Other Similar products are found below :

[00-054007-01074-6](#) [00-054007-70206-1](#) [00-054007-70210-8](#) [00-054007-70217-7](#) [00-054007-70226-9](#) [00-054007-70228-3](#) [00-054007-70248-1](#) [00-054007-70256-6](#) [00-054007-70301-3](#) [00-054007-70316-7](#) [00-054007-49560-4](#) [00-054007-70209-2](#) [00-054007-70225-2](#) [00-054007-70227-6](#) [00-054007-70231-3](#) [00-054007-70241-2](#) [00-054007-70242-9](#) [00-054007-70244-3](#) [00-054007-70246-7](#) [00-054007-70263-4](#) [00-054007-70288-7](#) [00-054007-70290-0](#) [00-054007-70300-6](#) [00-054007-70304-4](#) [01-2065-1-0216](#) [01-2900-1-04412](#) [00581P0075](#) [600TS-10](#) [60205-1](#) [604200-1](#) [605601-1](#) [60598-1-CUT-TAPE](#) [61314-6-C](#) [61810-3](#) [61-S](#) [61-SN](#) [626-0194](#) [62-NBM-A](#) [62-SN](#) [62-SP](#) [63-S](#) [640179-1](#) [M55155/059I03](#) [M55155/079C01](#) [M55155/099H02](#) [M55155/109H01](#) [M55155/109H02](#) [M55155/12XH05](#) [M55155/16XH02](#) [M55155/29-5S](#)