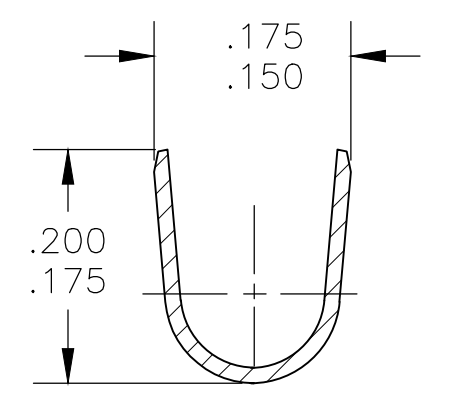
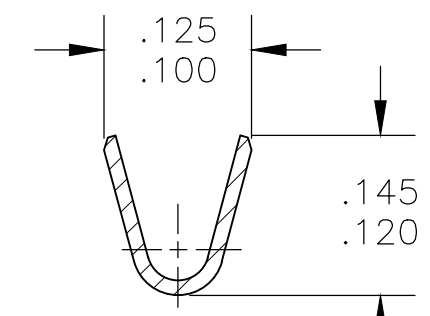
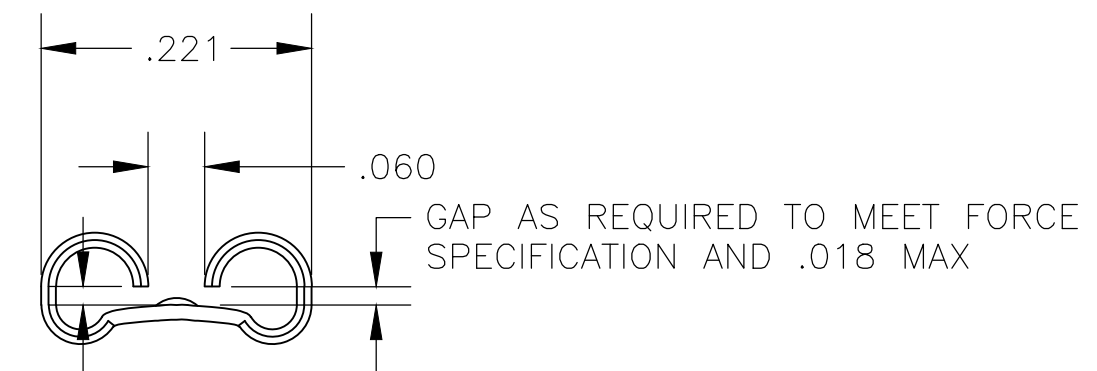
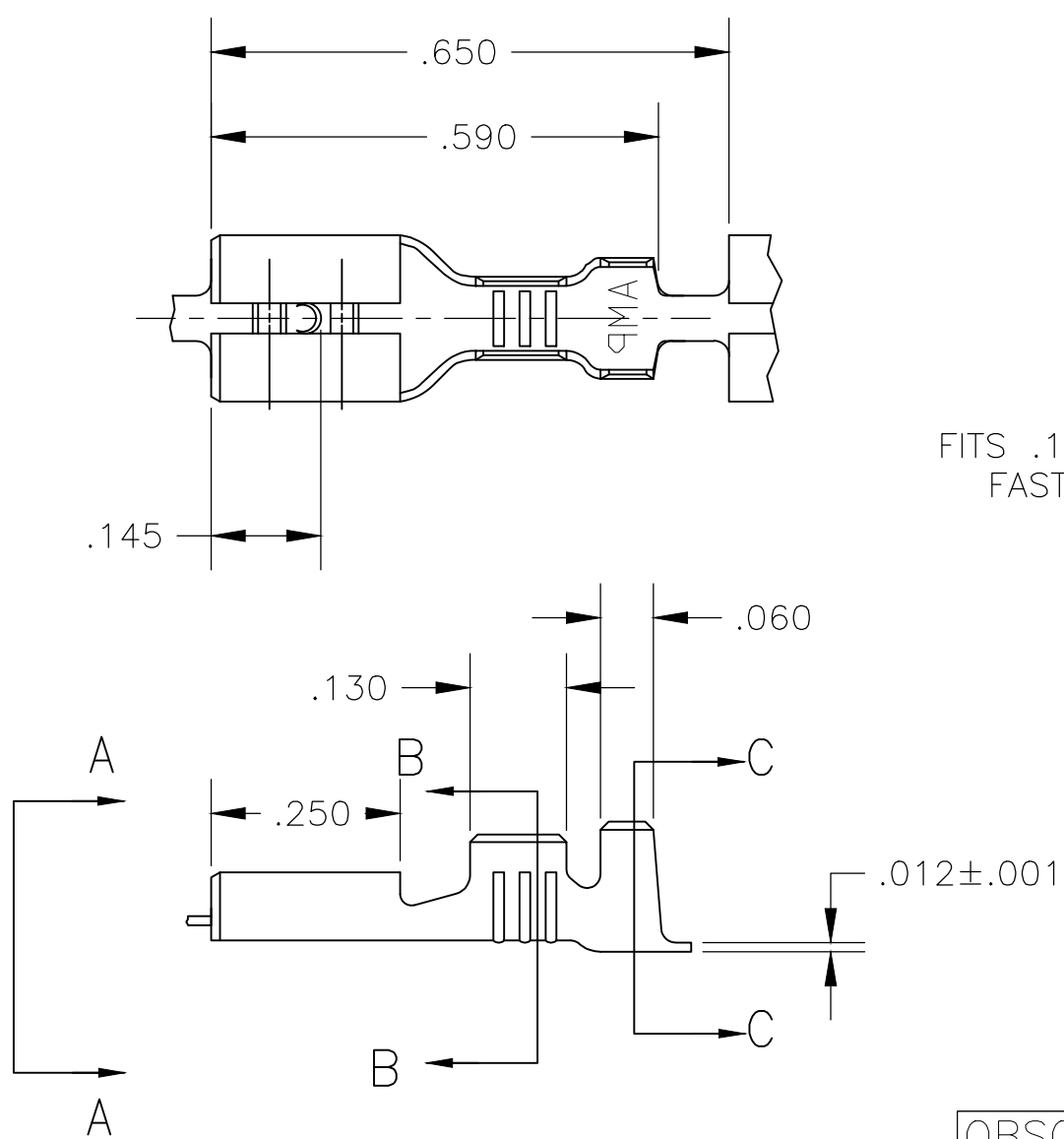


THIS DRAWING IS UNPUBLISHED. RELEASED FOR PUBLICATION
 © COPYRIGHT - By - ALL RIGHTS RESERVED.

LOC	DIST	REVISIONS					
AF	50	P	LTR	DESCRIPTION	DATE	DWN	APVD
		AG1		REVISED PER ECR-20-009164	12AUG2020	MK	DH

1 CONTINUOUS STRIP ON REELS.



	TIN	#4H PH BRZ	.090-.130	20-16	.021-.019	42452-5
OBSOLETE	SILVER	#4H PH BRZ	.090-.130	20-16	.020±.001	42452-4
OBSOLETE	SILVER	#4H BRASS	.090-.130	20-16	.020±.001	42452-3
	TIN	BRASS	.090-.130	20-16	.021-.019	42452-2
	--	BRASS	.090-.130	20-16	.021-.019	42452-1
	FINISH	MATERIAL	INSULATION RANGE	WIRE SIZE	MATING TAB THK.	PART NO.

THIS DRAWING IS A CONTROLLED DOCUMENT.		DWN	JR RUTH	10/3/86	TE Connectivity RECEPTACLE, FASTON, .187 SERIES								
DIMENSIONS: INCHES		CHK	G YETTER	10/3/86									
TOLERANCES UNLESS OTHERWISE SPECIFIED:		APVD	R KUZO	10/8/86									
0 PLC ± - 1 PLC ± - 2 PLC ± - 3 PLC ± .015 4 PLC ± - ANGLES ± -		PRODUCT SPEC		NAME									
MATERIAL	SEE ABOVE	FINISH	SEE ABOVE	WEIGHT	-	SIZE	A3	CAGE CODE	00779	DRAWING NO	C-42452	RESTRICTED TO	-
CUSTOMER DRAWING				SCALE	NTS	SHEET	1 OF 1	REV	AG1				

X-ON Electronics

Largest Supplier of Electrical and Electronic Components

Click to view similar products for [Terminals](#) category:

Click to view products by [TE Connectivity](#) manufacturer:

Other Similar products are found below :

[00-054007-01074-6](#) [00-054007-70206-1](#) [00-054007-70210-8](#) [00-054007-70217-7](#) [00-054007-70226-9](#) [00-054007-70228-3](#) [00-054007-70248-1](#) [00-054007-70256-6](#) [00-054007-70301-3](#) [00-054007-70316-7](#) [00-054007-49560-4](#) [00-054007-70209-2](#) [00-054007-70225-2](#) [00-054007-70227-6](#) [00-054007-70231-3](#) [00-054007-70241-2](#) [00-054007-70242-9](#) [00-054007-70244-3](#) [00-054007-70246-7](#) [00-054007-70263-4](#) [00-054007-70288-7](#) [00-054007-70290-0](#) [00-054007-70300-6](#) [00-054007-70304-4](#) [01-2065-1-0216](#) [01-2900-1-04412](#) [00581P0075](#) [600TS-10](#) [60205-1](#) [604200-1](#) [605601-1](#) [60598-1-CUT-TAPE](#) [61314-6-C](#) [61810-3](#) [61-S](#) [61-SN](#) [626-0194](#) [62-NBM-A](#) [62-SN](#) [62-SP](#) [63-S](#) [640179-1](#) [M55155/059I03](#) [M55155/079C01](#) [M55155/099H02](#) [M55155/109H01](#) [M55155/109H02](#) [M55155/12XH05](#) [M55155/16XH02](#) [M55155/29-5S](#)