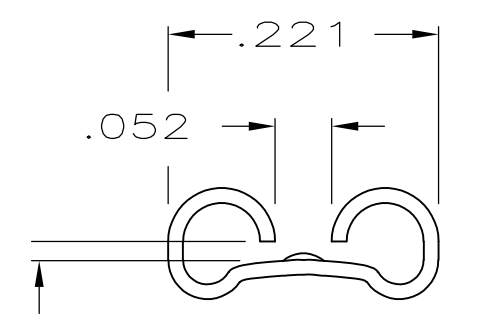
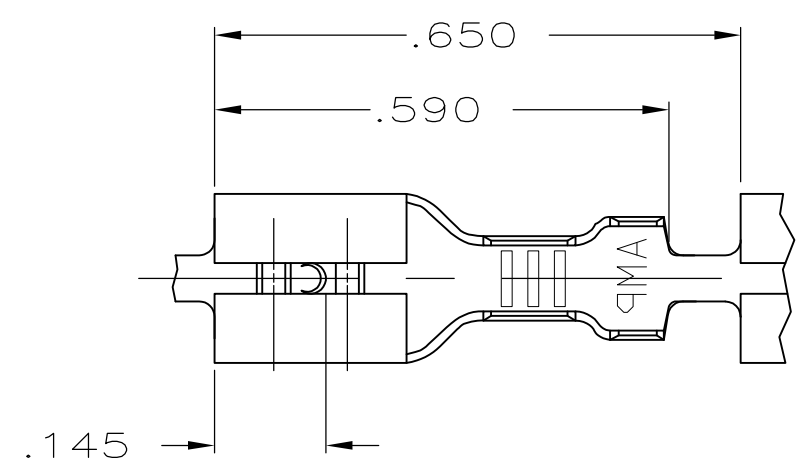


THIS DRAWING IS UNPUBLISHED. RELEASED FOR PUBLICATION
 © COPYRIGHT - By - ALL RIGHTS RESERVED.

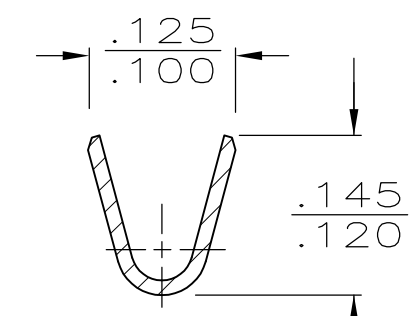
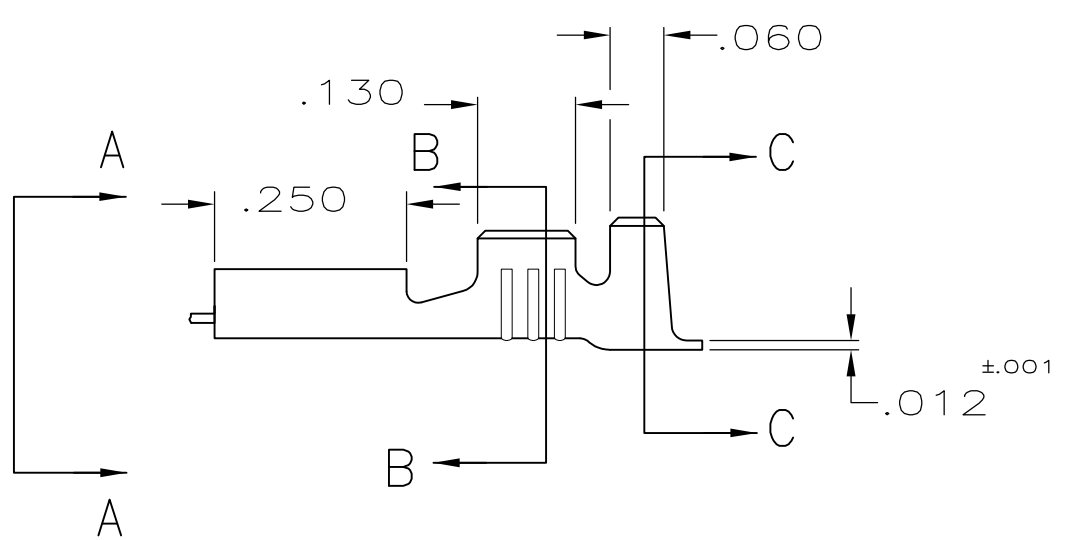
REVISIONS					
P	LTR	DESCRIPTION	DATE	DWN	APVD
	AD3	REVISED PER ECR-17-013210	13SEP2017	DL	TD



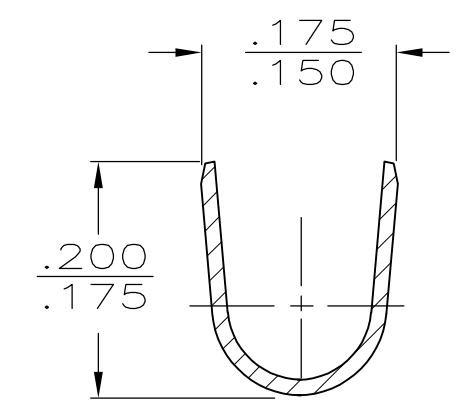
— FITS .187 SERIES FASTON TAB

VIEW A-A

1 CONTINUOUS STRIP ON REELS.



SECTION B-B



SECTION C-C

OBSOLETE	SILVER	#4H PH BRZ	.090-.130	20-16	.015 ±.001	42453-3
	TIN	BRASS	.090-.130	20-16	.015 ±.001	42453-2
OBSOLETE	—	#4H BRASS	.090-.130	20-16	.015 ±.001	42453-1
	FINISH	MATERIAL	INSULATION RANGE	WIRE SIZE	TAB THK.	PART NUMBER

THIS DRAWING IS A CONTROLLED DOCUMENT.		DWN JR RUTH 10/3/86	TE Connectivity						
DIMENSIONS: INCHES		CHK G YETTER 10/3/86					NAME		
		APVD R KUZO 10/27/96					.187 SERIES FASTON RECEPTACLE		
TOLERANCES UNLESS OTHERWISE SPECIFIED: 0 PLC ± - 1 PLC ± - 2 PLC ± - 3 PLC ± .015 4 PLC ± - ANGLES ± -		PRODUCT SPEC —					—		
MATERIAL SEE ABOVE		FINISH SEE ABOVE	APPLICATION SPEC —	SIZE A3	CAGE CODE 00779	DRAWING NO C-42453			
			WEIGHT	RESTRICTED TO		—			
CUSTOMER DRAWING				SCALE NTS	SHEET 1 OF 1	REV AD3			

X-ON Electronics

Largest Supplier of Electrical and Electronic Components

Click to view similar products for [Terminals](#) category:

Click to view products by [TE Connectivity](#) manufacturer:

Other Similar products are found below :

[HT-13-10](#) [71M-250-32-NB](#) [01-2065-1-0216](#) [00581P0075](#) [M10-10RX](#) [M10BCK](#) [60205-1](#) [604200-1](#) [60598-1-CUT-TAPE](#) [60617-1-C](#) [60873-1](#) [M14-516R/SK](#) [M14-6RSX](#) [M18-8FBX](#) [M18-8R/LX](#) [M18BCK](#) [61314-6-C](#) [61-S](#) [61-SN-A](#) [62-NBM-A](#) [63-S](#) [640179-1](#) [640917-2-CUT-TAPE](#) [6501550002](#) [66107-2-C](#) [696683-1](#) [696834-1](#) [696861-1](#) [696931-1](#) [696999-1](#) [M8-516RK](#) [M86700006](#) [MA250DMFMX-A](#) [701-2007](#) [701-2307](#) [701-7761-03](#) [70F-110-32-PB](#) [718-N-A](#) [71M-187-20-NBL](#) [71M-250-32-NBL](#) [72F-187-20-NBL](#) [72M-250-32-NBL](#) [7310](#) [73F-250-32](#) [73F-250-32-NL](#) [F14-10C](#) [F-1M](#) [751-250](#) [76650-5002](#) [76828-149](#)