

THIS DRAWING IS UNPUBLISHED.

RELEASED FOR PUBLICATION

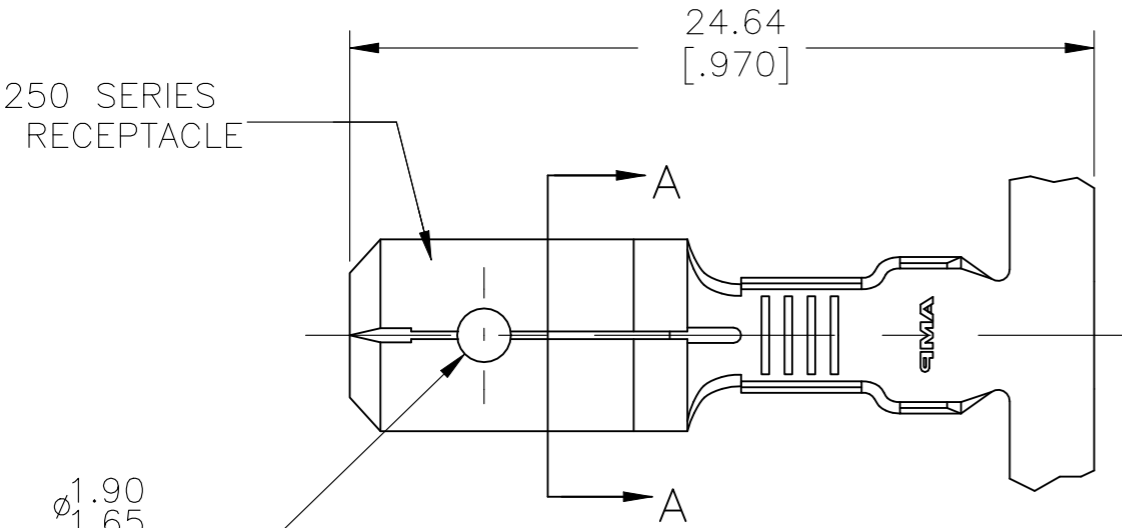
ALL RIGHTS RESERVED.

© COPYRIGHT - By -

REVISIONS

P	LTR	DESCRIPTION	DATE	DWN	APVD
V3		REVISED PER ECR-21-101176	26MAR2021	SS	EW

FITS .250 SERIES FASTON RECEPTACLE

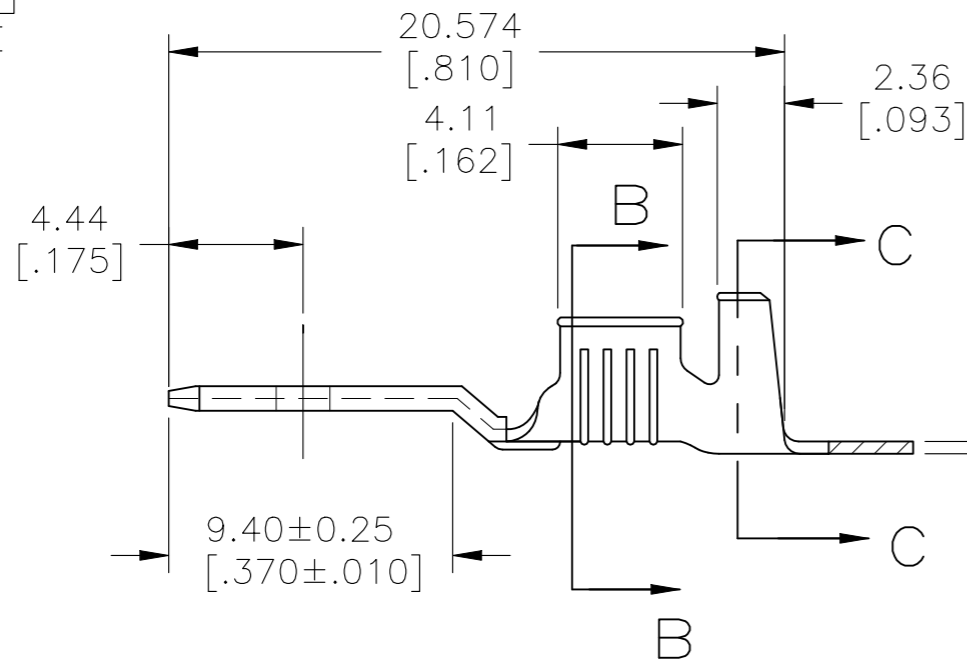


6.35±0.25
[.250]±.010

0.851
[.0335] MAX

SECTION A-A
SCALE 5:1

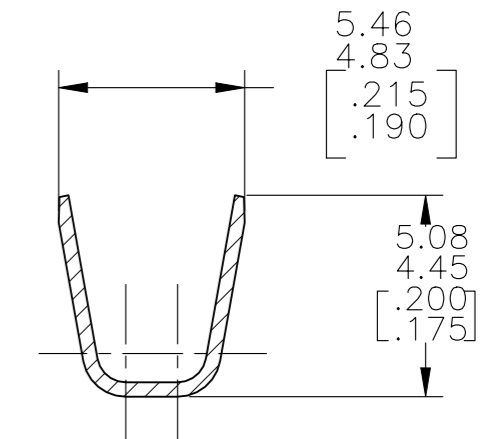
DIA HOLE



3.95
3.30
[.155]
[.130]

3.95
3.30
[.155]
[.130]

SECTION B-B
SCALE 5:1



SECTION C-C
SCALE 5:1

6	4	PRE-TIN			42474-8
5	4	TIN			42474-7
5	5	-			42474-6
5	5	SILVER .000120 MIN	2.794-3.81		42474-5
4	4	TIN	[.110-.150]	18-14 AWG	42474-4
3	3	-	DIA		42474-3
5	5	TIN			42474-2
5	5	-			42474-1
		FINISH	INSULATION RANGE	WIRE SIZE	PART NO

1 CONTINUOUS STRIP ON REELS.

2 FEED TO BE .540#.005.

3 REVERSED REEL OF 42474-1.

4 REVERSED REEL OF 42474-2.

5 FOREIGN PRODUCTION ONLY.

6 LUBRICANT APPLIED AFTER TIN PLATING.

THIS DRAWING IS A CONTROLLED DOCUMENT.

DWN JR RUTH 1/31/91

CHK MS FEHER 1/31/91

APVD C MEYERS 1/31/91

PRODUCT SPEC

APPLICATION SPEC

WEIGHT 0.000000

CUSTOMER DRAWING

STE TE Connectivity

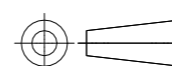
NAME TAB, FASTON™
.250 SERIES

SIZE A3 CAGE CODE 00779 DRAWING NO C-42474 RESTRICTED TO

SCALE 4:1 SHEET 1 OF 1 REV V3

DIMENSIONS:
mm [INCHES]

TOLERANCES UNLESS
OTHERWISE SPECIFIED:



0 PLC	± -
1 PLC	± -
2 PLC	± -
3 PLC	± .015
4 PLC	± -
ANGLES	± -

MATERIAL BRASS

FINISH SEE TABLE

X-ON Electronics

Largest Supplier of Electrical and Electronic Components

Click to view similar products for [Terminals](#) category:

Click to view products by [TE Connectivity](#) manufacturer:

Other Similar products are found below :

[00-054007-01074-6](#) [00-054007-70206-1](#) [00-054007-70210-8](#) [00-054007-70217-7](#) [00-054007-70226-9](#) [00-054007-70228-3](#) [00-054007-70248-1](#) [00-054007-70256-6](#) [00-054007-70301-3](#) [00-054007-70316-7](#) [00-054007-49560-4](#) [00-054007-70209-2](#) [00-054007-70225-2](#) [00-054007-70227-6](#) [00-054007-70231-3](#) [00-054007-70241-2](#) [00-054007-70242-9](#) [00-054007-70244-3](#) [00-054007-70246-7](#) [00-054007-70263-4](#) [00-054007-70288-7](#) [00-054007-70290-0](#) [00-054007-70300-6](#) [00-054007-70304-4](#) [01-2065-1-0216](#) [01-2900-1-04412](#) [00581P0075](#) [600TS-10](#) [60205-1](#) [604200-1](#) [605601-1](#) [60598-1-CUT-TAPE](#) [61314-6-C](#) [61810-3](#) [61-S](#) [61-SN](#) [626-0194](#) [62-NBM-A](#) [62-SN](#) [62-SP](#) [63-S](#) [640179-1](#) [M55155/059I03](#) [M55155/079C01](#) [M55155/099H02](#) [M55155/109H01](#) [M55155/109H02](#) [M55155/12XH05](#) [M55155/16XH02](#) [M55155/29-5S](#)