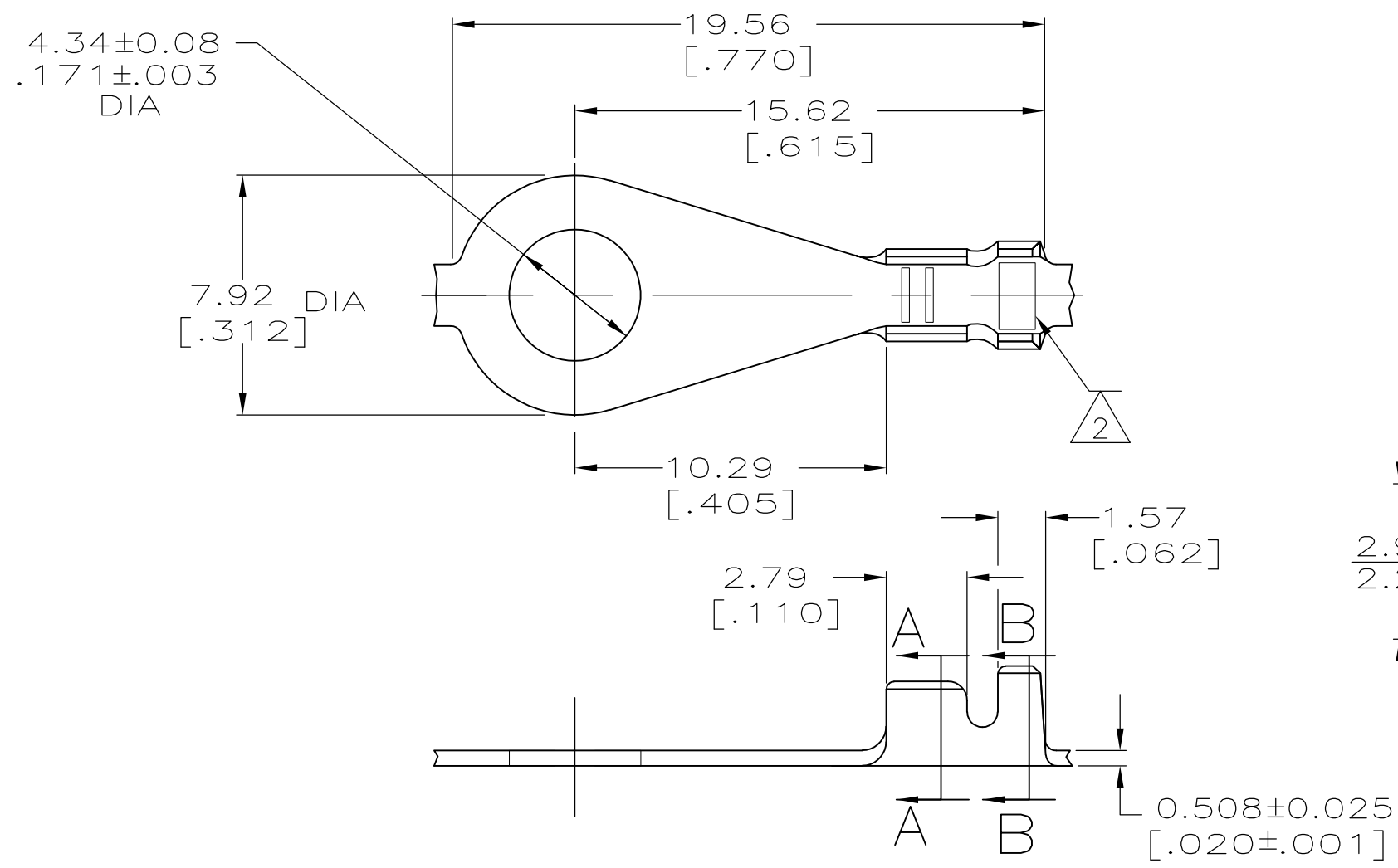
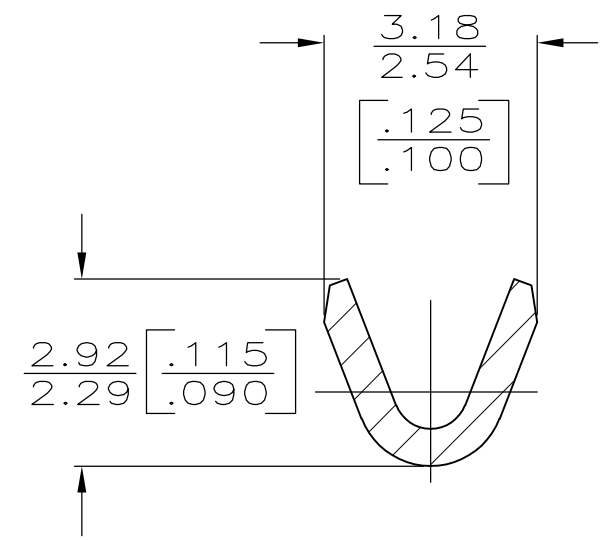


THIS DRAWING IS UNPUBLISHED. RELEASED FOR PUBLICATION
 © COPYRIGHT - By - ALL RIGHTS RESERVED.

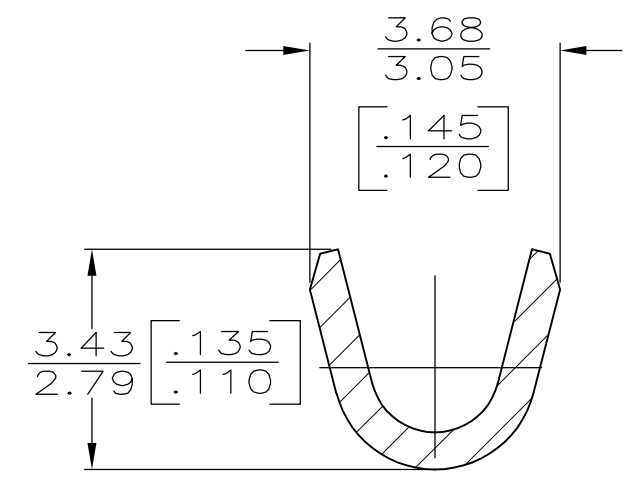
REVISIONS					
P	LTR	DESCRIPTION	DATE	DWN	APVD
	H2	REVISED PER ECR-16-013146	19SEP2016	BW	DC



- 1 CONTINUOUS STRIP ON REEL.
- 2 STAMPING: AMP FOR 42508-2
AMP* FOR 42508-3



SECTION A-A
SCALE 10:1



SECTION B-B
SCALE 10:1

H02 PHOS BRZ	1.22-1.98 DIA	0.2 - 0.6mm ²	42508-3
#2 HD BRASS	[.048-.078]	[24-20] AWG	42508-2
MATERIAL	INSULATION RANGE	WIRE RANGE	PART NO

0	.090	2.29	4.32	F	2.03	1.40[.055]	0.6mm ² [20]
F	.100	[.090]	[.170]		[.080]	1.35[.053]	0.3mm ² [22]
						1.27[.050]	0.2mm ² [24]
TYPE	WIDTH	STRIP LENGTH ±0.38 [±.015]	TYPE	WIDTH	±0.051[±.002] HEIGHT	WIRE	
INSUL BARREL CRIMP			WIRE BARREL CRIMP				

THIS DRAWING IS A CONTROLLED DOCUMENT.

DIMENSIONS: mm [INCHES]

TOLERANCES UNLESS OTHERWISE SPECIFIED:

0 PLC	± -
1 PLC	± -
2 PLC	± 0.25 [.010]
3 PLC	± -
4 PLC	± -
ANGLES	± -

MATERIAL: SEE TABLE

FINISH: TIN PLATING

DWN P FORTNEY 5/13/91
 CHK JR RUTH 5/13/91
 APVD G YETTER 5/13/91

STE TE Connectivity

NAME: RING

PRODUCT SPEC: -
 APPLICATION SPEC: -

SIZE: A3 CAGE CODE: 00779 DRAWING NO: C-42508 RESTRICTED TO: -

WEIGHT: 0.000000

CUSTOMER DRAWING SCALE: 5:1 SHEET: 1 OF 1 REV: H2

X-ON Electronics

Largest Supplier of Electrical and Electronic Components

Click to view similar products for [Terminals](#) category:

Click to view products by [TE Connectivity](#) manufacturer:

Other Similar products are found below :

[00-054007-01074-6](#) [00-054007-70206-1](#) [00-054007-70210-8](#) [00-054007-70217-7](#) [00-054007-70226-9](#) [00-054007-70228-3](#) [00-054007-70248-1](#) [00-054007-70256-6](#) [00-054007-70301-3](#) [00-054007-70316-7](#) [0-0320562-0](#) [00-054007-49560-4](#) [00-054007-70209-2](#) [00-054007-70225-2](#) [00-054007-70227-6](#) [00-054007-70231-3](#) [00-054007-70241-2](#) [00-054007-70242-9](#) [00-054007-70244-3](#) [00-054007-70246-7](#) [00-054007-70263-4](#) [00-054007-70288-7](#) [00-054007-70290-0](#) [00-054007-70300-6](#) [00-054007-70304-4](#) [01-2065-1-0216](#) [01-2900-1-04412](#) [00581P0075](#) [600TS-10](#) [60205-1](#) [604200-1](#) [605601-1](#) [60598-1-CUT-TAPE](#) [61314-6-C](#) [61810-3](#) [61-S](#) [61-SN](#) [626-0194](#) [62-NBM-A](#) [62-SN](#) [62-SP](#) [63-S](#) [640179-1](#) [M55155/059I03](#) [M55155/079C01](#) [M55155/099H02](#) [M55155/109H01](#) [M55155/109H02](#) [M55155/12XH05](#) [M55155/16XH02](#)