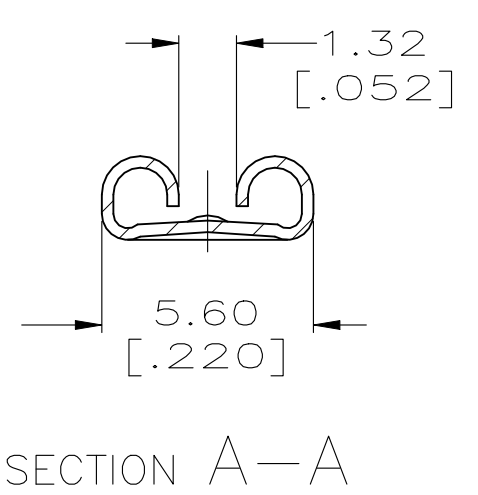
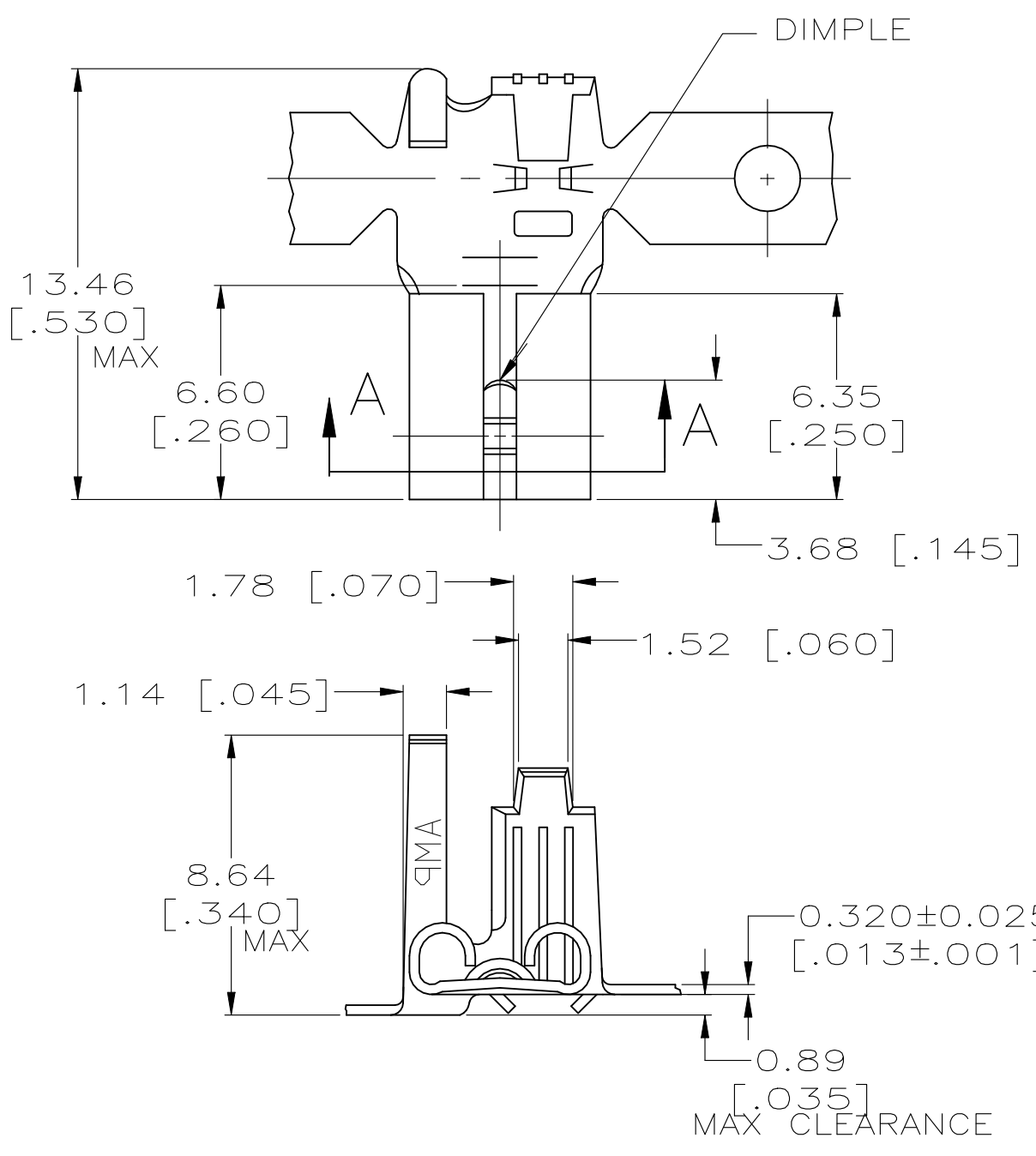


| REVISIONS |     |                           |           |     |      |
|-----------|-----|---------------------------|-----------|-----|------|
| P         | LTR | DESCRIPTION               | DATE      | DWN | APVD |
|           | G1  | REVISED PER ECR-19-017980 | 09DEC2021 | SS  | EW   |

- 1 CONTINUOUS STRIP ON REELS.
- 2 ACCEPTS [#20-#16] AWG WIRE.
- 3 INSULATION RANGE TO BE 2.79-4.32 [.110-.170] DIA.
- 4 MATING TAB THICKNESS TO BE 0.51±0.025 [.020±.001]
- 5 FEED TO BE 16.38±0.13 [.645±.005]
- △ 6 PREPRODUCTION - FASR REQUIRED



|          |        |                 |     |          |
|----------|--------|-----------------|-----|----------|
| OBSOLETE | TIN    | H04 PHOS BRONZE | △ 6 | 42618-3  |
|          | TIN    | BRASS           |     | 42618-2  |
|          | -      | BRASS           |     | 42618-1  |
|          | FINISH | MATERIAL        |     | PART NO. |

|   |  |                  |            |         |                            |          |       |     |   |        |
|---|--|------------------|------------|---------|----------------------------|----------|-------|-----|---|--------|
| THIS DRAWING IS A CONTROLLED DOCUMENT.    |  | DWN              | JR RUTH    | 1/25/96 | <b>STE</b> TE Connectivity |          |       |     |   |        |
| DIMENSIONS:<br>MM [ INCHES ]              |  | CHK              | P FORTNEY  | 1/25/96 |                            |          |       |     | NAME<br>RECEPTACLE, FASTON, FLAG,<br>MOLDABLE, 4.75 [.187] SERIES |        |
| TOLERANCES UNLESS<br>OTHERWISE SPECIFIED: |  | APVD             | P DESANTIS | 1/25/96 | SIZE<br>A3                 |          |       |     |   |        |
| 0 PLC ± -                                 |  | PRODUCT SPEC     | -          |         |                            |          |       |     | CAGE CODE   | 00779  |
| 1 PLC ± -                                 |  | APPLICATION SPEC | -          |         | WEIGHT                     | 0.000000 | SCALE | 5:1 | SHEET   | 1 OF 1 |
| 2 PLC ± 0.38 [.015]                       |  | FINISH           | SEE TABLE  |         | CUSTOMER DRAWING           | REV      |       | G1  |   |        |
| 3 PLC ± -                                 |  |                  |            |         |                            |          |       |     |   |        |
| 4 PLC ± -                                 |  |                  |            |         |                            |          |       |     |   |        |
| ANGLES ± -                                |  |                  |            |         |                            |          |       |     |   |        |
| MATERIAL<br>SEE TABLE                     |  |                  |            |         |                            |          |       |     |   |        |

## X-ON Electronics

Largest Supplier of Electrical and Electronic Components

*Click to view similar products for [Terminals](#) category:*

*Click to view products by [TE Connectivity](#) manufacturer:*

Other Similar products are found below :

[00-054007-01074-6](#) [00-054007-70206-1](#) [00-054007-70210-8](#) [00-054007-70217-7](#) [00-054007-70226-9](#) [00-054007-70228-3](#) [00-054007-70248-1](#) [00-054007-70256-6](#) [00-054007-70301-3](#) [00-054007-70316-7](#) [0-0320562-0](#) [00-054007-49560-4](#) [00-054007-70209-2](#) [00-054007-70225-2](#) [00-054007-70227-6](#) [00-054007-70231-3](#) [00-054007-70241-2](#) [00-054007-70242-9](#) [00-054007-70244-3](#) [00-054007-70246-7](#) [00-054007-70263-4](#) [00-054007-70288-7](#) [00-054007-70290-0](#) [00-054007-70300-6](#) [00-054007-70304-4](#) [01-2065-1-0216](#) [01-2900-1-04412](#) [00581P0075](#) [600TS-10](#) [60205-1](#) [604200-1](#) [605601-1](#) [60598-1-CUT-TAPE](#) [61314-6-C](#) [61810-3](#) [61-S](#) [61-SN](#) [626-0194](#) [62-NBM-A](#) [62-SN](#) [62-SP](#) [63-S](#) [640179-1](#) [M55155/059I03](#) [M55155/079C01](#) [M55155/099H02](#) [M55155/109H01](#) [M55155/109H02](#) [M55155/12XH05](#) [M55155/16XH02](#)