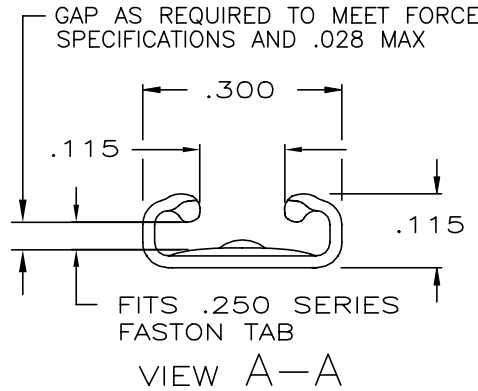
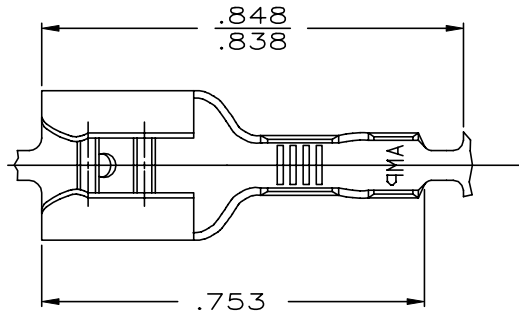
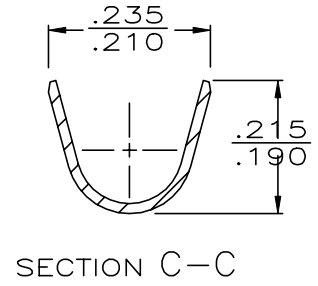
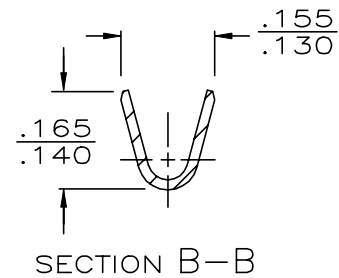
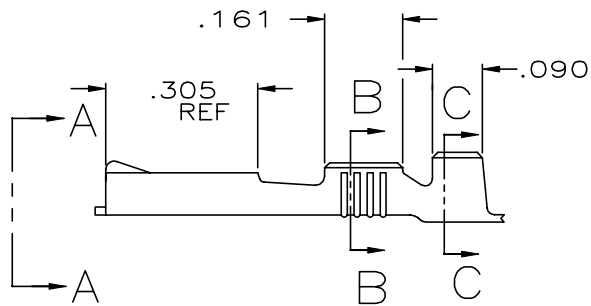


THIS DRAWING IS UNPUBLISHED. RELEASED FOR PUBLICATION  
 © COPYRIGHT - By - ALL RIGHTS RESERVED.

LOC	DIST	REVISIONS			
P	LTR	DESCRIPTION	DATE	DWN	APVD
AF	50	U	REVISED PER ECR-12-013445	09NOV12	KH PD
		U1	REVISED PER ECR-20-009164	14JUL2020	MK DH



- 1 CONTINUOUS STRIP ON REELS.
- 2 MATING TAB THK IS .033-.030
- 3 WIRE SIZE IS #18-#14 AWG.
- 4 INSULATION RANGE IS .120-.170 DIA. ±.001
- 5 PRELIMINARY - NOT FOR PRODUCTION
- 6 REDUCED PACKAGE QUANTITY



FINISH	MATERIAL	PART NO
TIN	.016±.001 BRASS	6 542660-6
NICKEL	.016±.001 STEEL	5 42660-5
PRE-TIN	.016±.001 BRASS	42660-4
TIN	BRASS	42660-2
	BRASS	42660-1

THIS DRAWING IS A CONTROLLED DOCUMENT.		DWN JR RUTH 4/17/86	TE Connectivity	
DIMENSIONS: INCHES		CHK G YETTER 4/17/86		
TOLERANCES UNLESS OTHERWISE SPECIFIED:		APVD C MEYERS 4/17/86	NAME	
0 PLC ±- 1 PLC ±- 2 PLC ±- 3 PLC ±.015 4 PLC ±- ANGLES ±-		PRODUCT SPEC	RECEPTACLE FASTON™ .250 SERIES	
MATERIAL SEE ABOVE		APPLICATION SPEC	SIZE A3	CAGE CODE 00779
FINISH SEE ABOVE		WEIGHT	DRAWING NO C=42660	RESTRICTED TO
		CUSTOMER DRAWING	SCALE NTS	SHEET 1 of 1
			REV U1	

## X-ON Electronics

Largest Supplier of Electrical and Electronic Components

*Click to view similar products for [Terminals](#) category:*

*Click to view products by [TE Connectivity](#) manufacturer:*

Other Similar products are found below :

[00-054007-01074-6](#) [00-054007-70206-1](#) [00-054007-70210-8](#) [00-054007-70217-7](#) [00-054007-70226-9](#) [00-054007-70228-3](#) [00-054007-70248-1](#) [00-054007-70256-6](#) [00-054007-70301-3](#) [00-054007-70316-7](#) [0-0320562-0](#) [00-054007-49560-4](#) [00-054007-70209-2](#) [00-054007-70225-2](#) [00-054007-70227-6](#) [00-054007-70231-3](#) [00-054007-70241-2](#) [00-054007-70242-9](#) [00-054007-70244-3](#) [00-054007-70246-7](#) [00-054007-70263-4](#) [00-054007-70288-7](#) [00-054007-70290-0](#) [00-054007-70300-6](#) [00-054007-70304-4](#) [01-2065-1-0216](#) [01-2900-1-04412](#) [00581P0075](#) [600TS-10](#) [60205-1](#) [604200-1](#) [605601-1](#) [60598-1-CUT-TAPE](#) [61314-6-C](#) [61810-3](#) [61-S](#) [61-SN](#) [626-0194](#) [62-NBM-A](#) [62-SN](#) [62-SP](#) [63-S](#) [640179-1](#) [M55155/059I03](#) [M55155/079C01](#) [M55155/099H02](#) [M55155/109H01](#) [M55155/109H02](#) [M55155/12XH05](#) [M55155/16XH02](#)