

THIS DRAWING IS UNPUBLISHED.

RELEASED FOR PUBLICATION

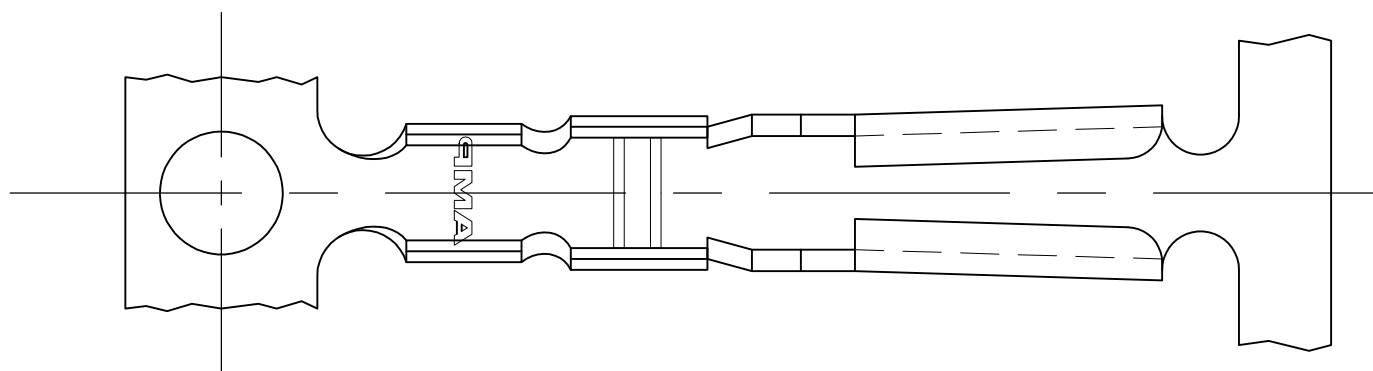
ALL RIGHTS RESERVED.

© COPYRIGHT - By -

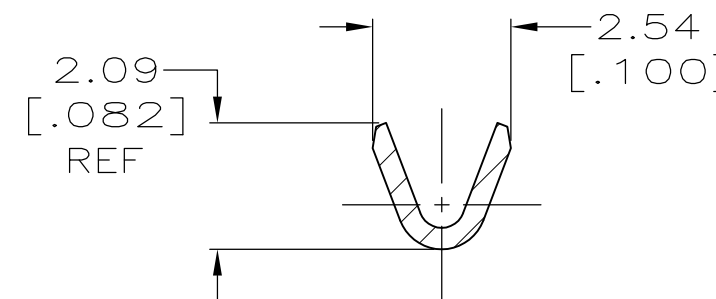
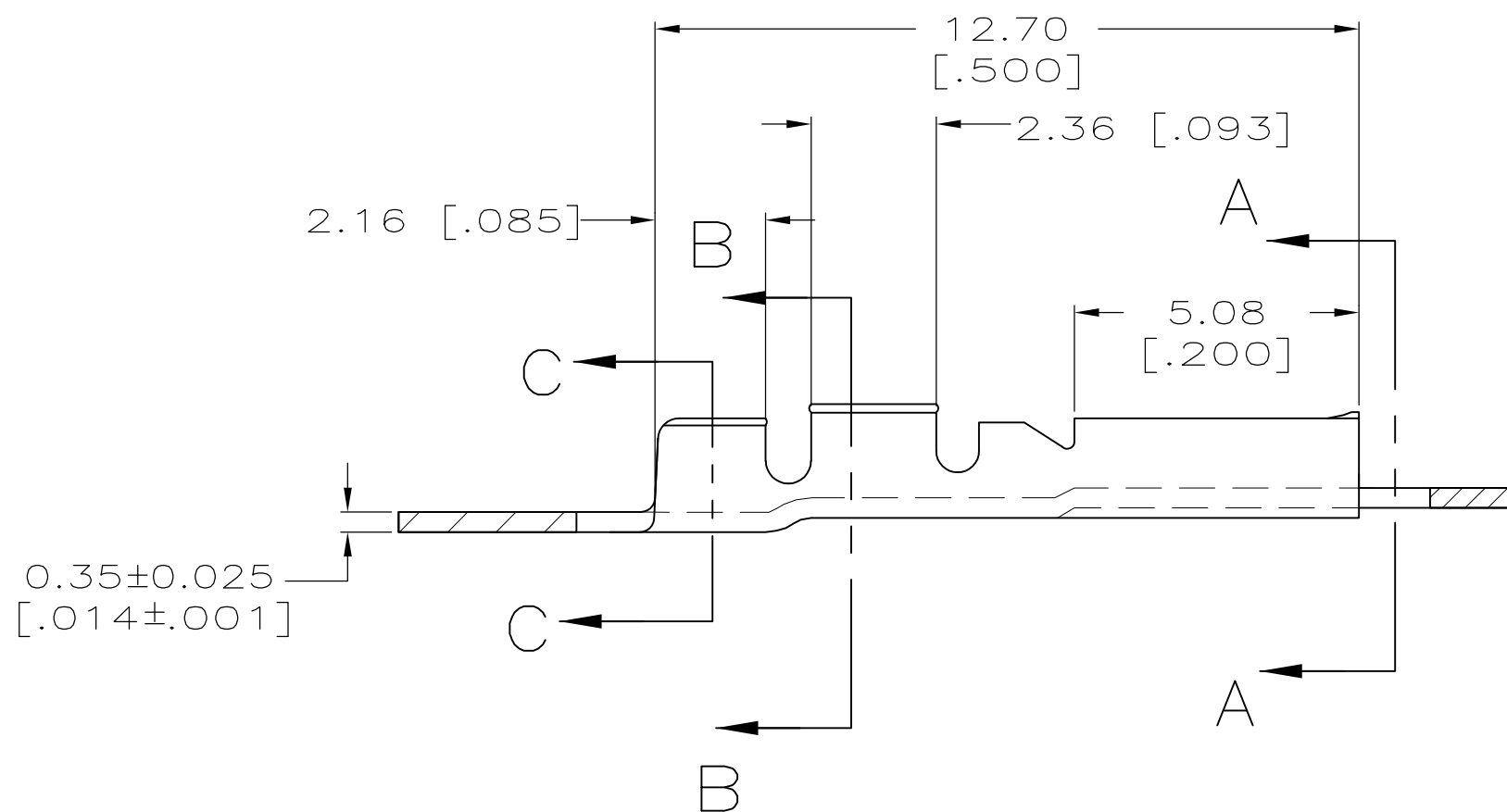
LOC AF DIST 50

REVISIONS

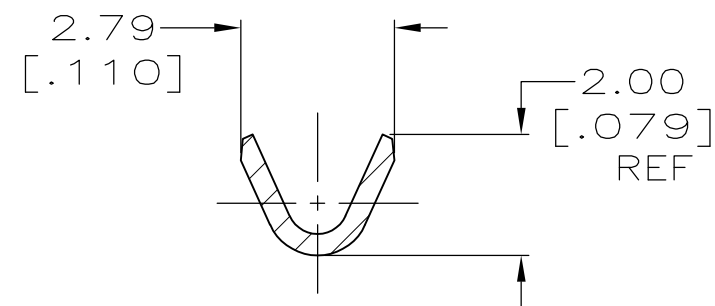
P	LTR	DESCRIPTION	DATE	DWN	APVD
	AL	REVISED PER ECR-12-013445	09NOV12	KH	PD



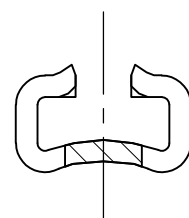
- 1 CONTINUOUS STRIP ON REELS.
- 2 WIRE SIZE IS [#24-#22] AWG.
- 3 INSULATION RANGE IS 1.52 [.060]MAX
- 4 ACCEPTS 0.58-0.41 [.023-.016] THK TAB.
- 5 SAME AS 41355 EXCEPT REVERSE REEL FOR ARTOS MACHINE.



SECTION B-B




SECTION C-C



SECTION A-A

42765-1
PART NO.

THIS DRAWING IS A CONTROLLED DOCUMENT.		DWN JR RUTH 12OCT99	 TE Connectivity		
DIMENSIONS: mm [INCHES]		CHK S HEADER 12OCT99			
TOLERANCES UNLESS OTHERWISE SPECIFIED:		APVD S HEADER 12OCT99	NAME RECEPTACLE, TAPER TAB, 2.0 [.078] SERIES		
0 PLC ± -		PRODUCT SPEC	SIZE A3		
1 PLC ± -		APPLICATION SPEC	CAGE CODE 00779	DRAWING NO C-42765	RESTRICTED TO -
2 PLC ± 0.38 [.015]		WEIGHT -	SCALE 8:1 SHEET 1 OF 1 REV AL		
3 PLC ± -		CUSTOMER DRAWING			
4 PLC ± -					
ANGLES ± -					
MATERIAL BRASS		FINISH 0.002032 [.000080] MIN TIN			

X-ON Electronics

Largest Supplier of Electrical and Electronic Components

Click to view similar products for [Terminals category](#):

Click to view products by [TE Connectivity manufacturer](#):

Other Similar products are found below :

[00-054007-01074-6](#) [00-054007-70206-1](#) [00-054007-70210-8](#) [00-054007-70217-7](#) [00-054007-70228-3](#) [00-054007-70256-6](#) [00-054007-70316-7](#) [00-054007-49560-4](#) [00-054007-70209-2](#) [00-054007-70231-3](#) [00-054007-70241-2](#) [00-054007-70242-9](#) [00-054007-70246-7](#) [00-054007-70263-4](#) [00-054007-70288-7](#) [00-054007-70290-0](#) [00-054007-70300-6](#) [00-054007-70304-4](#) [01-2900-1-04412](#) [00581P0075](#) [600TS-10](#) [605601-1](#) [60598-1-CUT-TAPE](#) [60617-1-C](#) [61314-6-C](#) [61810-3](#) [62149-1](#) [626-0194](#) [63-S](#) [M55155/059I03](#) [M55155/079C01](#) [M55155/099B03](#) [M55155/099H02](#) [M55155/109H01](#) [M55155/12XH05](#) [M55155/29XJ08](#) [M55155/30-6S](#) [M55155/30-9S](#) [M55155/30XI09](#) [M6-14RSX](#) [696683-1](#) [696861-1](#) [696999-1](#) [M86700006](#) [D18-110B-C](#) [D18-110B-M](#) [701-1936](#) [701-1955](#) [701-2003](#) [701-2007](#)