

4

3

2

1

THIS DRAWING IS UNPUBLISHED.

RELEASED FOR PUBLICATION

20

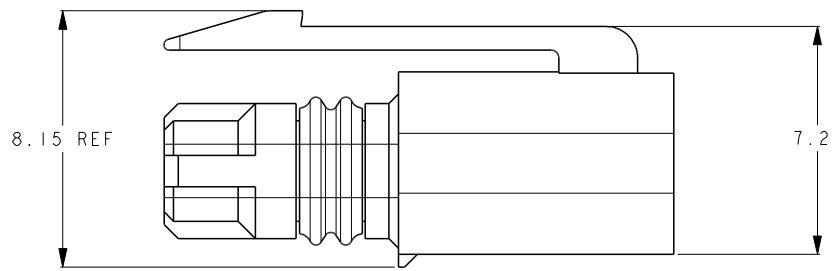
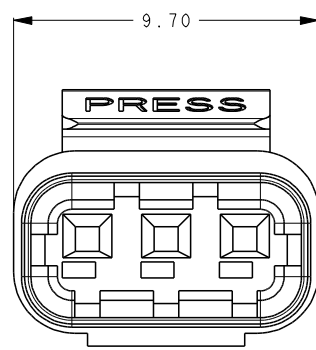
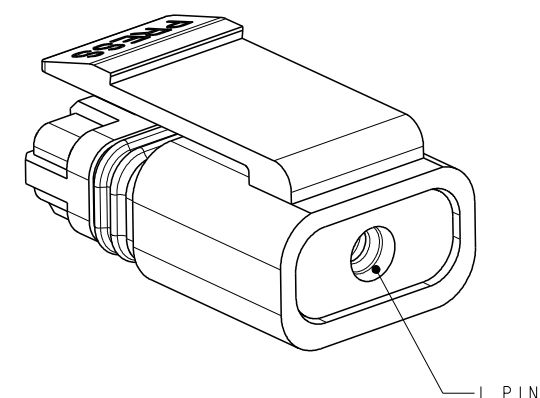
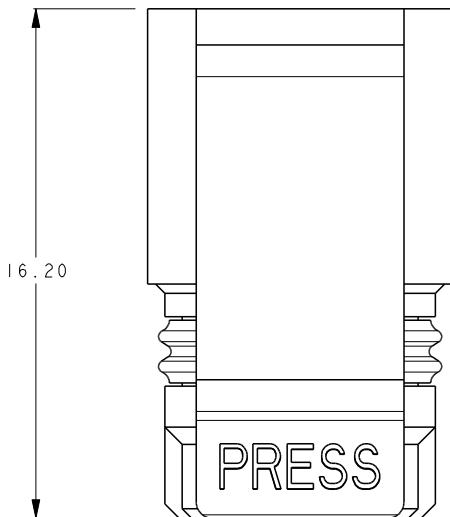
© COPYRIGHT 20

ALL RIGHTS RESERVED.

ES

REVISIONS

P	LTR	DESCRIPTION	DATE	DWN	APVD
A		INITIAL RELEASE	15JUL2016	Z.W	X.X
B		ADD NEW I POS PART NUMBERS	20JUN2017	Z.W	S.M
C		UPDATE PACKAGE SPEC	2JAN2018	Z.W	S.M



- NOTES:
- 1. MATERIAL: THERMOPLASTIC, UL94-V0.
 - 2. HOUSING: RUBBER.
 - 3. SEAL: RUBBER.
 - 4. PART NUMBER: SEE TABLE
 - 5. PACKAGING: TRAY.
 - 6. PACKAGING SPEC: 107-137093.

COLOR	NO OF POSN	PART NUMBER
GRAY	1	4-2834074-1
RED	1	3-2834074-1
BLACK	1	2-2834074-1
WHITE	1	1-2834074-1

(B)

THIS DRAWING IS A CONTROLLED DOCUMENT.		DWN	15JULY2016	STE TE Connectivity	
		CHK	ZHANG WEI		
		APVD	15JULY2016	NAME PLUG MINIATURE WATERPROOF CONNECTOR	
			SHI MING		
		PRODUCT SPEC	108-137093	SIZE	
		APPLICATION SPEC	114-137093		
		WEIGHT	-	CAGE CODE	DRAWING NO
		CUSTOMER DRAWING		A300779	C=2834074
		SCALE	5:1	SHEET	1 OF 4
		RESTRICTED TO		REV	C

4

3

2

1

THIS DRAWING IS UNPUBLISHED.

RELEASED FOR PUBLICATION

20

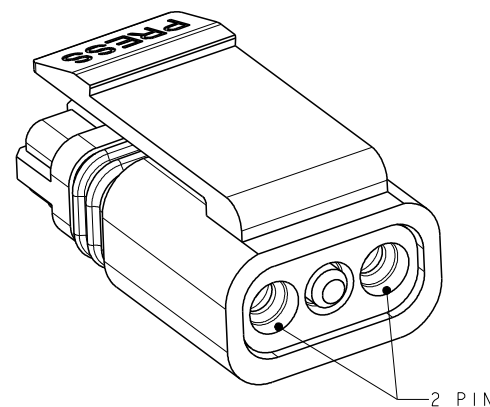
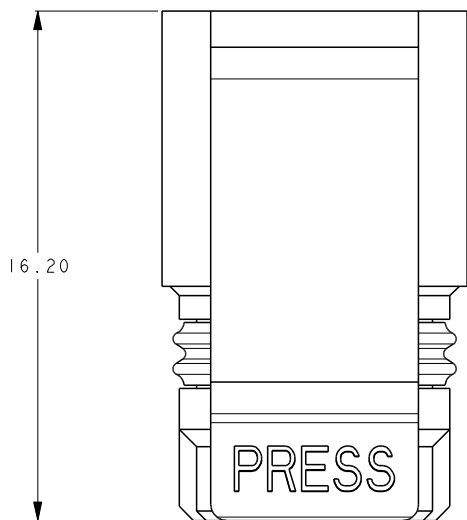
© COPYRIGHT 20

ALL RIGHTS RESERVED.

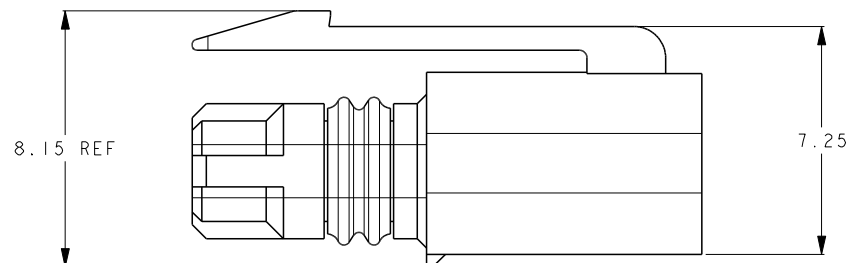
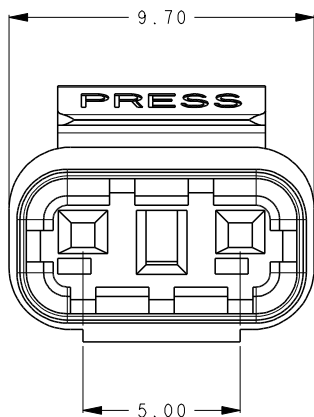
ES

REVISIONS

P	LTR	DESCRIPTION	DATE	DWN	APVD
		SEE SHEET 1			




2 PIN



- NOTES:
 ▲ MATERIAL:
 HOUSING: THERMOPLASTIC, UL94-V0.
 SEAL: RUBBER.
 2. PART NUMBER: SEE TABLE
 3. PACKAGING: TRAY.
 4. PACKAGING SPEC: 107-137093.

GRAY	2	4-2834074-2
RED	2	3-2834074-2
BLACK	2	2-2834074-2
WHITE	2	1-2834074-2
COLOR	NO OF POSN	PART NUMBER

THIS DRAWING IS A CONTROLLED DOCUMENT.		DWN	15JULY2016	 TE Connectivity	
DIMENSIONS:		CHK	15JULY2016		
mm		APVD	15JULY2016		
TOLERANCES UNLESS OTHERWISE SPECIFIED:		NAME			
± 0.5		PRODUCT SPEC		PLUG	
0-PLC ±		APPLICATION SPEC		MINIATURE WATERPROOF CONNECTOR	
1-PLC ±		108-137093		SIZE	CAGE CODE
2-PLC ±		114-137093		A300779	DRAWING NO
3-PLC ±		WEIGHT		©=2834074	RESTRICTED TO
4-PLC ±		CUSTOMER DRAWING		SCALE 5:1	SHEET 2 OF 4
ANGLES ±5°				REV C	
MATERIAL	FINISH				
▲					

4

3

2

1

THIS DRAWING IS UNPUBLISHED.

RELEASED FOR PUBLICATION

20

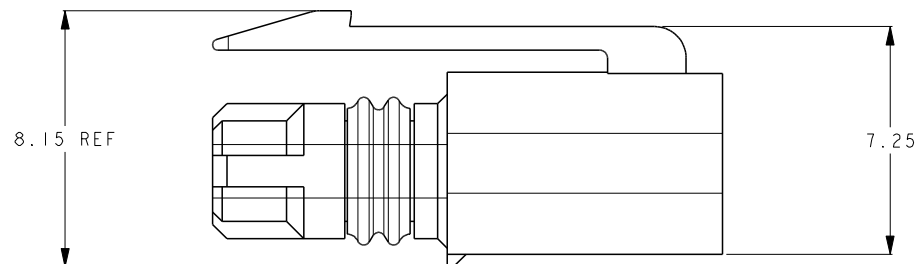
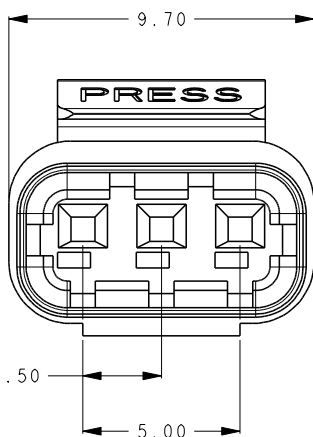
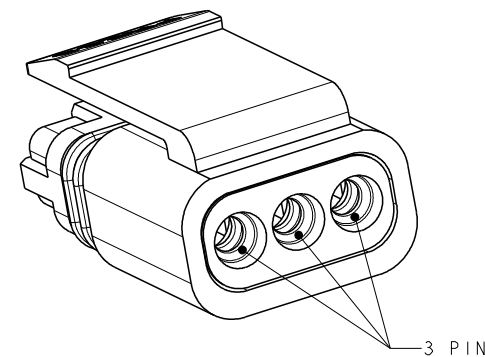
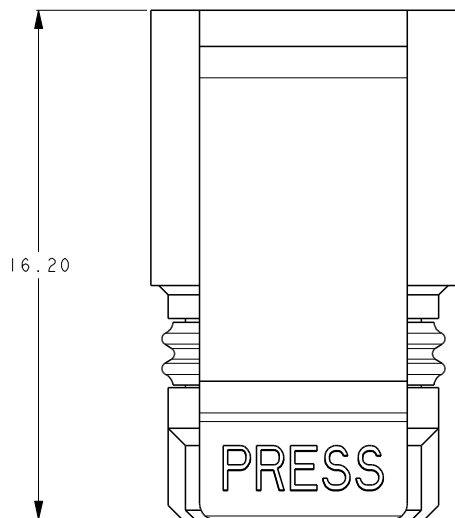
© COPYRIGHT 20

ALL RIGHTS RESERVED.

ES


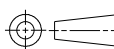

REVISIONS

P	LTR	DESCRIPTION	DATE	DWN	APVD
		SEE SHEET 1			



- NOTES:
- 1. MATERIAL: THERMOPLASTIC, UL94-V0.
 - 2. HOUSING: RUBBER.
 - 3. SEAL: RUBBER.
 - 4. PART NUMBER: SEE TABLE
 - 5. PACKAGING: TRAY.
 - 6. PACKAGING SPEC: 107-137093.

GRAY	3	4-2834074-3
RED	3	3-2834074-3
BLACK	3	2-2834074-3
WHITE	3	1-2834074-3
COLOR	NO OF POSN	PART NUMBER

THIS DRAWING IS A CONTROLLED DOCUMENT.		DWN	15 JULY 2016	 TE Connectivity	
DIMENSIONS: mm		CHK	15 JULY 2016		
TOLERANCES UNLESS OTHERWISE SPECIFIED: ± 0.5		APVD	15 JULY 2016		
		NAME	XU XIANG		
0-PLC ± 1-PLC ± 2-PLC ± 3-PLC ± 4-PLC ± ANGLES ±5°		PRODUCT SPEC	108-137093	PLUG MINIATURE WATERPROOF CONNECTOR	
MATERIAL		APPLICATION SPEC	114-137093	SIZE	A3
FINISH		WEIGHT	-	CAGE CODE	00779
		CUSTOMER DRAWING	DRAWING NO		RESTRICTED TO
		SCALE	5:1	©=2834074	
		SHEET	3	OF	4
		REV	C		

THIS DRAWING IS UNPUBLISHED.

RELEASED FOR PUBLICATION

20

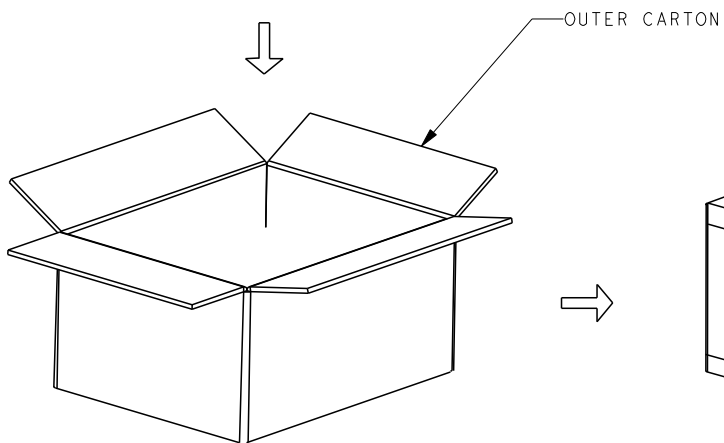
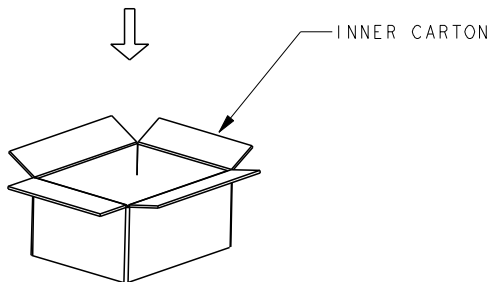
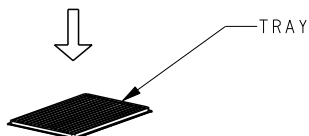
© COPYRIGHT 20

ALL RIGHTS RESERVED.

ES

REVISIONS

P	LTR	DESCRIPTION	DATE	DWN	APVD
		SEE SHEET 1			



- NOTE:
1. PUT PARTS IN THE TRAY.
 2. PUT 4 PACKED TRAYS INTO ONE INNER CARTON. PUT 4 INNER CARTONS INTO ONE OUTER CARTON. TOTAL 16 PACKED TRAYS.
 3. SEAL THE CARTON
 4. PACKAGING QUANTITY: SEE TABLE.
 5. PACKAGING SPEC : 107-137093.

PART NUMBER	PARTS PER TRAY	TRAYS PER INNER CARTON	PARTS PER INNER CARTON	TRAYS PER OUTER CARTON	PARTS PER CARTON
1-2834074-1	360 PCS	4	1440 PCS	16	5760 PCS
2-2834074-1	360 PCS	4	1440 PCS	16	5760 PCS
3-2834074-1	360 PCS	4	1440 PCS	16	5760 PCS
4-2834074-1	360 PCS	4	1440 PCS	16	5760 PCS
1-2834074-2	360 PCS	4	1440 PCS	16	5760 PCS
2-2834074-2	360 PCS	4	1440 PCS	16	5760 PCS
3-2834074-2	360 PCS	4	1440 PCS	16	5760 PCS
4-2834074-2	360 PCS	4	1440 PCS	16	5760 PCS
1-2834074-3	360 PCS	4	1440 PCS	16	5760 PCS
2-2834074-3	360 PCS	4	1440 PCS	16	5760 PCS
3-2834074-3	360 PCS	4	1440 PCS	16	5760 PCS
4-2834074-3	360 PCS	4	1440 PCS	16	5760 PCS

THIS DRAWING IS A CONTROLLED DOCUMENT.

DIMENSIONS: mm



TOLERANCES UNLESS OTHERWISE SPECIFIED: ±0.5

- 0-PLC ±
- 1-PLC ±
- 2-PLC ±
- 3-PLC ±
- 4-PLC ±
- ANGLES ±5°

MATERIAL

FINISH

DWN 15JULY2016

ZHANG WEI

CHK 15JULY2016

SHI MING

APVD 15JULY2016

XU XIANG

PRODUCT SPEC

108-137093

APPLICATION SPEC

114-137093

WEIGHT -

CUSTOMER DRAWING



TE Connectivity

NAME PLUG MINIATURE WATERPROOF CONNECTOR

SIZE CAGE CODE DRAWING NO RESTRICTED TO

A300779 ©=2834074 -

SCALE 5:1 SHEET 4 OF 4 REV C

X-ON Electronics

Largest Supplier of Electrical and Electronic Components

Click to view similar products for [Modular Connectors / Ethernet Connectors](#) category:

Click to view products by [TE Connectivity](#) manufacturer:

Other Similar products are found below :

[8949-H88/06BLKA/SN](#) [74441-0010/BKN](#) [MP1010RX-1000](#) [MP44RX-1000](#) [PHJ-4P4C-1-V-4](#) [PHP-6P6C-5](#) [GAX-3-66](#) [GAX-8-62](#) [GDCX-PA-66-50](#) [GDCX-PN-64](#) [GDCX-PN-66](#) [GDCX-PN-66-50](#) [GDLX-A-66](#) [GDLX-N-66](#) [GDLX-S-66](#) [GDLX-S-88K](#) [GDTX-S-88-50](#) [GDX-PA-1010](#) [GLX-N-1010M-BLK](#) [GLX-S-88M-BLK](#) [GMX-N-1010](#) [GMX-S-1010](#) [GMX-S-66](#) [GMX-SMT4-N-88](#) [GPX-2-64](#) [GSGX-N-2-88](#) [GSGX-N-4-88](#) [GSX-NS2-88-3.05](#) [GSX-NS2-88-3.05-50](#) [GSX-NS-88-3.05-50](#) [PT-108A-8C-UL](#) [PT-J951-8C](#) [PTS-J531-8CS-50UL](#) [1-1775629-2](#) [A-2014-0-4](#) [GWLX-S-88-GR](#) [GWLX-S9-88-YG](#) [DC-1021-8-WH-6](#) [1300530003](#) [1324640-4](#) [RJ11FTVC2G](#) [RJ11FTVC2N](#) [RJFTVX2SA1G](#) [132764-001](#) [1413235](#) [MP88X-1000](#) [MPS88RX-5000](#) [E5288-S000K3-L](#) [E5908-15A242-L](#) [155302-001](#)