

4

3

2

1

THIS DRAWING IS UNPUBLISHED.

RELEASED FOR PUBLICATION

20

© COPYRIGHT 20

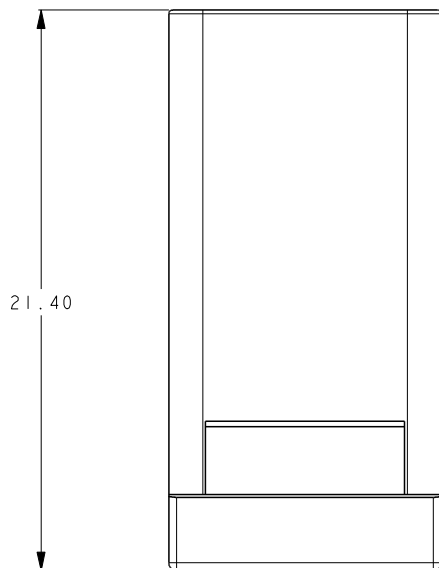
ALL RIGHTS RESERVED.

ES

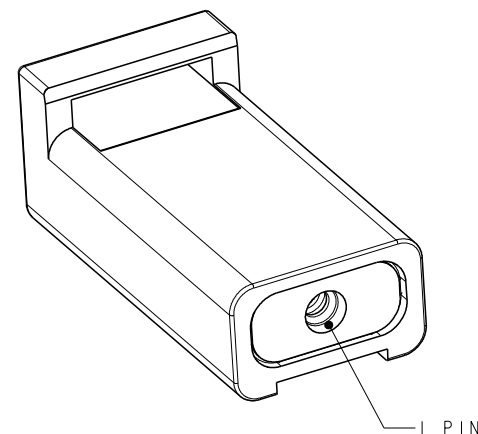
REVISIONS

P	LTR	DESCRIPTION	DATE	DWN	APVD
A		INITIAL RELEASE	25JUL2016	Z.W	X.X
B		ADD NEW I POS PART NUMBERS	20JUN2017	Z.W	S.M
C		UPDATE PACKAGE SPEC	2JAN2018	Z.W	S.M

D

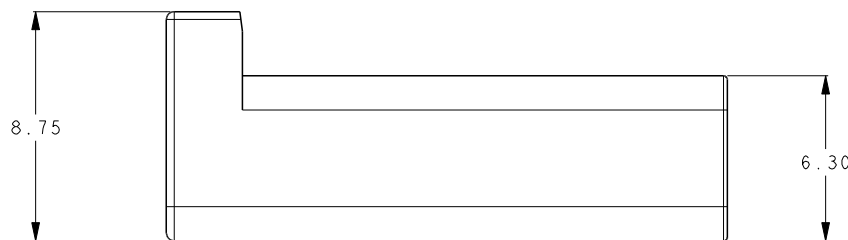
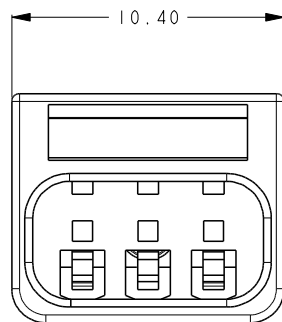


C



D

B





C

GRAY	I	4-2834075-1
RED	I	3-2834075-1
BLACK	I	2-2834075-1
WHITE	I	1-2834075-1
COLOR	NO OF POSN	PART NUMBER

B

A

- NOTES:
- MATERIAL: HOUSING: THERMOPLASTIC, UL94-V0. SEAL: RUBBER.
 - PN: SEE TABLE
 - PACKAGING: TRAY.
 - PACKAGING SPEC: 107-137093.

THIS DRAWING IS A CONTROLLED DOCUMENT.		DWN	15JULY2016	 TE Connectivity												
DIMENSIONS: mm		CHK	15JULY2016													
TOLERANCES UNLESS OTHERWISE SPECIFIED: ±0.5		APVD	15JULY2016													
<table border="1"> <tr><td>0-PLC</td><td>±</td></tr> <tr><td>1-PLC</td><td>±</td></tr> <tr><td>2-PLC</td><td>±</td></tr> <tr><td>3-PLC</td><td>±</td></tr> <tr><td>4-PLC</td><td>±</td></tr> <tr><td>ANGLES</td><td>±5°</td></tr> </table>		0-PLC	±			1-PLC	±	2-PLC	±	3-PLC	±	4-PLC	±	ANGLES	±5°	NAME
0-PLC	±															
1-PLC	±															
2-PLC	±															
3-PLC	±															
4-PLC	±															
ANGLES	±5°															
MATERIAL		PRODUCT SPEC	108-137093		SIZE	CAGE CODE	DRAWING NO	RESTRICTED TO								
FINISH		APPLICATION SPEC	114-137093		A300779		C=2834075	-								
		WEIGHT	-		CUSTOMER DRAWING	SCALE	5:1	SHEET 1 OF 4	REV C							

4

3

2

1

THIS DRAWING IS UNPUBLISHED.

RELEASED FOR PUBLICATION

20

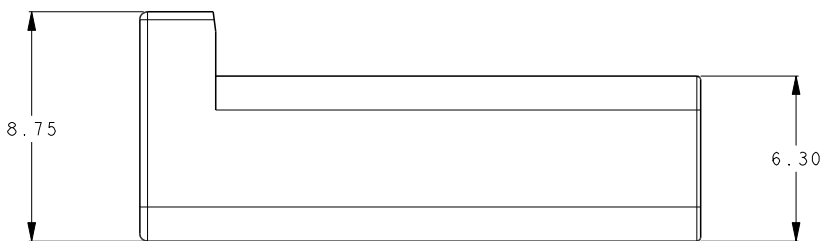
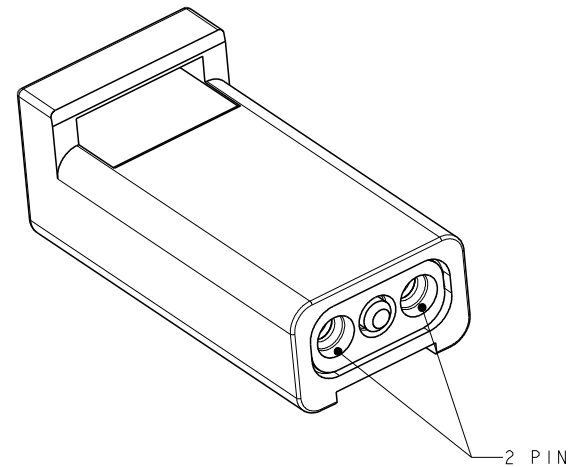
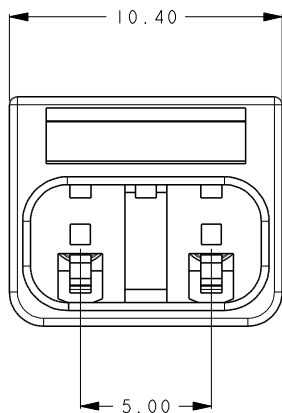
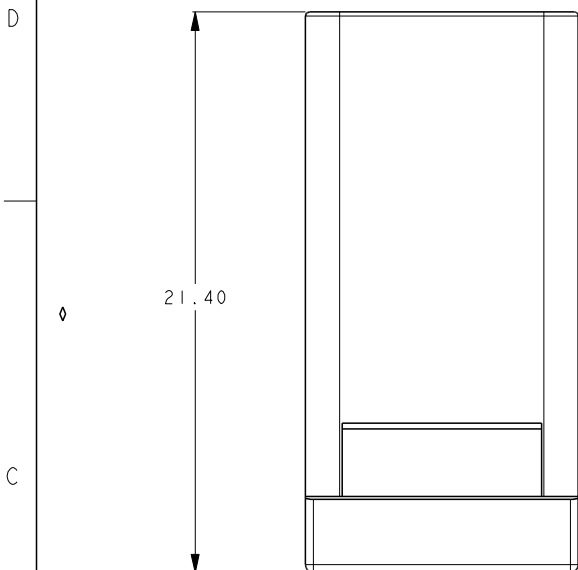
© COPYRIGHT 20

ALL RIGHTS RESERVED.

ES

REVISIONS

P	LTR	DESCRIPTION	DATE	DWN	APVD
		SEE SHEET 1			



COLOR	NO OF POSN	PART NUMBER
GRAY	2	4-2834075-2
RED	2	3-2834075-2
BLACK	2	2-2834075-2
WHITE	2	1-2834075-2

- NOTES:
 1. MATERIAL:
 HOUSING: THERMOPLASTIC, UL94-V0.
 SEAL: RUBBER.
 2. PN: SEE TABLE
 3. PACKAGING: TRAY.
 4. PACKAGING SPEC: 107-137093.

THIS DRAWING IS A CONTROLLED DOCUMENT.		DWN 15 JULY 2016 ZHANG WEI	STE TE Connectivity	
DIMENSIONS: mm		CHK 15 JULY 2016 SHI MING		
TOLERANCES UNLESS OTHERWISE SPECIFIED: ± 0.5		APVD 15 JULY 2016 XU XIANG	NAME	
		PRODUCT SPEC 108-137093	RECEPTACLE MINIATURE WATERPROOF CONN.	
MATERIAL		FINISH	APPLICATION SPEC 114-137093	SIZE
			WEIGHT -	CAGE CODE A300779
			CUSTOMER DRAWING	DRAWING NO C=2834075
				RESTRICTED TO -
				SCALE 5:1
				SHEET 2 OF 4
				REV C

4

3

2

1

THIS DRAWING IS UNPUBLISHED.

RELEASED FOR PUBLICATION

20

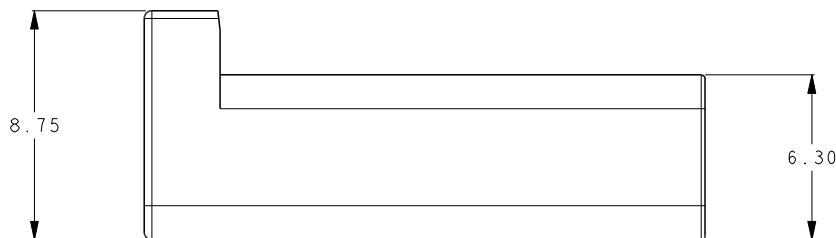
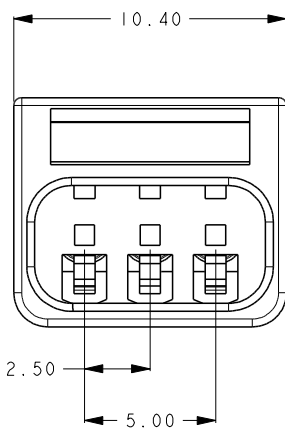
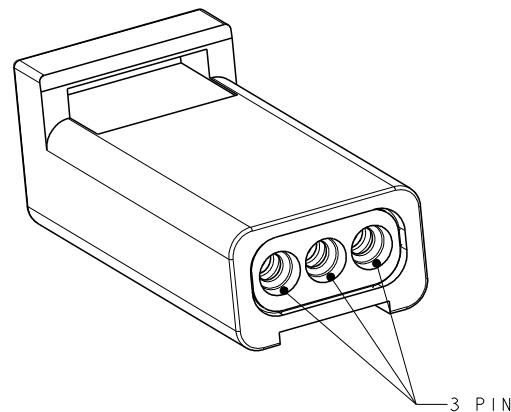
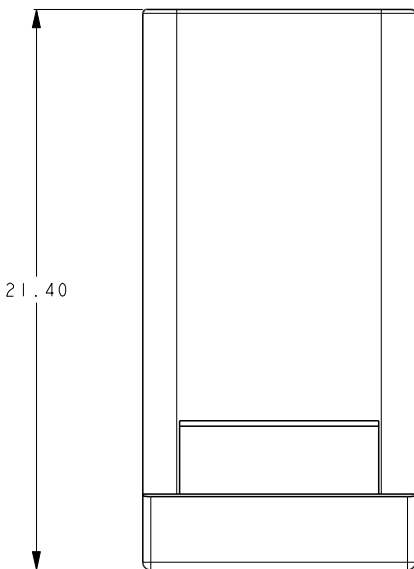
© COPYRIGHT 20

ALL RIGHTS RESERVED.

ES

REVISIONS

P	LTR	DESCRIPTION	DATE	DWN	APVD
		SEE SHEET 1			



GRAY	3	4-2834075-3
RED	3	3-2834075-3
BLACK	3	2-2834075-3
WHITE	3	1-2834075-3
COLOR	NO OF POSN	PART NUMBER

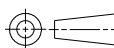
NOTES:

- MATERIAL: HOUSING: THERMOPLASTIC, UL94-V0. SEAL: RUBBER.
- PN: SEE TABLE
- PACKAGING: TRAY.
- PACKAGING SPEC: 107-137093.

THIS DRAWING IS A CONTROLLED DOCUMENT.

DIMENSIONS:
mm

TOLERANCES UNLESS OTHERWISE SPECIFIED:
± 0.5



- Ø - PLC ±
- 1 - PLC ±
- 2 - PLC ±
- 3 - PLC ±
- 4 - PLC ±
- ANGLES ±5°

MATERIAL



FINISH

-

DWN 15 JULY 2016

ZHANG WEI

CHK 15 JULY 2016

SHI MING

APVD 15 JULY 2016

XU XIANG

PRODUCT SPEC

108-137093

APPLICATION SPEC

114-137093

WEIGHT -

CUSTOMER DRAWING



TE Connectivity

RECEPTACLE
MINIATURE WATERPROOF CONN.

SIZE CAGE CODE DRAWING NO RESTRICTED TO

A300779 C=2834075 -

SCALE 5:1 SHEET 3 OF 4 REV C

THIS DRAWING IS UNPUBLISHED.

RELEASED FOR PUBLICATION

20

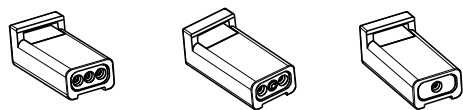
© COPYRIGHT 20

ALL RIGHTS RESERVED.

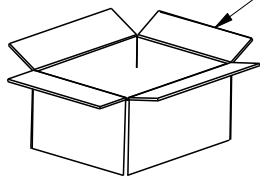
ES

REVISIONS

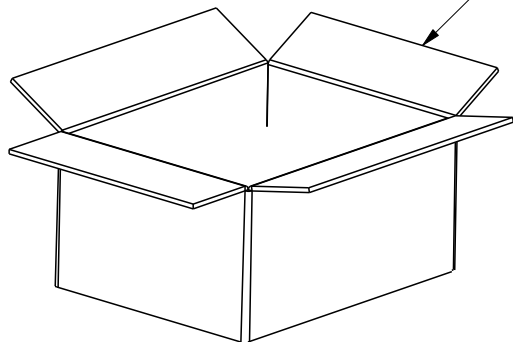
P	LTR	DESCRIPTION	DATE	DWN	APVD
		SEE SHEET 1			



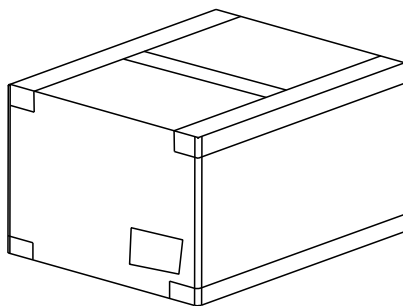
TRAY



INNER CARTON



OUTER CARTON



- NOTE:
- 1. PUT PARTS IN THE TRAY.
 - 2. PUT 5 PACKED TRAYS INTO ONE INNER CARTON. PUT 4 INNER CARTONS INTO ONE OUTER CARTON. TOTAL 20 PACKED TRAYS.
 - 3. SEAL THE CARTON
 - 4. PACKAGING QUANTITY: SEE TABLE.
 - 5. PACKAGING SPEC : 107-137093.

©

PART NUMBER	PARTS PER TRAY	TRAYS PER INNER CARTON	PARTS PER INNER CARTON	TRAYS PER OUTER CARTON	PARTS PER OUTER CARTON
1-2834075-1	288 PCS	5	1440 PCS	20	5760 PCS
2-2834075-1	288 PCS	5	1440 PCS	20	5760 PCS
3-2834075-1	288 PCS	5	1440 PCS	20	5760 PCS
4-2834075-1	288 PCS	5	1440 PCS	20	5760 PCS
1-2834075-2	288 PCS	5	1440 PCS	20	5760 PCS
2-2834075-2	288 PCS	5	1440 PCS	20	5760 PCS
3-2834075-2	288 PCS	5	1440 PCS	20	5760 PCS
4-2834075-2	288 PCS	5	1440 PCS	20	5760 PCS
1-2834075-3	288 PCS	5	1440 PCS	20	5760 PCS
2-2834075-3	288 PCS	5	1440 PCS	20	5760 PCS
3-2834075-3	288 PCS	5	1440 PCS	20	5760 PCS
4-2834075-3	288 PCS	5	1440 PCS	20	5760 PCS

THIS DRAWING IS A CONTROLLED DOCUMENT.

DIMENSIONS:
mm



TOLERANCES UNLESS OTHERWISE SPECIFIED:
± 0.5

- 0-PLC ±
- 1-PLC ±
- 2-PLC ±
- 3-PLC ±
- 4-PLC ±
- ANGLES ±5°

MATERIAL

FINISH

DWN	15JULY2016
CHK	ZHANG WEI
CHK	15JULY2016
CHK	SHI MING
APVD	15JULY2016
APVD	XU XIANG
PRODUCT SPEC	108-137093
APPLICATION SPEC	114-137093
WEIGHT	-
CUSTOMER DRAWING	



TE Connectivity

RECEPTACLE
MINIATURE WATERPROOF CONNECTOR

NAME	SIZE	CAGE CODE	DRAWING NO	RESTRICTED TO
	A300779		©=2834074	-
SCALE 5:1			SHEET 4 OF 4	REV C

X-ON Electronics

Largest Supplier of Electrical and Electronic Components

Click to view similar products for [Modular Connectors / Ethernet Connectors](#) category:

Click to view products by [TE Connectivity](#) manufacturer:

Other Similar products are found below :

[8949-H88/06BLKA/SN](#) [74441-0010/BKN](#) [MP1010RX-1000](#) [MP44RX-1000](#) [PHJ-4P4C-1-V-4](#) [PHP-6P6C-5](#) [GAX-3-66](#) [GAX-8-62](#) [GDCX-PA-66-50](#) [GDCX-PN-64](#) [GDCX-PN-66](#) [GDCX-PN-66-50](#) [GDLX-A-66](#) [GDLX-N-66](#) [GDLX-S-66](#) [GDLX-S-88K](#) [GDTX-S-88-50](#) [GDX-PA-1010](#) [GLX-N-1010M-BLK](#) [GLX-S-88M-BLK](#) [GMX-N-1010](#) [GMX-S-1010](#) [GMX-S-66](#) [GMX-SMT4-N-88](#) [GPX-2-64](#) [GSGX-N-2-88](#) [GSGX-N-4-88](#) [GSX-NS2-88-3.05](#) [GSX-NS2-88-3.05-50](#) [GSX-NS-88-3.05-50](#) [PT-108A-8C-UL](#) [PT-J951-8C](#) [PTS-J531-8CS-50UL](#) [1-1775629-2](#) [A-2014-0-4](#) [GWLX-S-88-GR](#) [GWLX-S9-88-YG](#) [DC-1021-8-WH-6](#) [1300530003](#) [1324640-4](#) [RJ11FTVC2G](#) [RJ11FTVC2N](#) [RJFTVX2SA1G](#) [132764-001](#) [1413235](#) [MP88X-1000](#) [MPS88RX-5000](#) [E5288-S000K3-L](#) [E5908-15A242-L](#) [155302-001](#)