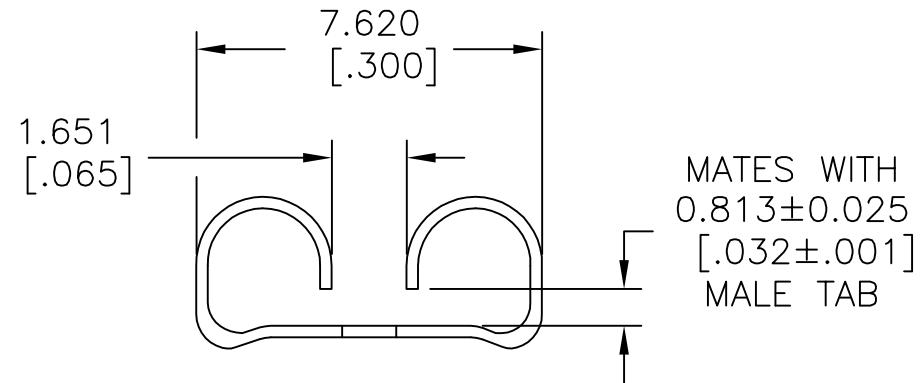
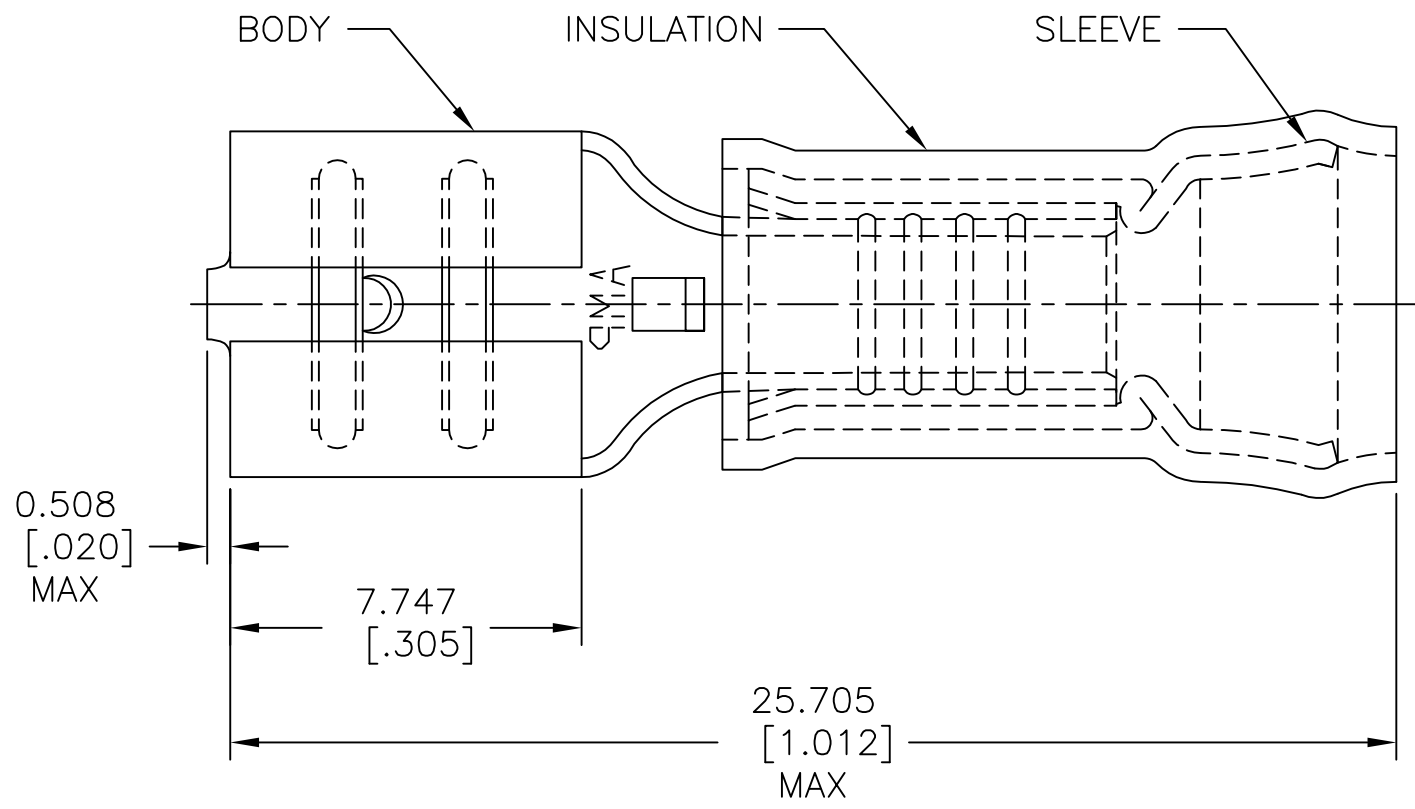


THIS DRAWING IS UNPUBLISHED. RELEASED FOR PUBLICATION
 © COPYRIGHT - By - ALL RIGHTS RESERVED.

REVISIONS					
P	LTR	DESCRIPTION	DATE	DWN	APVD
	Z1	REVISED PER ECO-11-004820	11MAR11	RK	HMR
	Z2	REVISED PER ECO-17-018182	12DEC2017	RS	DR



- 1 FOR $\phi 6.350[\phi .250]$ MAX INSULATION.
- 2 MAX WIRE LIMITED TO $3.278\text{mm}^2 [6,470]$ CMA.

BRASS MIL-C-50	100	LOOSE PIECE,BOX	8-42844-1
BRASS MIL-C-50	2500	ON TAPE, REEL	42844-3
PHOS BRONZE QQ-B-750	500	LOOSE PIECE	42844-2
BRASS MIL-C-50	500	LOOSE PIECE	42844-1
BODY MATERIAL	QTY	PACKAGE TYPE	PART NO

AMP INCORPORATED CUSTOMER SERVICE SYSTEM		MAX RECOMMENDED OPERATING TEMPERATURE: -	THIS DRAWING IS A CONTROLLED DOCUMENT.		DWN L OLMEDA 26JUN95	TE Connectivity RECEPTACLE, 250 SERIES, FASTON™, PIDG™, WIRE SIZE: 14-12 AWG			
FOR ADDITIONAL PRODUCT INFORMATION OR COPIES OF DRAWINGS AND TECHNICAL DOCUMENTS	PRODUCT INFORMATION CENTER 1-800-522-6752	VOLTAGE RATING: -	DIMENSIONS: mm [INCHES]	TOLERANCES UNLESS OTHERWISE SPECIFIED:	CHK M ELLIS 26JUN95				
FOR APPLICATION TOOLING INFORMATION	TOOLING ASSISTANCE CENTER 1-800-722-1111	CIRCULAR MIL AREA: -		0 PLC ± - 1 PLC ± - 2 PLC ± - 3 PLC ± 0.127[.005] 4 PLC ± - ANGLES ± -	APVD B BARE 26JUN95	APPLICATION SPEC			
FOR ORDER ENTRY	1-800-526-5142			MATERIAL BODY,SEE TABLE INSUL,NYLON,COLOR,GREEN	FINISH BODY,TIN PLATE PER ASTM B545	PRODUCT SPEC	SIZE	CAGE CODE	DRAWING NO
					WEIGHT	A3 00779 C-42844			
					CUSTOMER DRAWING		SCALE	SHEET	REV
							6:1	1 OF 1	Z2

X-ON Electronics

Largest Supplier of Electrical and Electronic Components

Click to view similar products for [Terminals](#) category:

Click to view products by [TE Connectivity](#) manufacturer:

Other Similar products are found below :

[00-054007-01074-6](#) [00-054007-70206-1](#) [00-054007-70210-8](#) [00-054007-70217-7](#) [00-054007-70226-9](#) [00-054007-70228-3](#) [00-054007-70248-1](#) [00-054007-70256-6](#) [00-054007-70301-3](#) [00-054007-70316-7](#) [0-0320562-0](#) [00-054007-49560-4](#) [00-054007-70209-2](#) [00-054007-70225-2](#) [00-054007-70227-6](#) [00-054007-70231-3](#) [00-054007-70241-2](#) [00-054007-70242-9](#) [00-054007-70244-3](#) [00-054007-70246-7](#) [00-054007-70263-4](#) [00-054007-70288-7](#) [00-054007-70290-0](#) [00-054007-70300-6](#) [00-054007-70304-4](#) [01-2065-1-0216](#) [01-2900-1-04412](#) [00581P0075](#) [600TS-10](#) [60205-1](#) [604200-1](#) [605601-1](#) [60598-1-CUT-TAPE](#) [61314-6-C](#) [61810-3](#) [61-S](#) [61-SN](#) [626-0194](#) [62-NBM-A](#) [62-SN](#) [62-SP](#) [63-S](#) [640179-1](#) [M55155/059I03](#) [M55155/079C01](#) [M55155/099H02](#) [M55155/109H01](#) [M55155/109H02](#) [M55155/12XH05](#) [M55155/16XH02](#)