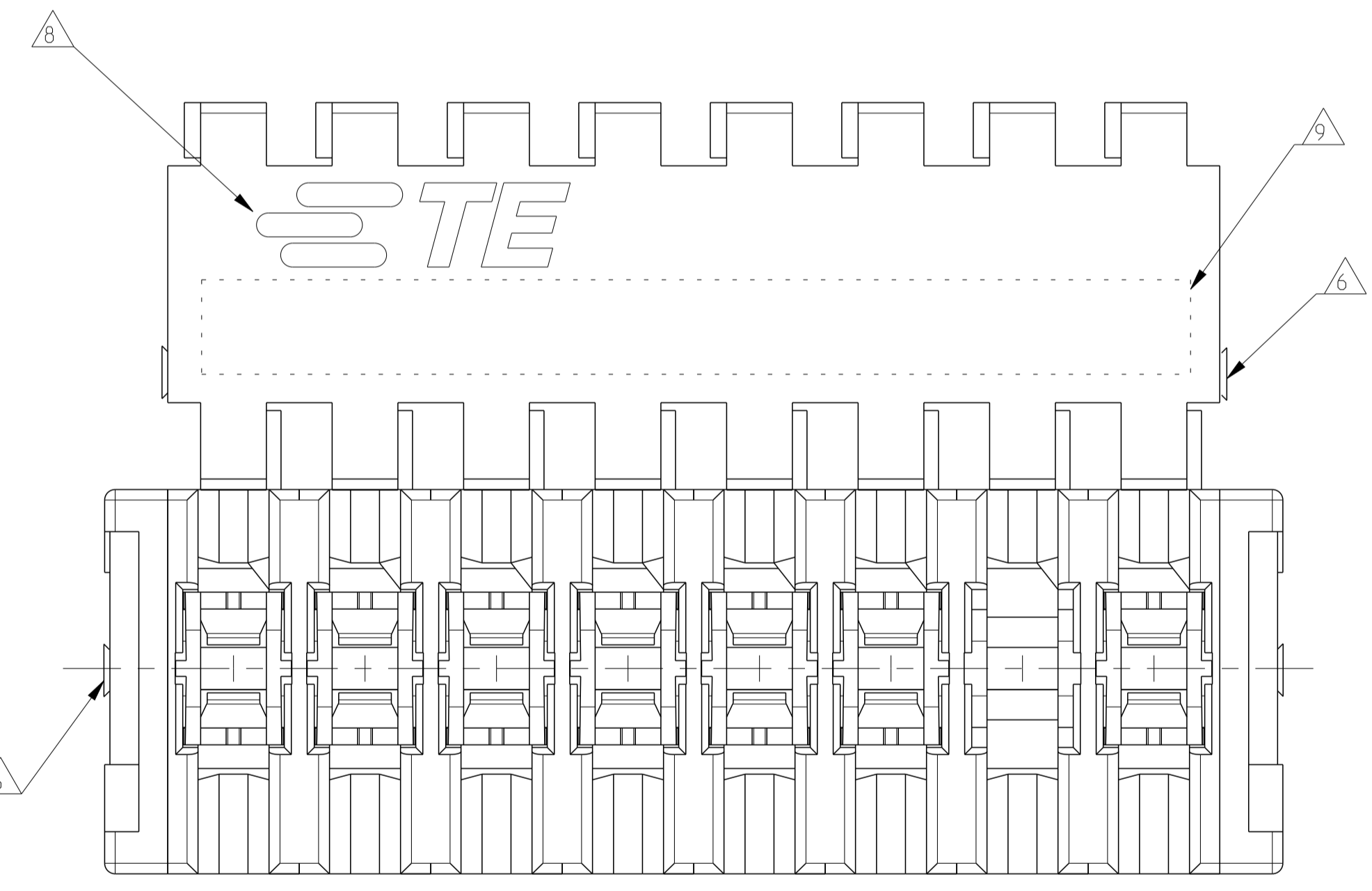
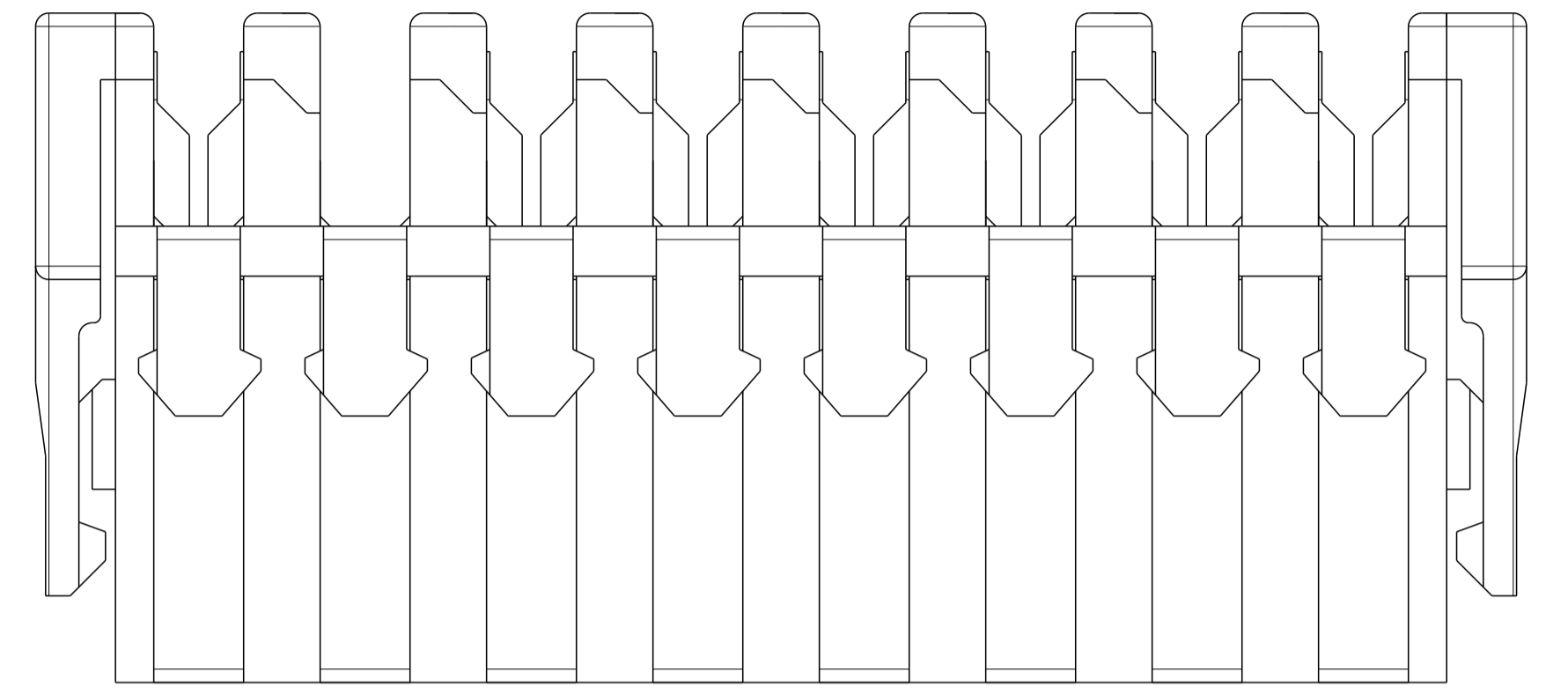
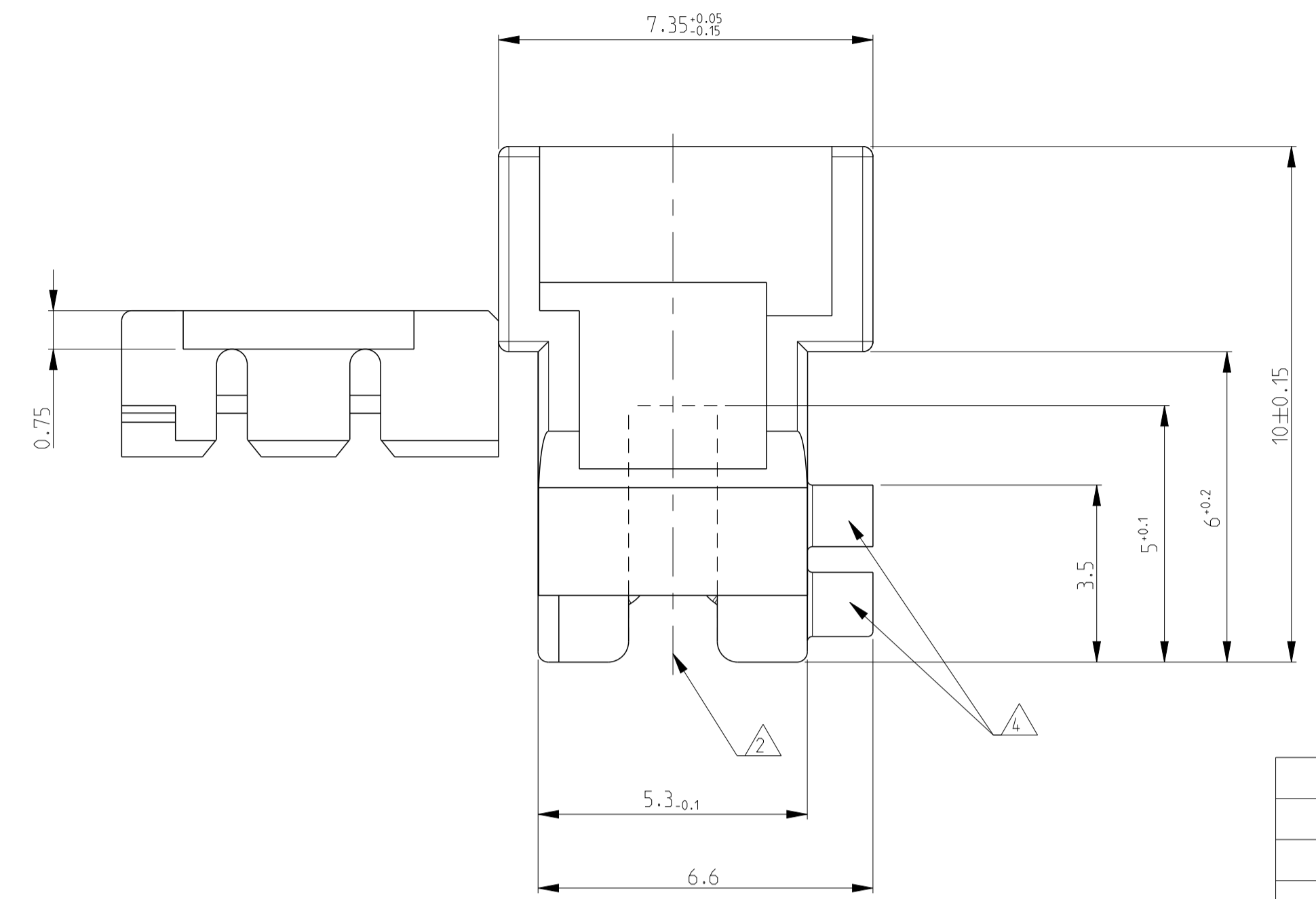
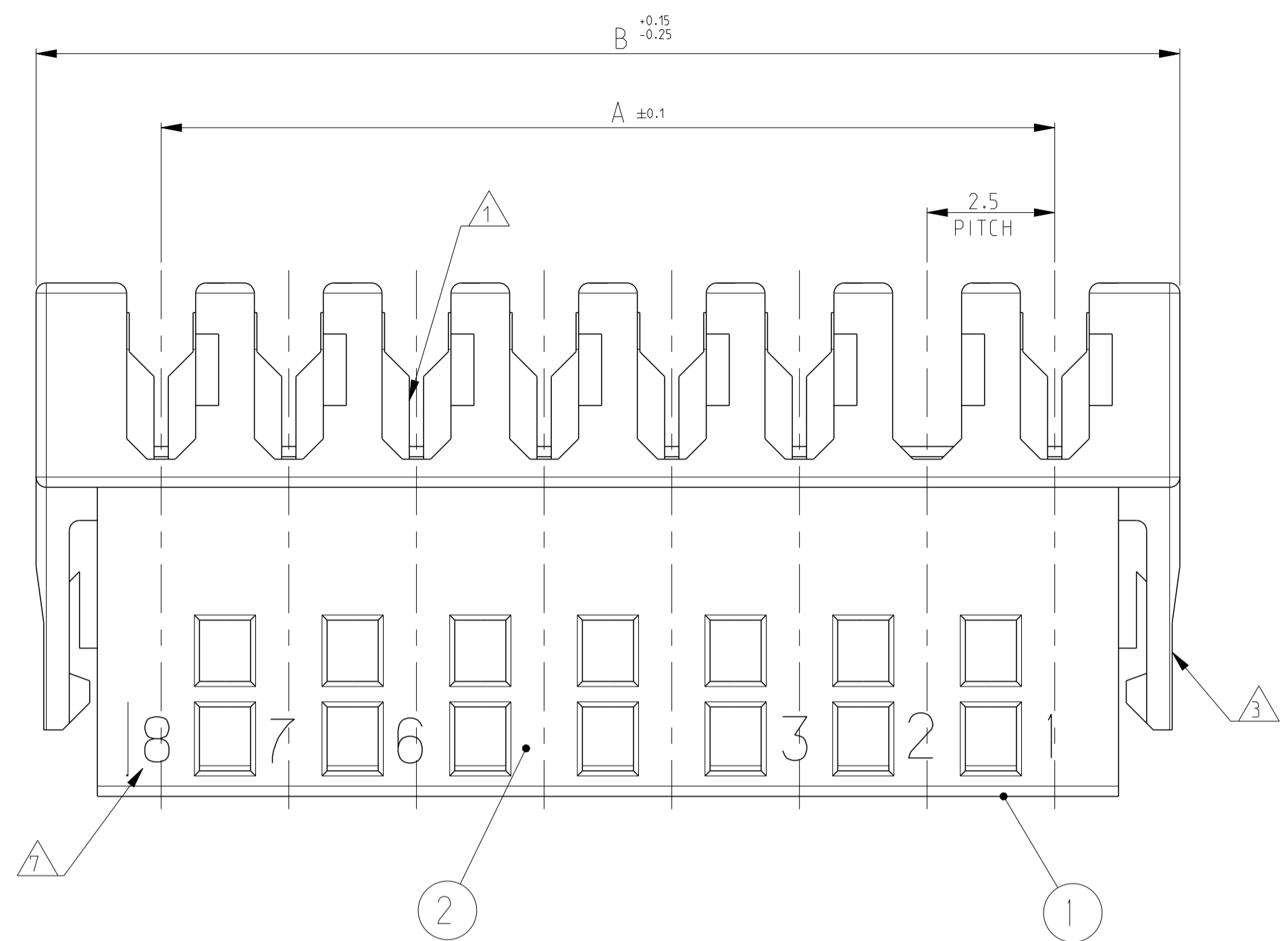
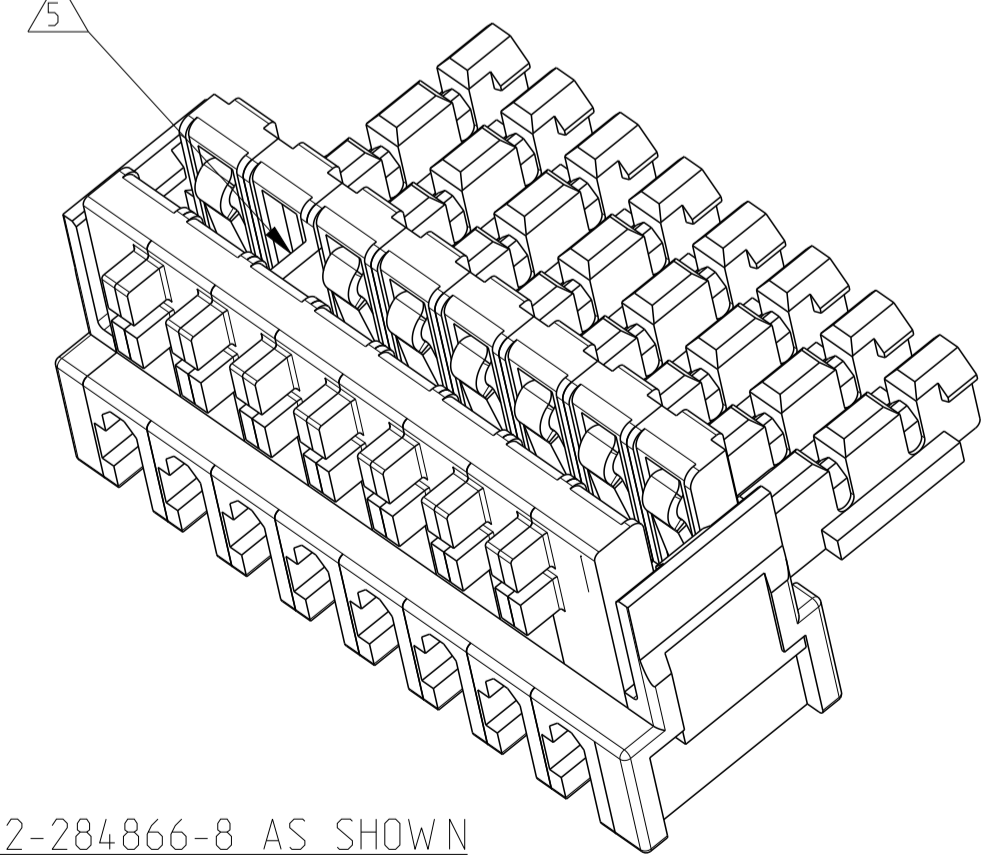


| REVISIONS | | | | |
|-----------|------|---------------|-----------|-------|
| P. | LTN. | DESCRIPTION | DATE | APPV. |
| C2 | | ECR-20-001662 | 12FEB2020 | LZ FL |



- 1 WIRE RANGE : STRANDED 0.22-0.35 mm² (INS. DIA. 1.30±0.1)
- 2 MATING PART: P.C.B. EDGE, DOUBLE SIDE, THK 1.5 (COPPER CLADDING INCLUDED)
- 3 SIDE LOCKING DEVICE
- 4 KEYING RIBS TO BE REMOVED BY TERMINATION MACHINE
- 5 POLARIZATION RIBS BETWEEN CAVITIES
- 6 CUT OFF DIMENSION DUE TO PRODUCTION PROCESS
- 7 CIRCUIT No. IDENTIFICATION
- 8 TE TRADEMARK (OPTIONAL POSITION)
- 9 TAMPOGRAPHIC COLOUR CODE AREA (P/Ns IDENTIFICATION BEFORE CRIMPING AREA)
- 10 FOR PCB LAYOUT, SEE SHEET 2
FOR CONNECTION VIEW LAYOUT, SEE SHEET 2
- 11 PRELIMINARY NOT YET RELEASED FOR PRODUCTION
- 12 PBT GF
- 13 PBT GF, UL94-V0 & GWEP7 750 NO-FLAME, NATURAL



P/N 2-284866-8 AS SHOWN

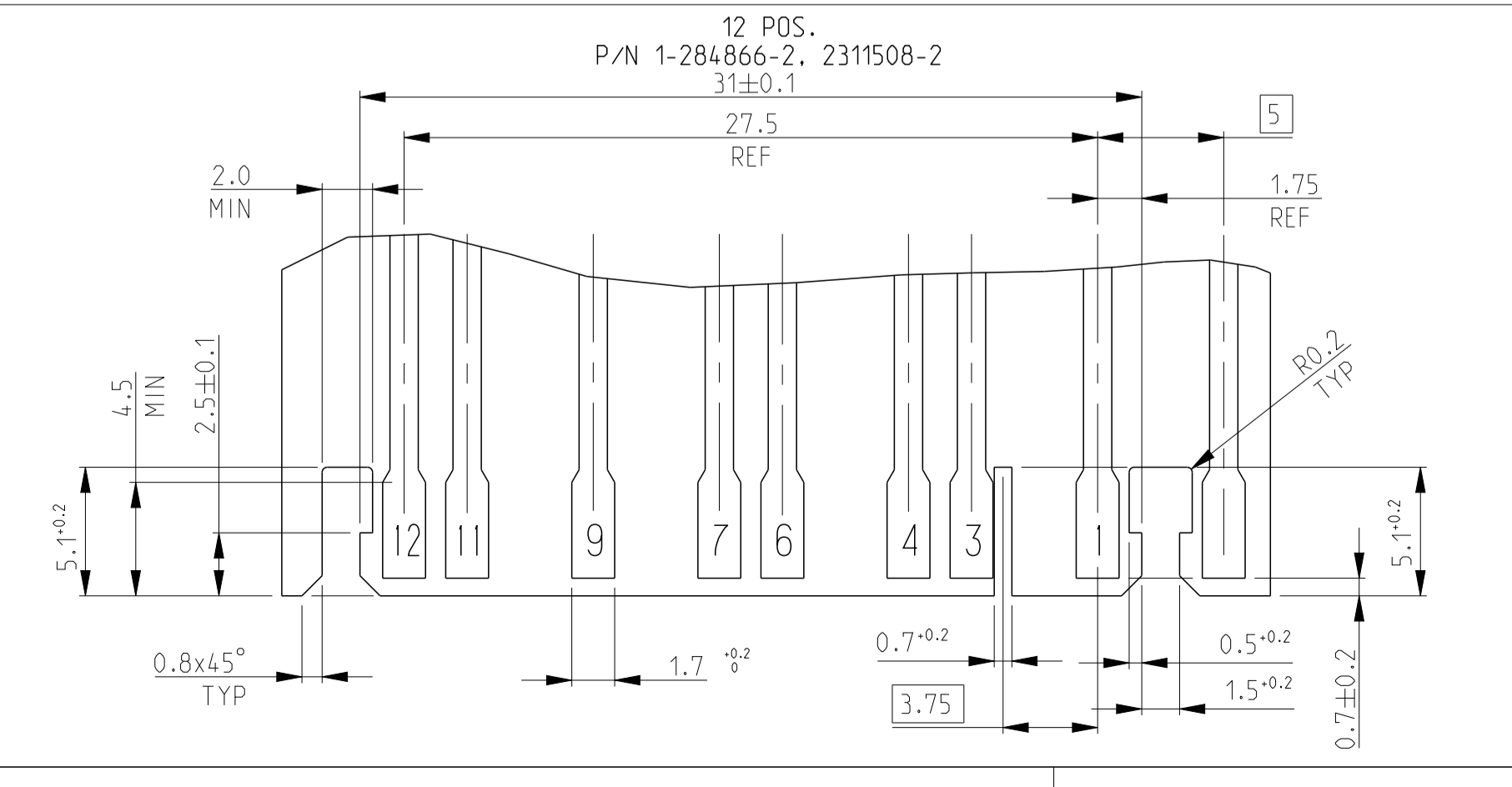
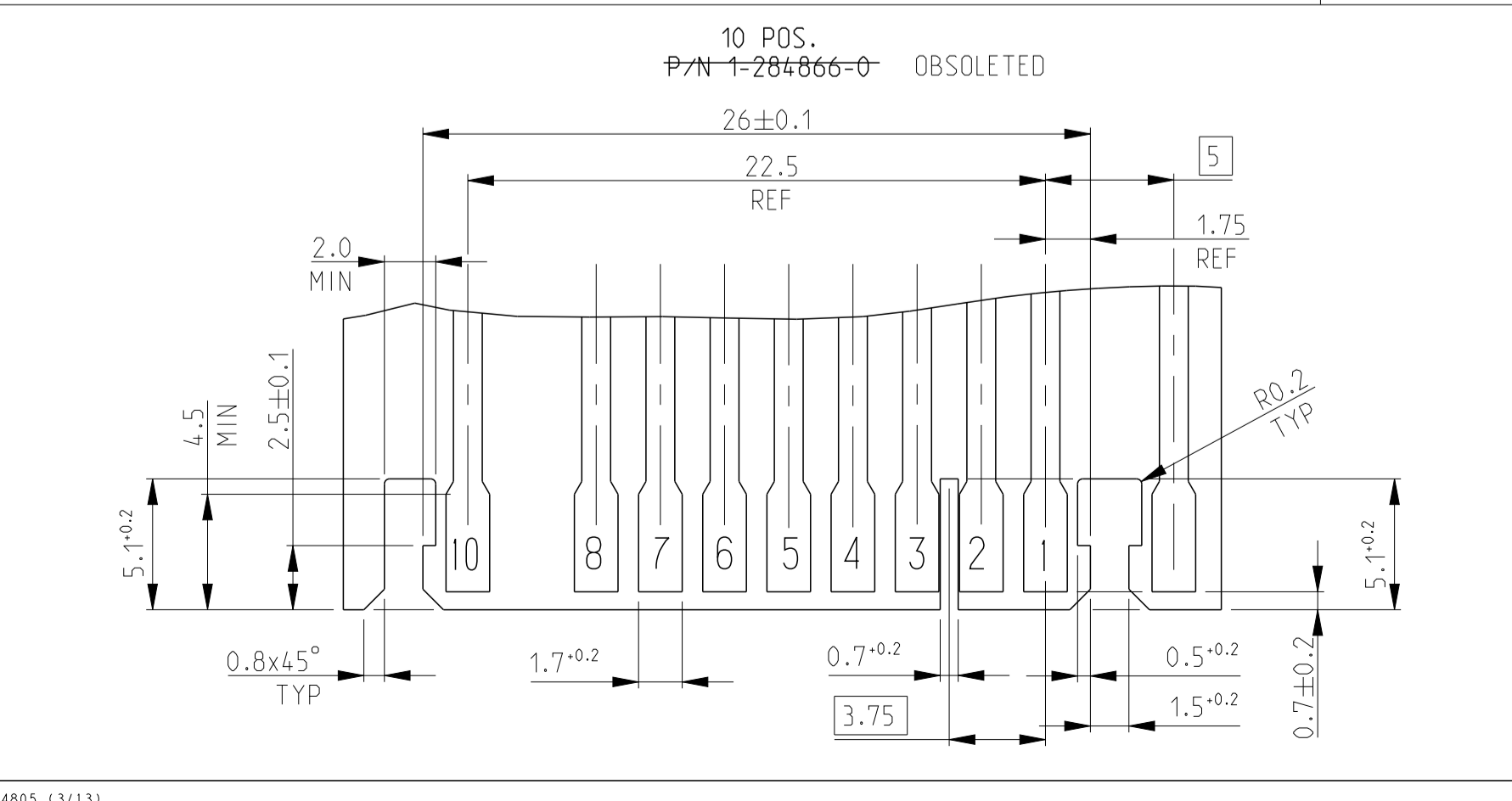
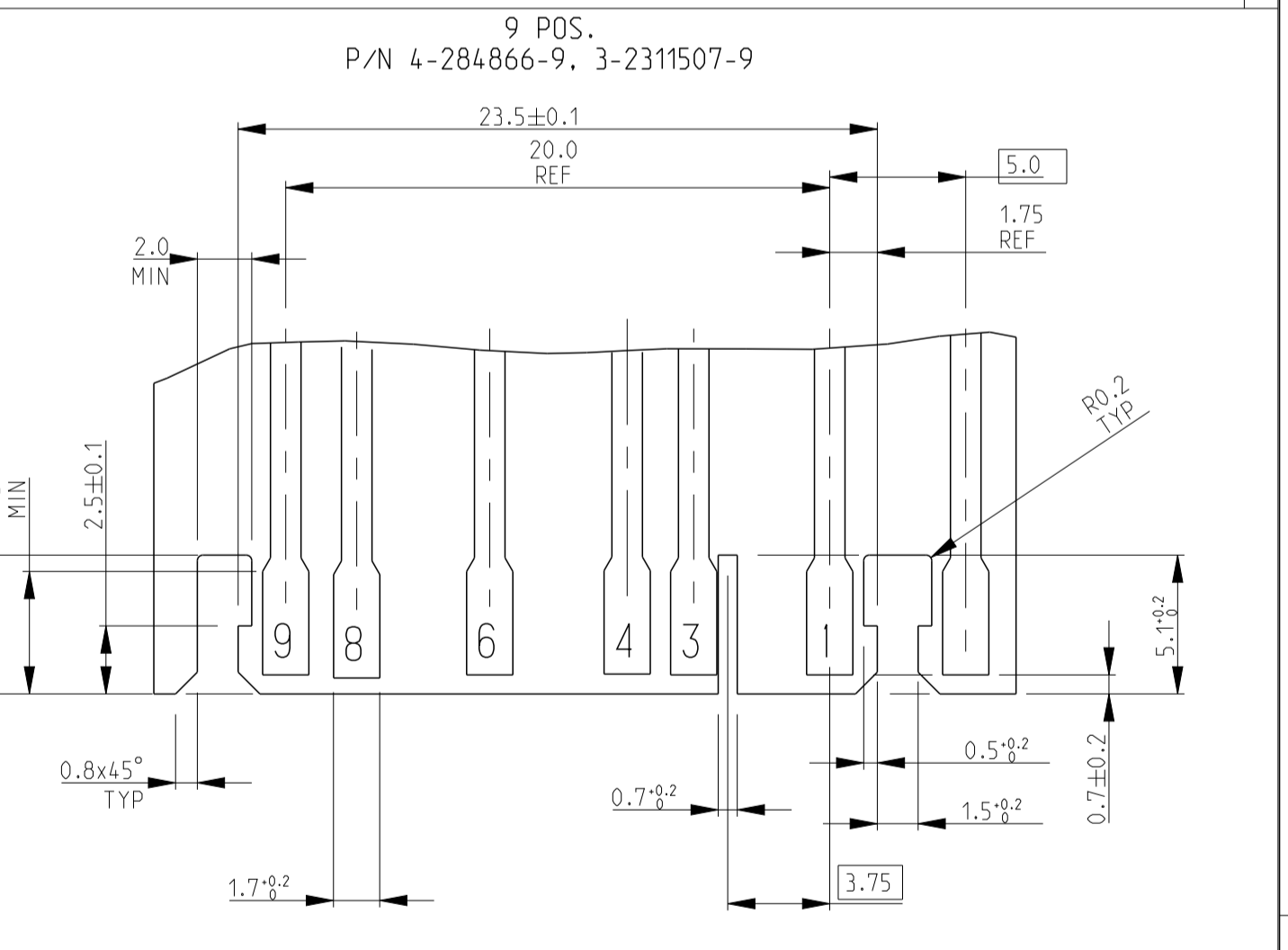
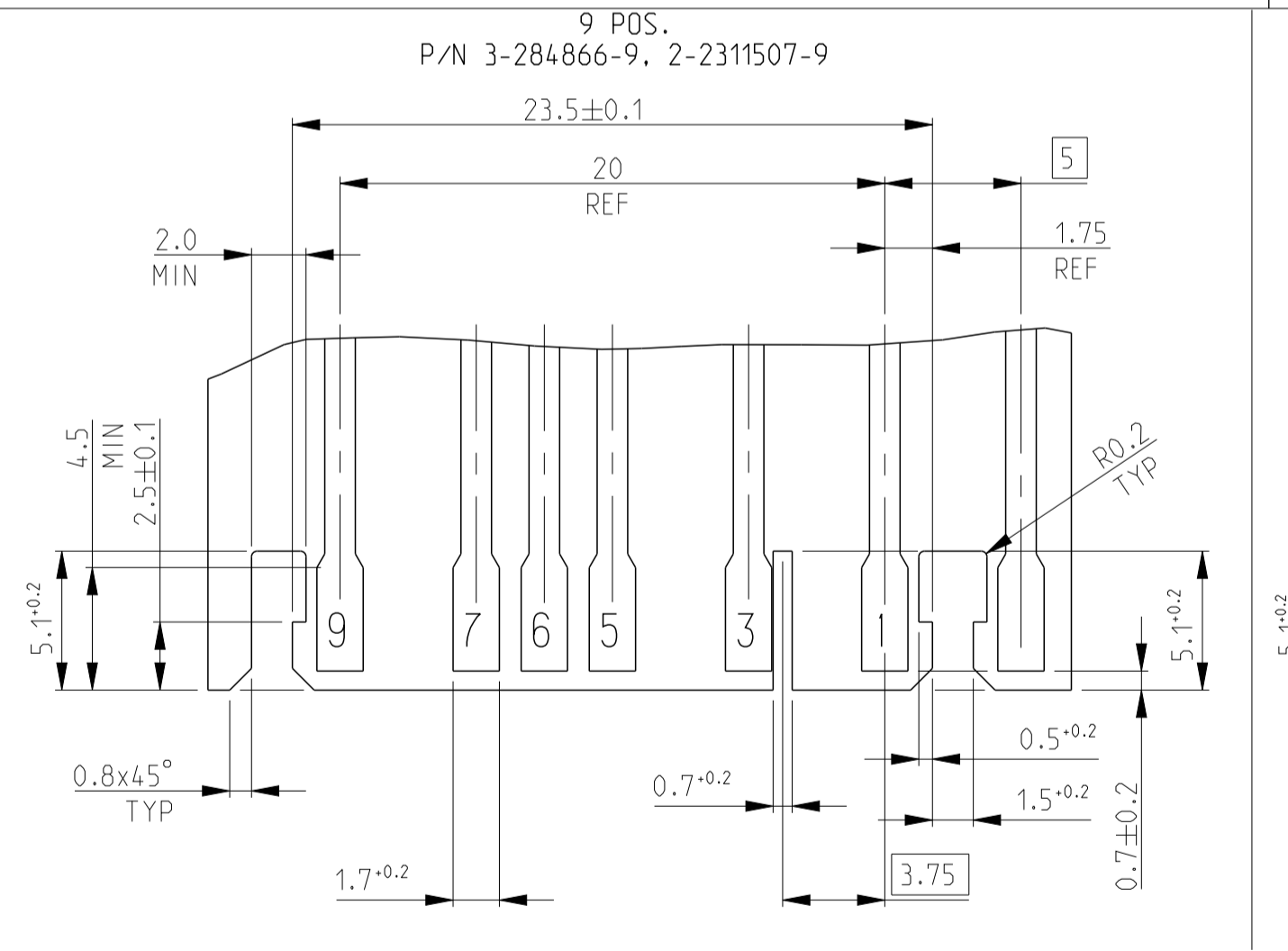
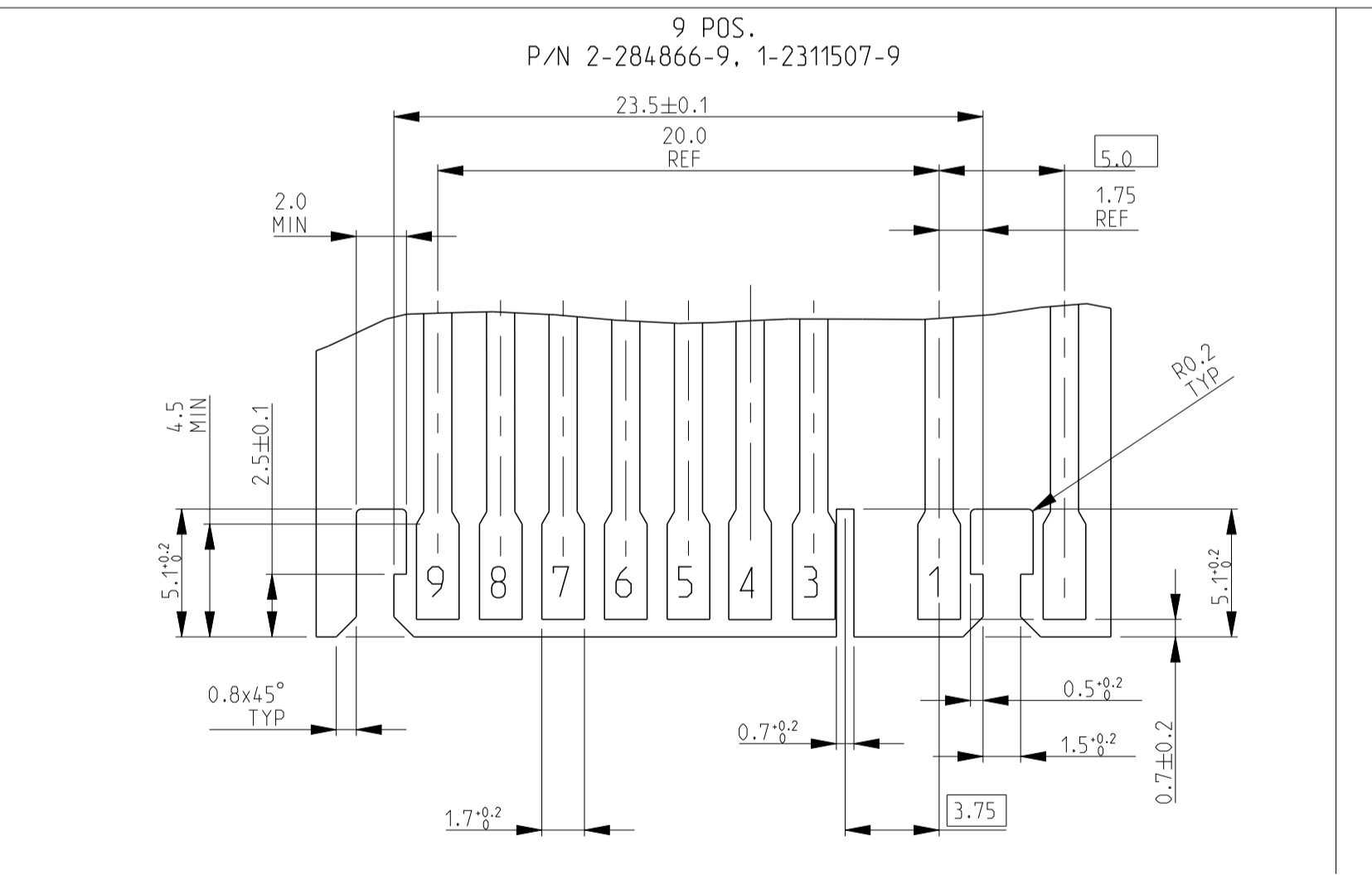
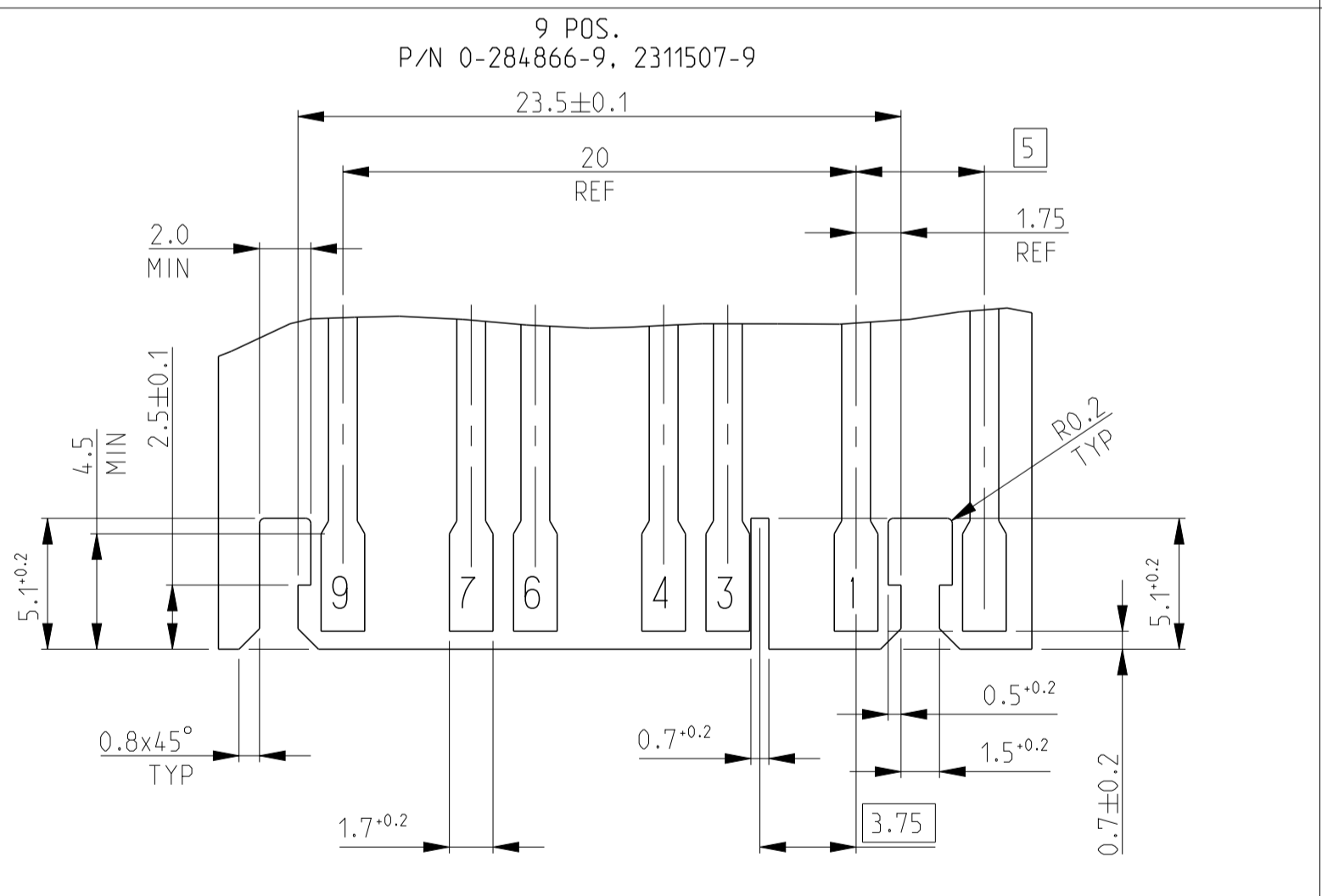
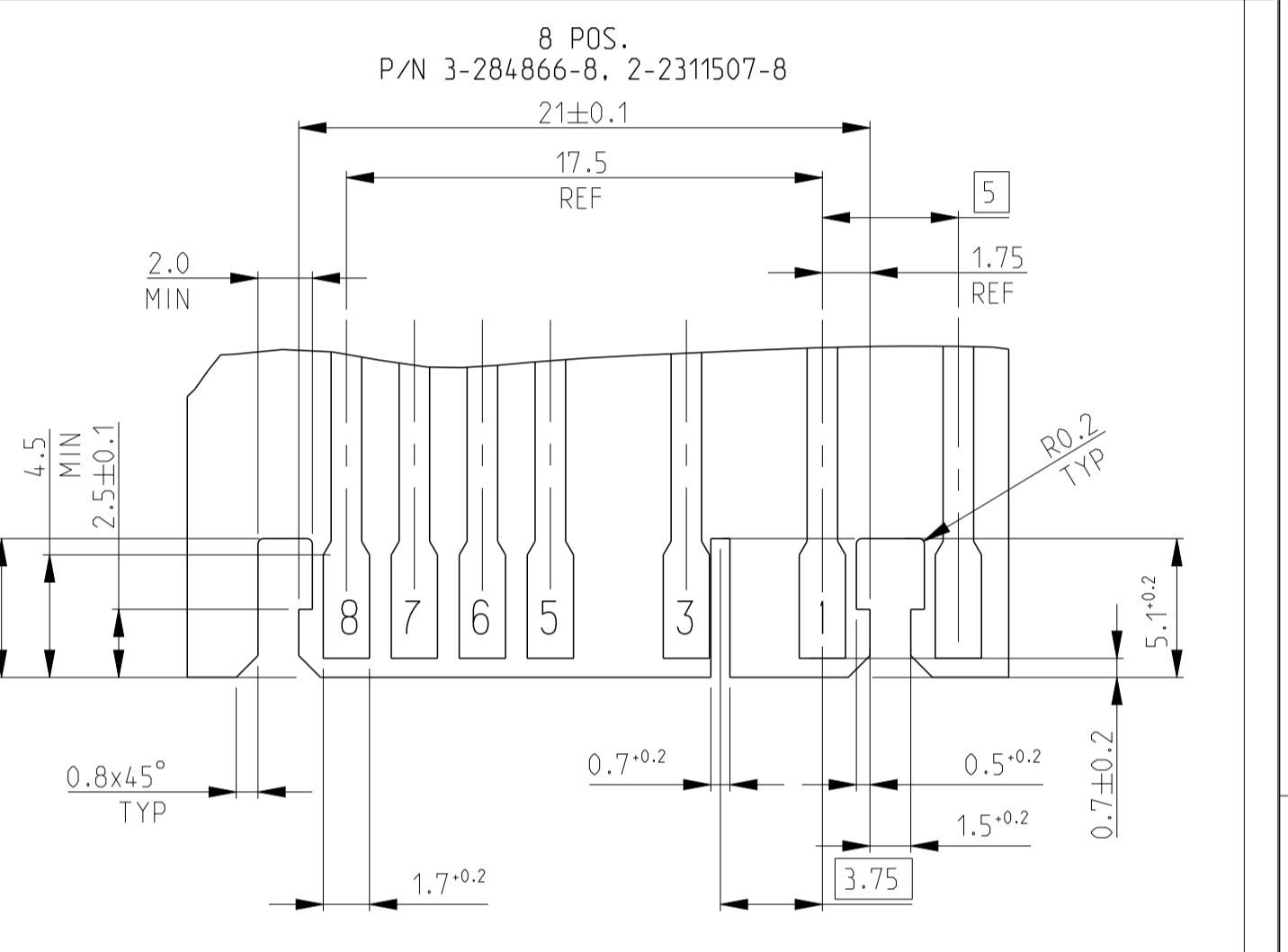
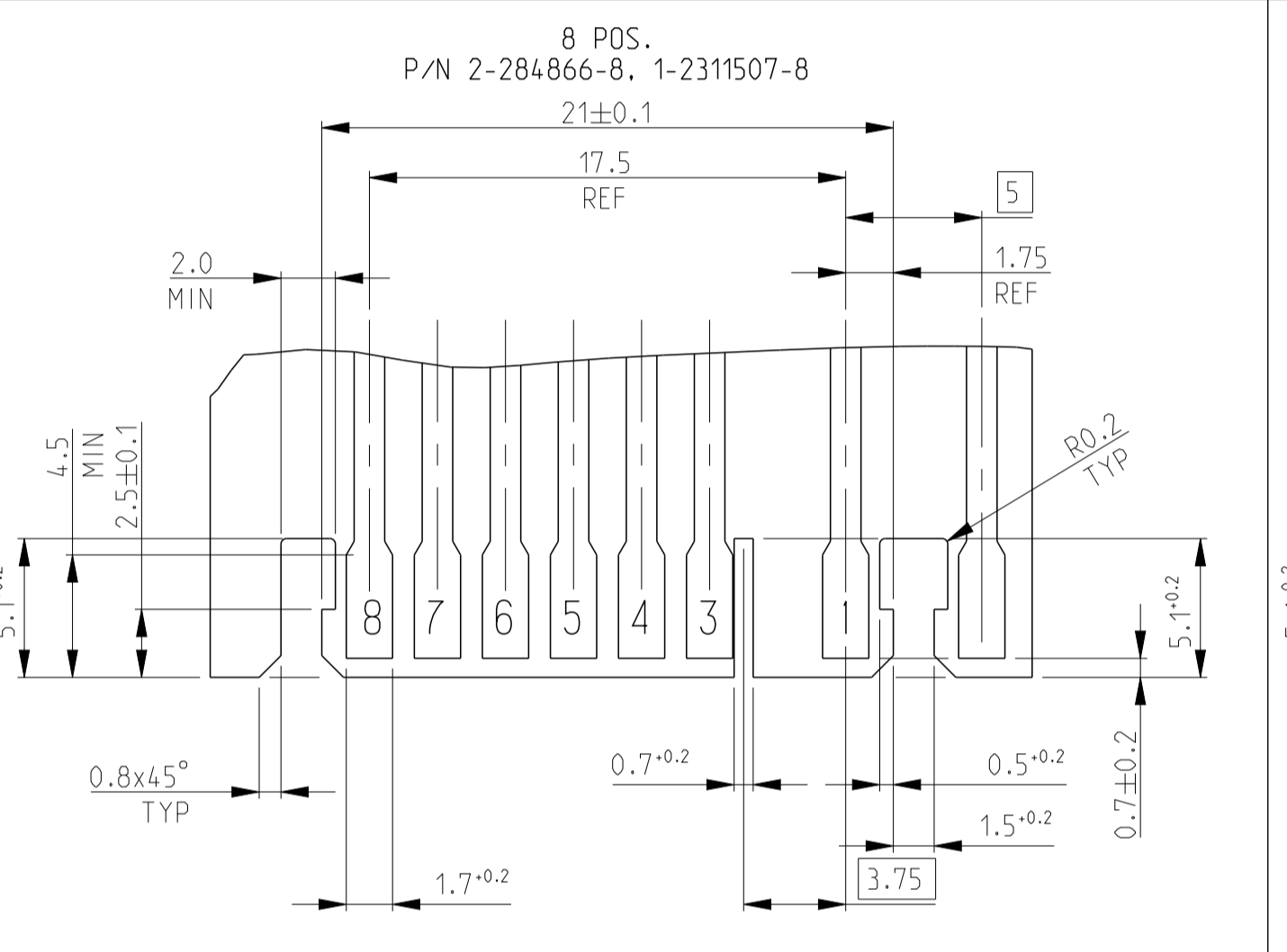
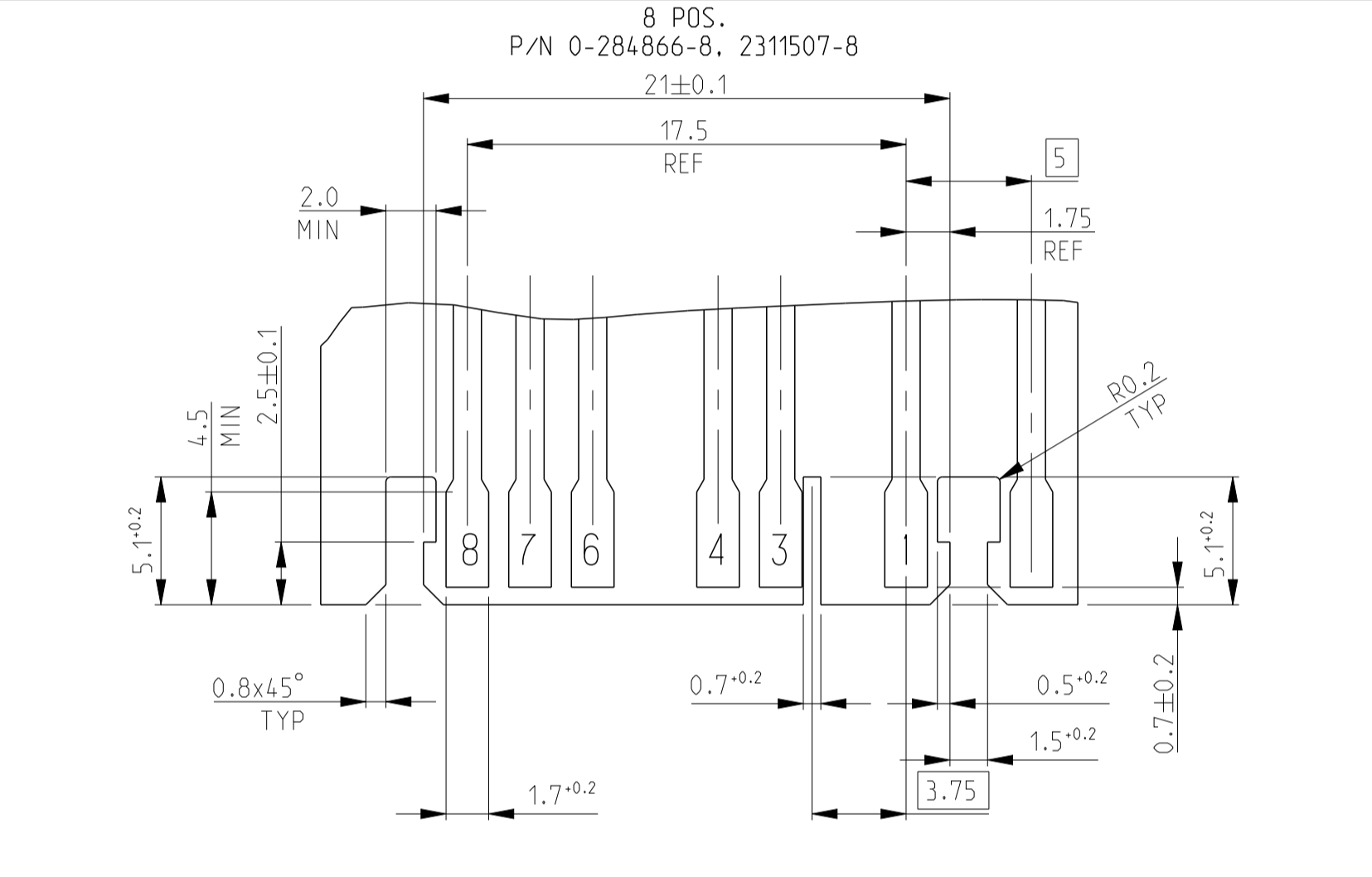
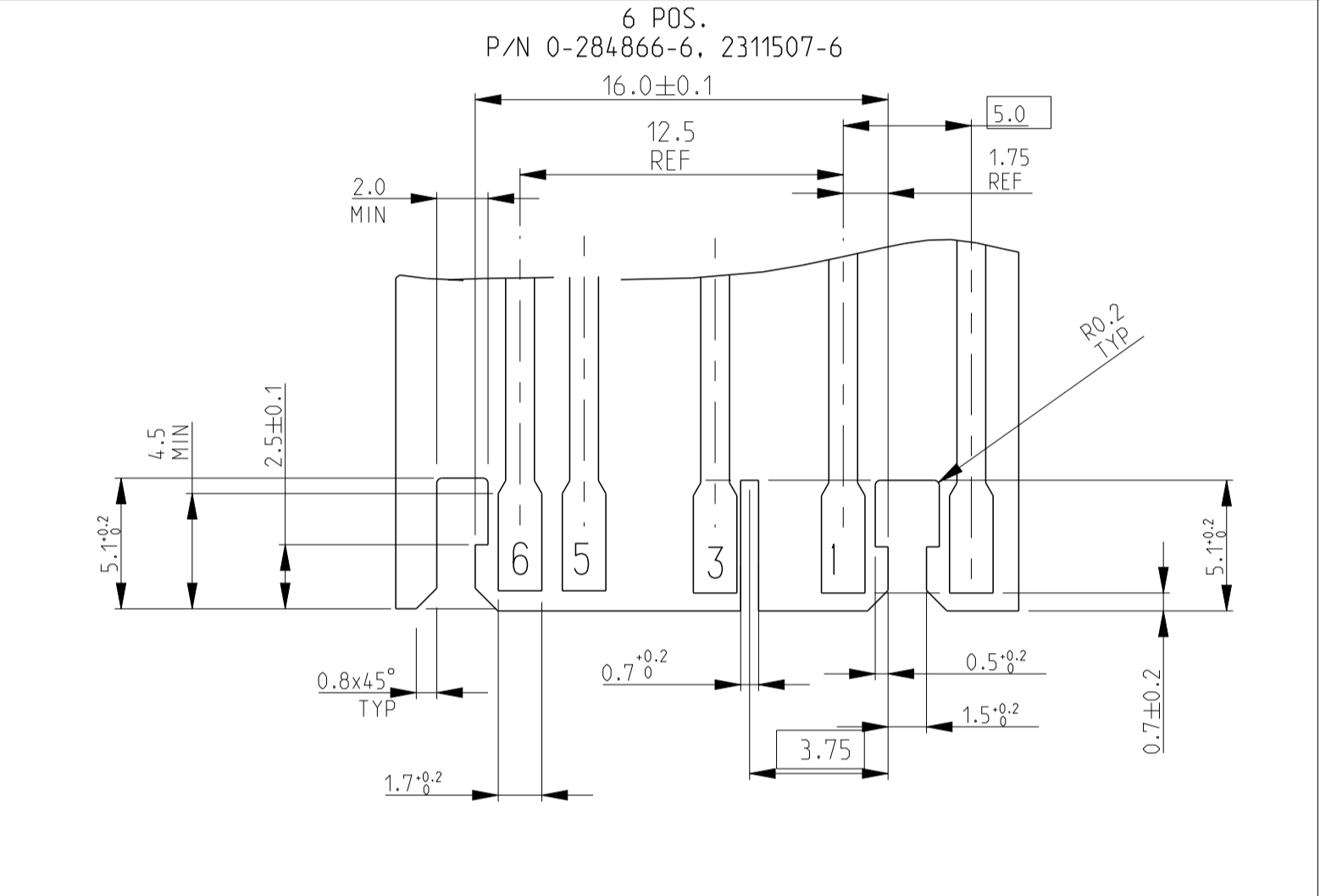
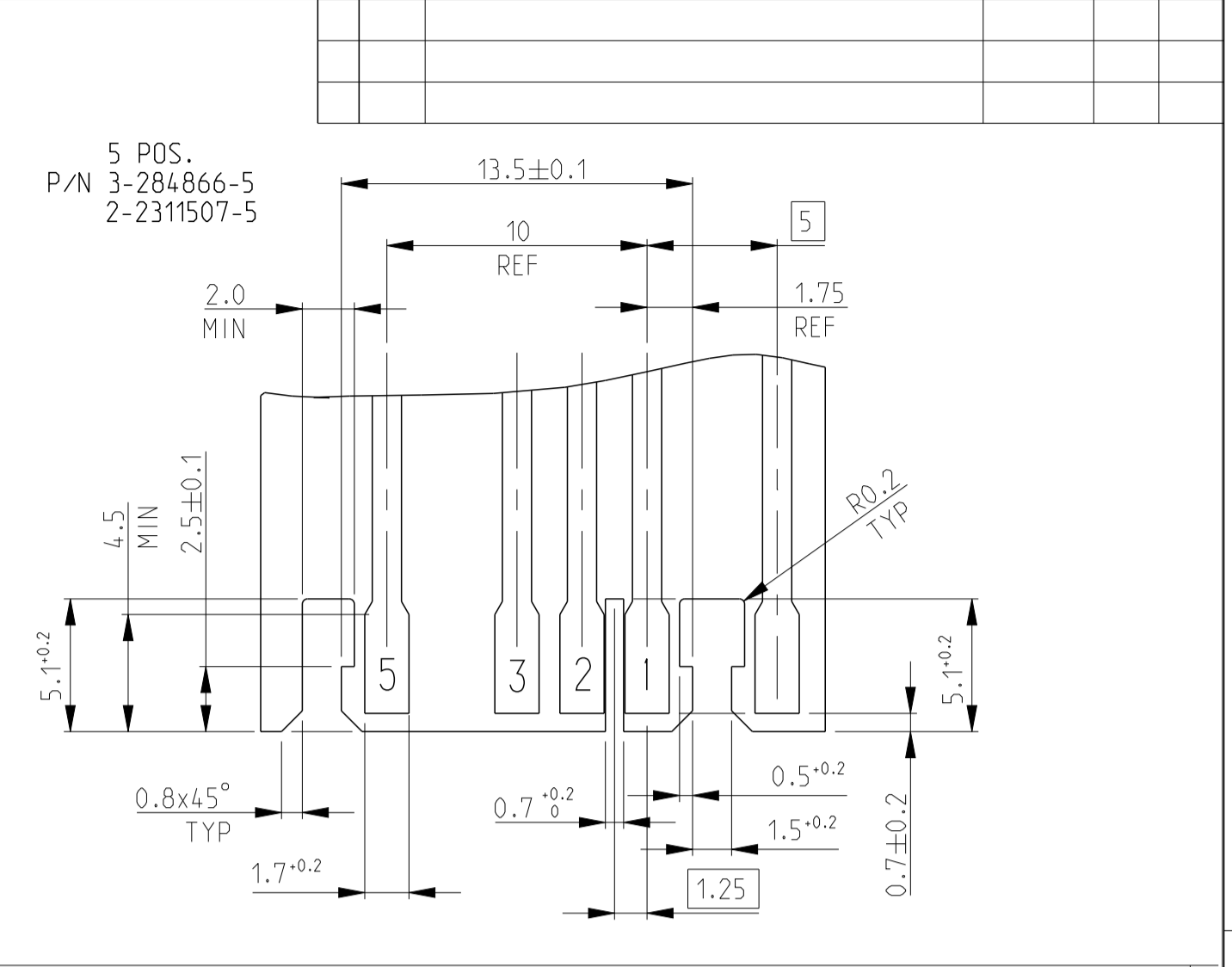
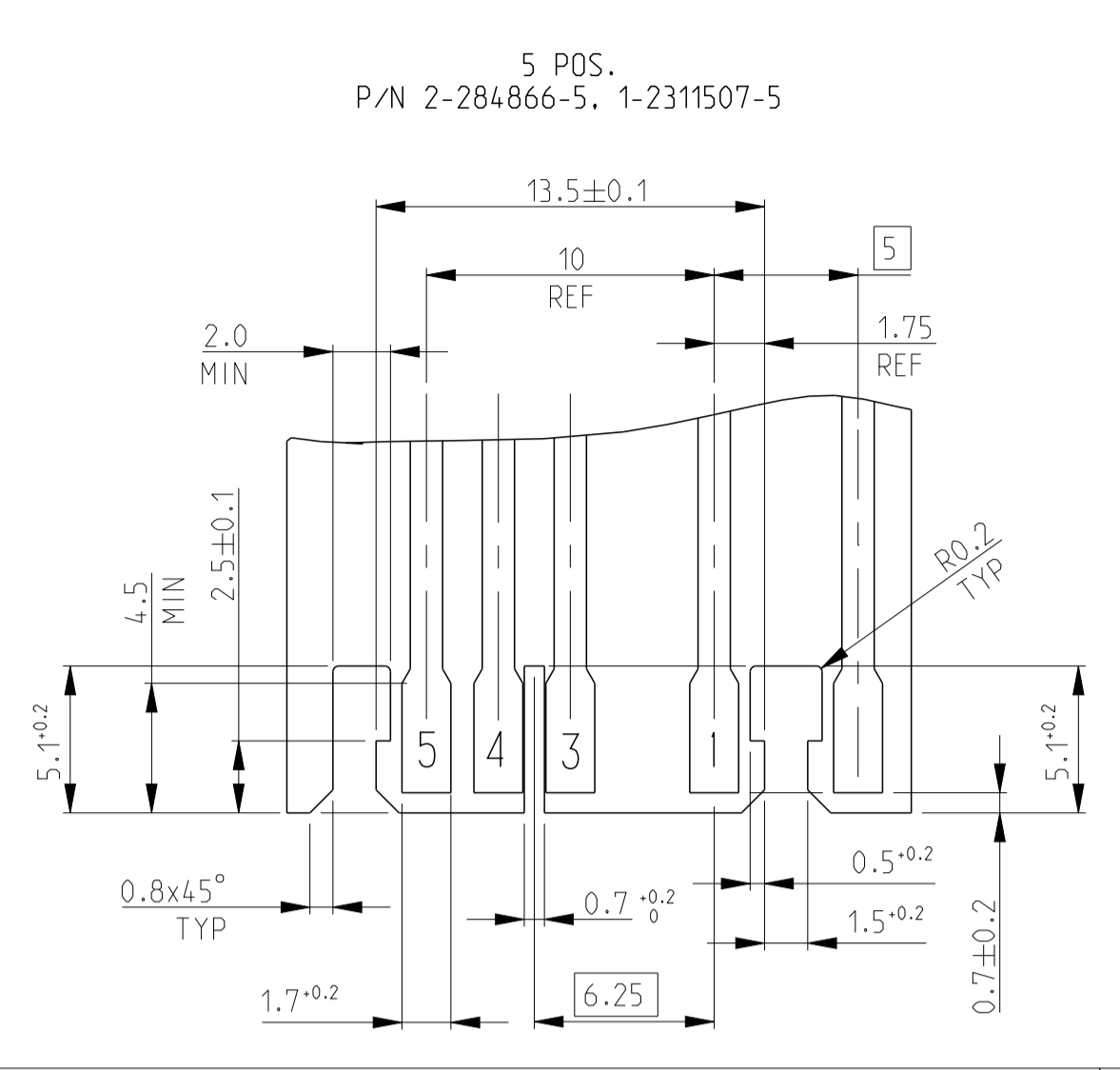
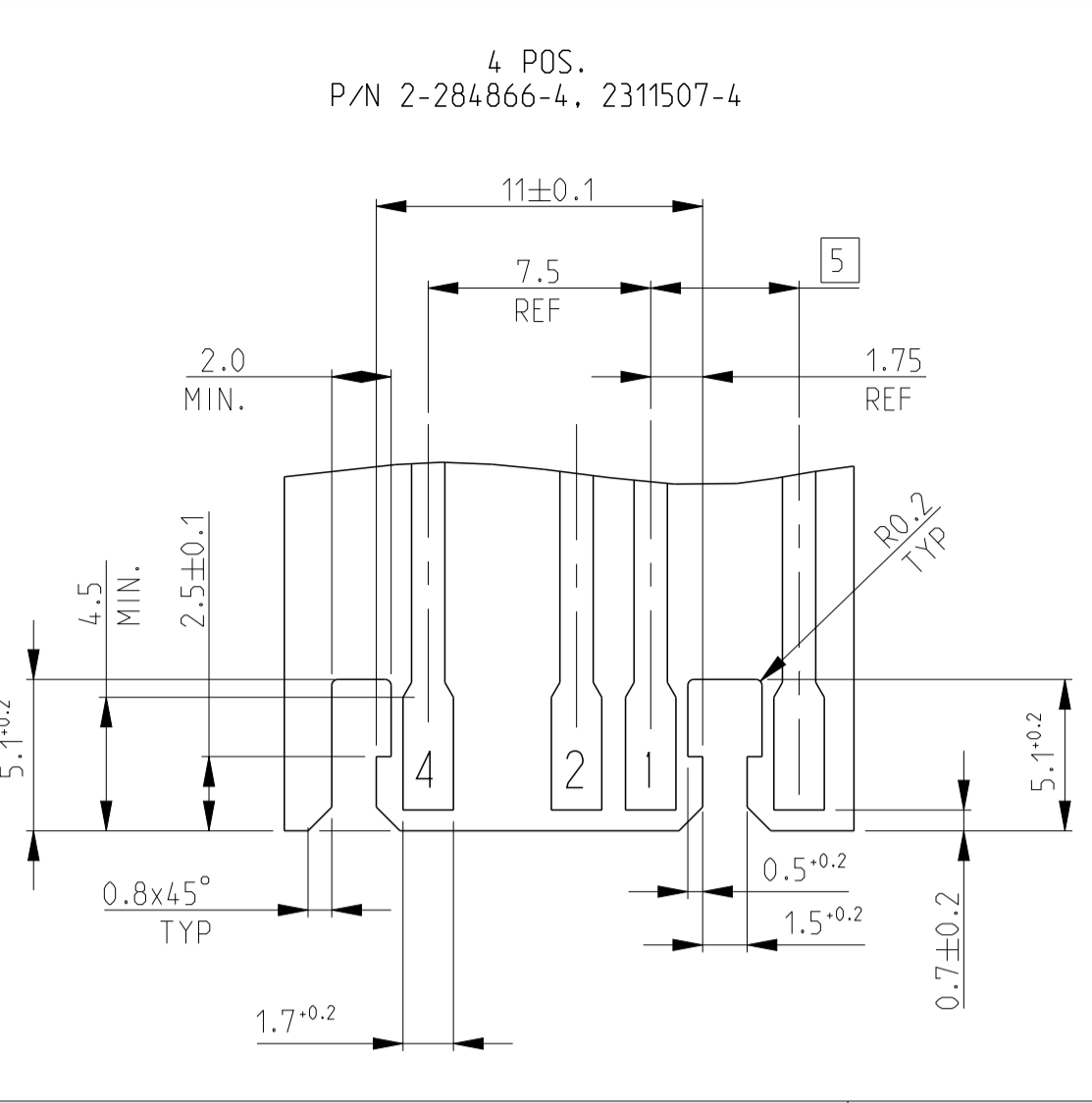
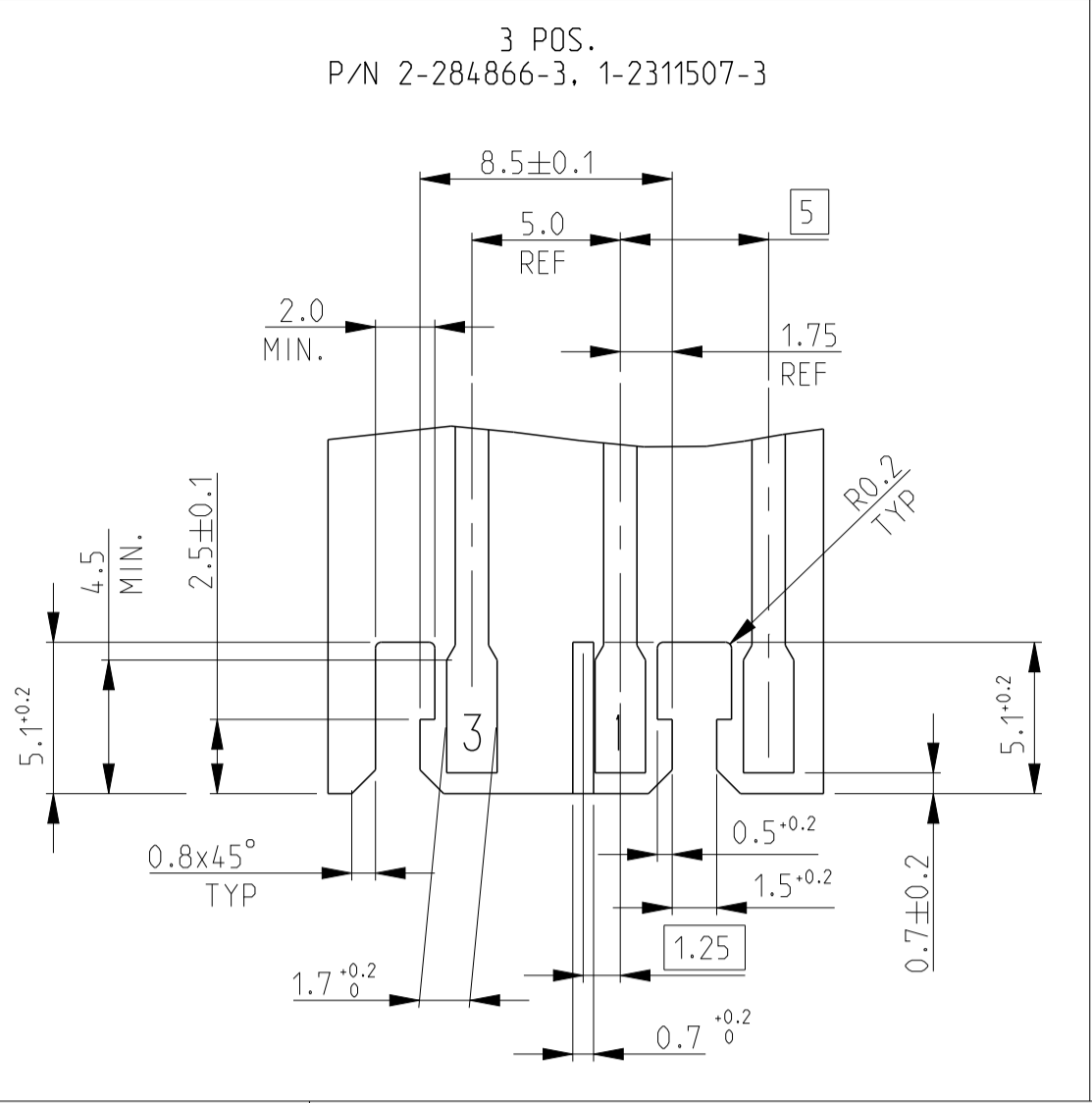
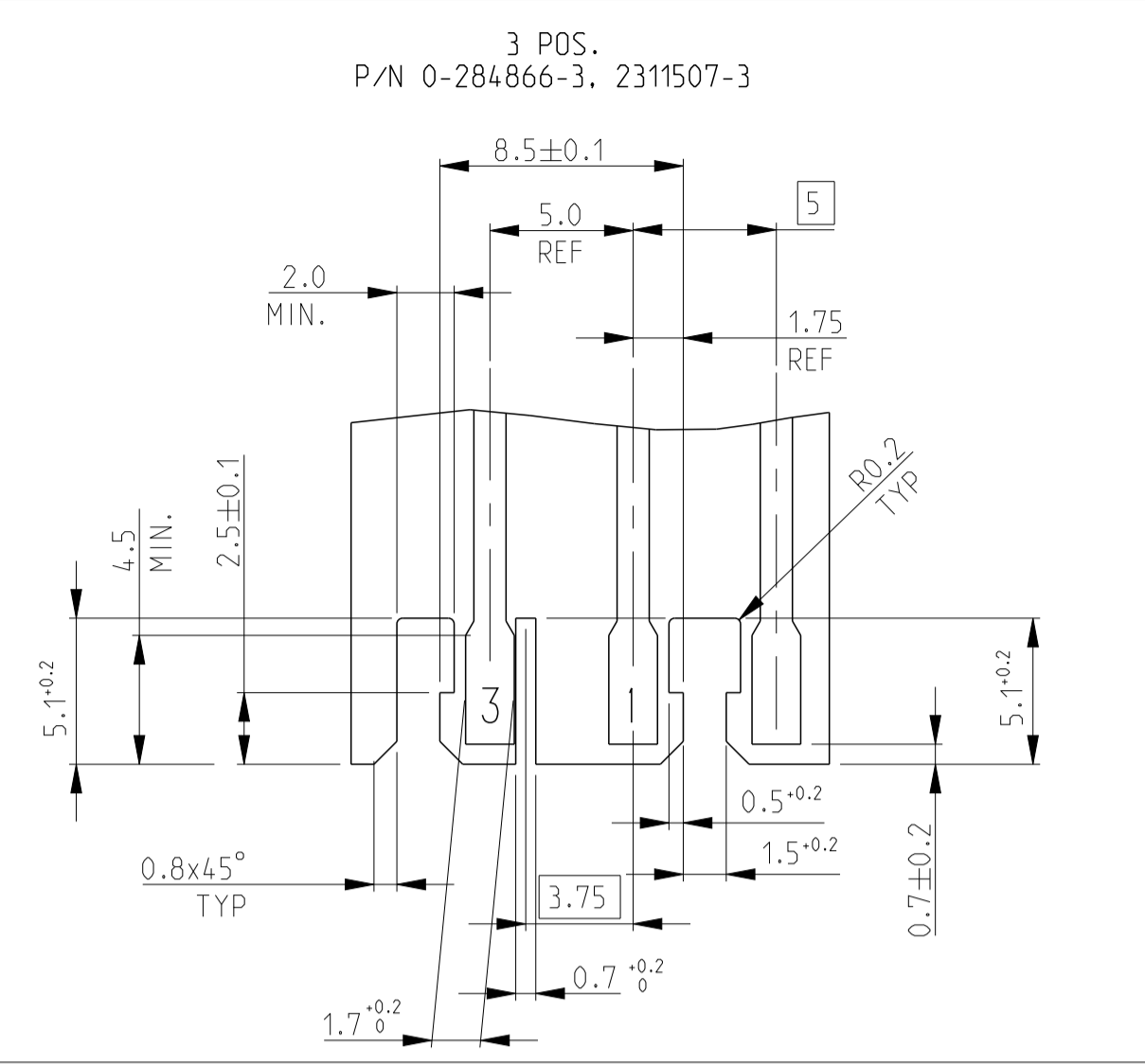
| COLOUR CODE | POLARIZ. RIB POS. | CONTACT LOADING | HSG POS. | DIM.A | DIM.B | TE P/N | TE P/N |
|----------------|-------------------|--|----------|-------|-------|-----------------------|-------------|
| GREEN | 13/14 | SELECTIVELY 1.3,4,6,8,9,10,11,12,13,14 | 14 | 32.5 | 37.4 | 5-284866-4 | 1-2311508-4 |
| BLUE | | SELECTIVELY 1.3,4,6,11,12,13,14 | | | | 1-284866-4 | 2311508-4 |
| - | | SELECTIVELY 1.2,5,6,8,10,11,13 | | | | 4-284866-3 | - |
| - | 2/3 | SELECTIVELY 3,4,5,6,8,10,11,13 | 13 | 30.0 | 34.9 | 3-284866-3 | - |
| - | | SELECTIVELY 1.2,3,4,5,6,8,10,11,13 | | | | 5-284866-3 | - |
| BLUE | 2/3 | SELECTIVELY 1.3,4,6,7,9,11,12 | 12 | 27.5 | 32.4 | 1-284866-2 | 2311508-2 |
| BLACK | 2/3 | SELECTIVELY 1.3,5,6,7,8,9,10 | | | | 2-284866-0 | - |
| OBSOLETED BLUE | 2/3 | SELECTIVELY 1.2,3,4,5,6,7,8,10 | | | | 1-284866-0 | - |
| - | 2/3 | SELECTIVELY 1.3,5,7,9 | | | | 9-2311507-9 | - |
| - | 7/8 | SELECTIVELY 1.2,4,6,8,9 | | | | 2336596-9 | - |
| GRAY | 3/4 | SELECTIVELY 1.3,4,6,8,9 | | | | 7-284866-9 | 8-2311507-9 |
| RED | 4/5 | SELECTIVELY 1,2,4,6,8,9 | | | | 8-284866-9 | 7-2311507-9 |
| - | | SELECTIVELY 1.2,4,6,8,9 | | | | 9-284866-9 | / |
| GREEN | | SELECTIVELY 1.2,4,6,7,9 | 9 | 20.0 | 24.9 | 1-284866-9 | 6-2311507-9 |
| BLACK | | SELECTIVELY 1.3,5,7,8,9 | | | | 6-284866-9 | 5-2311507-9 |
| ORANGE | 2/3 | SELECTIVELY 1.2,3,5,7,9 | | | | 5-284866-9 | 4-2311507-9 |
| ORANGE | | SELECTIVELY 1.3,4,6,8,9 | | | | 4-284866-9 | 3-2311507-9 |
| RED | | SELECTIVELY 1.3,5,6,7,9 | | | | 3-284866-9 | 2-2311507-9 |
| GREEN | | SELECTIVELY 1.3,4,5,6,7,8,9 | | | | 2-284866-9 | 1-2311507-9 |
| BLUE | | SELECTIVELY 1.3,4,6,7,9 | | | | 0-284866-9 | 2311507-9 |
| - | | SELECTIVELY 5,6,7 | | | | 5-284866-8 | - |
| BROWN | | SELECTIVELY 1.2,3,4,6,8 | | | | 4-284866-8 | 3-2311507-8 |
| RED | 2/3 | SELECTIVELY 1.3,5,6,7,8 | 8 | 17.5 | 22.4 | 3-284866-8 | 2-2311507-8 |
| GREEN | | SELECTIVELY 1.3,4,5,6,7,8,9 | | | | 2-284866-8 | 1-2311507-8 |
| BLUE | | SELECTIVELY 1.3,4,6,7,8 | | | | 0-284866-8 | 2311507-8 |
| BLUE | 2/3 | SELECTIVELY 1.3,5,7 | 7 | 15.0 | 19.9 | 1-284866-7 | 1-2311507-7 |
| BLUE | | SELECTIVELY 1.3,5,6,7 | | | | 0-284866-7 | 2311507-7 |
| - | 4/5 | SELECTIVELY 1.3,4,6 | | | | 5-284866-6 | - |
| BLACK | 2/3 | SELECTIVELY 1.3,4,6 | 6 | 12.5 | 17.4 | 4-284866-6 | 2-2311507-6 |
| GREEN | 4/5 | SELECTIVELY 1.2,4,6 | | | | 2-284866-6 | 1-2311507-6 |
| BLUE | 2/3 | SELECTIVELY 1.3,5,6 | | | | 0-284866-6 | 2311507-6 |
| - | 2/3 | SELECTIVELY 1.3,5 | | | | - | 4-2311507-5 |
| ORANGE | 1/2 | SELECTIVELY 3,4,5 | | | | 4-284866-5 | 3-2311507-5 |
| GREEN | | SELECTIVELY 1.2,3,5 | 5 | 10.0 | 14.9 | 3-284866-5 | 2-2311507-5 |
| BLUE | 3/4 | SELECTIVELY 1.3,4,5 | | | | 2-284866-5 | 1-2311507-5 |
| RED | 2/3 | SELECTIVELY 2,4 | | | | 0-284866-5 | 2311507-5 |
| GREEN | N/A | SELECTIVELY 1.2,4 | 4 | 7.5 | 12.4 | 2-284866-4 | 2311507-4 |
| GREEN | 1/2 | SELECTIVELY 1,3 | | | | 2-284866-3 | 1-2311507-3 |
| BLUE | - | SELECTIVELY 1,3 | 3 | 5.0 | 9.9 | 1-284866-3 | - |
| BLUE | 2/3 | SELECTIVELY 1,3 | | | | 0-284866-3 | 2311507-3 |

| | | | | | | | | | |
|------------------------------------|--|------------------------|------|--|--|-----------------------------------|--|----------------------------------|---------------|
| - | | - | | THIS DRAWING IS A CONTROLLED DOCUMENT. | | OWN R. FABRIS 03JUL2002 | | TE Connectivity | |
| SEE TABLE | PH. BRONZE, TIN PLATED | IDC RECEPTACLE CONTACT | 2 | DIMENSIONS: mm | TOLERANCES UNLESS OTHERWISE SPECIFIED: | APV: TURCO | NAME: DUOPLUG 2.5 FEMALE CONN. SIDE LOCKING, KEYED (SELECTIVELY LOADED CONTACTS) | SIZE: A1 | RESTRICTED TO |
| Q.TY | MATERIAL | DESCRIPTION | ITEM | 0 PLC ±0.2 1 PLC ±0.2 2 PLC ±0.2 3 PLC ±0.2 4 PLC ±0.2 ANGLES ±1° | | PRODUCT SPEC 108-20238 | CAGE CODE DRAWING NO: 116-18049-1 | SCALE: 10:1 | SHEET 1 OF 5 |
| 1 | REVISIONE DELL'ASSEMBLATO (REVISION OF EACH ASSY NO) | | | MATERIAL: SEE TABLE | FINISH: SEE TABLE | APPLICATION SPEC | WEIGHT: - | REV: C2 | |
| ELENCO DEI COMPONENTI (PARTS LIST) | | | | CUSTOMER DRAWING | | CAGE CODE DRAWING NO: 116-18049-1 | | SCALE: 10:1 SHEET 1 OF 5 REV: C2 | |

PCB LAYOUT -Soldering side-

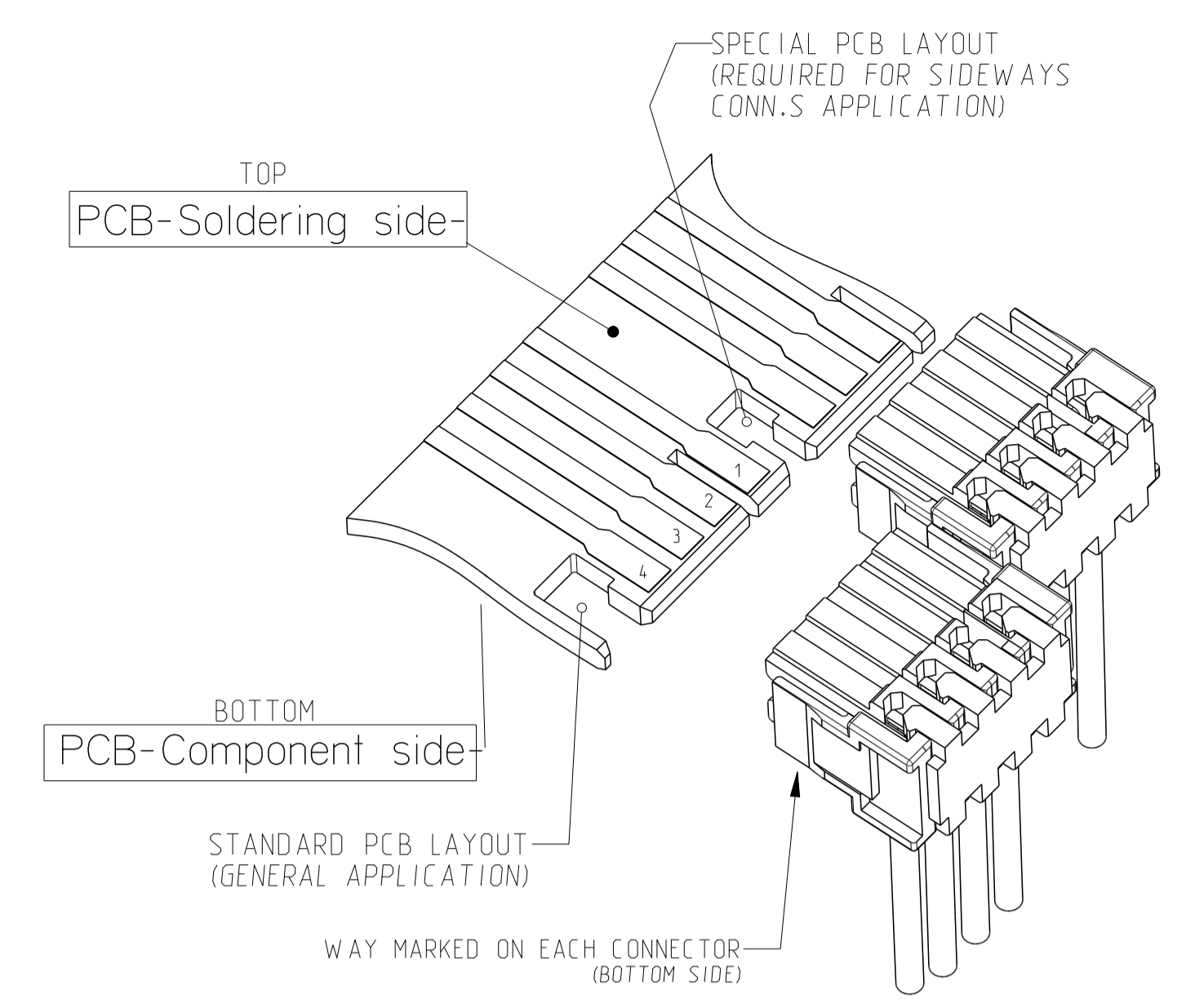
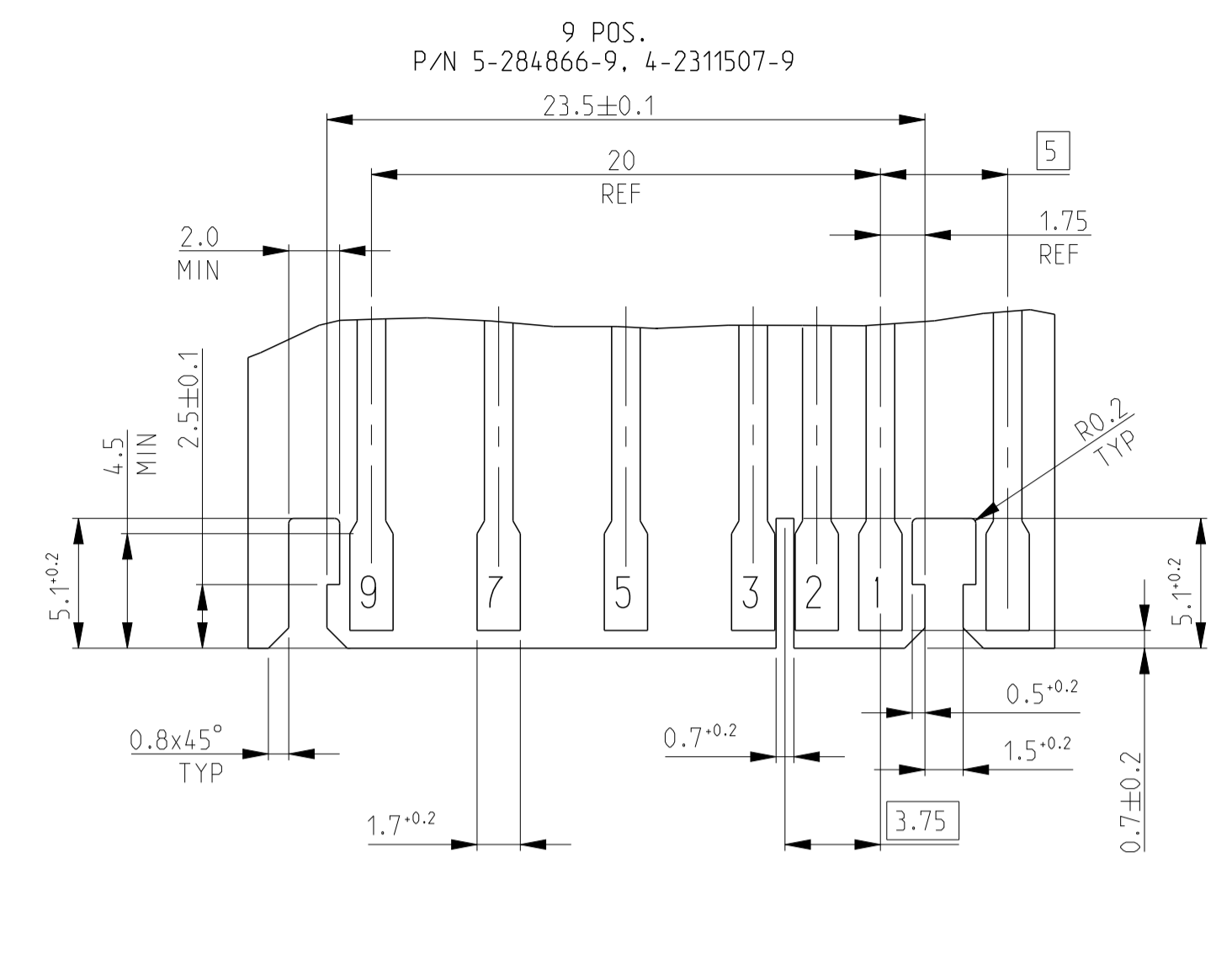
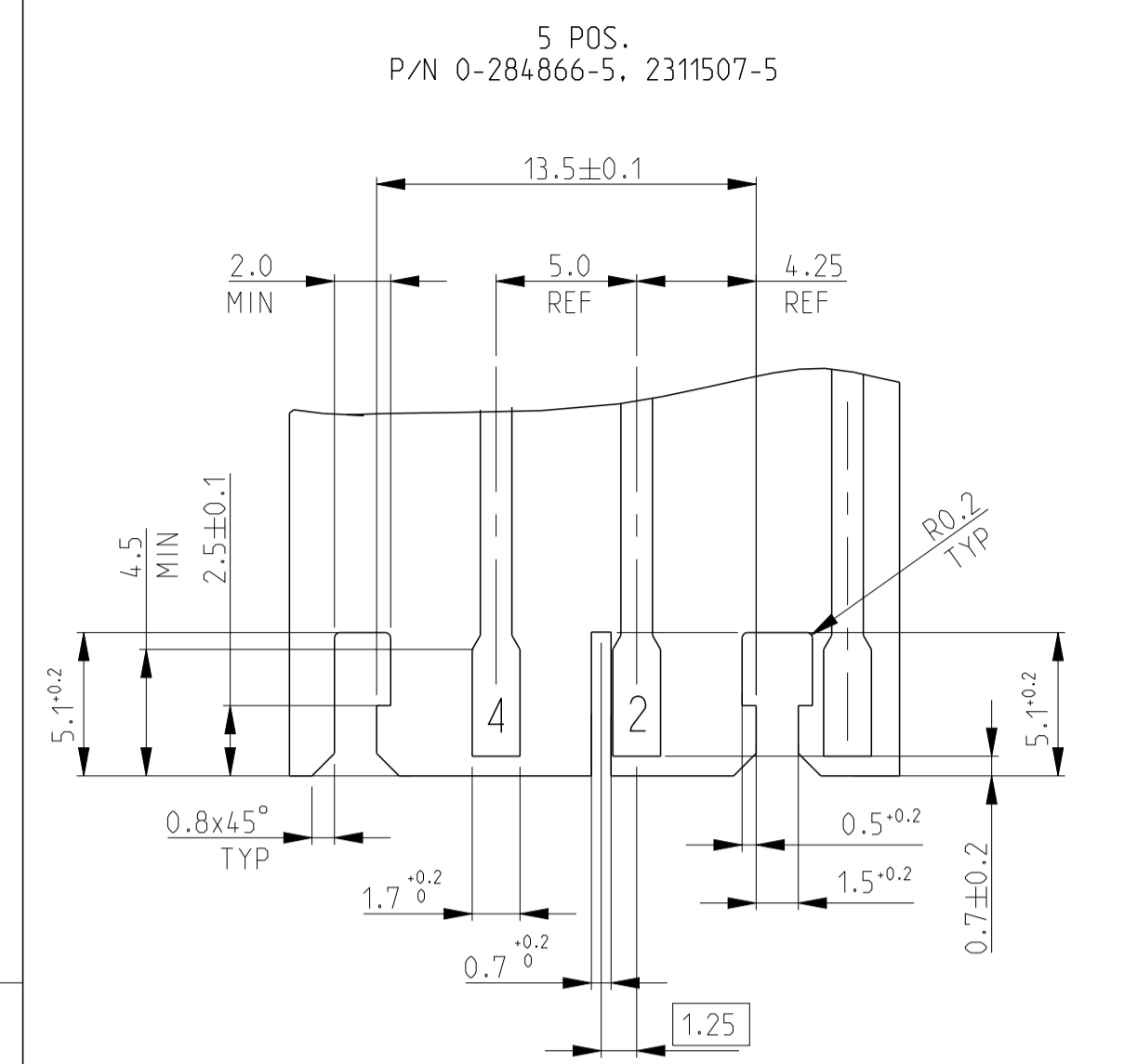
(SCALE 4:1)

| REVISIONS | | | | |
|-----------|------|-------------|------|----------|
| P. | LTN. | DESCRIPTION | DATE | OWN APVD |
| - | - | SEE SHEET 1 | - | - |

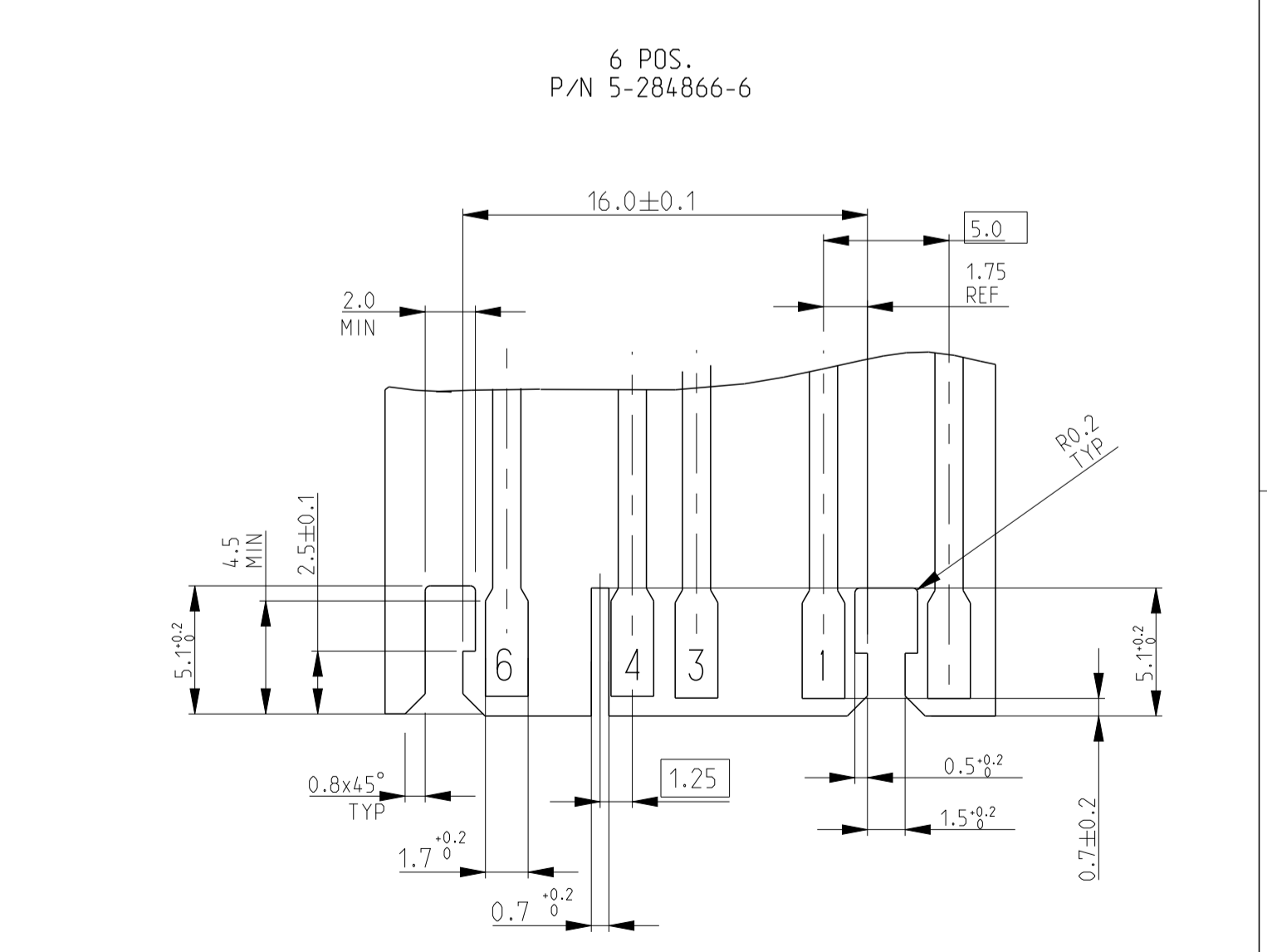
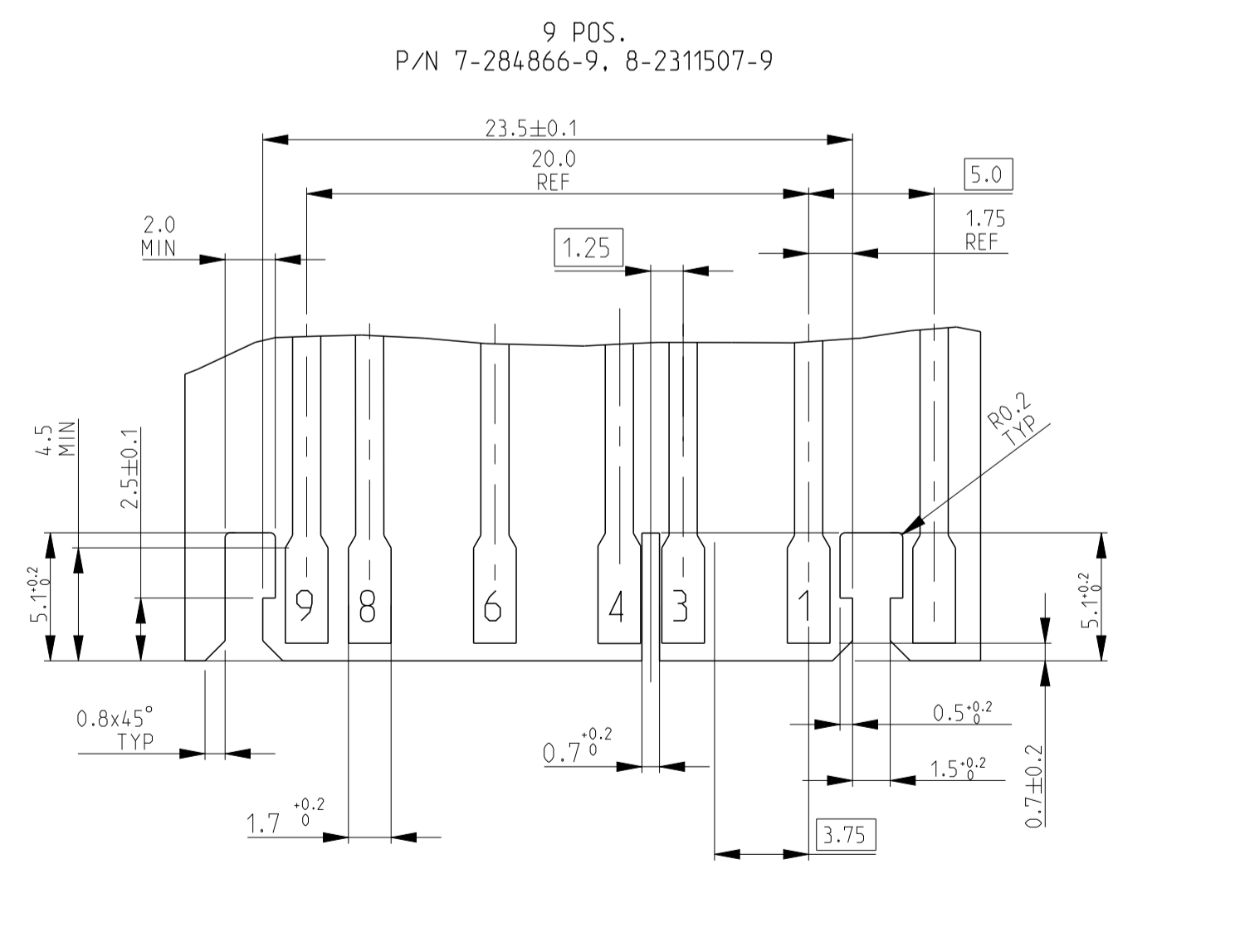
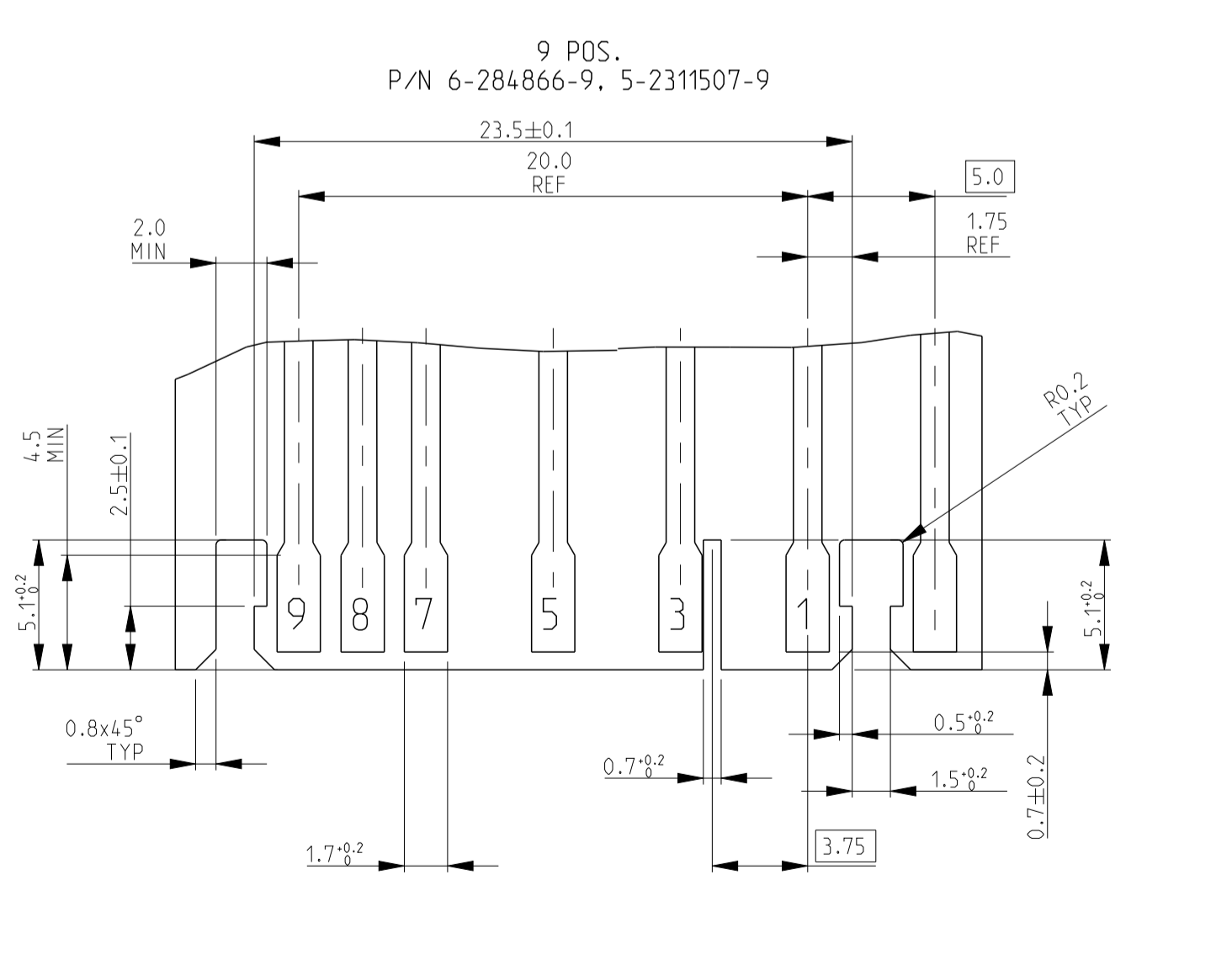
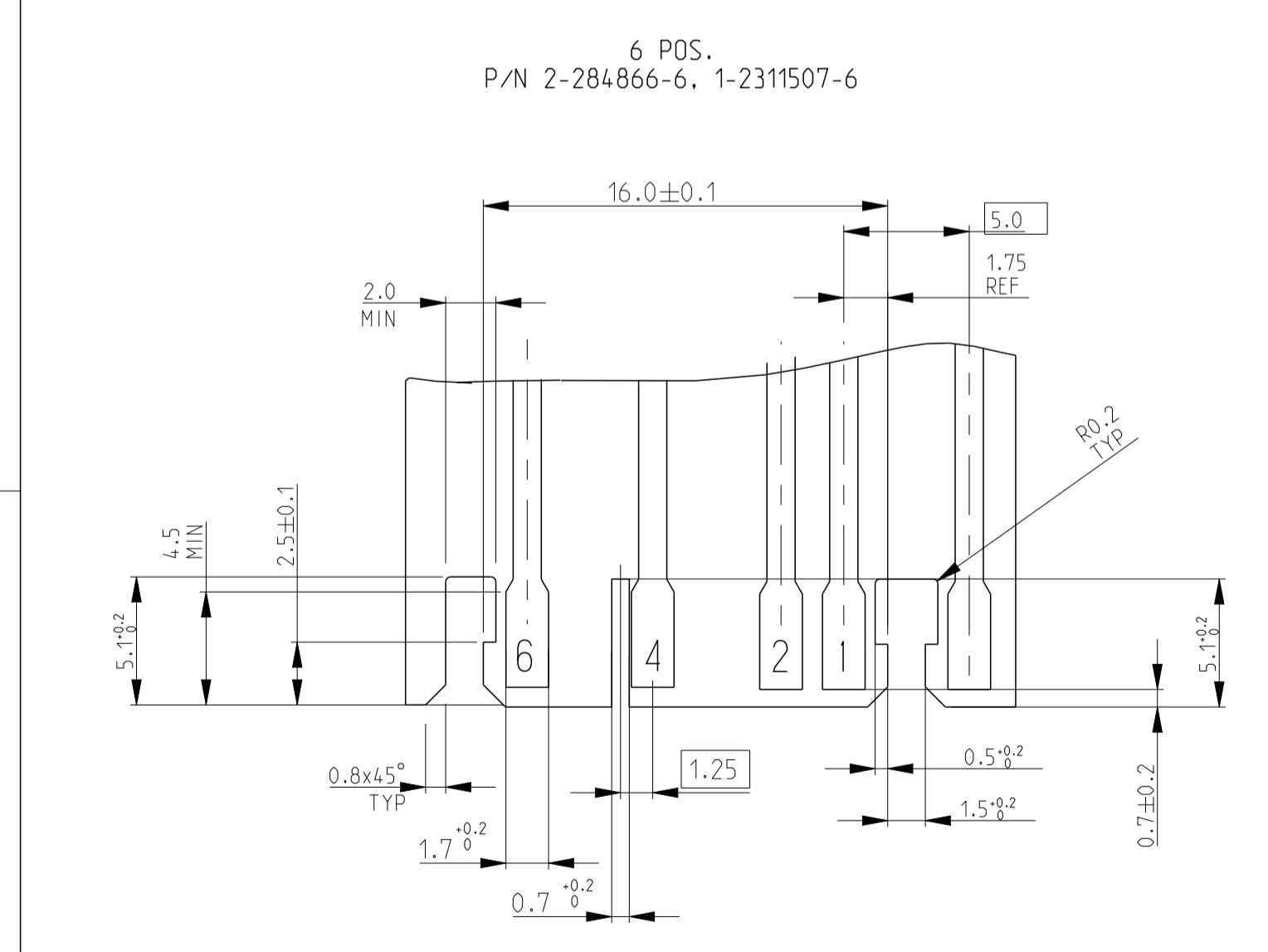
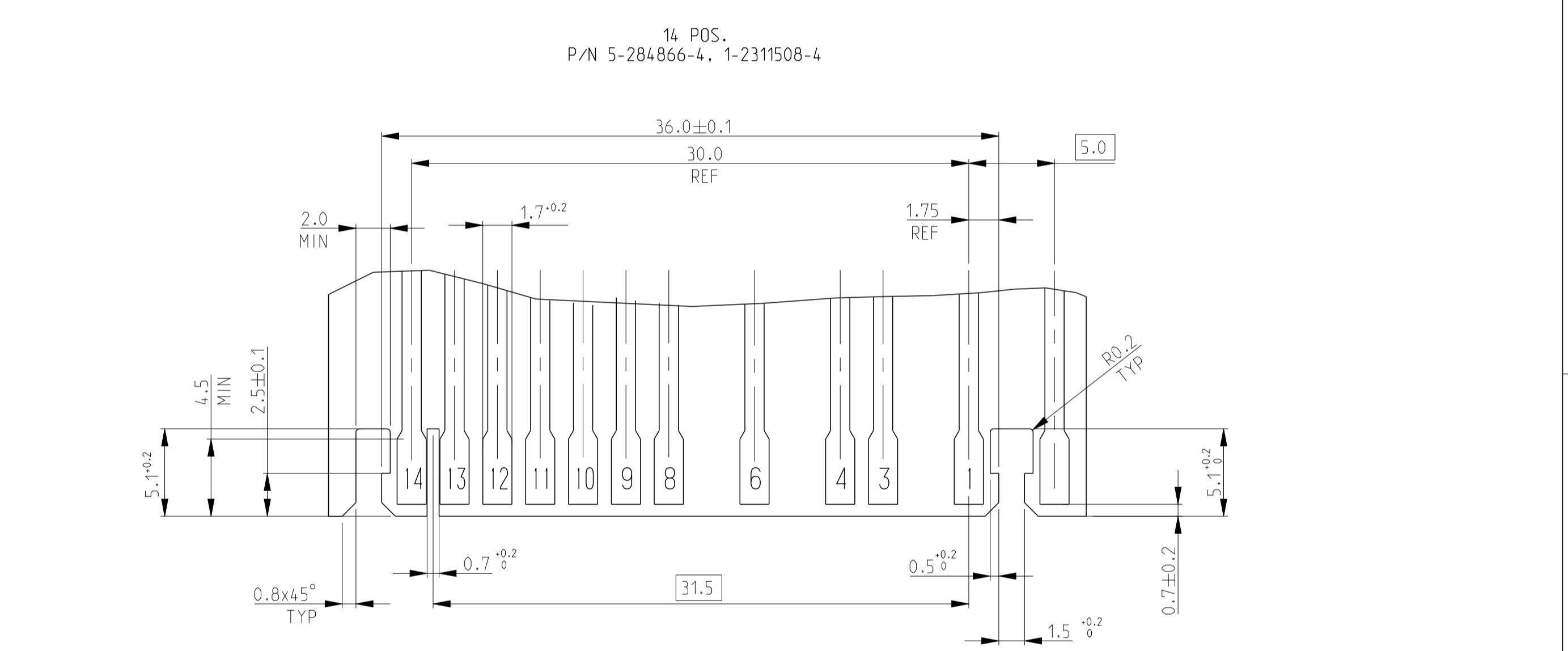
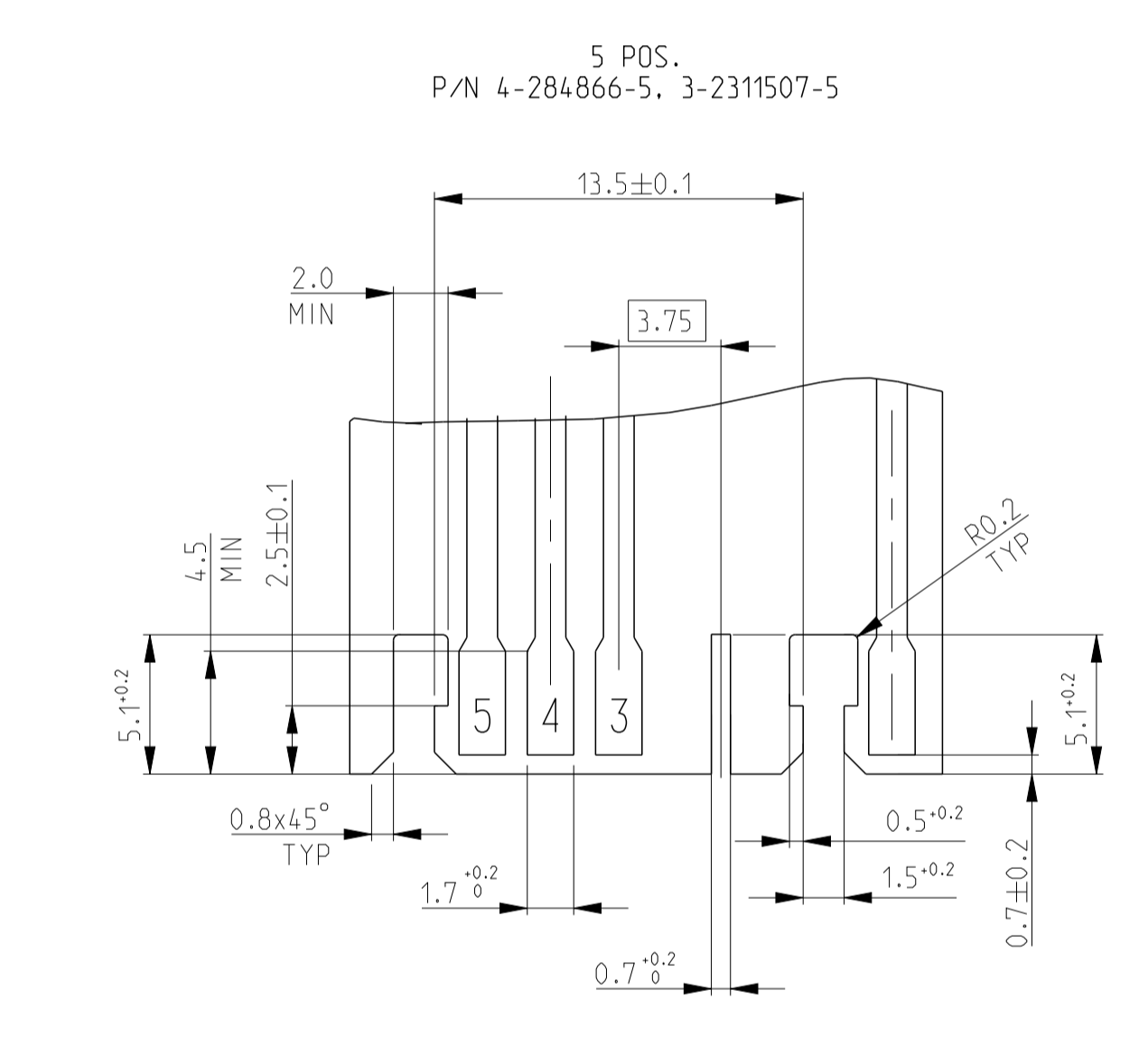
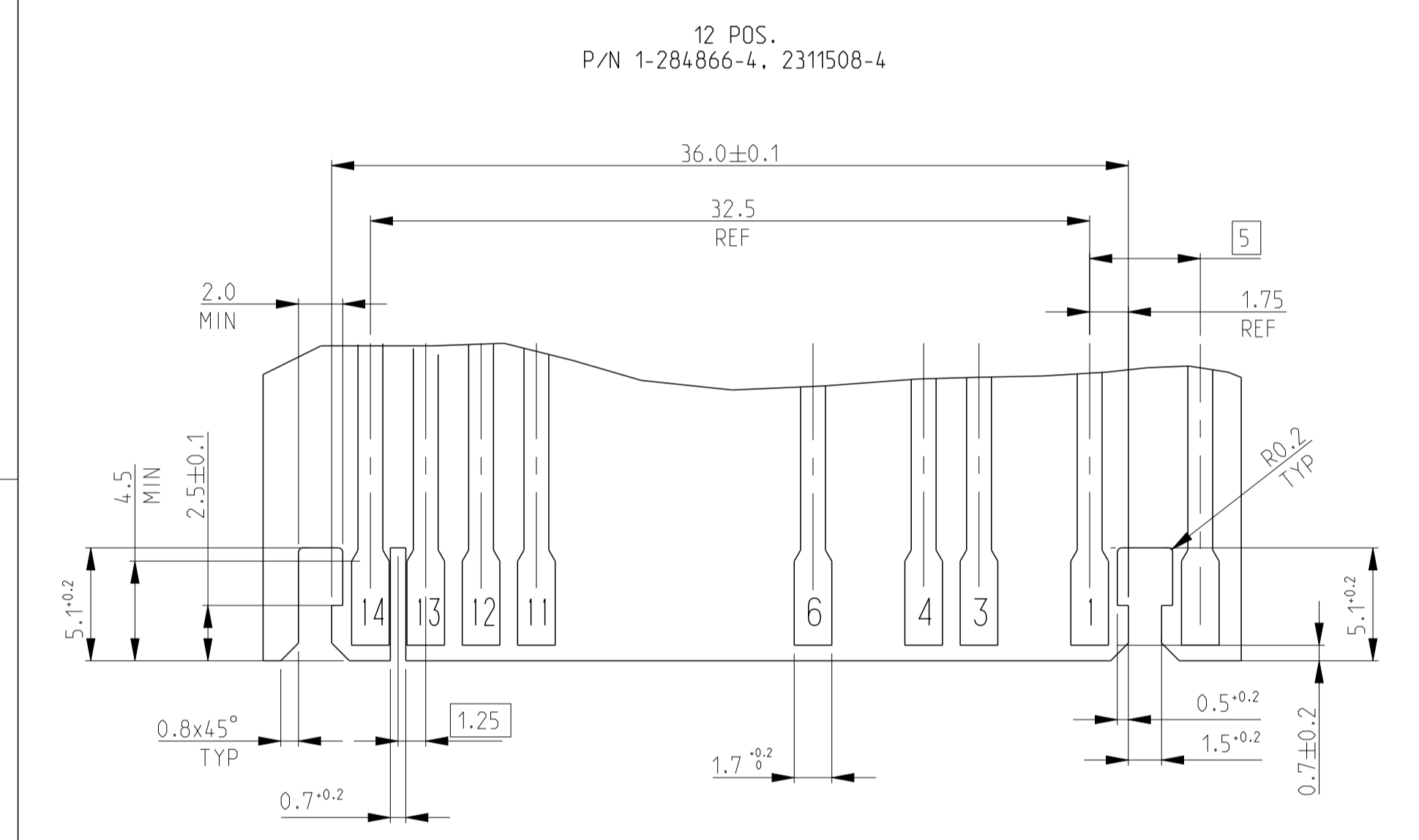


| | | | |
|--|--|-------------------|---|
| THIS DRAWING IS A CONTROLLED DOCUMENT. | | OWN: R. FABRIS | 03JUL2002 |
| DIMENSIONS: mm | | CHK: - | |
| TOLERANCES UNLESS OTHERWISE SPECIFIED: | | APVD: TURCO | NAME: DUOPLUG 2.5 FEMALE CONN., SIDE LOCKING, KEYED (SELECTIVELY LOADED CONTACTS) |
| MATERIAL: SEE TABLE | | FINISH: SEE TABLE | SIZE: 116-18049-1 |
| WEIGHT: - | | REVISIONS: - | RESTRICTED TO: - |
| CUSTOMER DRAWING | | SCALE: 6:1 | SHEET 2 OF 5 |

| REVISIONS | | | | |
|-----------|------|-------------|------|-----------|
| P. | LTN. | DESCRIPTION | DATE | OWN APVD. |
| - | - | SEE SHEET 1 | - | - |



CONNECTION LAYOUT
 E.G P/N 0-284865-4
 (SCALE 4:1)

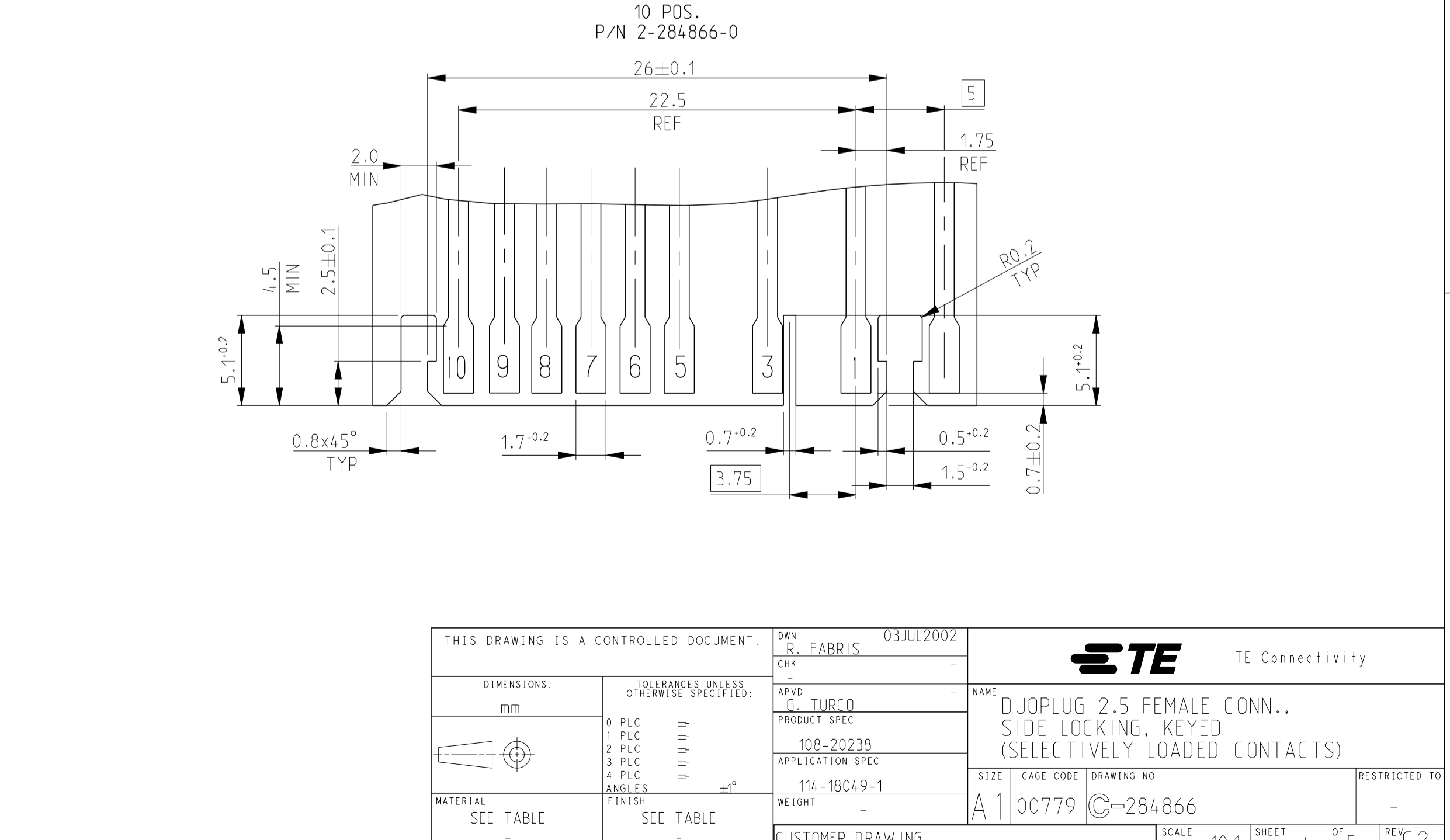
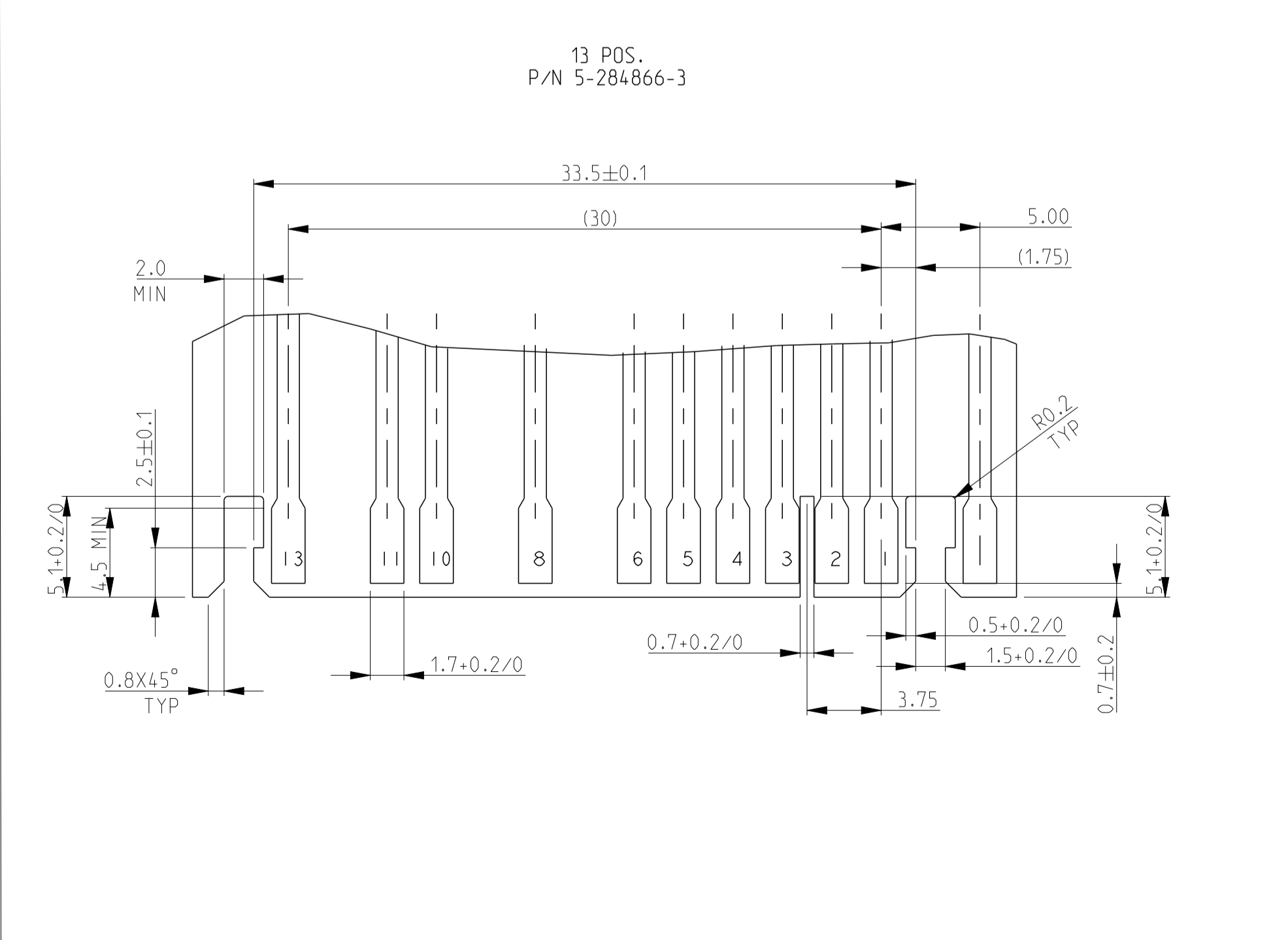
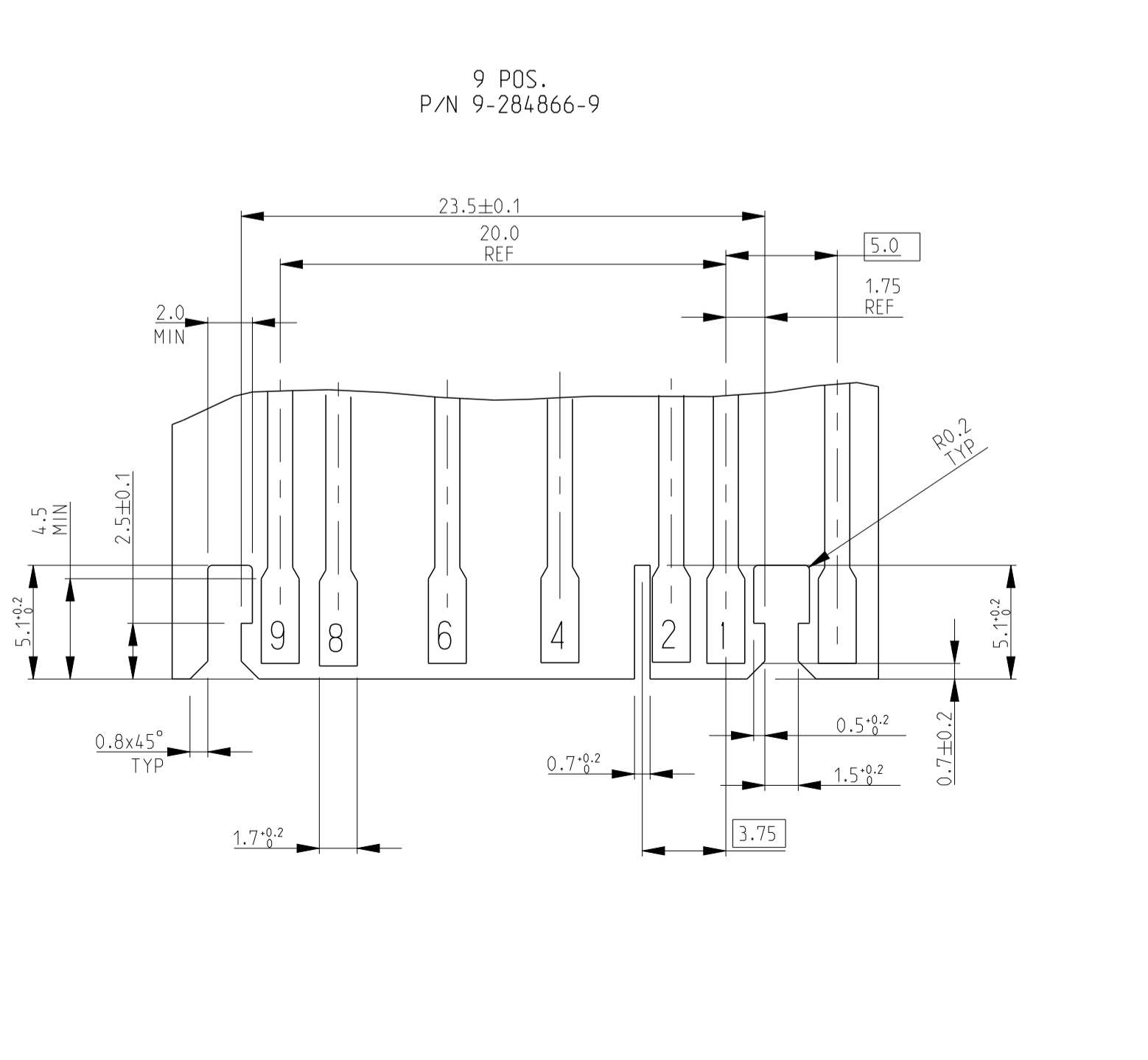
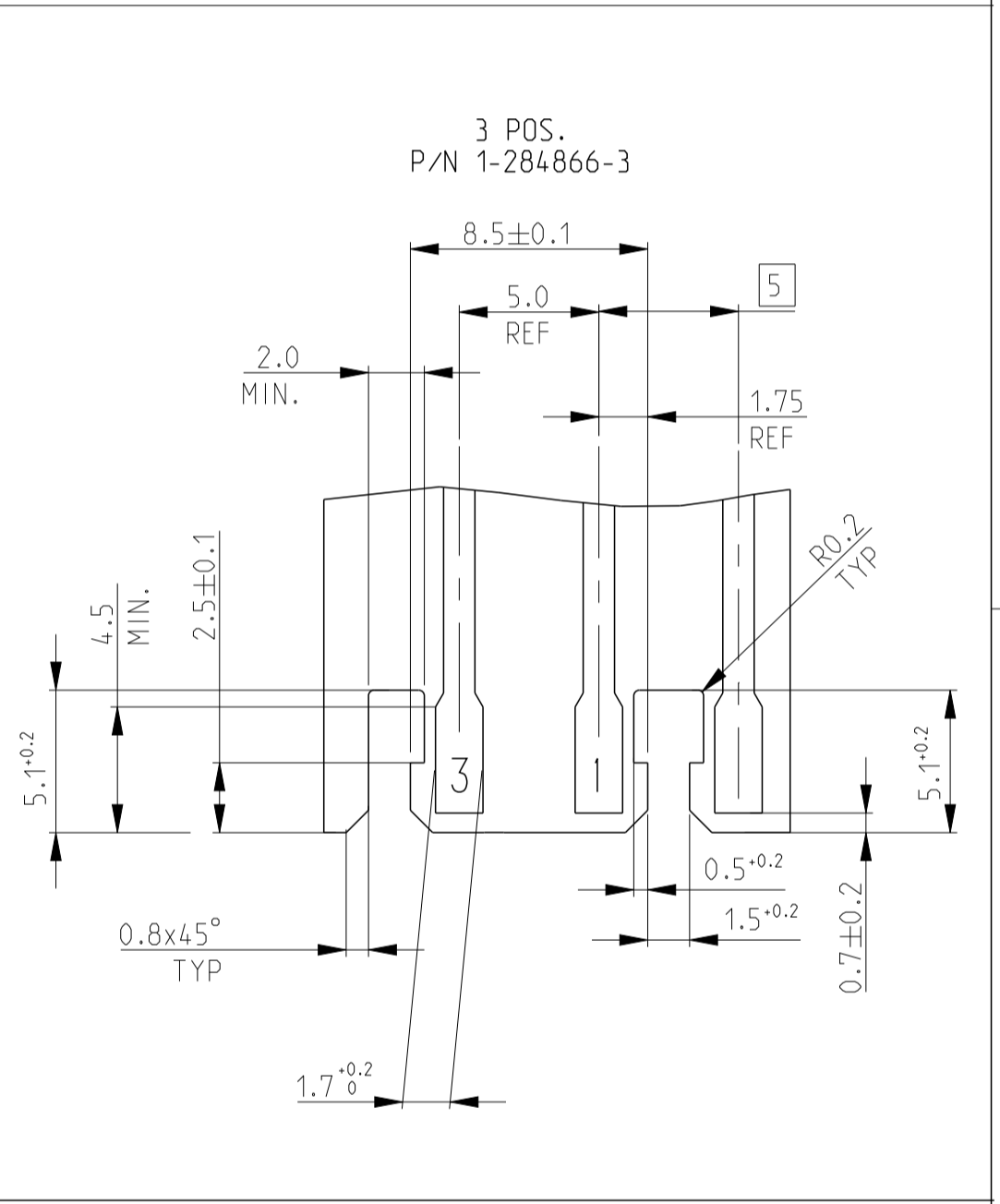
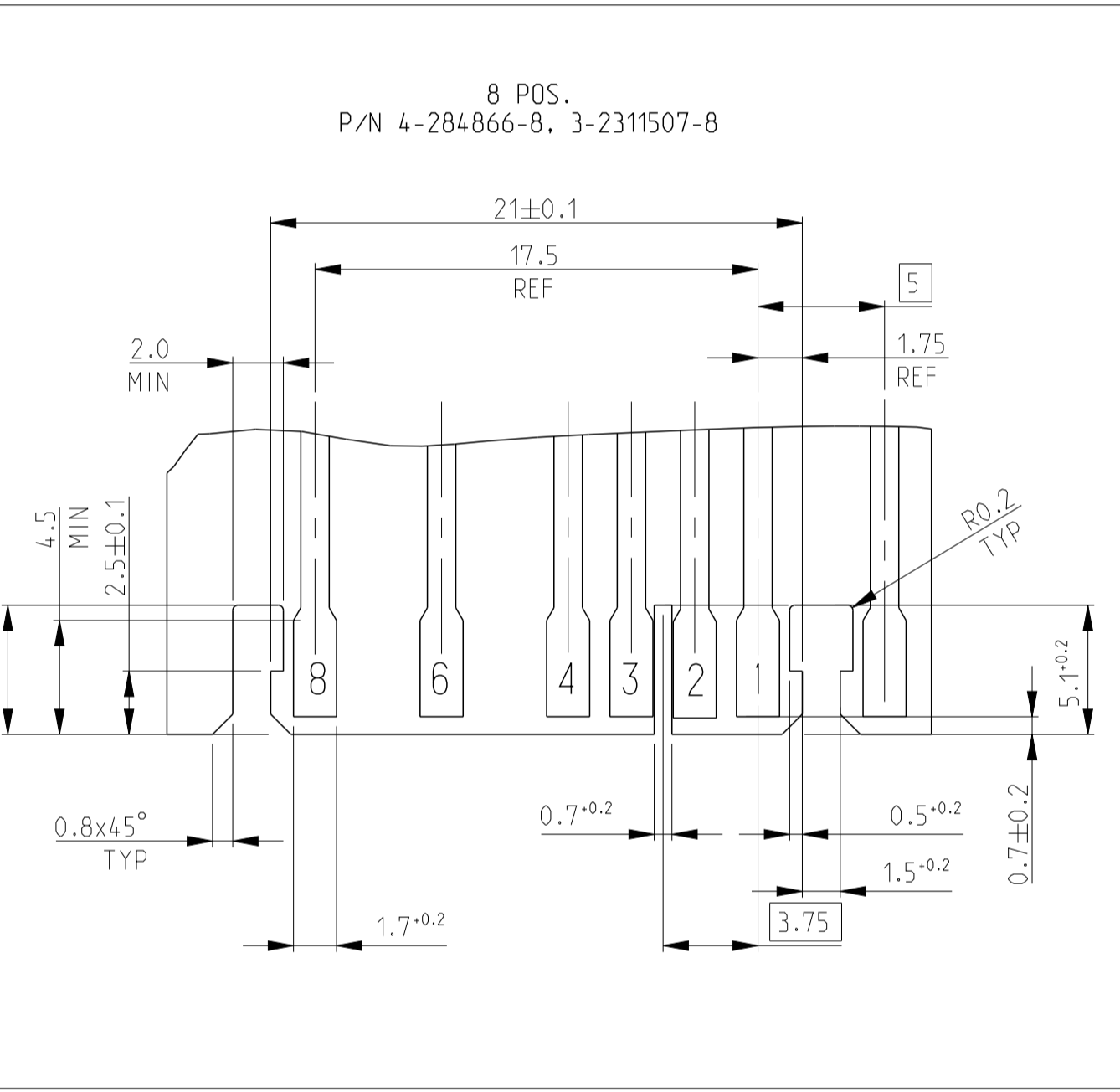
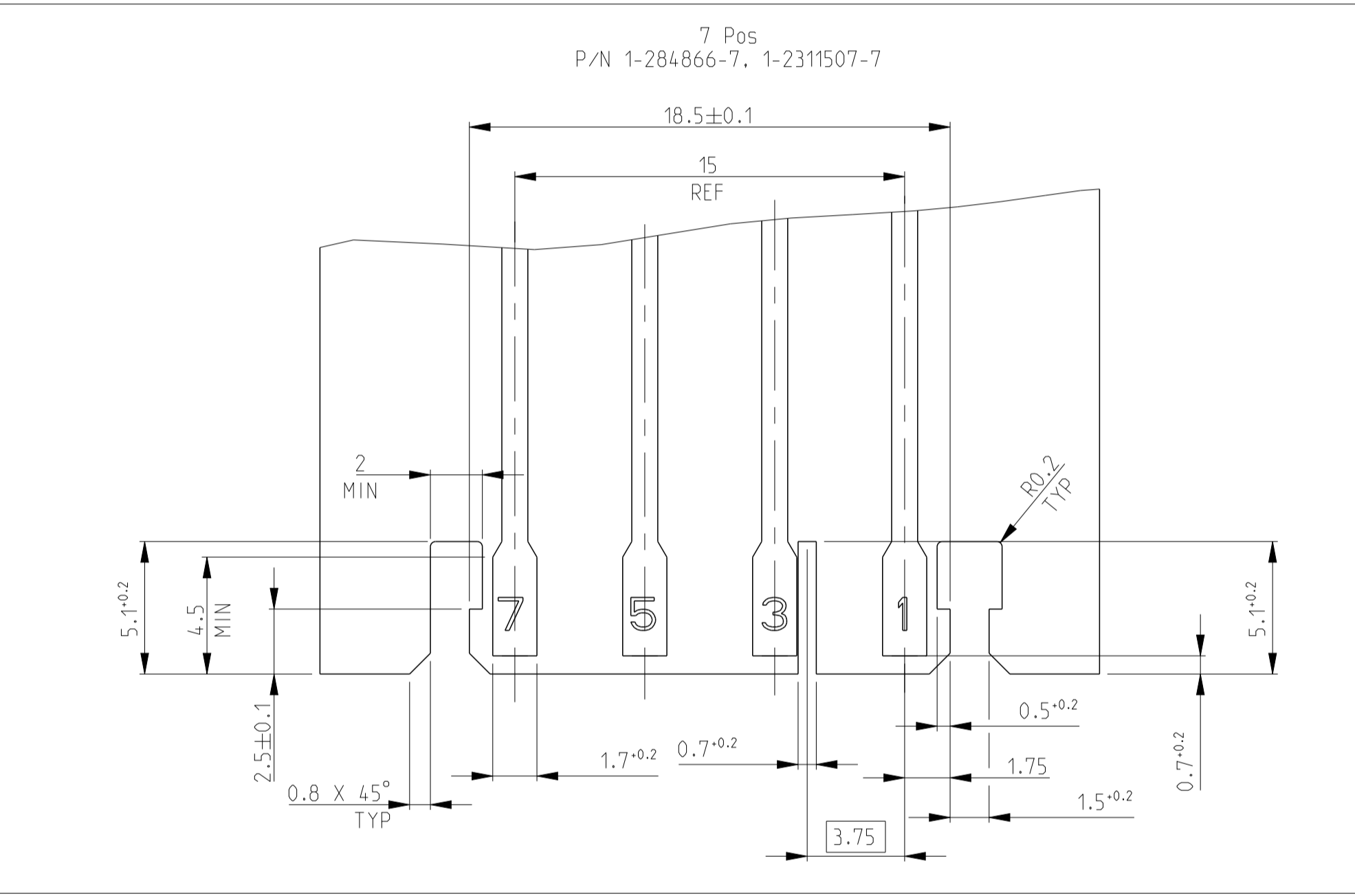
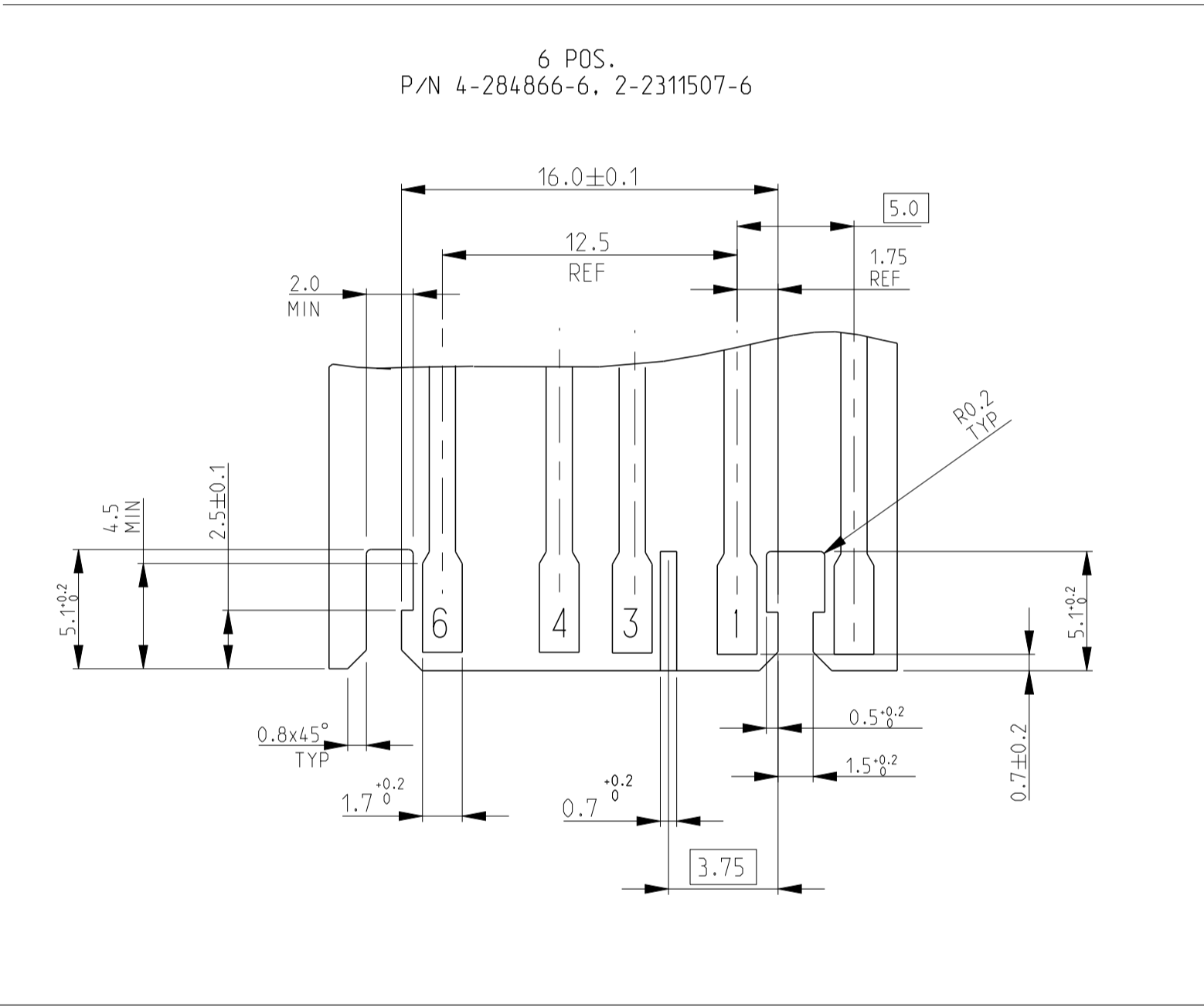
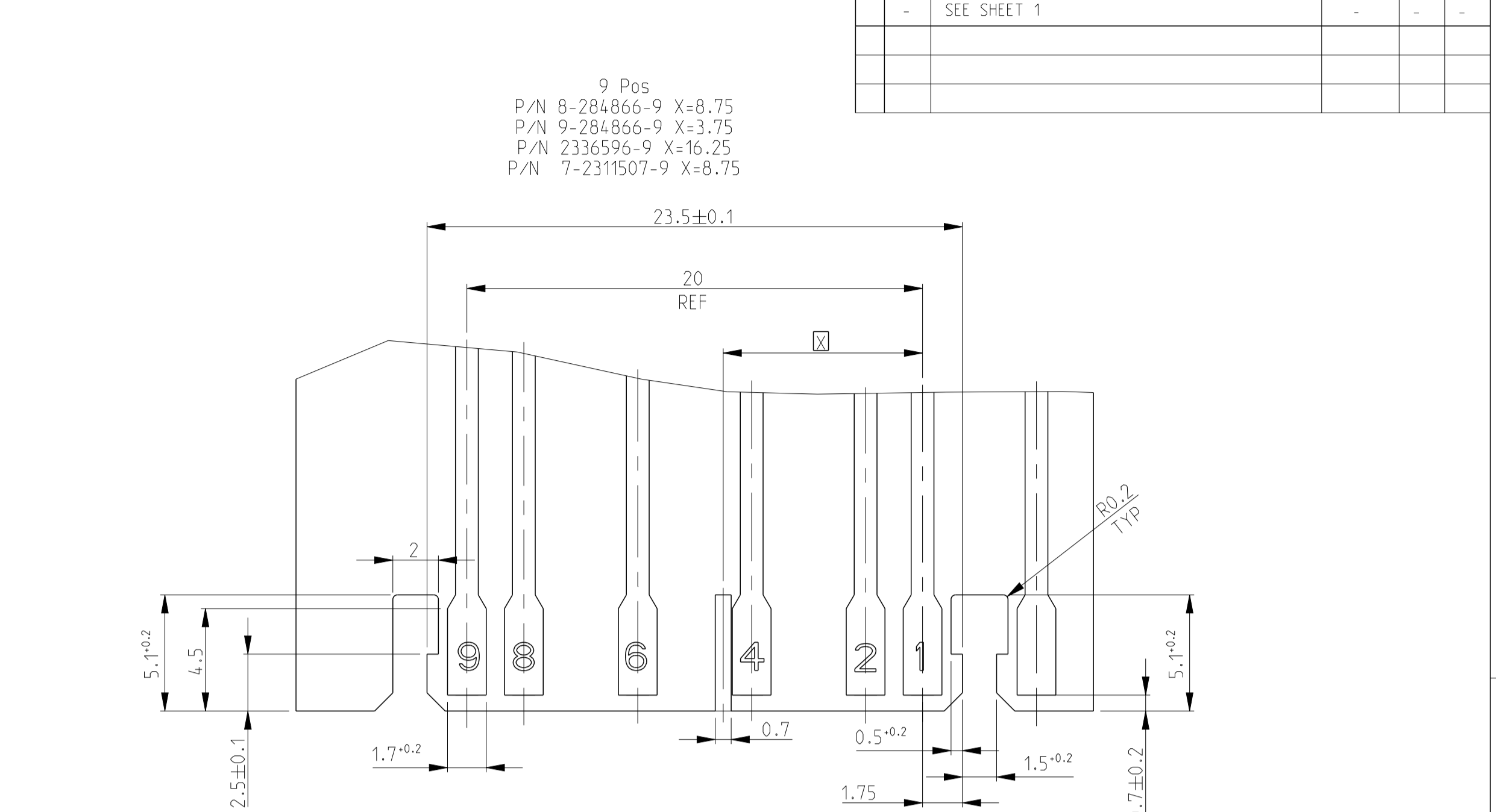
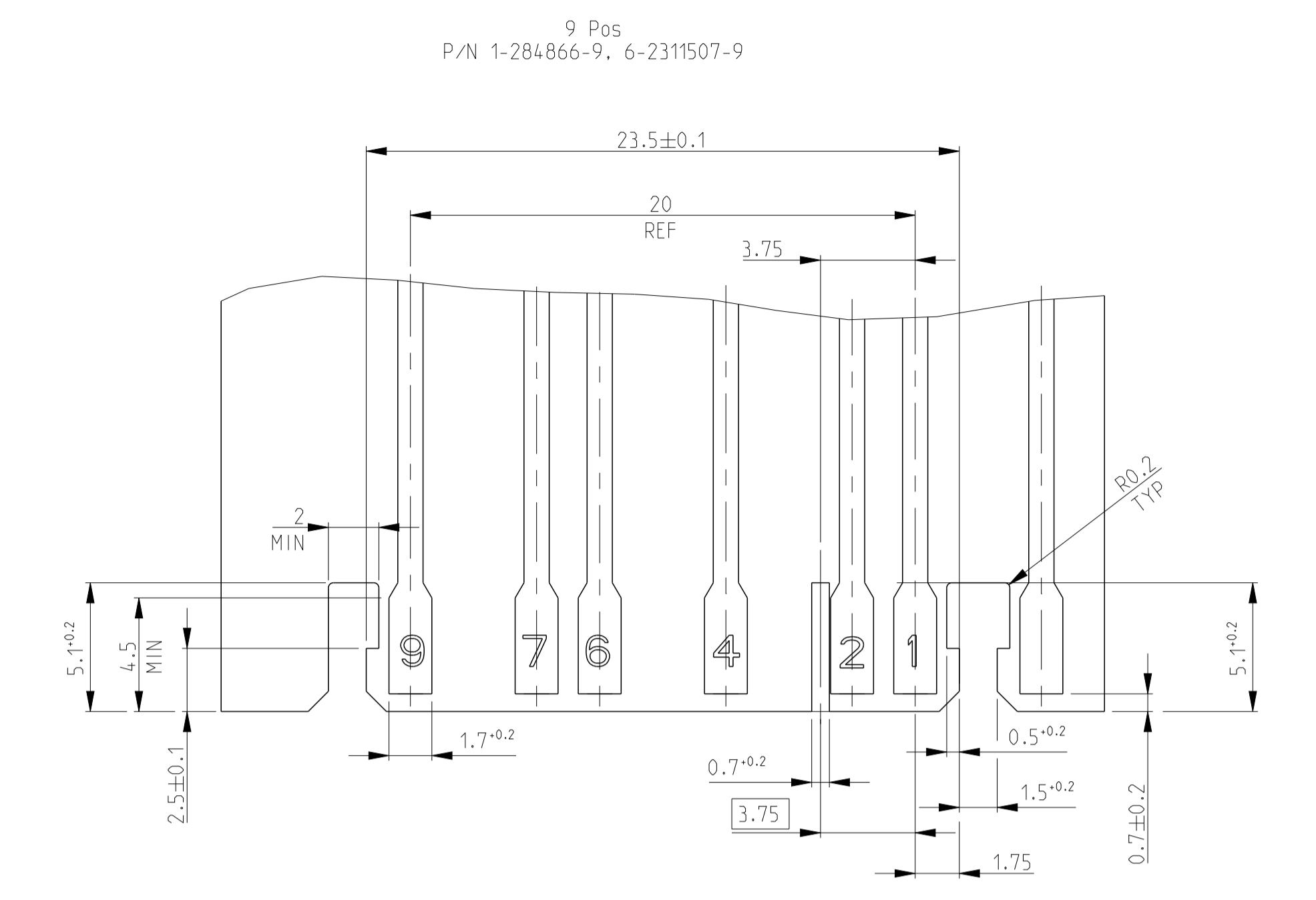
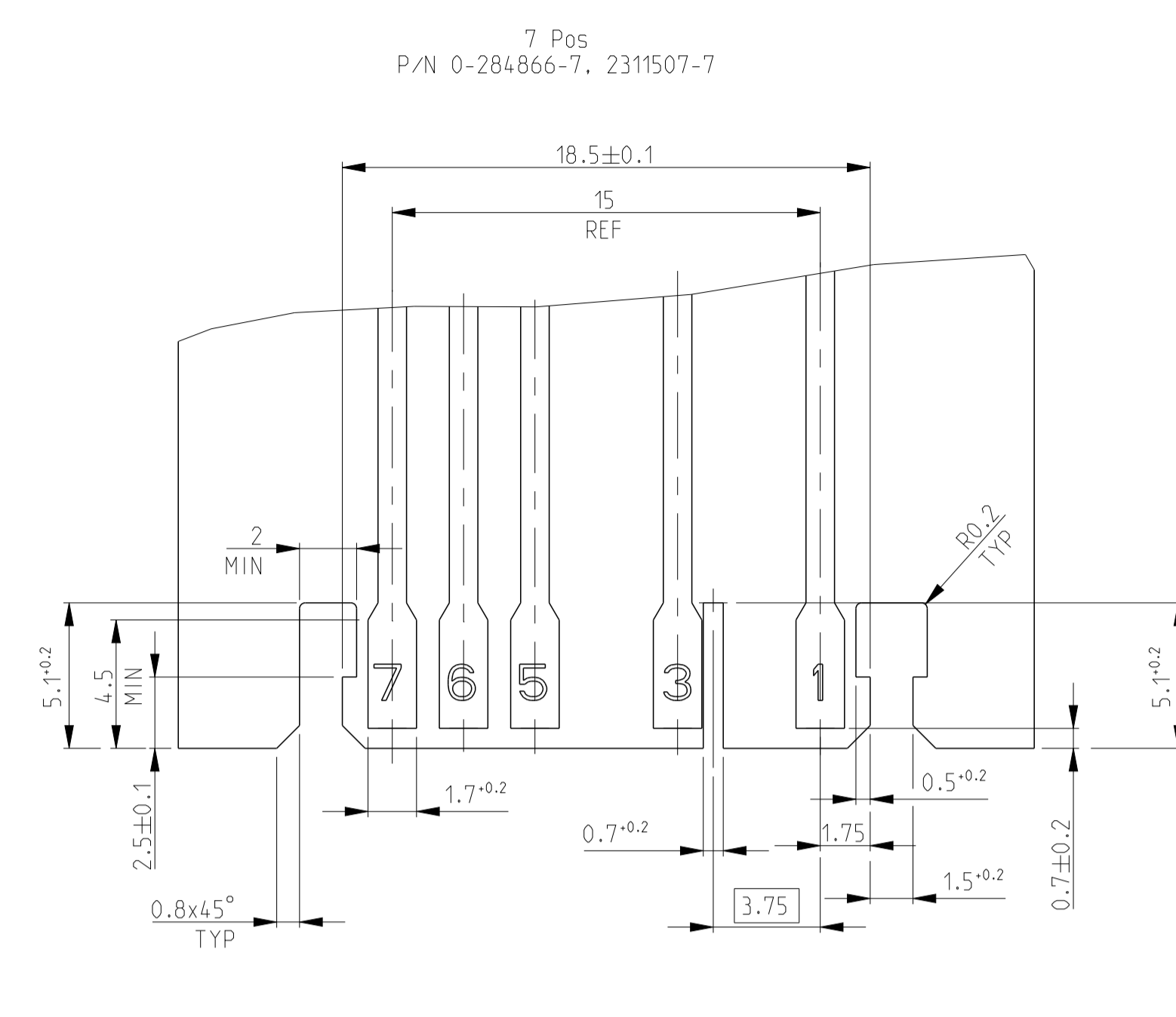


THIS DRAWING IS A CONTROLLED DOCUMENT. OWN: R. FABRIS 03JUL2002
 CHK: -

| | | | |
|---------------------|--|--|---|
| DIMENSIONS: mm | TOLERANCES UNLESS OTHERWISE SPECIFIED: | APVD: - | NAME: DUOPLUG 2.5 FEMALE CONN., SIDE LOCKING, KEYED (SELECTIVELY LOADED CONTACTS) |
| | 0 PLC # 1 PLC # 2 PLC # 3 PLC # 4 PLC # ANGLES #° # FINISH # | PRODUCT SPEC: 108-20238 APPLICATION SPEC: 116-18049-1 | SIZE: A1 CAGE CODE: 00779 DRAWING NO: 284866 |
| MATERIAL: SEE TABLE | SEE TABLE | WEIGHT: - | RESTRICTED TO: - |

CUSTOMER DRAWING SCALE: 6:1 SHEET 3 OF 5 REV: C2

| REVISIONS | | | | |
|-----------|------|-------------|------|----------|
| P. | LTN. | DESCRIPTION | DATE | OWN APVD |
| - | - | SEE SHEET 1 | - | - |



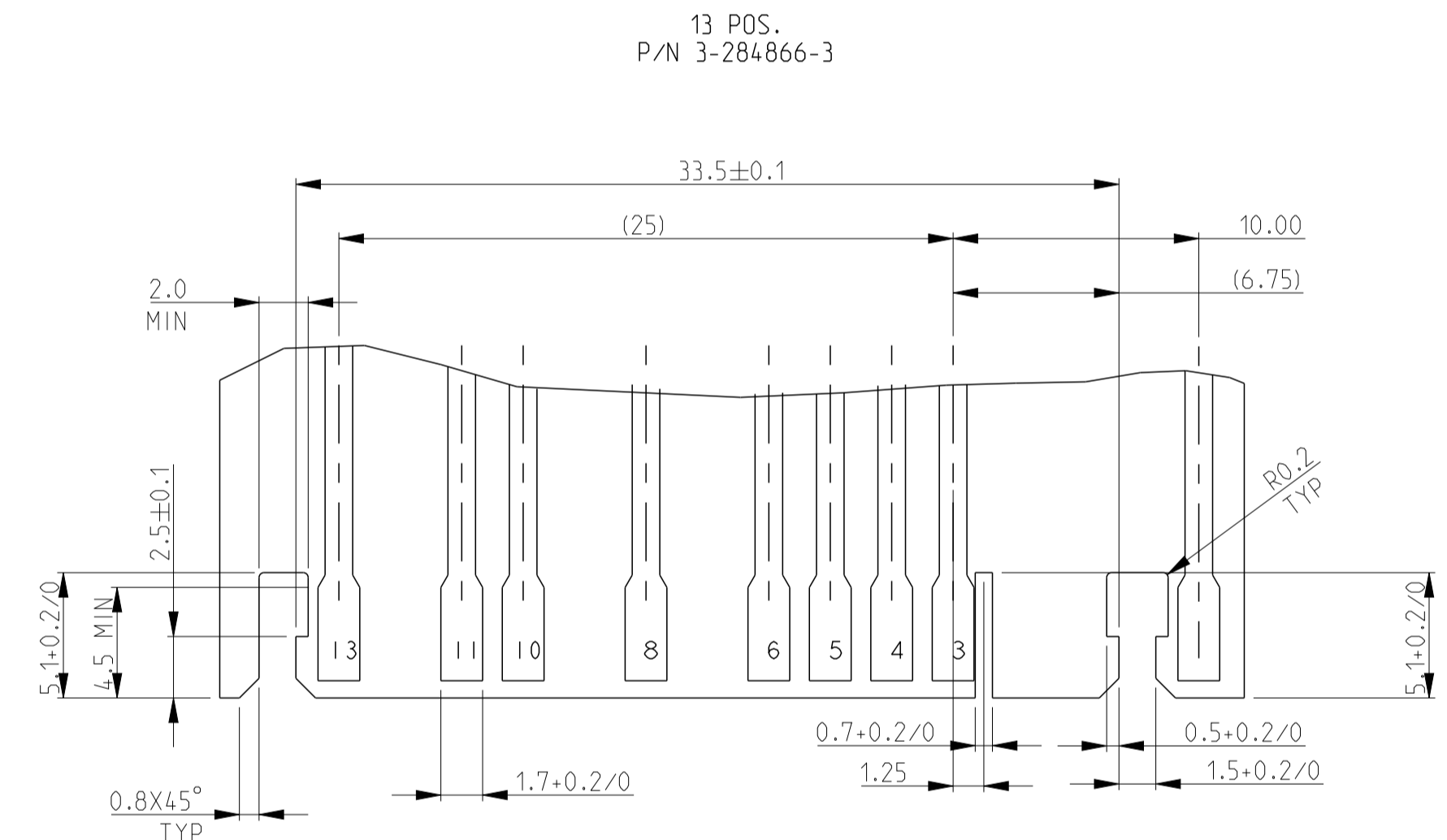
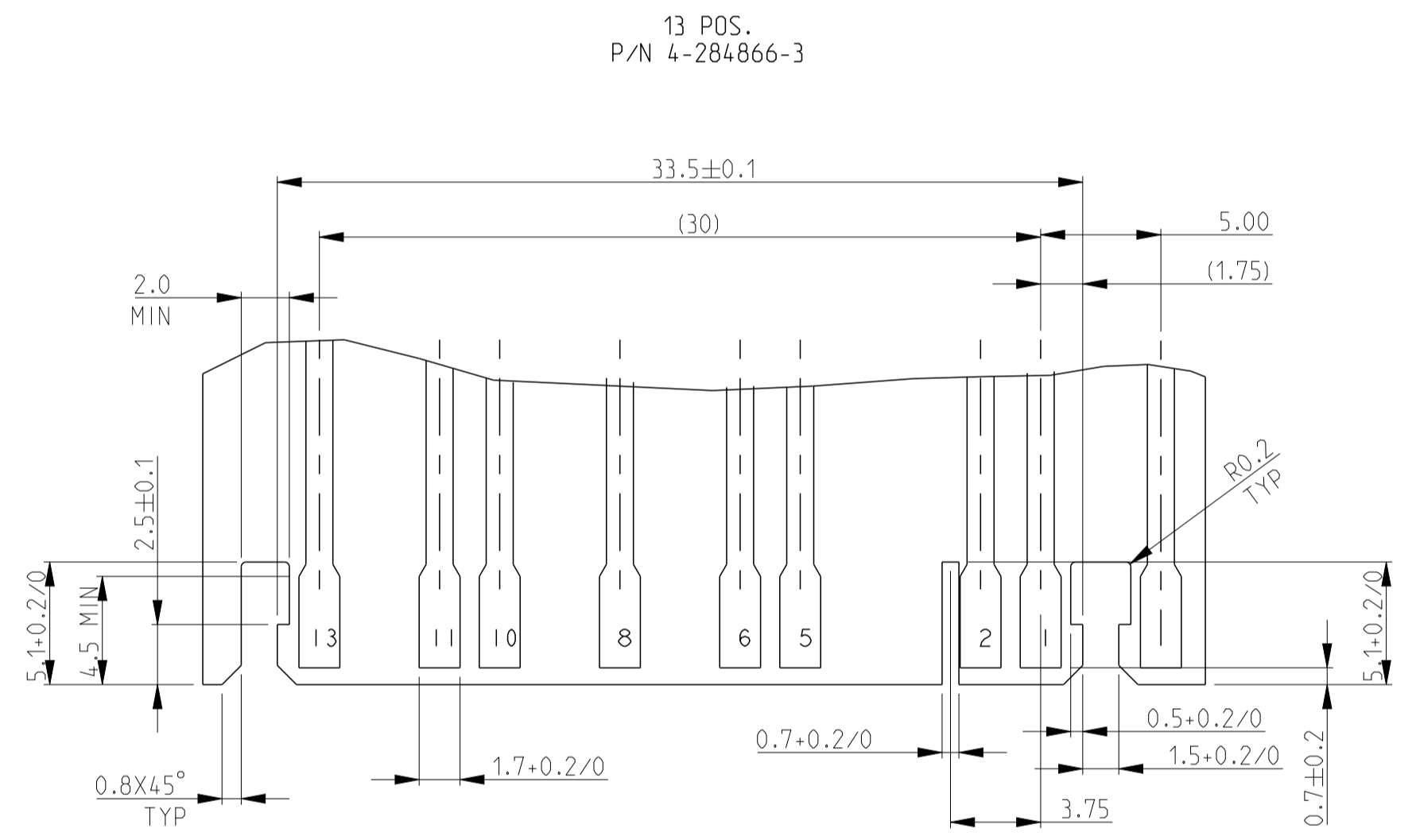
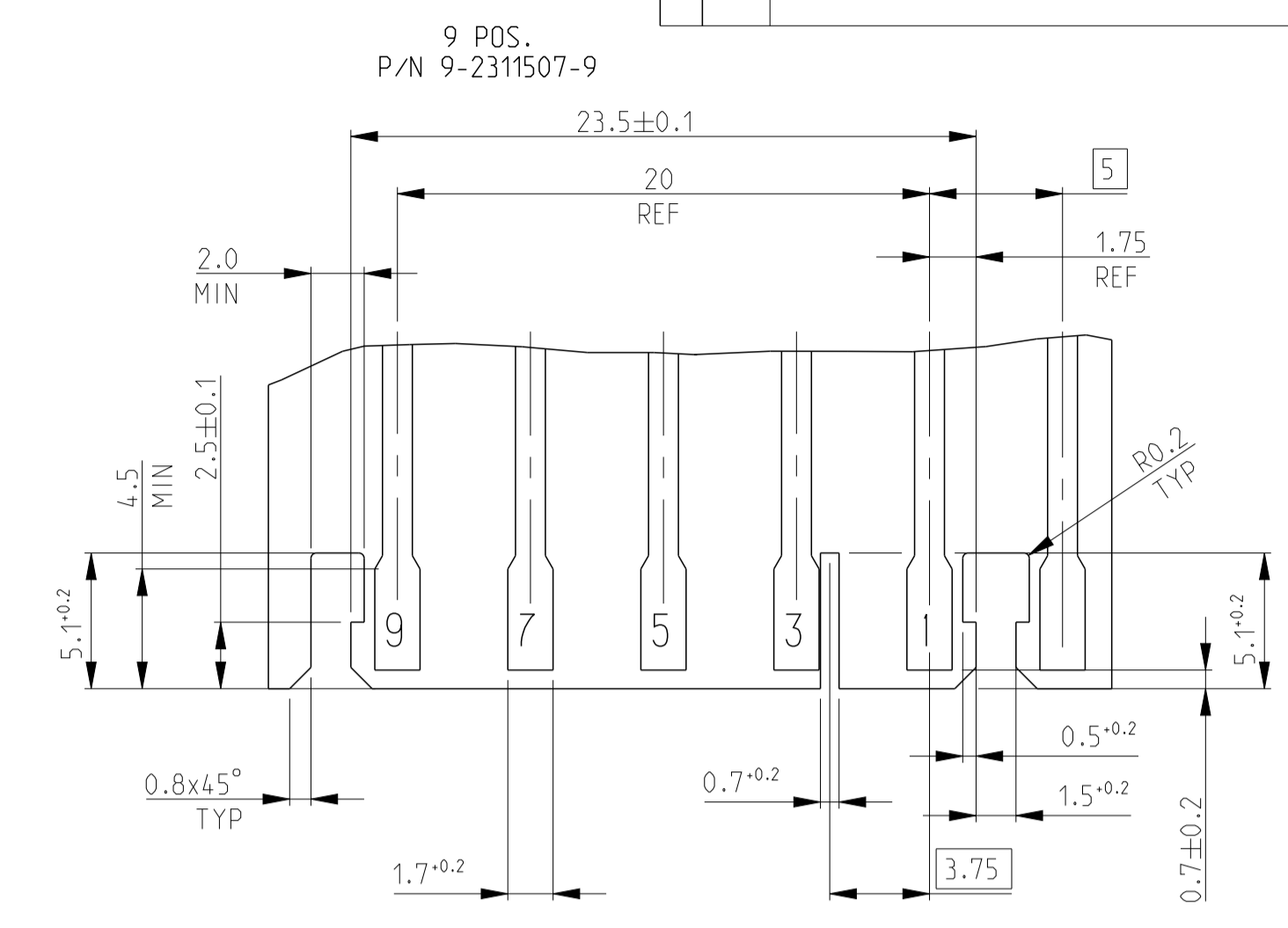
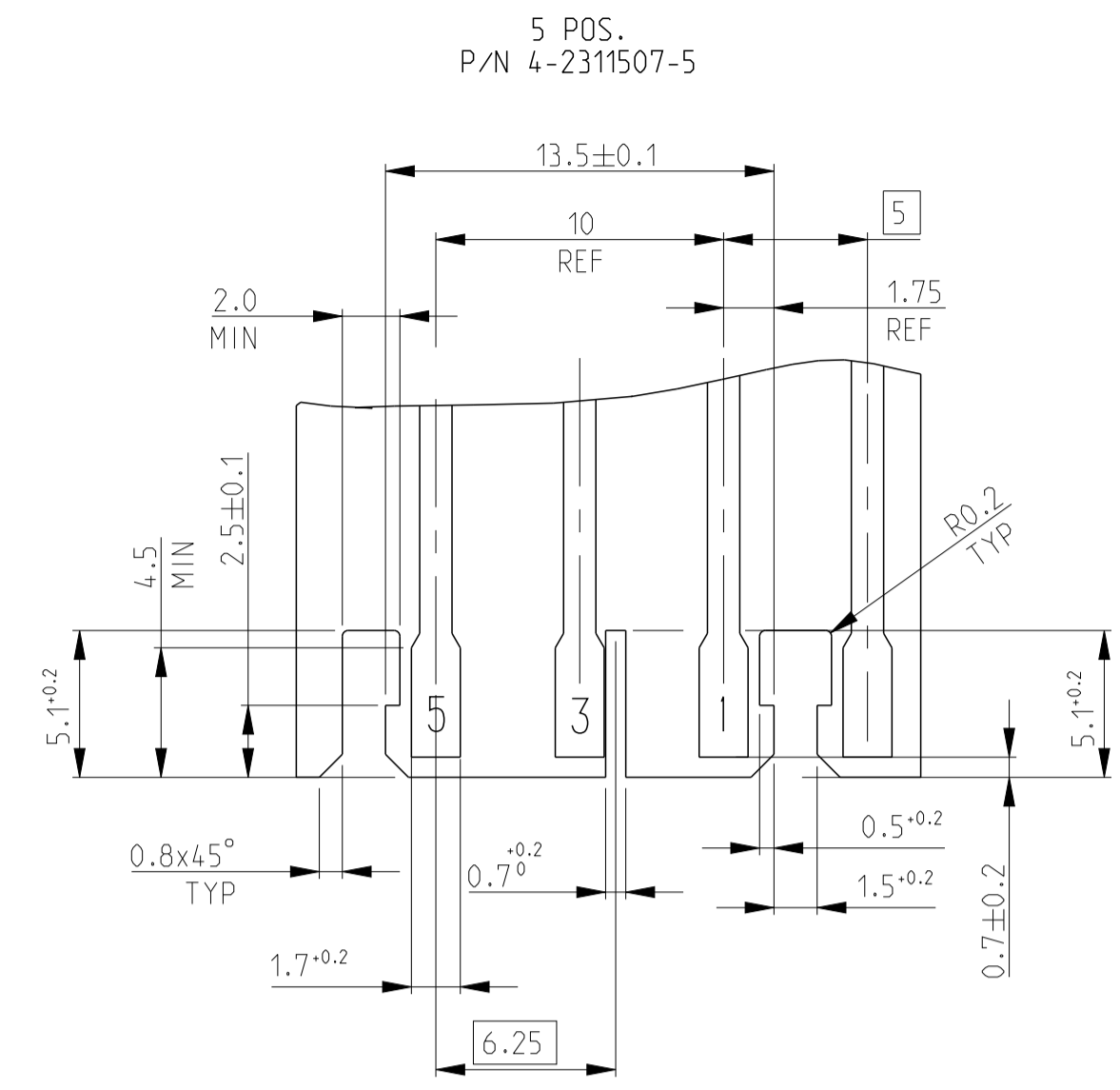
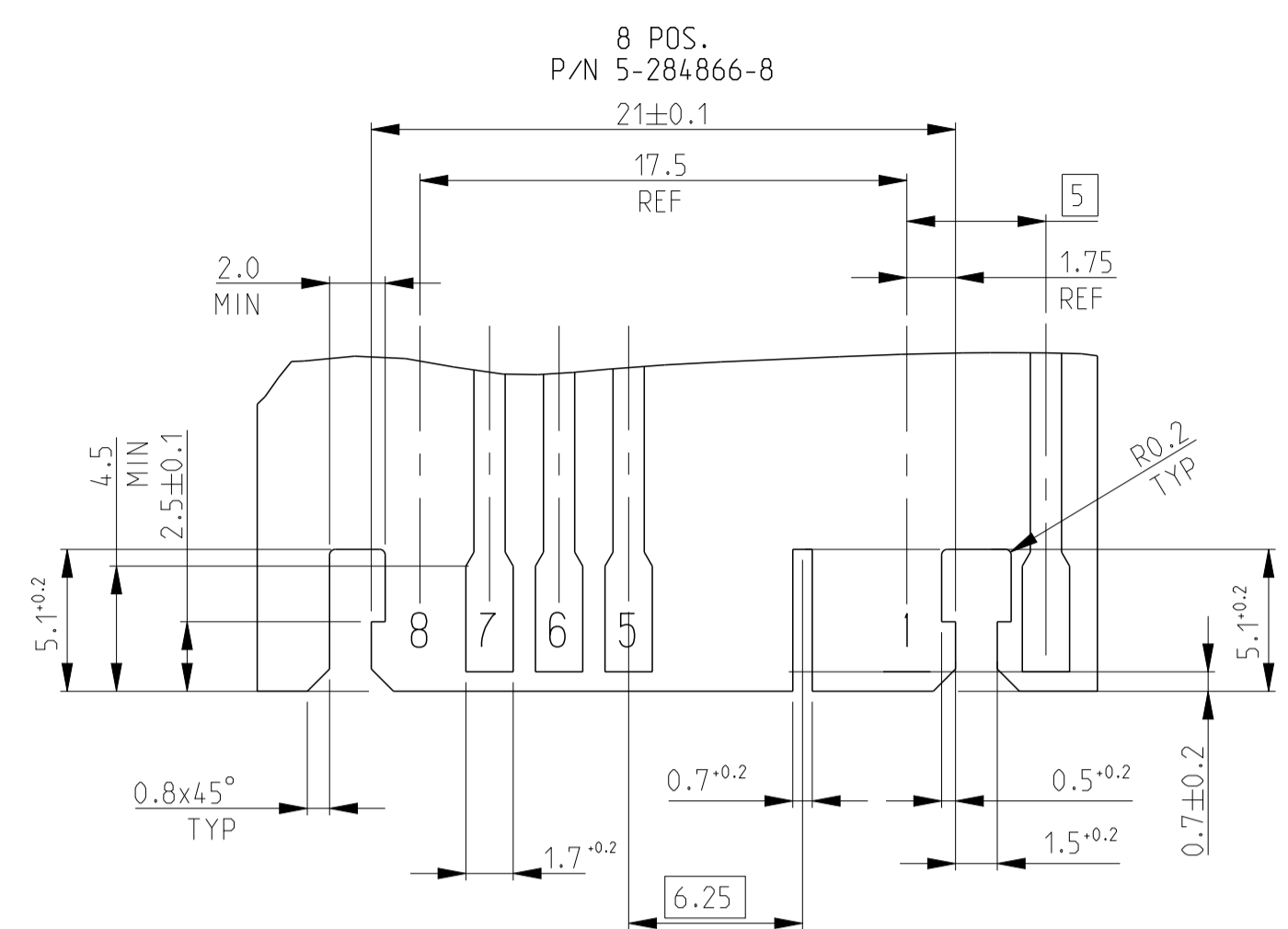
THIS DRAWING IS A CONTROLLED DOCUMENT. OWN: R. FABRIS 03JUL2002
 CHK: -
 DIMENSIONS: mm
 TOLERANCES UNLESS OTHERWISE SPECIFIED:
 0 PLC # # # # #
 1 PLC # # # # #
 2 PLC # # # # #
 3 PLC # # # # #
 4 PLC # # # # #
 ANGLES # # # # #
 MATERIAL: SEE TABLE FINISH: SEE TABLE
 WEIGHT: -
 CUSTOMER DRAWING

APVD: E. TURCO
 PRODUCT SPEC: 108-20238
 APPLICATION SPEC: 116-18049-1
 SIZE: A1
 CAGE CODE: 00779
 DRAWING NO: 284866

NAME: DUOPLUG 2.5 FEMALE CONN., SIDE LOCKING, KEYED (SELECTIVELY LOADED CONTACTS)
 TE Connectivity

SCALE: 10:1 SHEET: 4 OF 5 REV: C2

| REVISIONS | | | | |
|-----------|------|-------------|------|-------|
| P. | LTN. | DESCRIPTION | DATE | APVD. |
| - | - | SEE SHEET 1 | - | - |
| | | | | |
| | | | | |



| | | | |
|---|-------------------|---|--|
| THIS DRAWING IS A CONTROLLED DOCUMENT. | | OWN: R. FABRIS 03JUL2002 | TE Connectivity NAME: DUOPLUG 2.5 FEMALE CONN., SIDE LOCKING, KEYED (SELECTIVELY LOADED CONTACTS) SIZE: CAGE CODE DRAWING NO. RESTRICTED TO: A1 00779 ©=284866 - |
| DIMENSIONS: mm | | CHK: - | |
| TOLERANCES UNLESS OTHERWISE SPECIFIED: | | APVD: G. TURCO | |
| 0 PLC # # 1 PLC # # 2 PLC # # 3 PLC # # 4 PLC # # ANGLES # # FINISH # # | | PRODUCT SPEC: 108-20238 APPLICATION SPEC: 116-18049-1 WEIGHT: - CUSTOMER DRAWING | |
| MATERIAL: SEE TABLE | FINISH: SEE TABLE | SCALE: 10:1 | SHEET 5 OF 5 REV: C2 |

X-ON Electronics

Largest Supplier of Electrical and Electronic Components

Click to view similar products for [Standard Card Edge Connectors](#) category:

Click to view products by [TE Connectivity](#) manufacturer:

Other Similar products are found below :

[6565204-6](#) [PKC-156](#) [1437274-4](#) [147889-1](#) [1489165-4](#) [EBT156-12B1X](#) [EBT15622B2X](#) [EBT156-22R2W](#) [1-582587-1](#) [1-582589-1](#) [2-6437275-9](#) [284-0102-12100](#) [306022901000000](#) [307-012-502-202](#) [307-024-526-201](#) [307-056-520-300](#) [307-080-526-208](#) [245-062-520-350](#) [287-0032-12101](#) [306-010-500-112](#) [306-028-525-102](#) [306-240-318](#) [307-036-502-202](#) [307-036-521-301](#) [307-072-526-202](#) [345-060-559-303](#) [368-004-520-201](#) [392-008-559-201](#) [534671-1](#) [5-530501-5](#) [341-240-317](#) [345-029-520-300](#) [345-030-500-301](#) [345-044-500-300](#) [345-220-058](#) [346-240-318](#) [357-030-526-201](#) [387-012-523-300](#) [395-044-520-300](#) [395-100-524-300](#) [50-12B-10](#) [50-6SN-5](#) [09-07-2032](#) [10035388-106LF](#) [10035388-802LF](#) [10122859-009LF](#) [10127905-B04B24BLF](#) [530555-1](#) [EBT156-15A2X](#) [2007209-1](#)