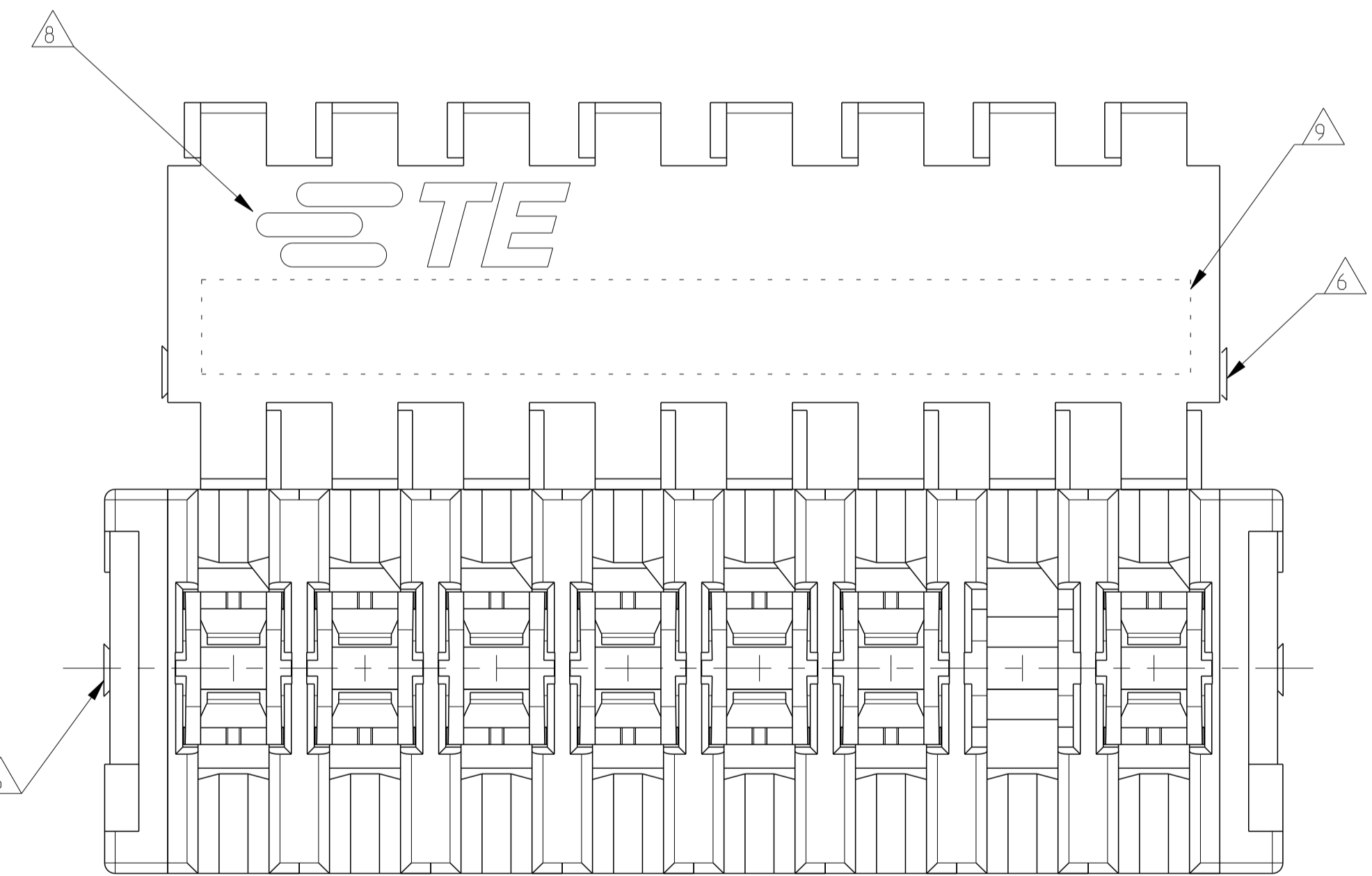
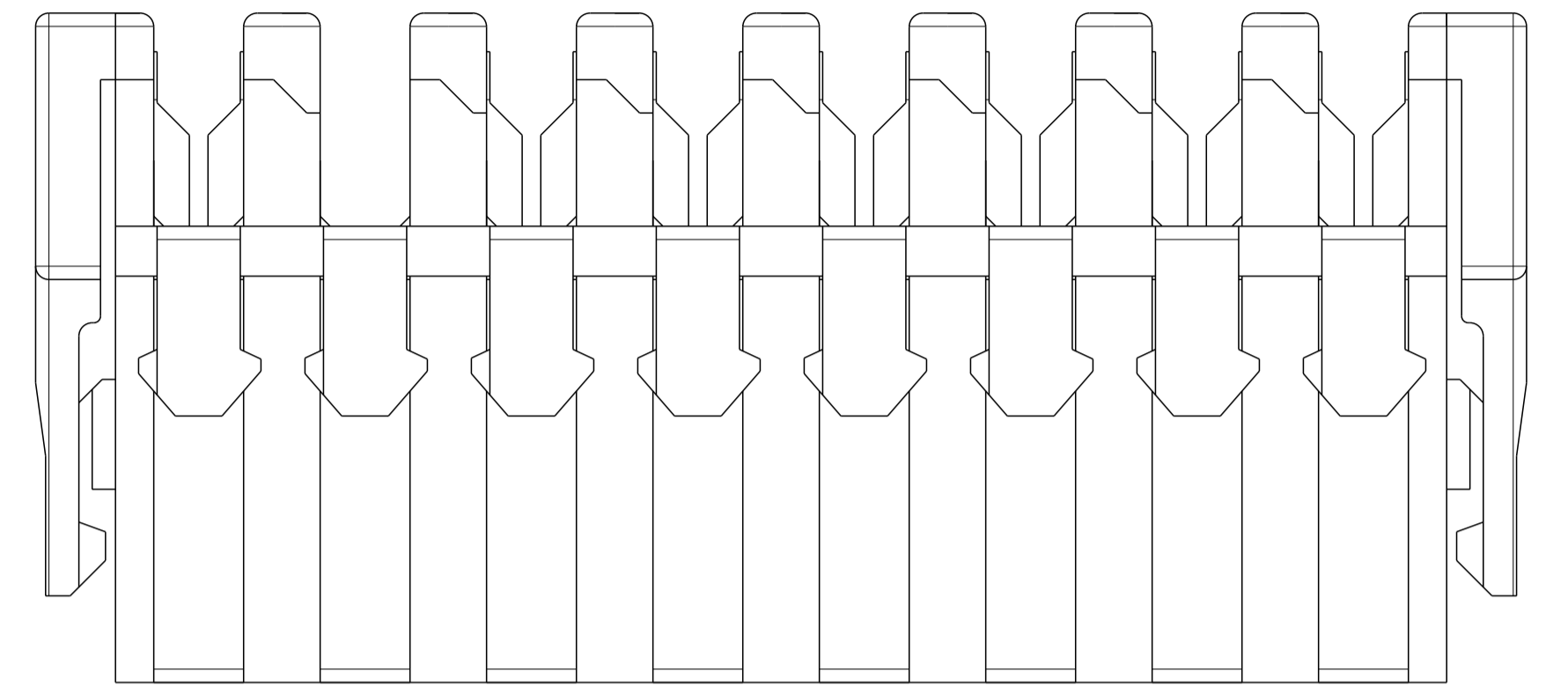
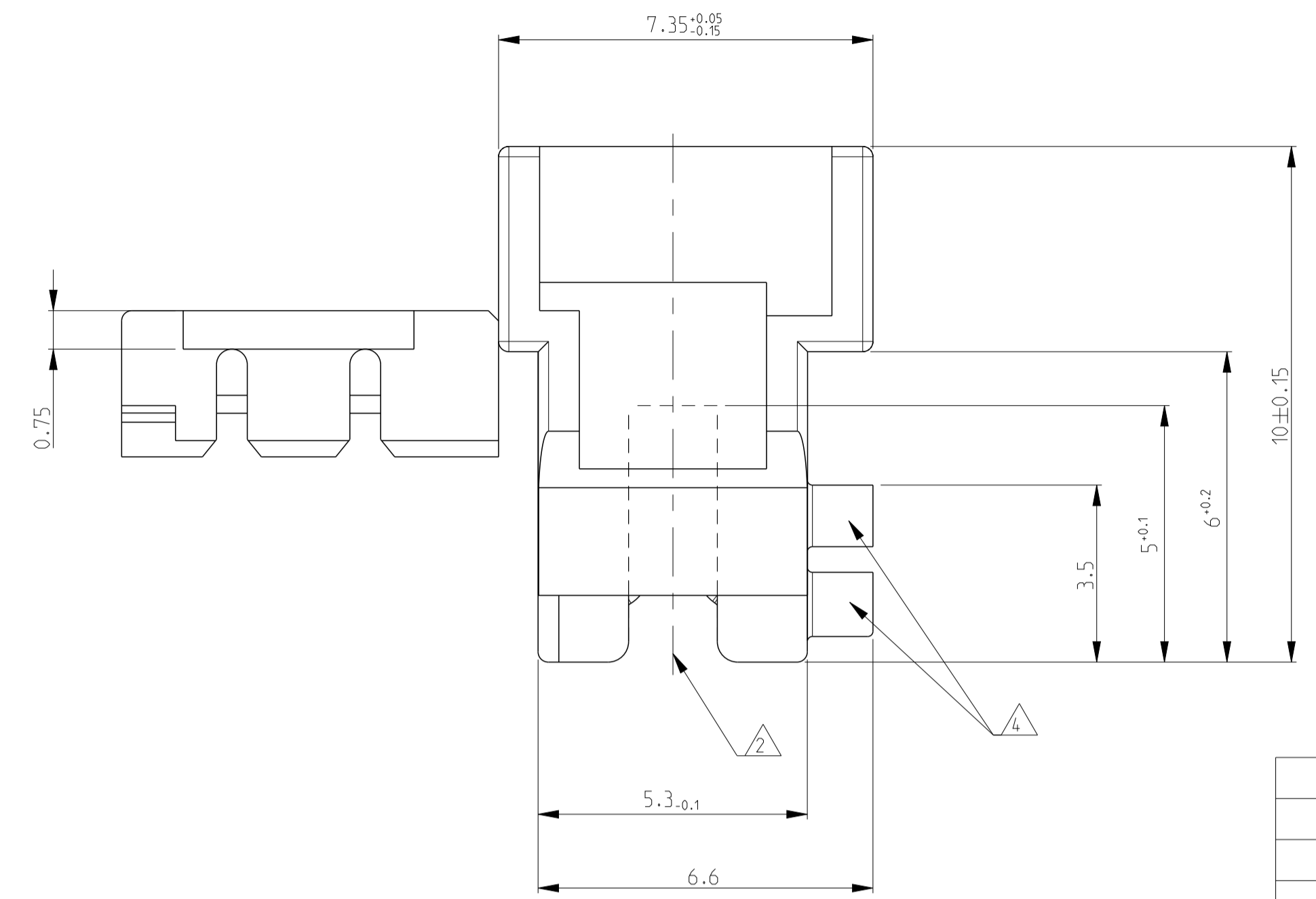
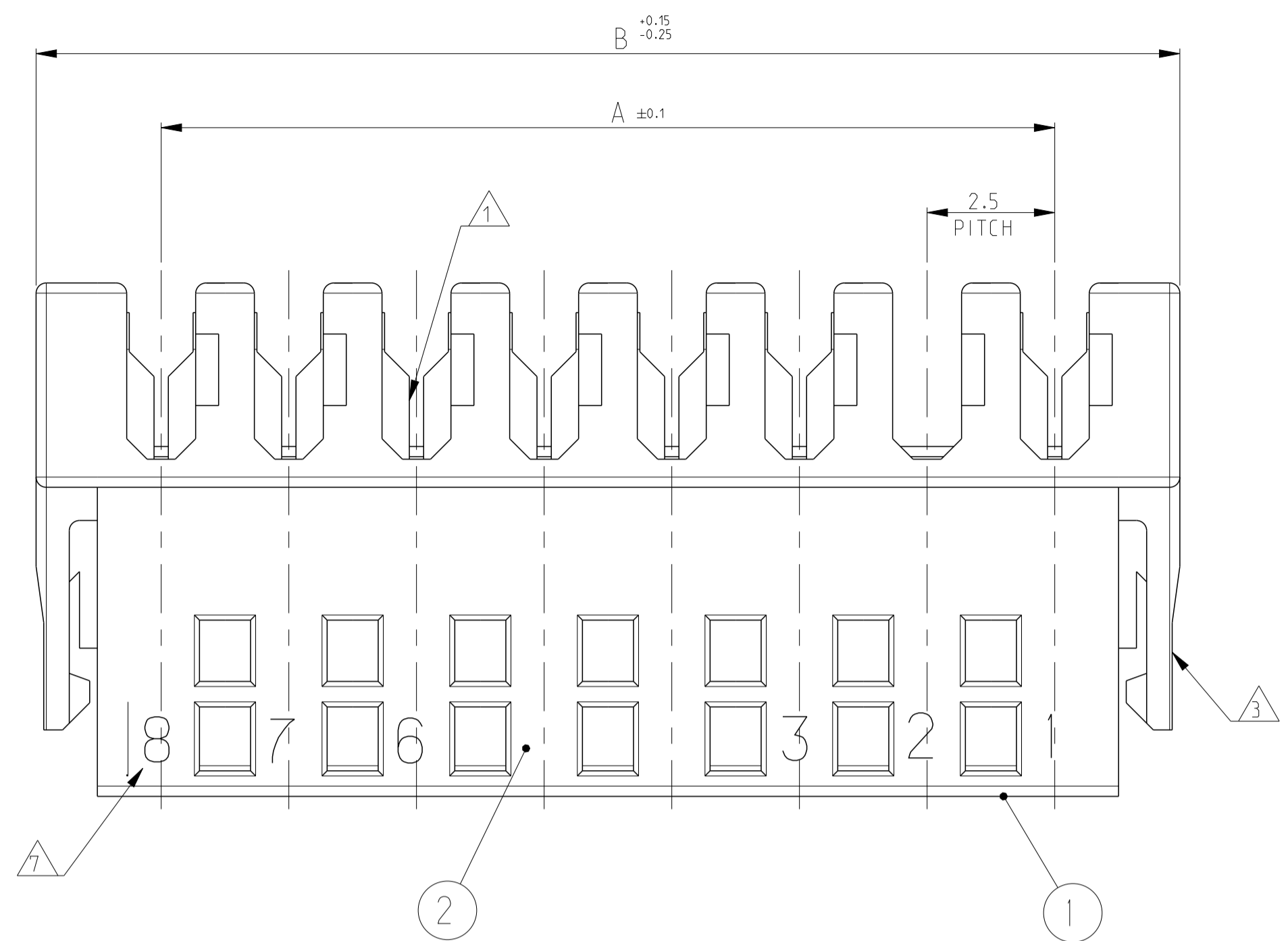
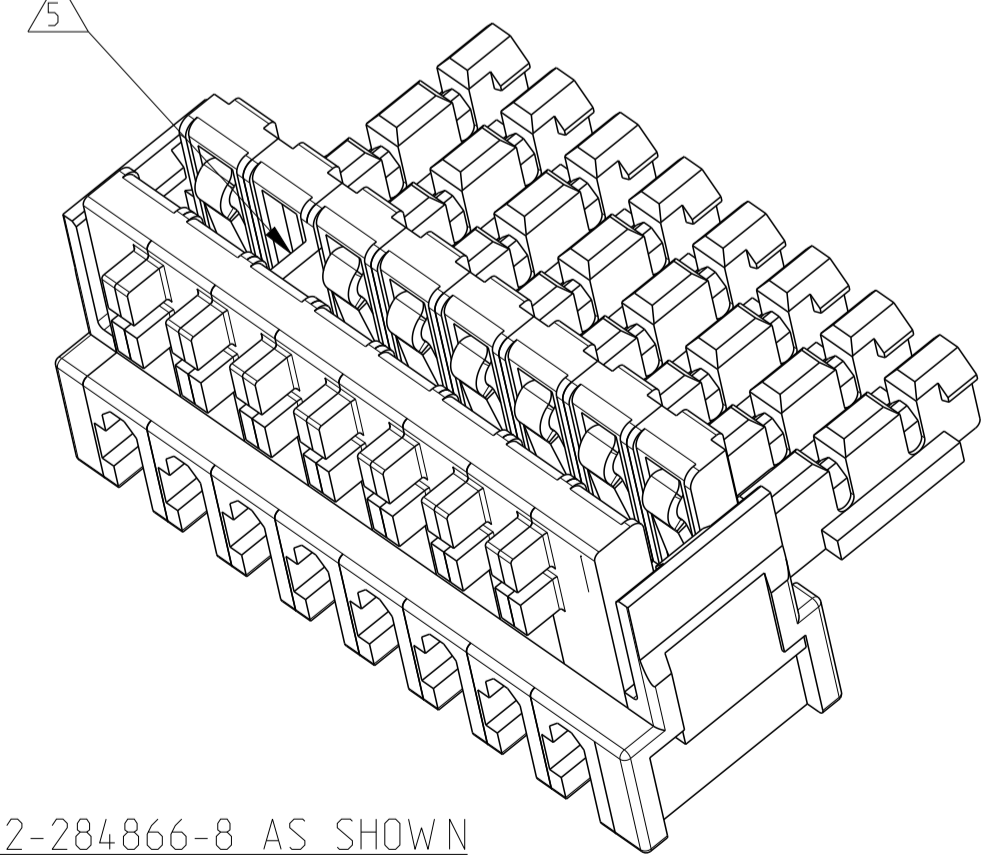


REVISIONS				
P.	LTN.	DESCRIPTION	DATE	APPV.
C2		ECR-20-001662	12FEB2020	LZ FL
C3		ECR-20-012981	23SEP2020	SM FL



- 1 WIRE RANGE : STRANDED 0.22-0.35 mm² (INS. DIA. 1.30±0.1)
- 2 MATING PART: P.C.B. EDGE, DOUBLE SIDE, THK 1.5 (COPPER CLADDING INCLUDED)
- 3 SIDE LOCKING DEVICE
- 4 KEYING RIBS TO BE REMOVED BY TERMINATION MACHINE
- 5 POLARIZATION RIBS BETWEEN CAVITIES
- 6 CUT OFF DIMENSION DUE TO PRODUCTION PROCESS
- 7 CIRCUIT No. IDENTIFICATION
- 8 TE TRADEMARK (OPTIONAL POSITION)
- 9 TAMPOGRAPHIC COLOUR CODE AREA (P/Ns IDENTIFICATION BEFORE CRIMPING AREA)
- 10 FOR PCB LAYOUT, SEE SHEET 2
FOR CONNECTION VIEW LAYOUT, SEE SHEET 2
- 11 PRELIMINARY NOT YET RELEASED FOR PRODUCTION
- 12 PBT GF
- 13 PBT GF, UL94-V0 & GWEP7 750 NO-FLAME, NATURAL



P/N 2-284866-8 AS SHOWN

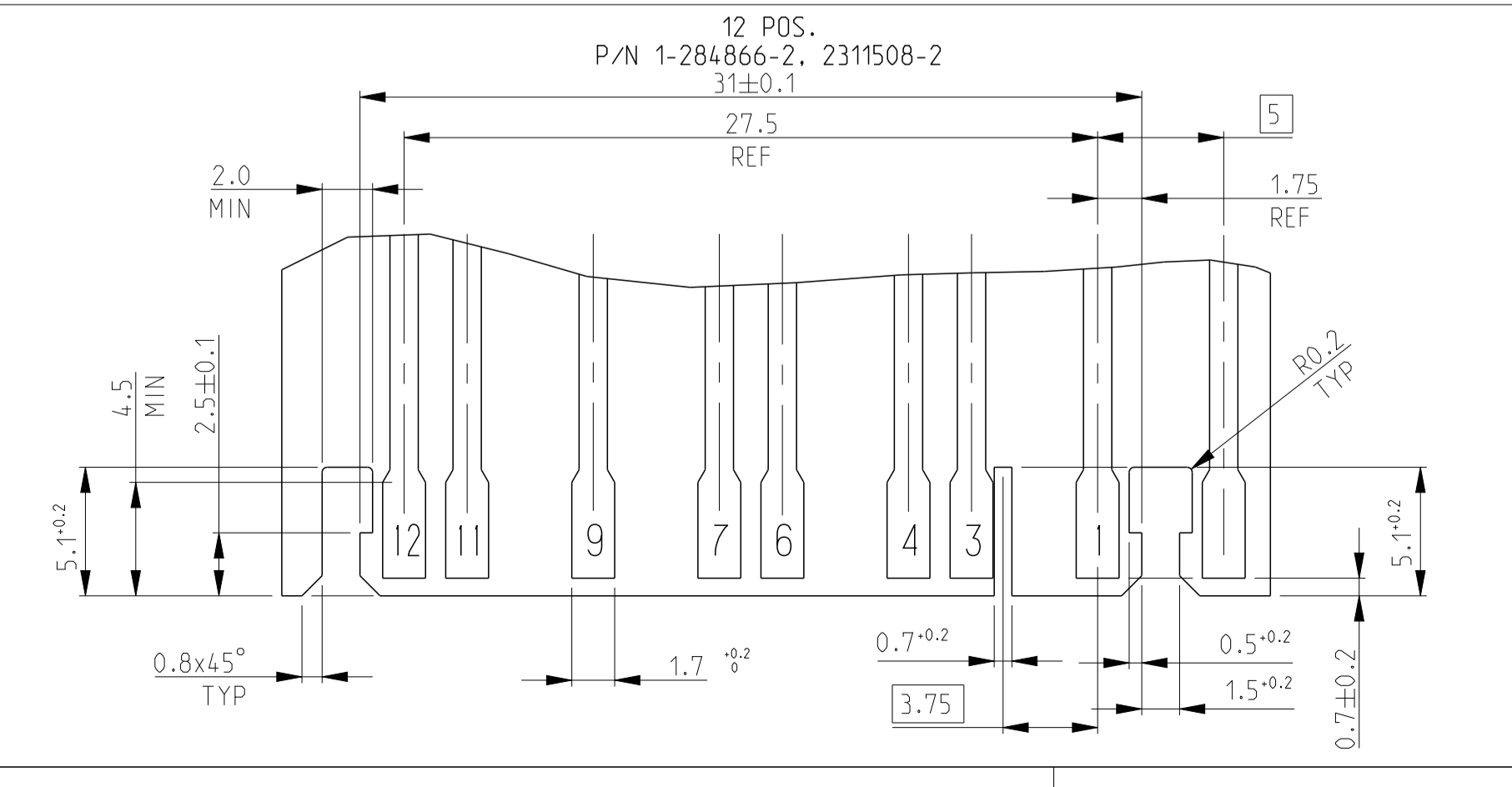
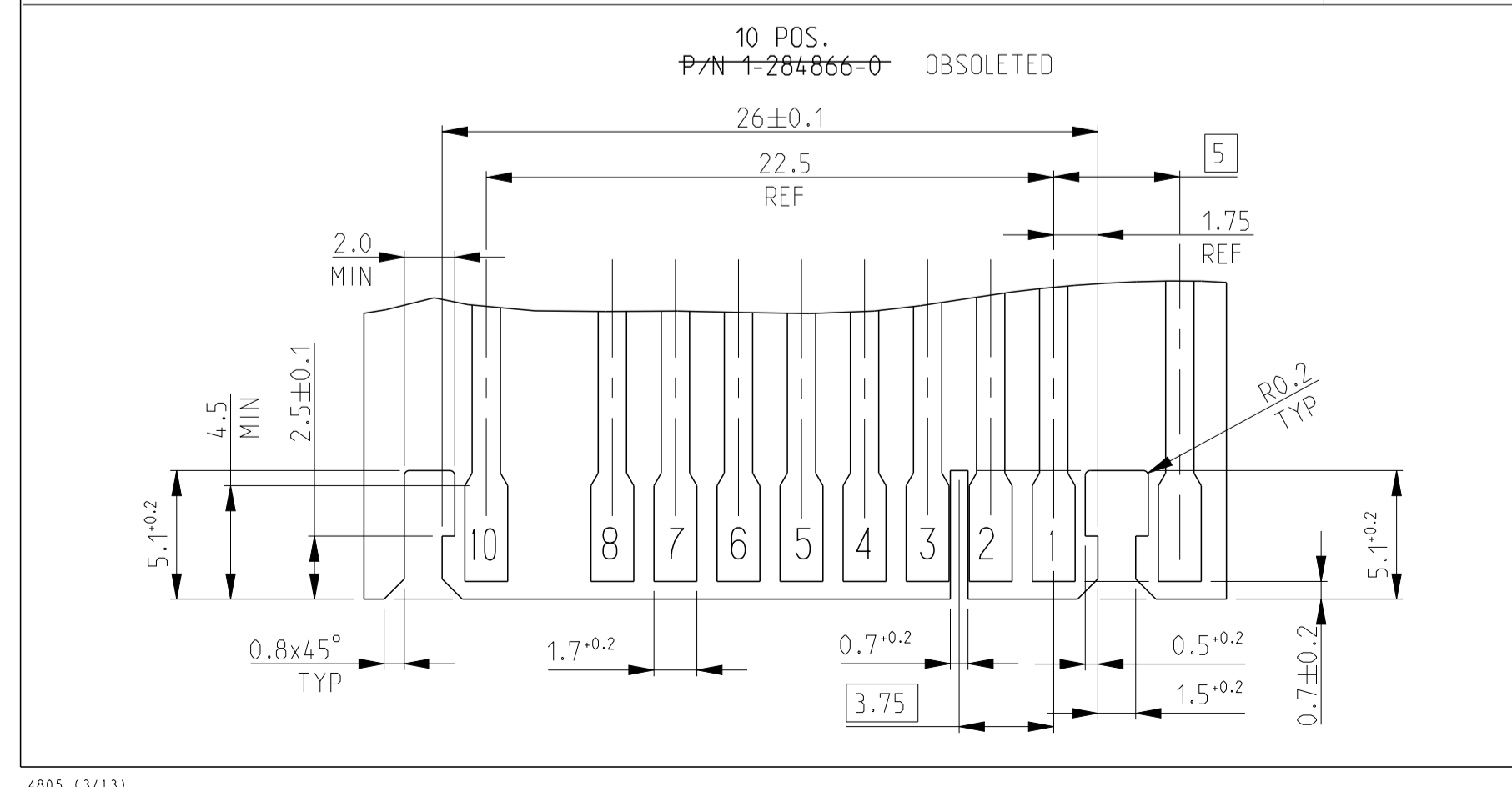
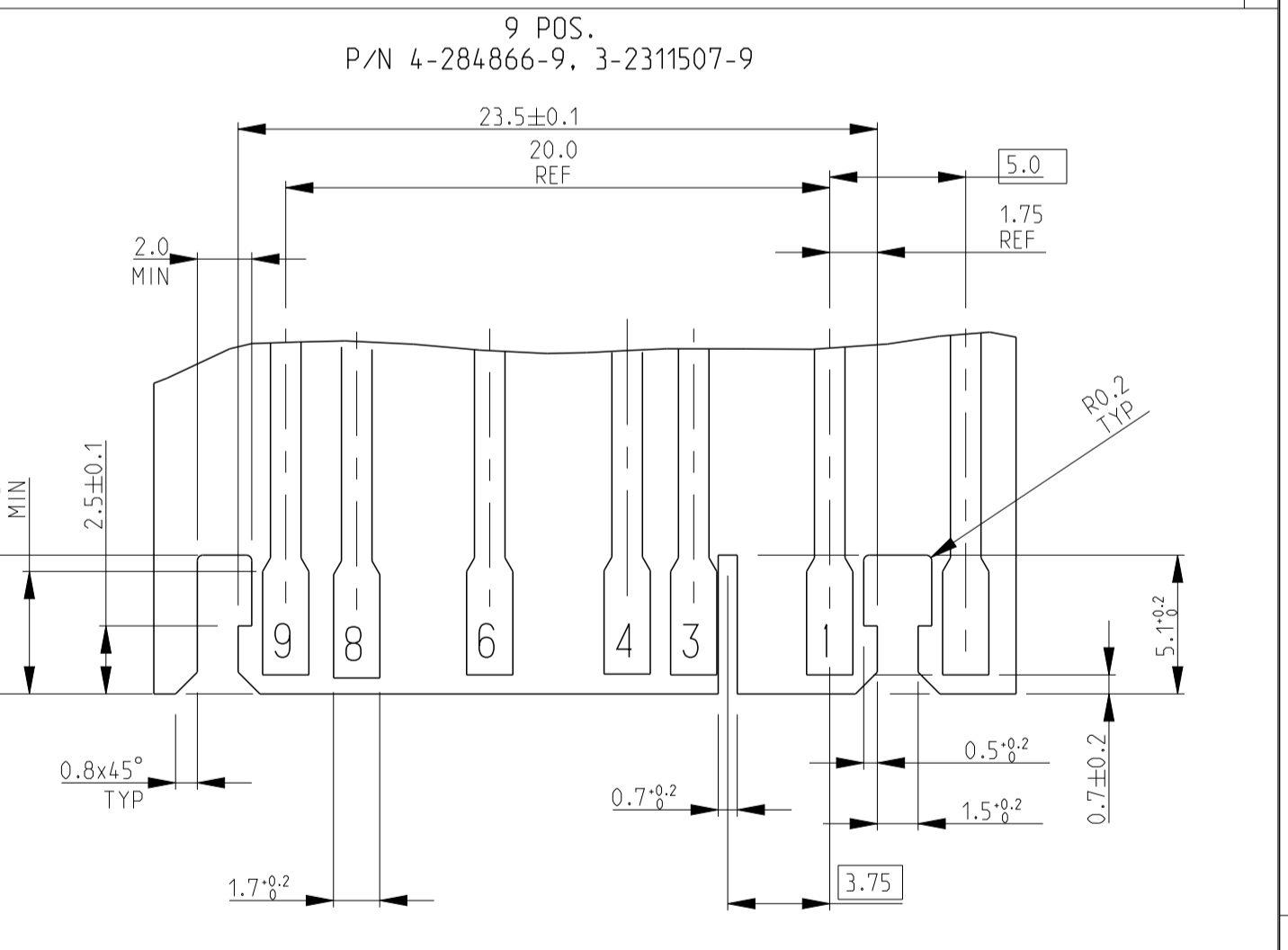
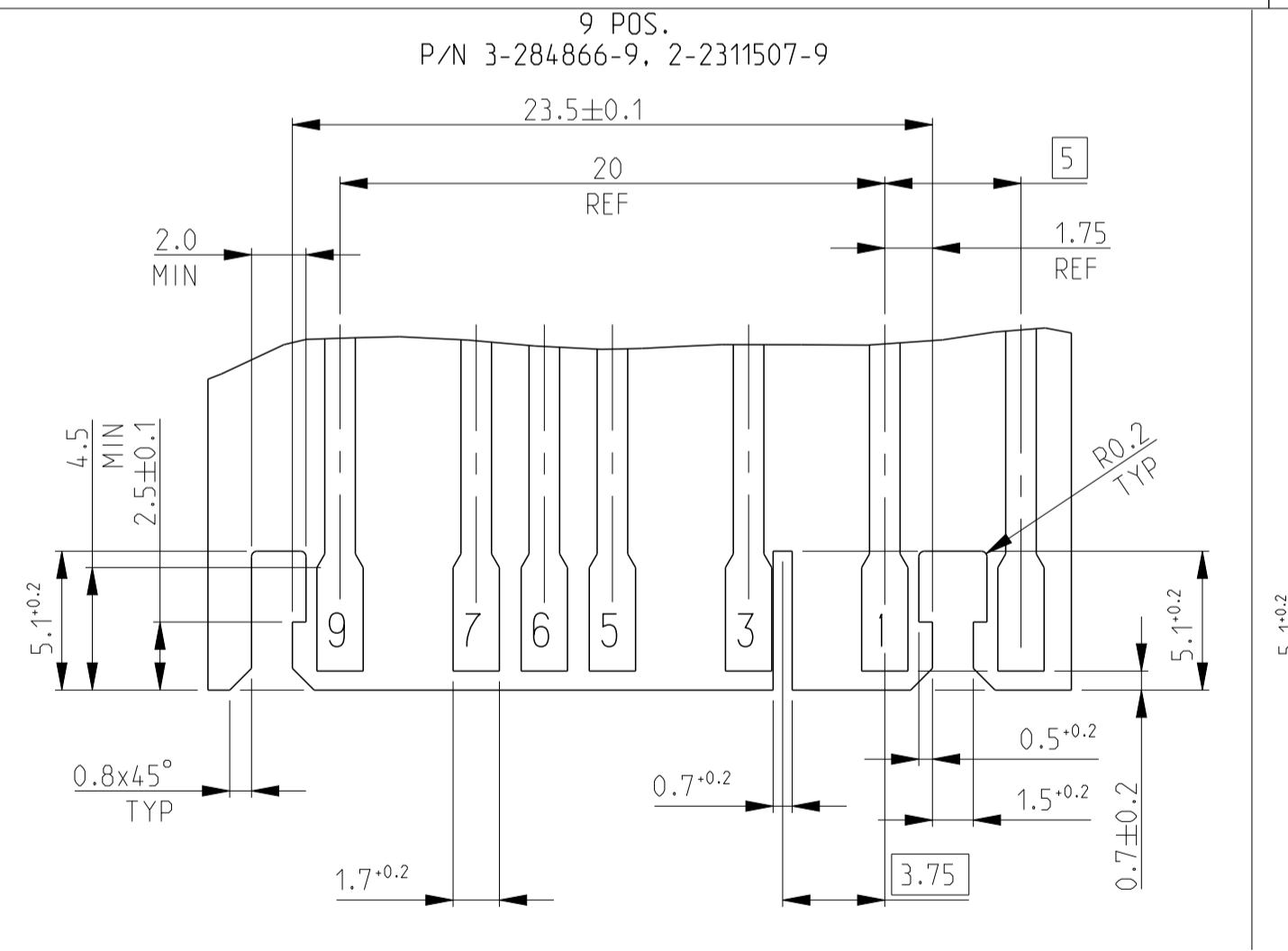
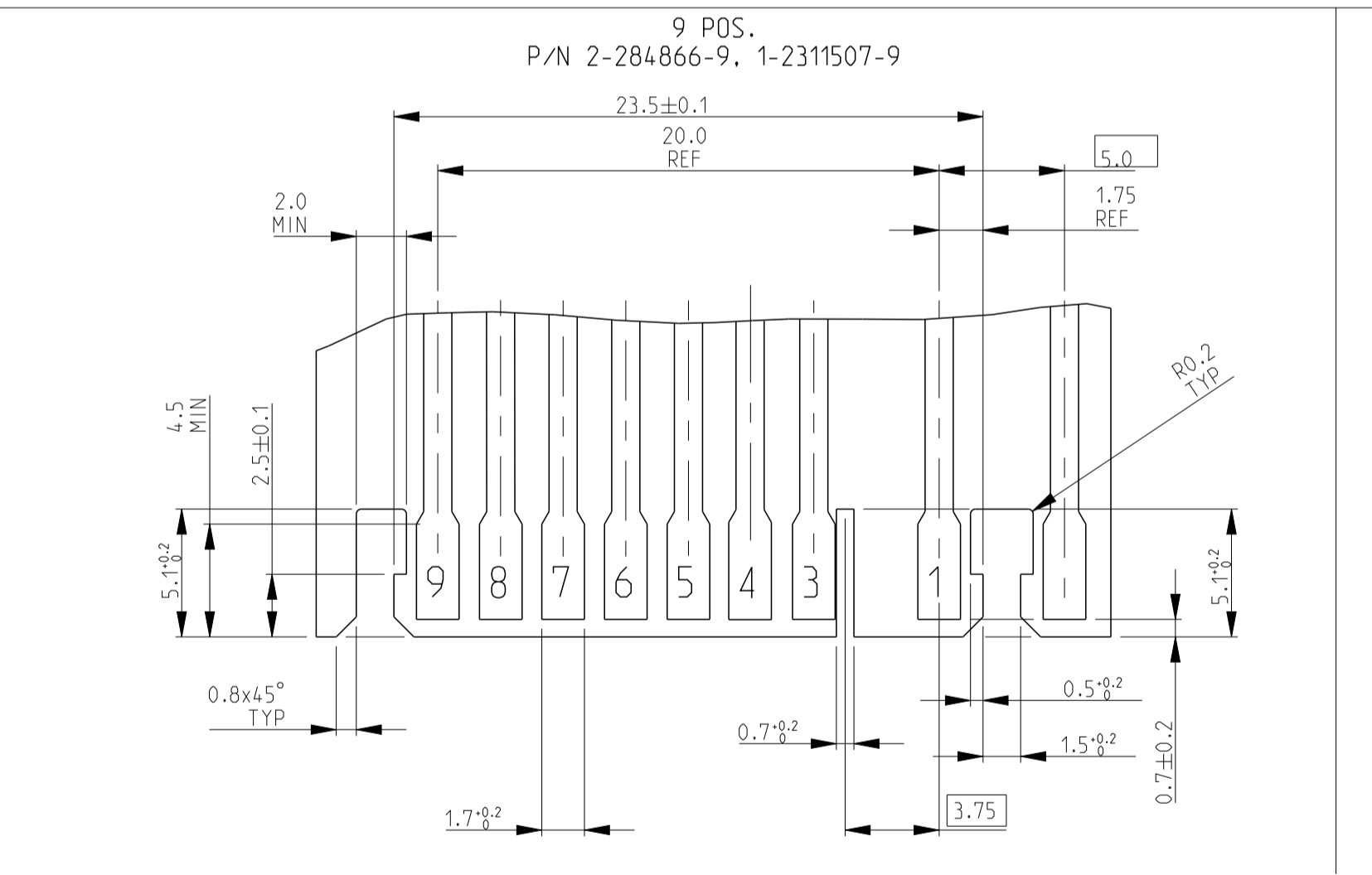
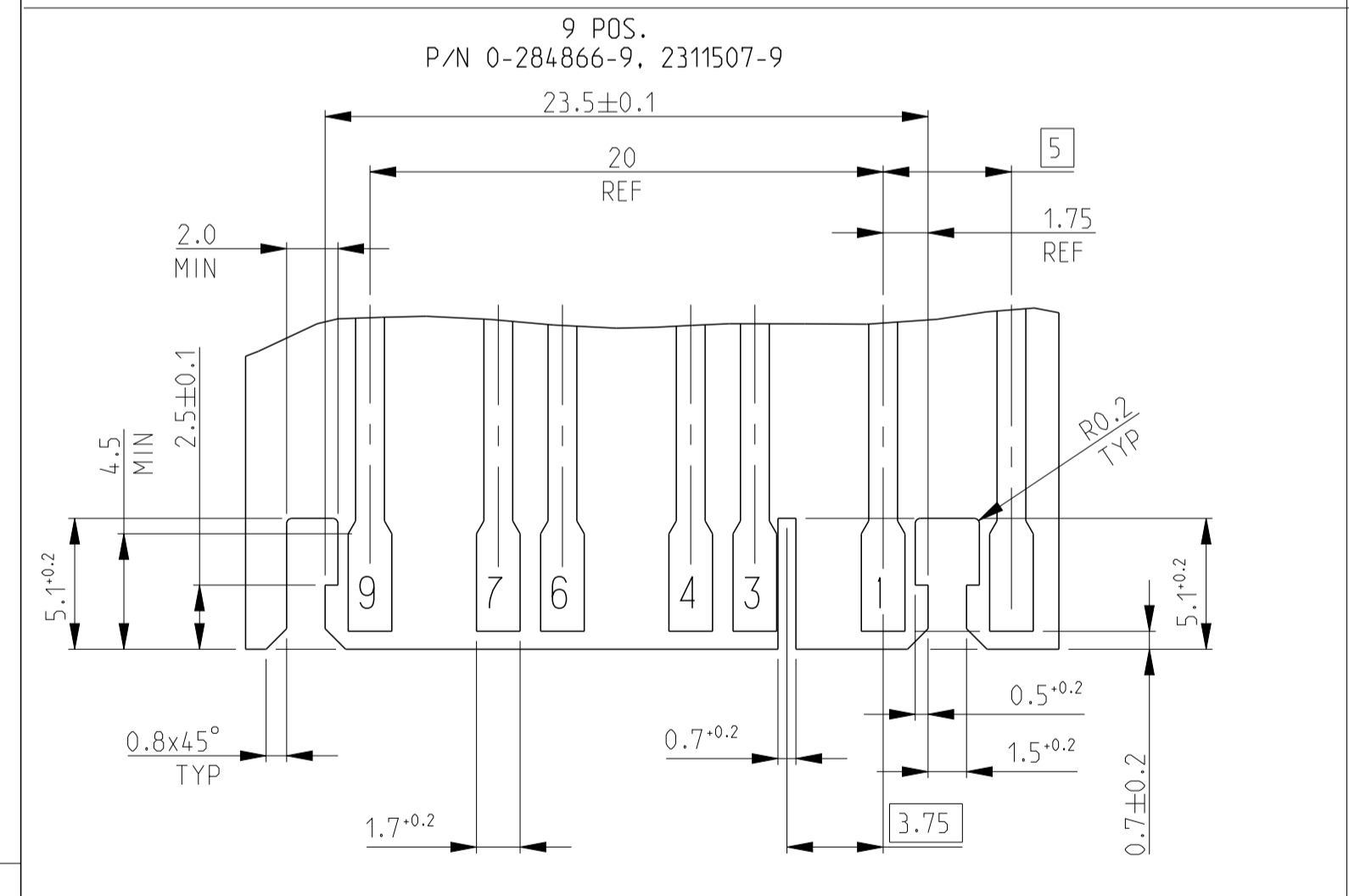
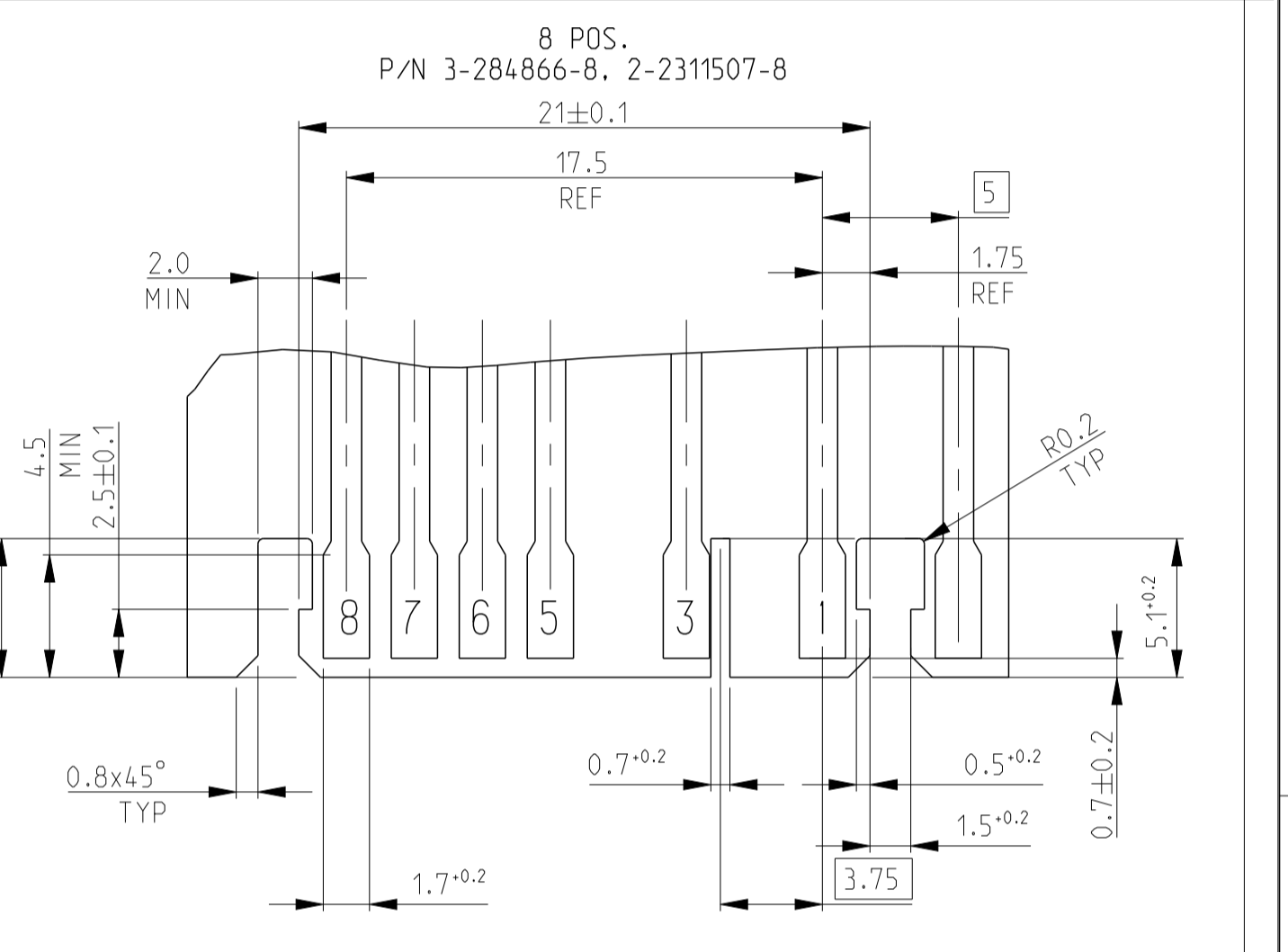
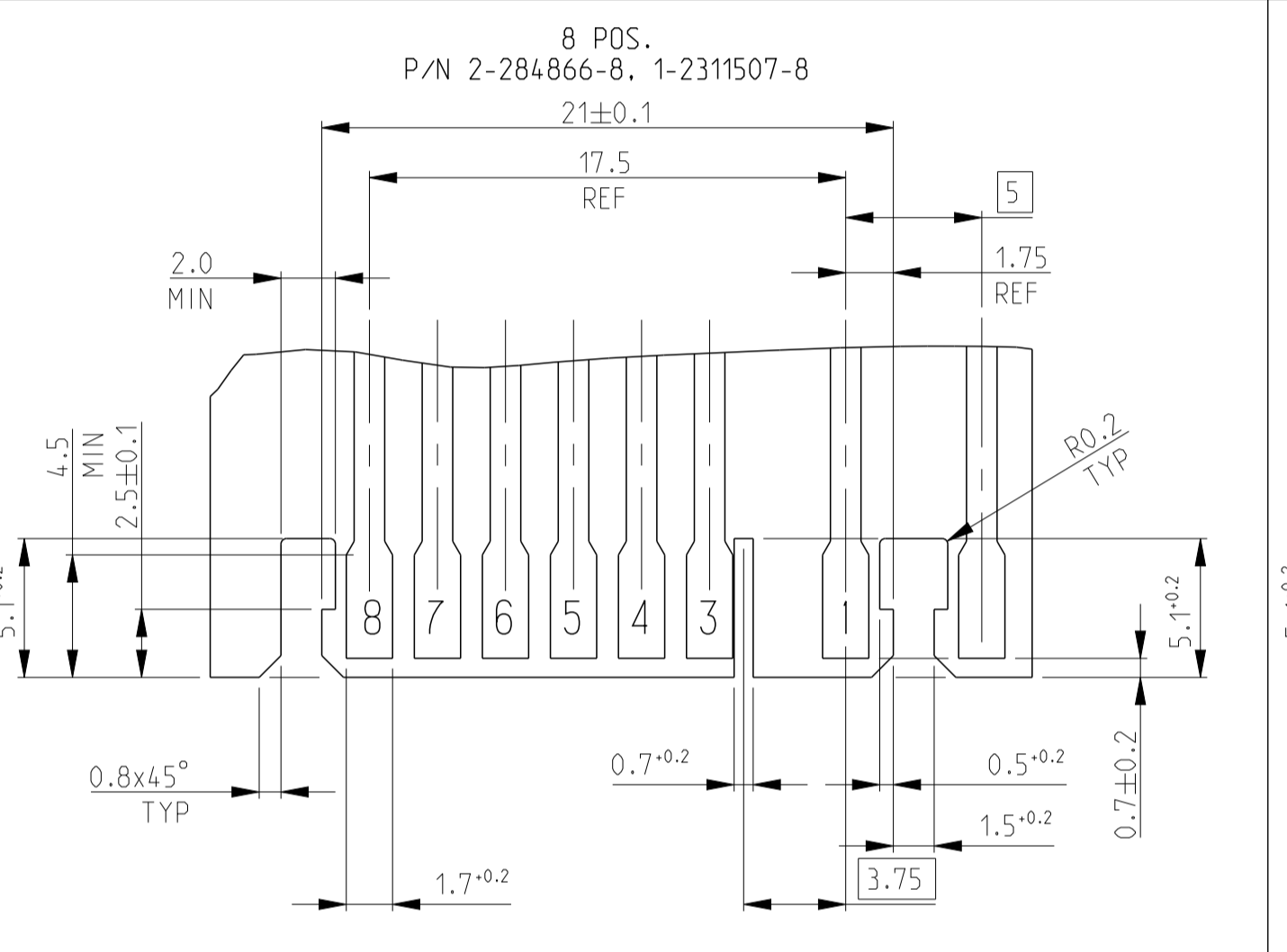
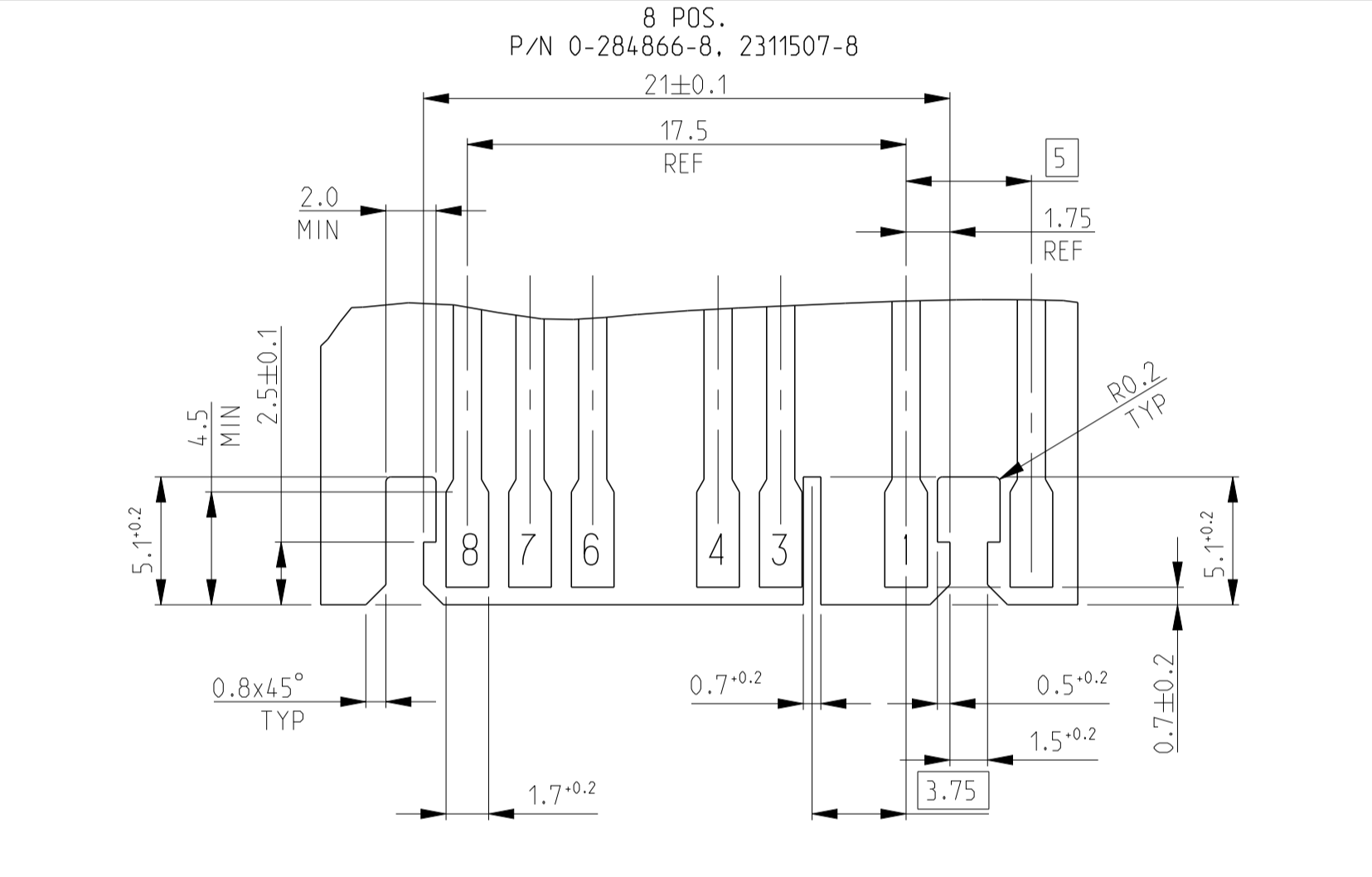
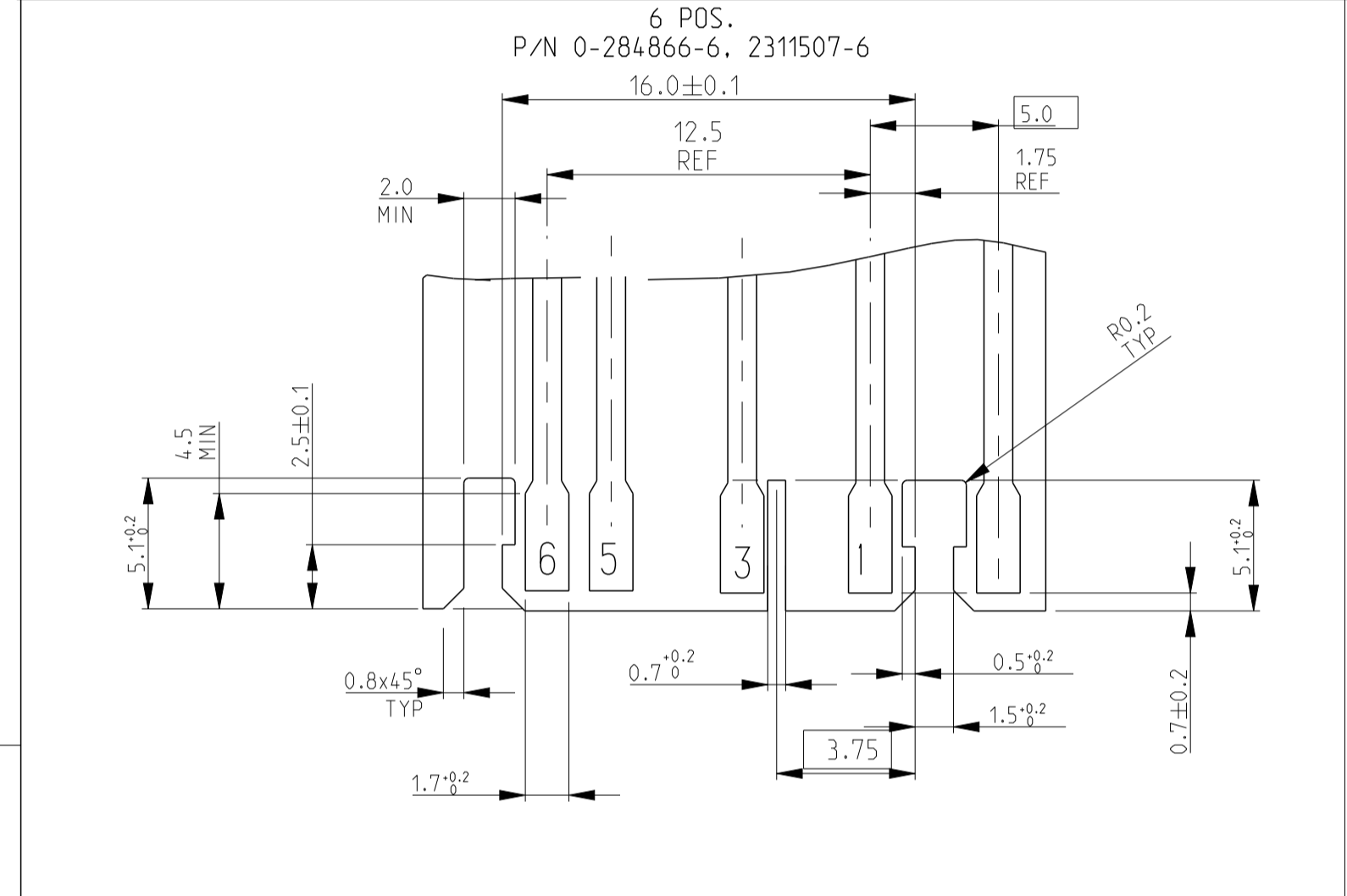
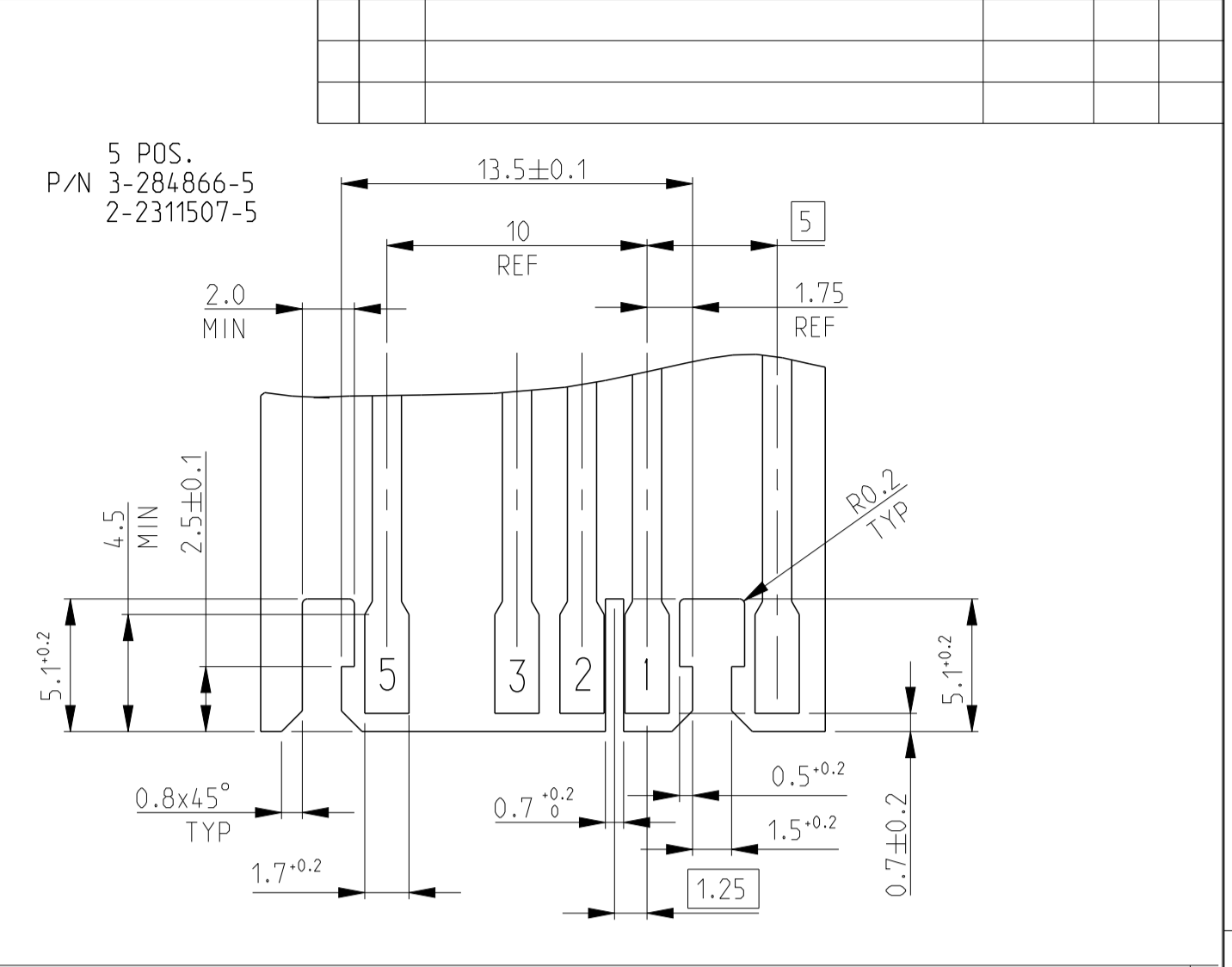
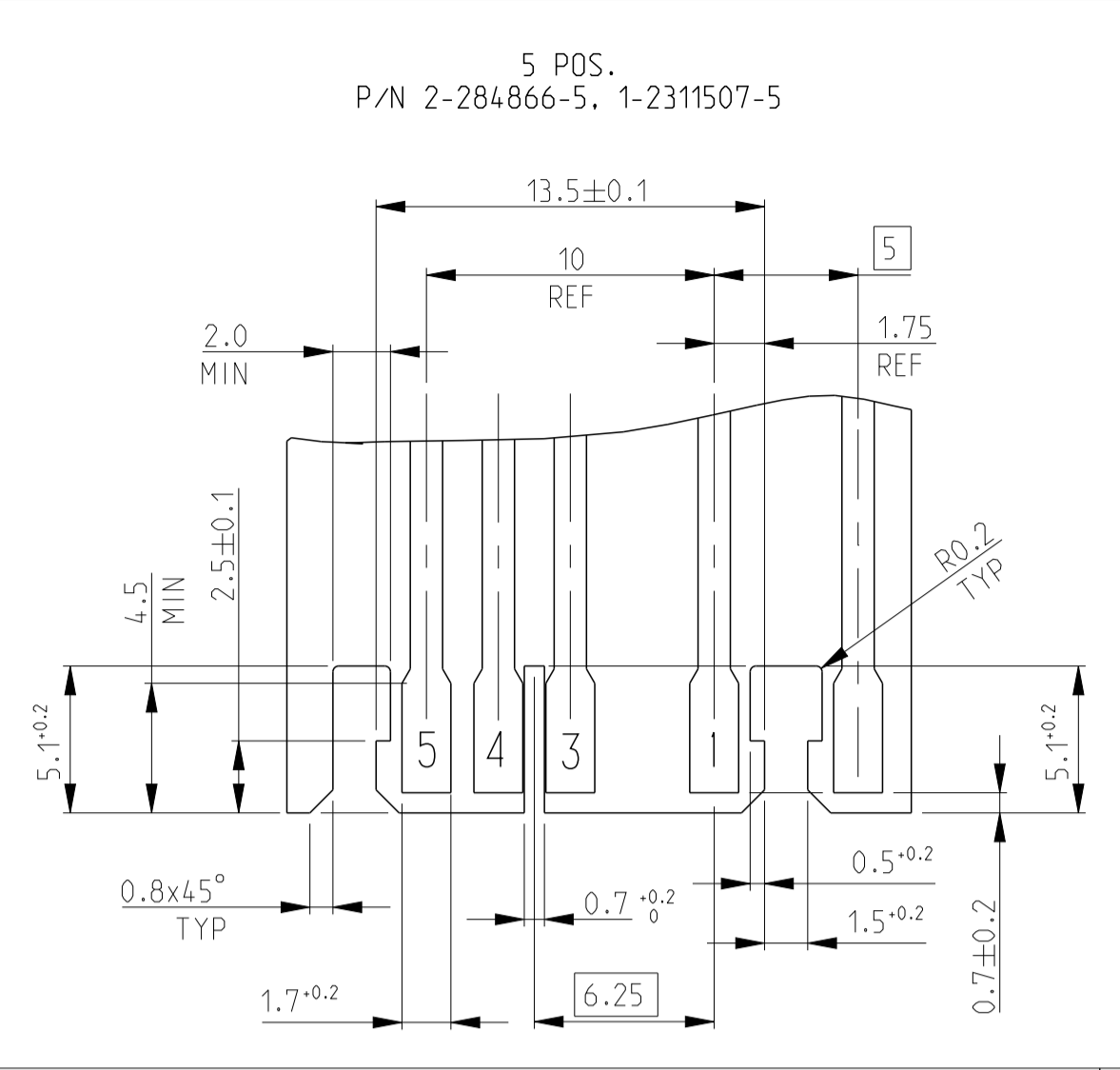
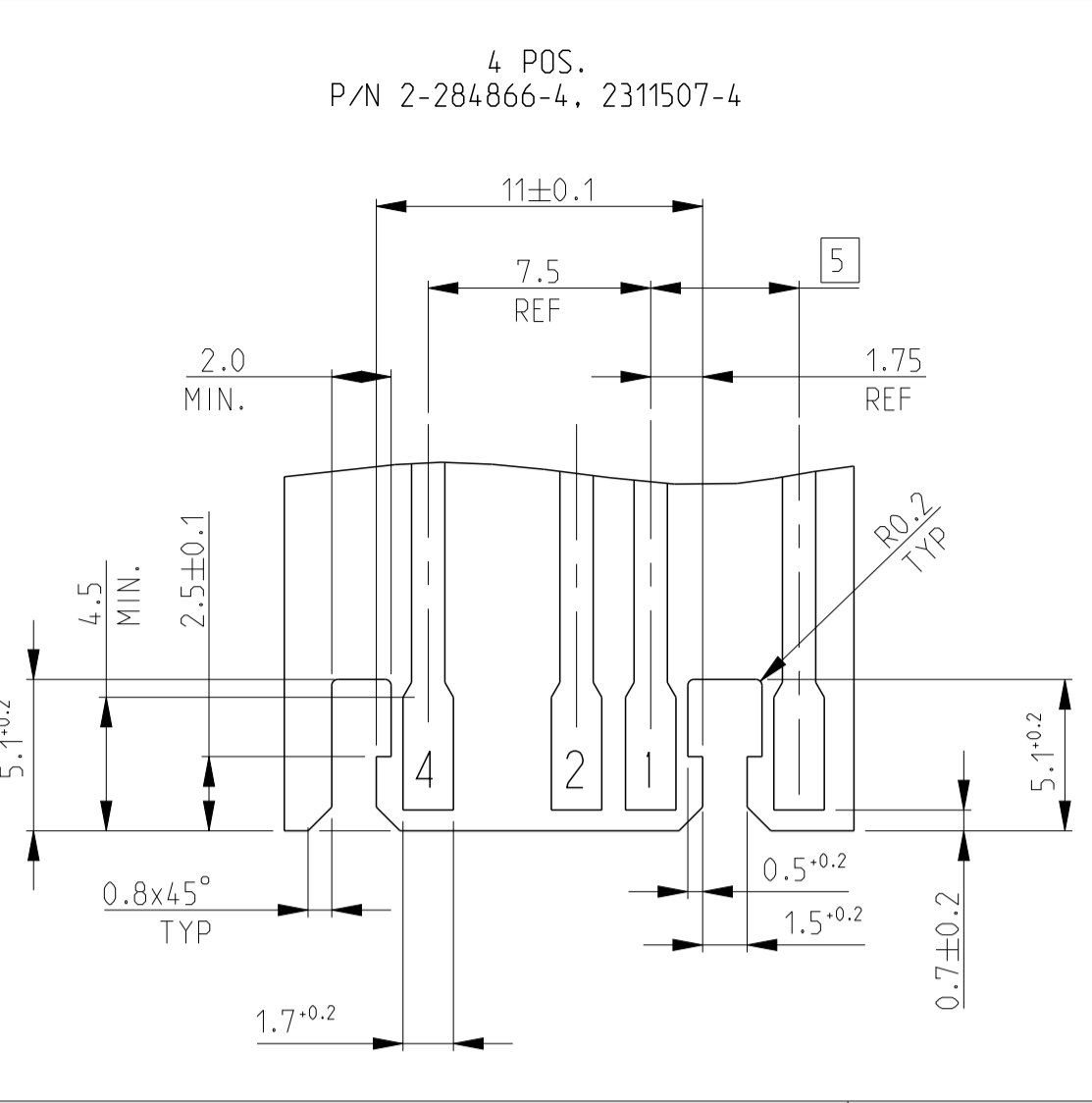
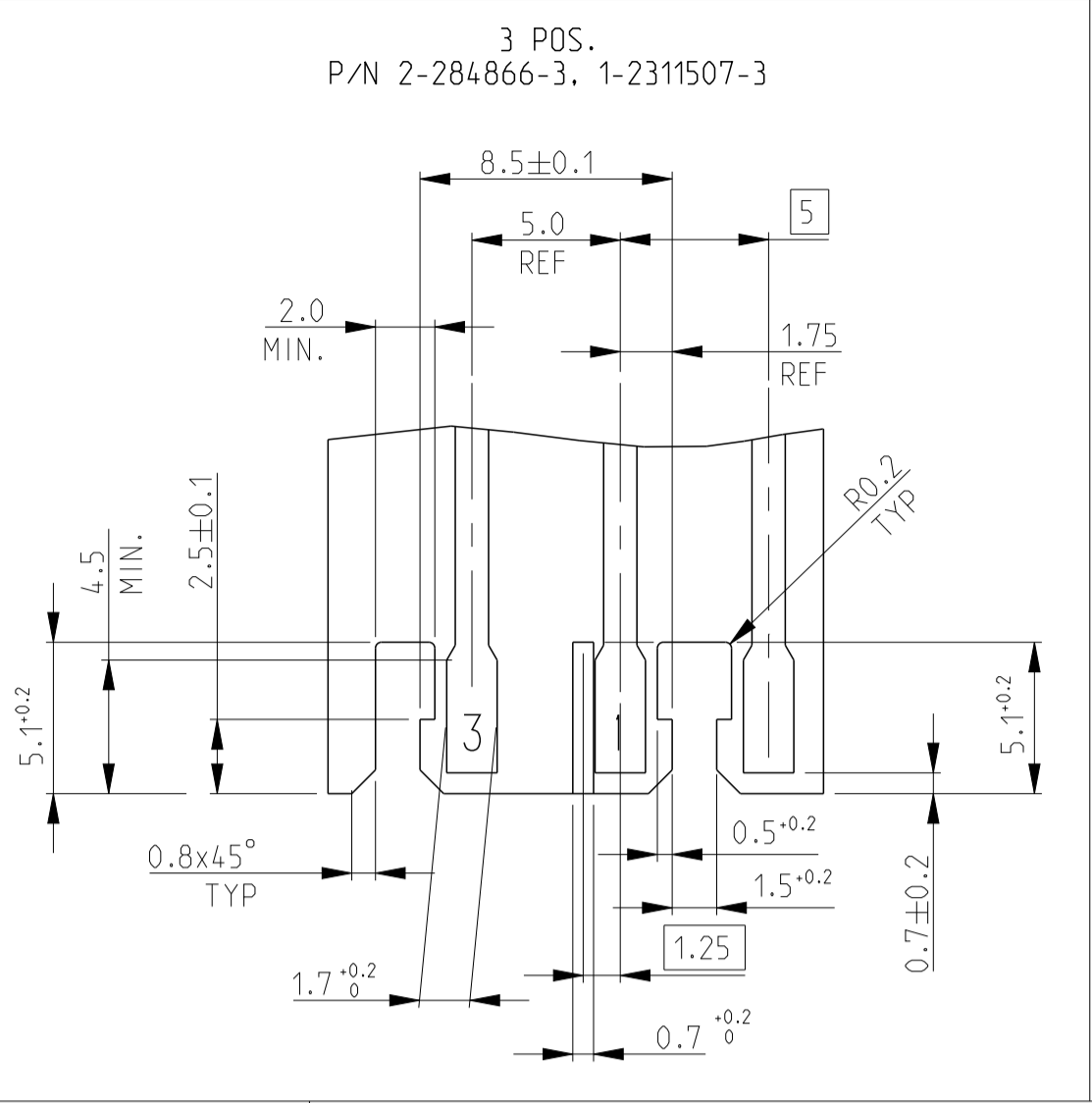
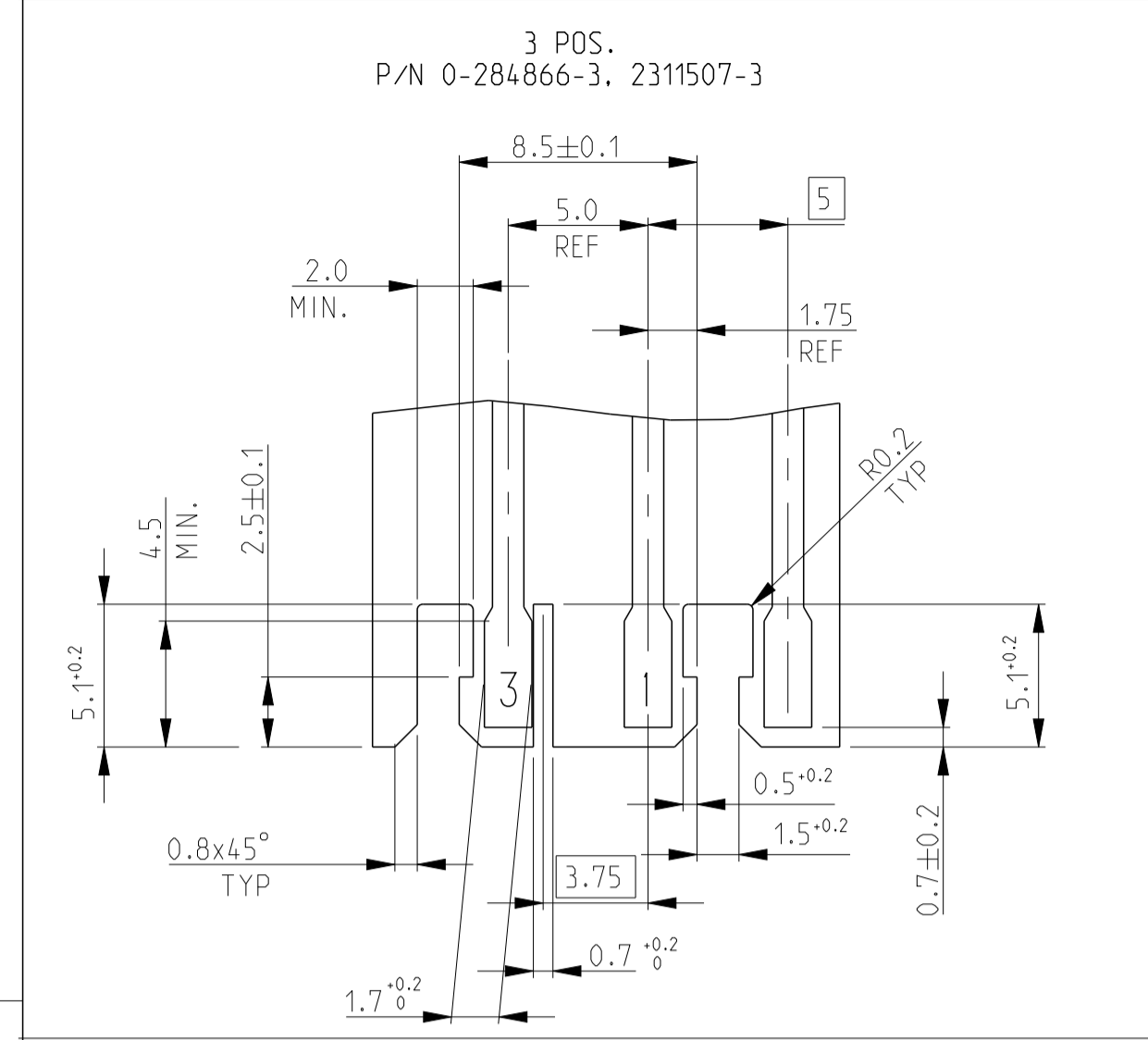
COLOUR CODE	POLARIZ. RIB POS.	CONTACT LOADING	HSG POS.	DIM.A	DIM.B	TE P/N	TE P/N
GREEN	13/14	SELECTIVELY 1.3,4,6,8,9,10,11,12,13,14	14	32.5	37.4	5-284866-4	1-2311508-4
BLUE		SELECTIVELY 1.3,4,6,11,12,13,14				1-284866-4	2311508-4
-		SELECTIVELY 1.2,5,6,8,10,11,13				4-284866-3	-
-	2/3	SELECTIVELY 3,4,5,6,8,10,11,13	13	30.0	34.9	3-284866-3	-
-		SELECTIVELY 1.2,3,4,5,6,8,10,11,13				5-284866-3	-
BLUE	2/3	SELECTIVELY 1.3,4,6,7,9,11,12	12	27.5	32.4	1-284866-2	2311508-2
BLACK	2/3	SELECTIVELY 1,3,5,6,7,8,9,10				2-284866-0	-
OBSOLETED	BLUE	SELECTIVELY 1,2,3,4,5,6,7,8,10				1-284866-0	-
-	2/3	SELECTIVELY 1,3,5,7,9				9-2311507-9	-
-	7/8	SELECTIVELY 1,2,4,6,8,9				2336596-9	-
GRAY	3/4	SELECTIVELY 1,3,4,6,8,9				7-284866-9	8-2311507-9
RED	4/5	SELECTIVELY 1,2,4,6,8,9				8-284866-9	7-2311507-9
-		SELECTIVELY 1,2,4,6,8,9				9-284866-9	/
GREEN		SELECTIVELY 1,2,4,6,7,9	9	20.0	24.9	1-284866-9	6-2311507-9
BLACK		SELECTIVELY 1,3,5,7,8,9				6-284866-9	5-2311507-9
ORANGE	2/3	SELECTIVELY 1,2,3,5,7,9				5-284866-9	4-2311507-9
ORANGE		SELECTIVELY 1,3,4,6,8,9				4-284866-9	3-2311507-9
RED		SELECTIVELY 1,3,5,6,7,9				3-284866-9	2-2311507-9
GREEN		SELECTIVELY 1,3,4,5,6,7,8,9				2-284866-9	1-2311507-9
BLUE		SELECTIVELY 1,3,4,6,7,9				0-284866-9	2311507-9
-		SELECTIVELY 5,6,7				5-284866-8	-
BROWN		SELECTIVELY 1,2,3,4,6,8				4-284866-8	3-2311507-8
RED	2/3	SELECTIVELY 1,3,5,6,7,8	8	17.5	22.4	3-284866-8	2-2311507-8
GREEN		SELECTIVELY 1,3,4,5,6,7,8				2-284866-8	1-2311507-8
BLUE		SELECTIVELY 1,3,4,6,7,8				0-284866-8	2311507-8
BLUE	2/3	SELECTIVELY 1,3,5,7	7	15.0	19.9	1-284866-7	1-2311507-7
BLUE		SELECTIVELY 1,3,5,6,7				0-284866-7	2311507-7
-	4/5	SELECTIVELY 1,3,4,6				5-284866-6	-
BLACK	2/3	SELECTIVELY 1,3,4,6				4-284866-6	2-2311507-6
GREEN	4/5	SELECTIVELY 1,2,4,6	6	12.5	17.4	2-284866-6	1-2311507-6
BLUE	2/3	SELECTIVELY 1,3,5,6				0-284866-6	2311507-6
-	2/3	SELECTIVELY 1,3,5				-	4-2311507-5
ORANGE	1/2	SELECTIVELY 3,4,5				4-284866-5	3-2311507-5
GREEN		SELECTIVELY 1,2,3,5	5	10.0	14.9	3-284866-5	2-2311507-5
BLUE	3/4	SELECTIVELY 1,3,4,5				2-284866-5	1-2311507-5
RED	2/3	SELECTIVELY 2,4				0-284866-5	2311507-5
GREEN	N/A	SELECTIVELY 1,2,4	4	7.5	12.4	2-284866-4	2311507-4
GREEN	1/2	SELECTIVELY 1,3				2-284866-3	1-2311507-3
BLUE	-	SELECTIVELY 1,3	3	5.0	9.9	1-284866-3	-
BLUE	2/3	SELECTIVELY 1,3				0-284866-3	2311507-3

-		-		THIS DRAWING IS A CONTROLLED DOCUMENT.		OWN R. FABRIS 03JUL2002		TE Connectivity	
SEE TABLE	PH. BRONZE, TIN PLATED	IDC RECEPTACLE CONTACT	2	DIMENSIONS: mm	TOLERANCES UNLESS OTHERWISE SPECIFIED:	APVD G. TURCO	NAME DUOPLUG 2.5 FEMALE CONN. SIDE LOCKING, KEYED (SELECTIVELY LOADED CONTACTS)	SIZE	RESTRICTED TO
Q.TY	MATERIAL	DESCRIPTION	ITEM	0 PLC ±0.2 1 PLC ±0.2 2 PLC ±0.2 3 PLC ±0.2 4 PLC ±0.2 ANGLES ±1°		PRODUCT SPEC 108-20238	APPLICATION SPEC	116-18049-1	SCALE 10:1
1	REVISIONE DELL'ASSEMBLATO (REVISION OF EACH ASSY NO)			MATERIAL	FINISH	WEIGHT	A1 00779 C=284866	SHEET 1 OF 5	REV C3
ELENCO DEI COMPONENTI (PARTS LIST)				SEE TABLE	SEE TABLE	CUSTOMER DRAWING		SCALE 10:1 SHEET 1 OF 5 REV C3	

PCB LAYOUT -Soldering side-

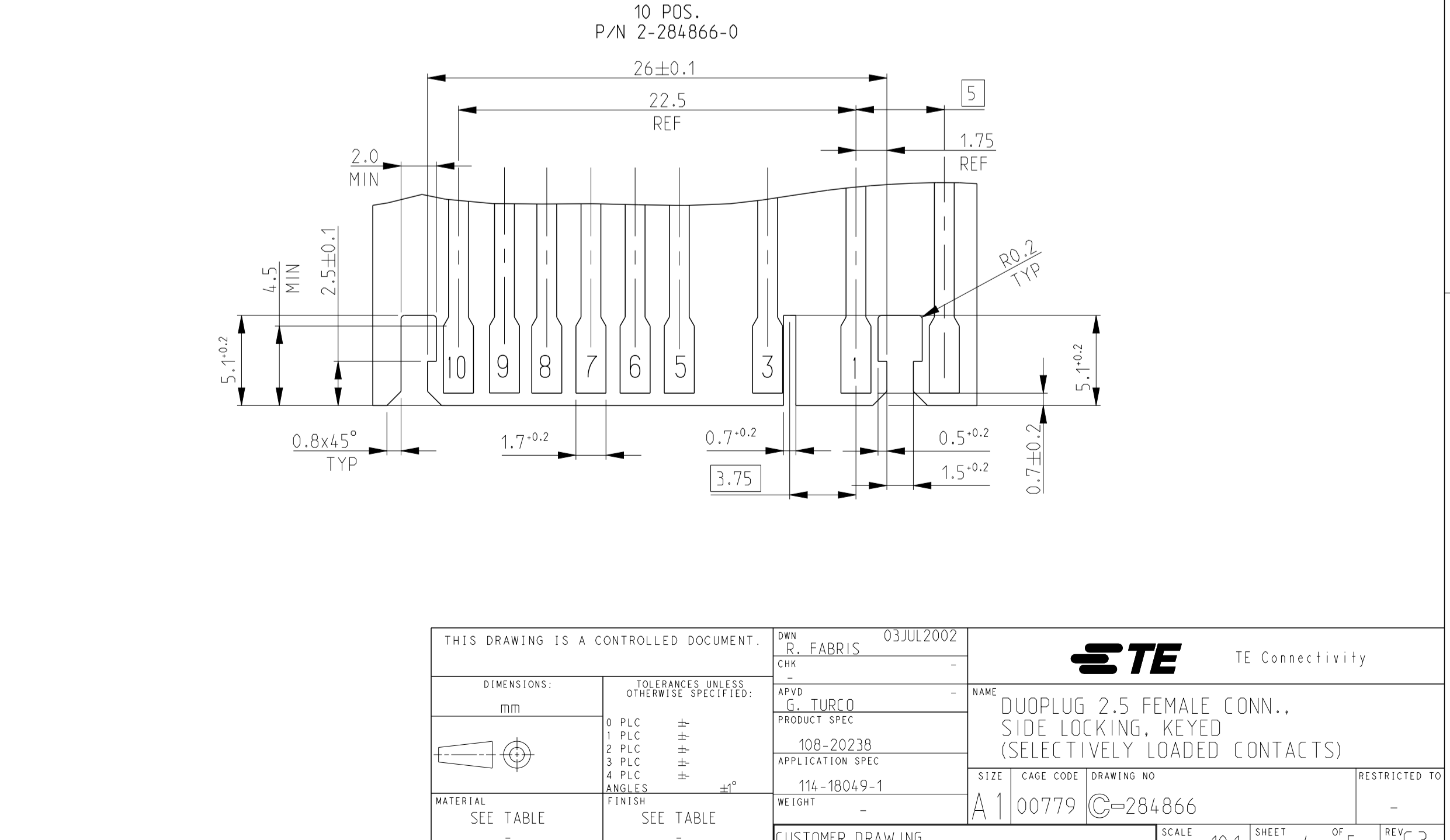
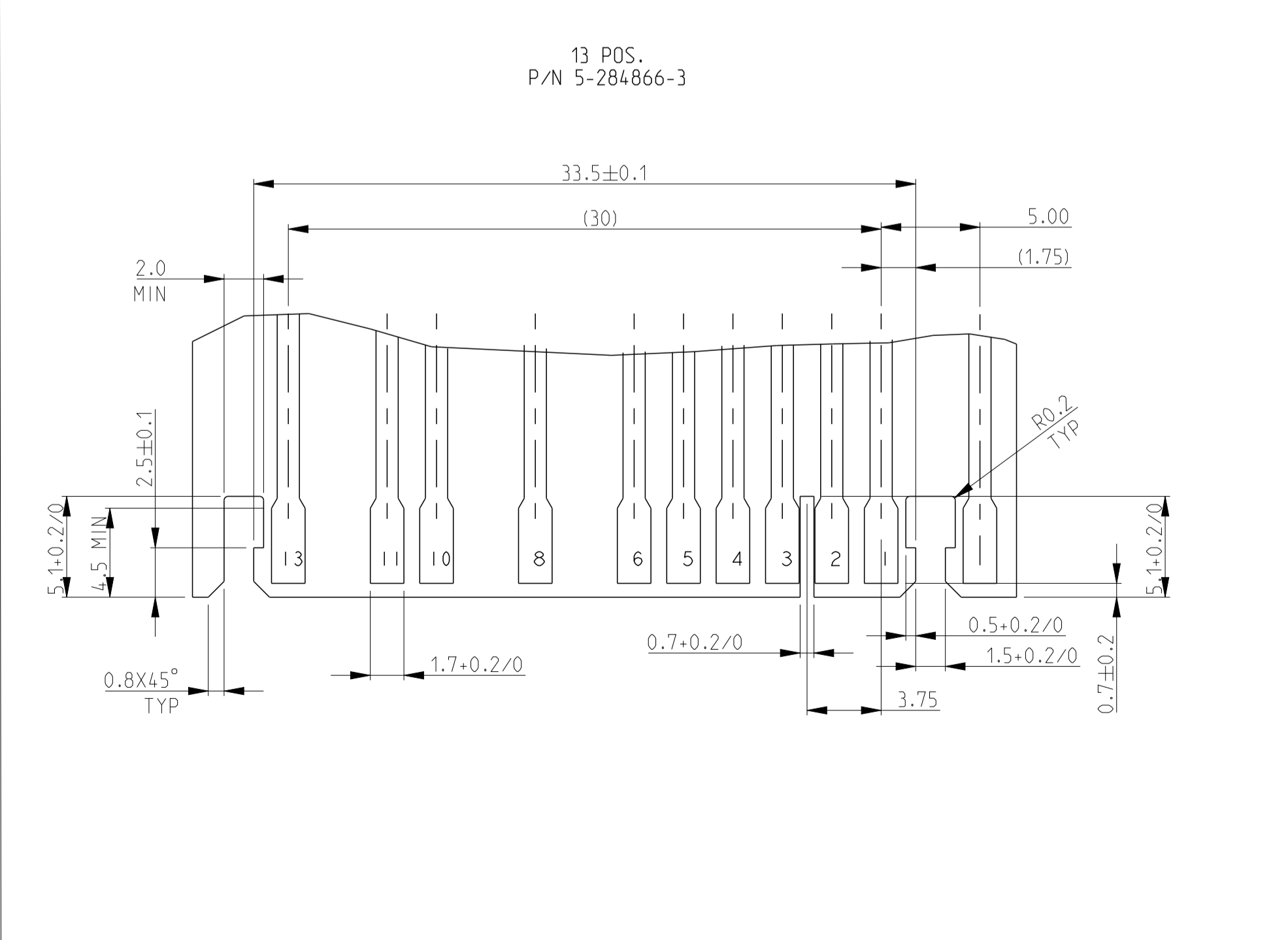
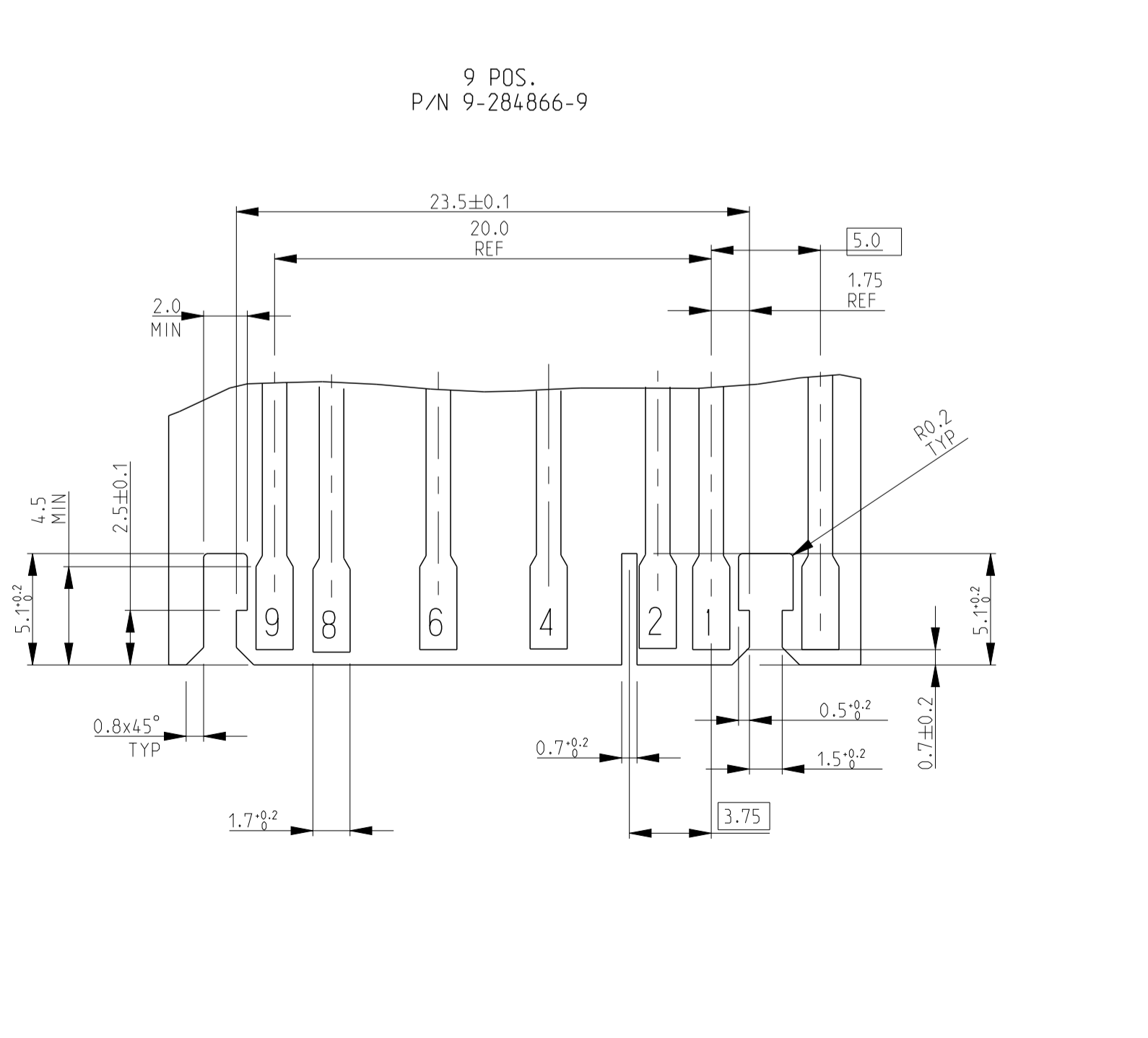
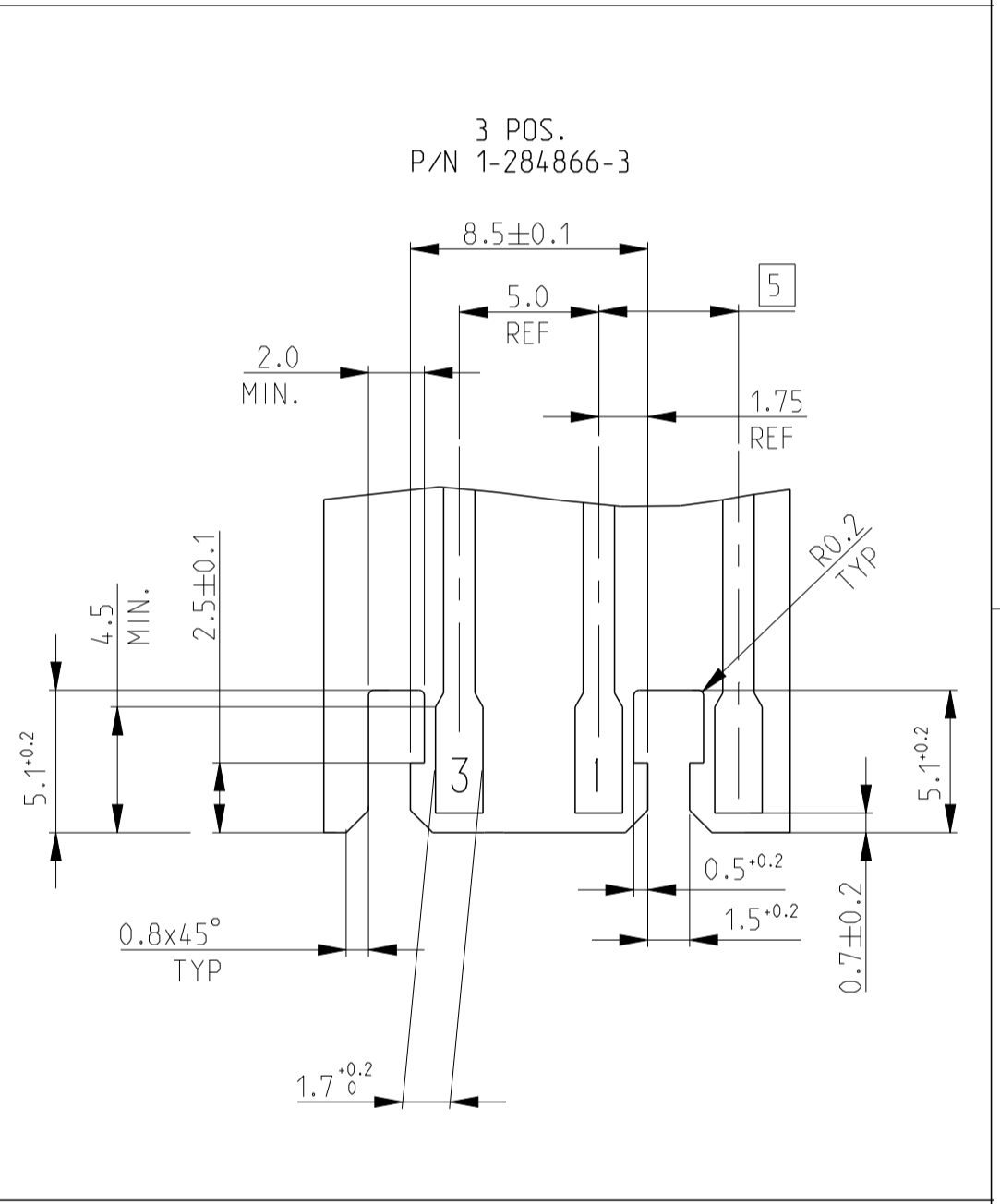
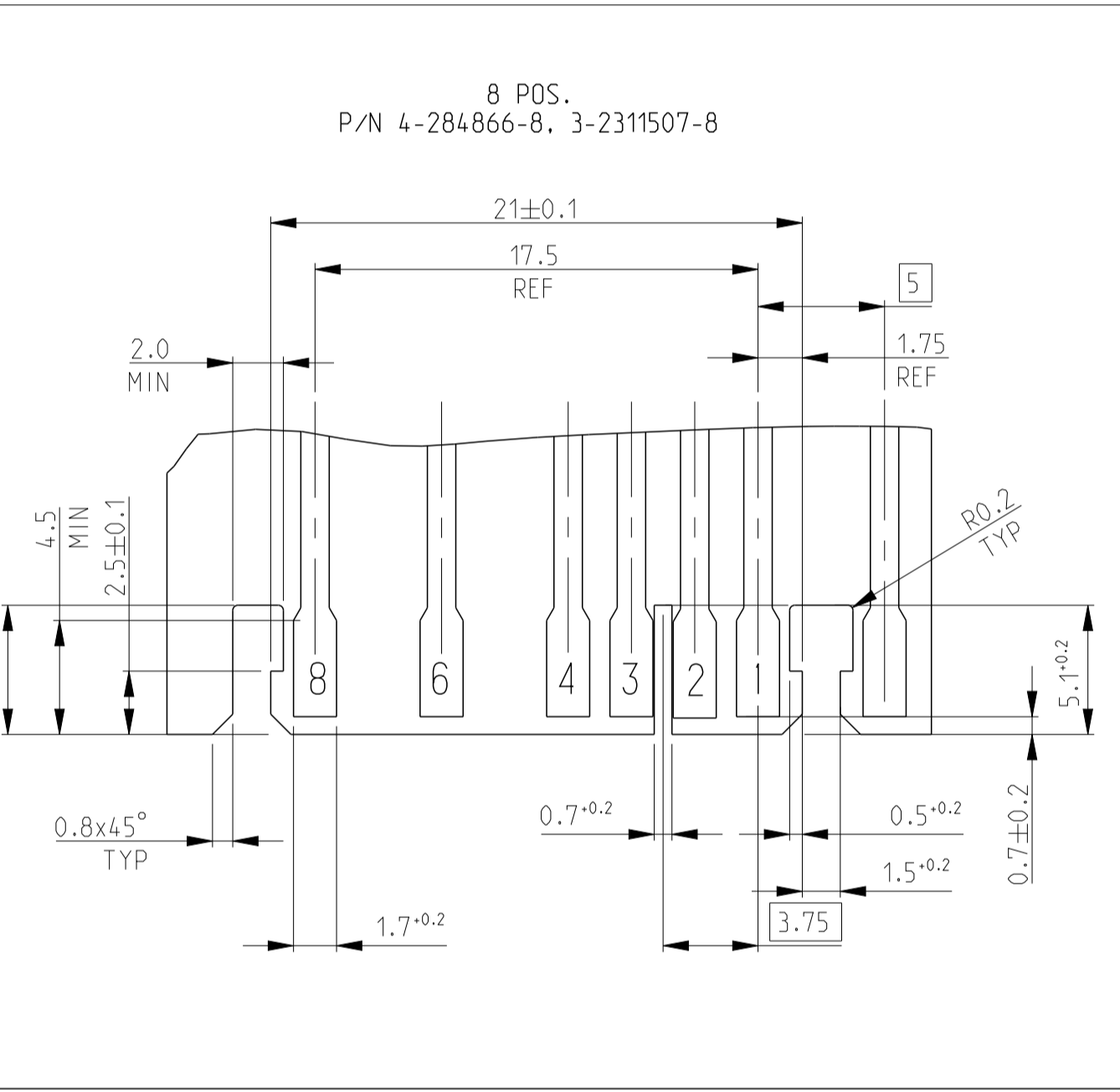
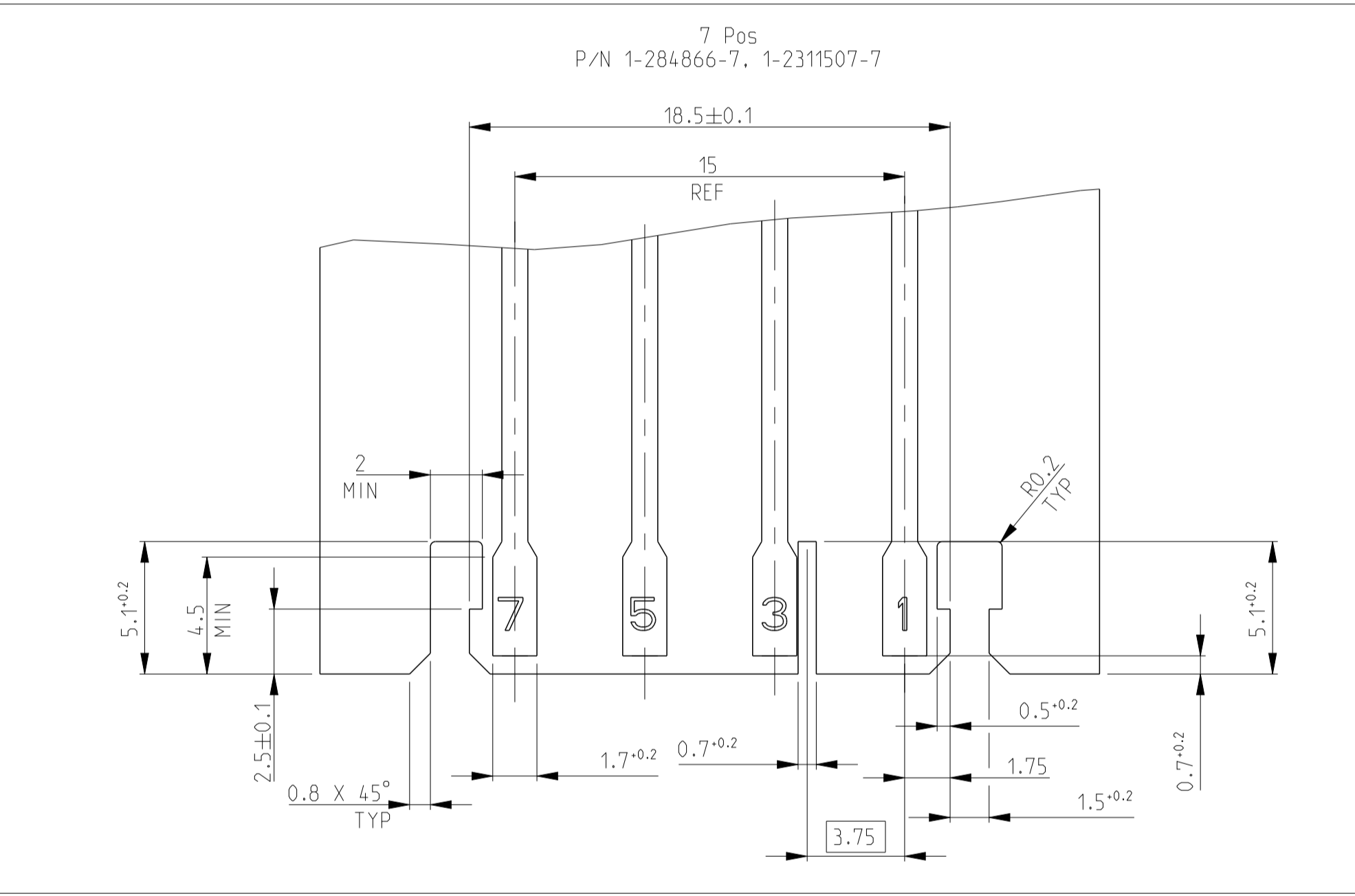
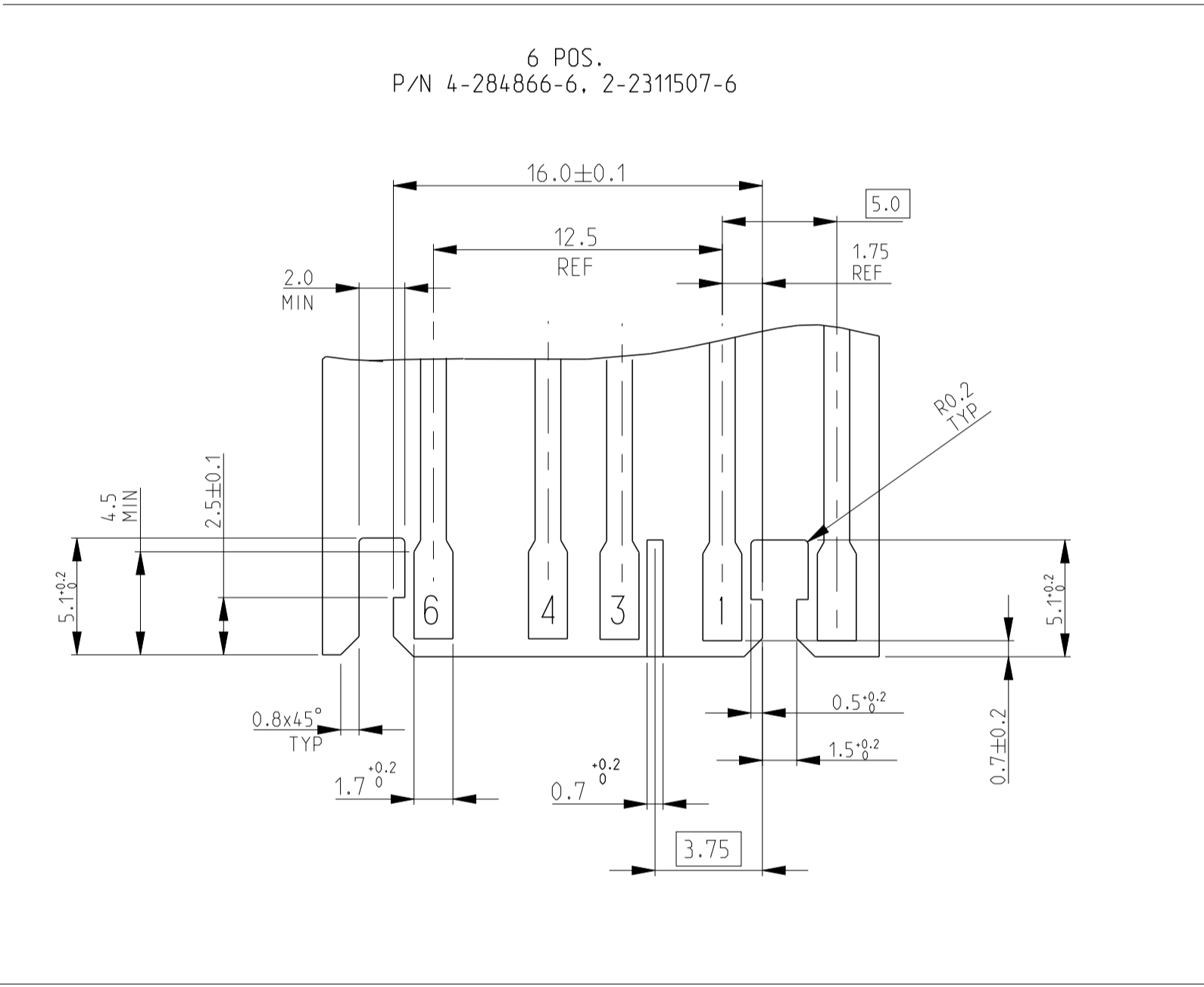
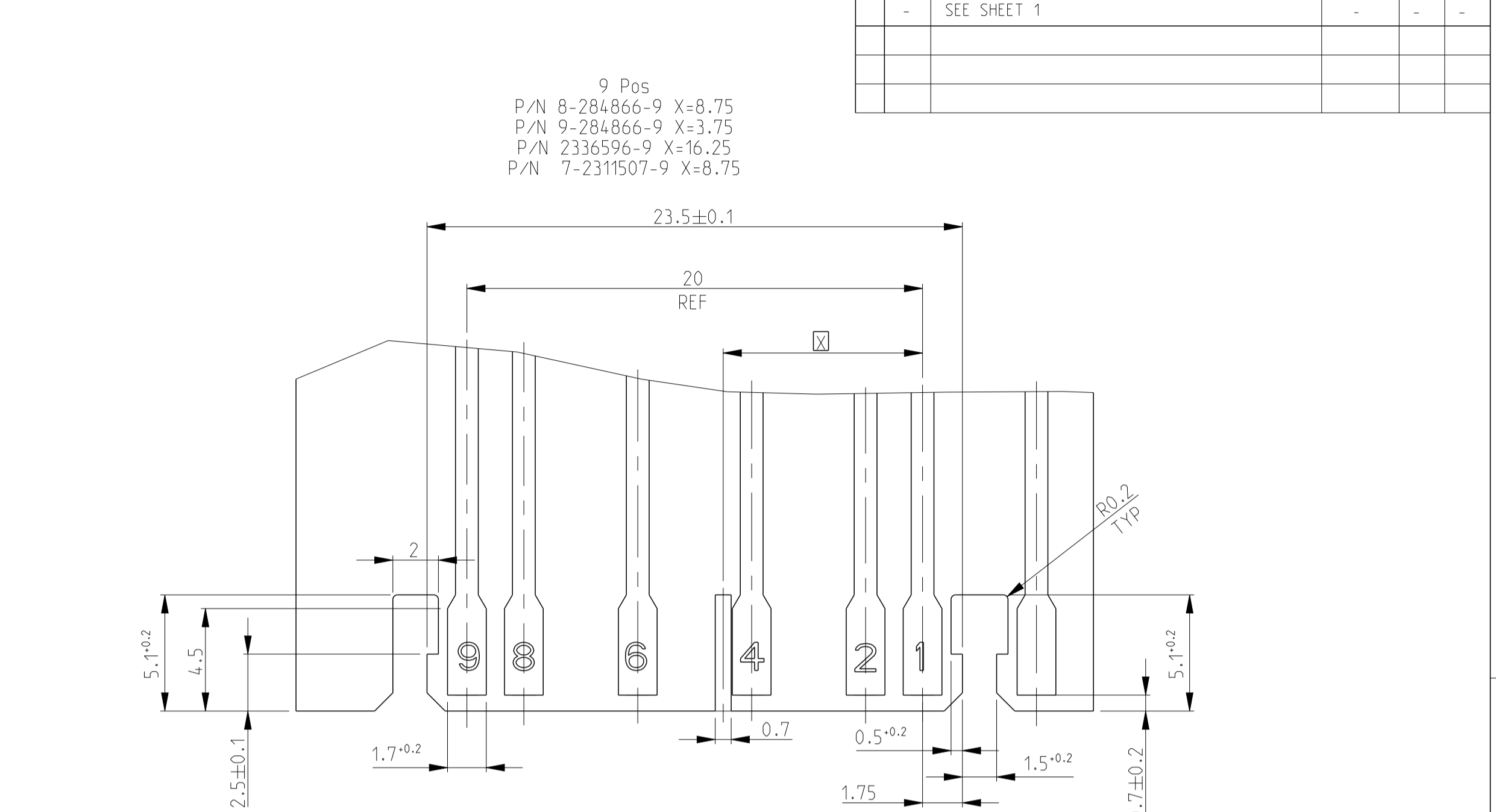
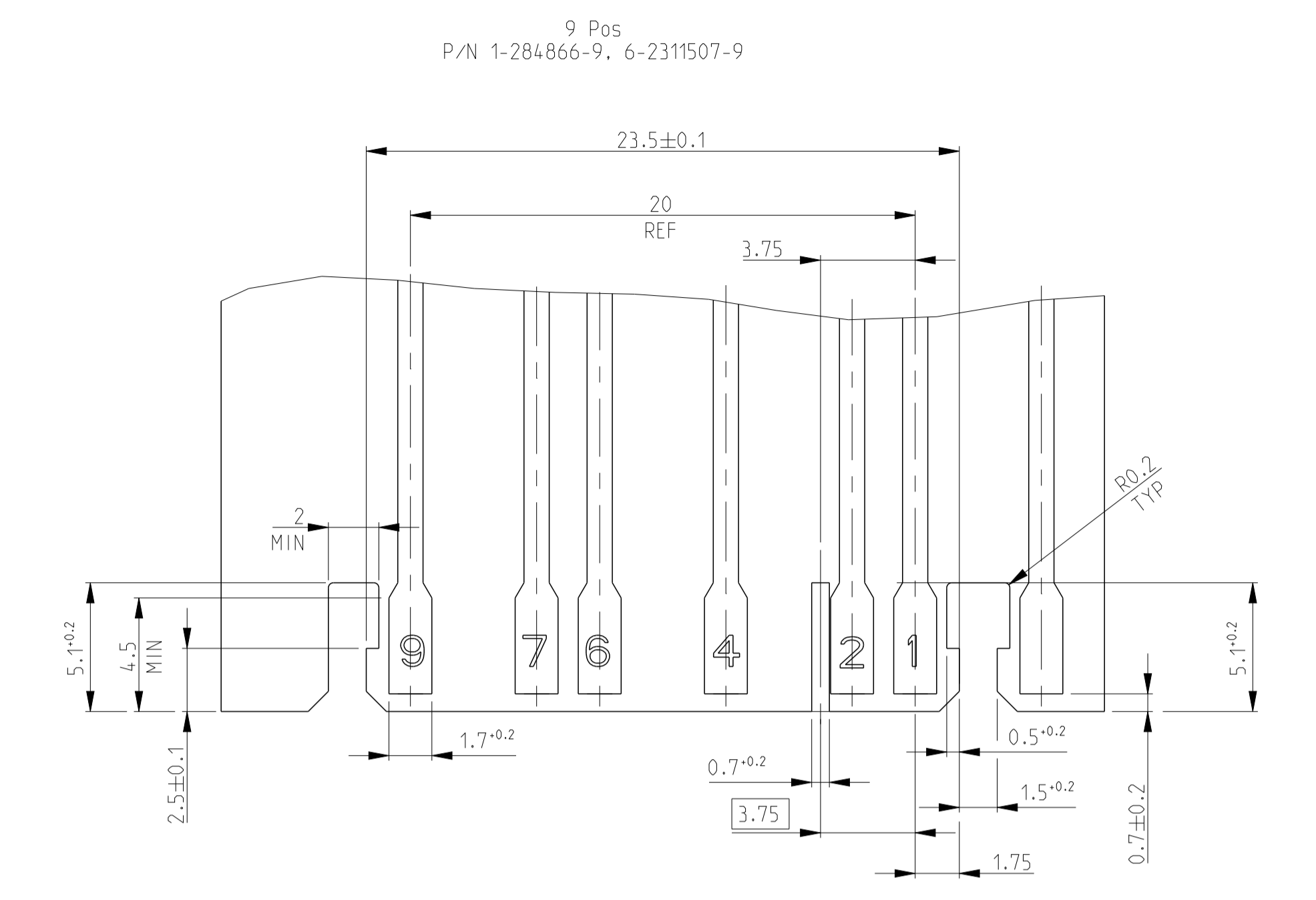
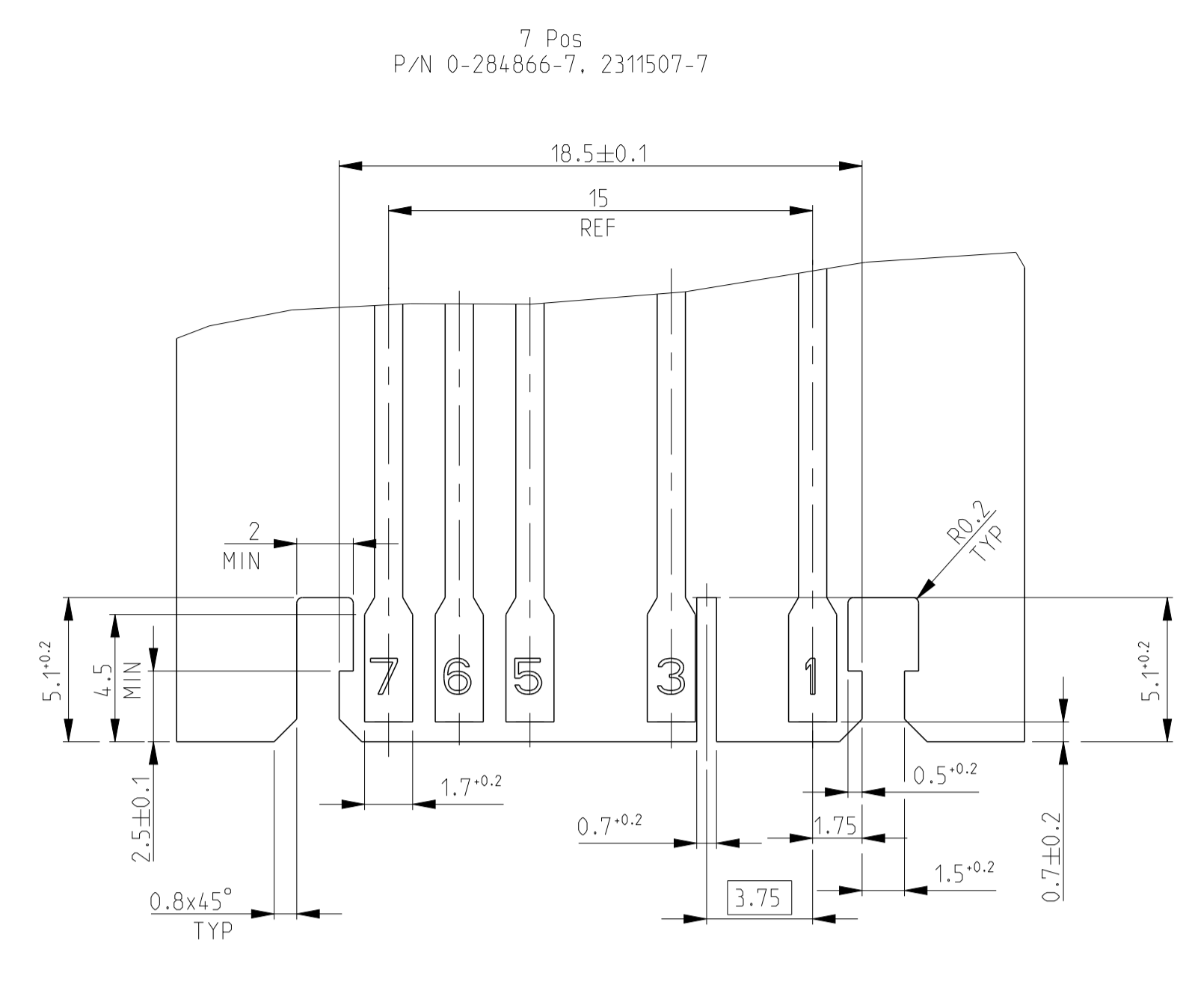
(SCALE 4:1)

REVISIONS				
P.	LTN.	DESCRIPTION	DATE	OWN APVD
-	-	SEE SHEET 1	-	-



THIS DRAWING IS A CONTROLLED DOCUMENT.		OWN: R. FABRIS	03JUL2002
DIMENSIONS: mm		CHK: -	
TOLERANCES UNLESS OTHERWISE SPECIFIED:		APVD: TURCO	NAME: DUOPLUG 2.5 FEMALE CONN., SIDE LOCKING, KEYED (SELECTIVELY LOADED CONTACTS)
MATERIAL: SEE TABLE		FINISH: SEE TABLE	WEIGHT: -
CUSTOMER DRAWING		SIZE: A1	CAGE CODE: 00779
SCALE: 6:1		SHEET: 2	OF: 5

REVISIONS				
P	LTN	DESCRIPTION	DATE	OWN APVD
-	-	SEE SHEET 1	-	-

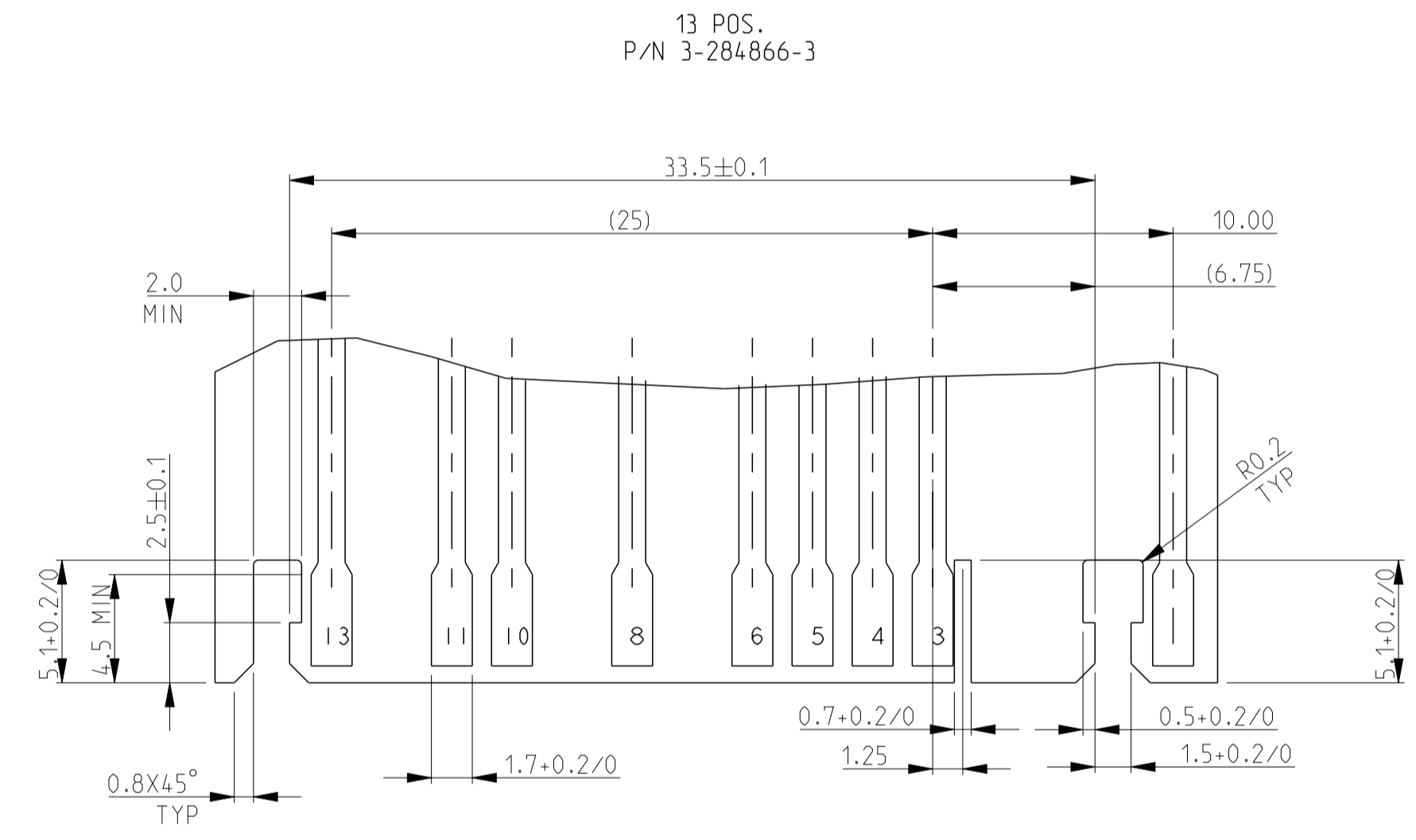
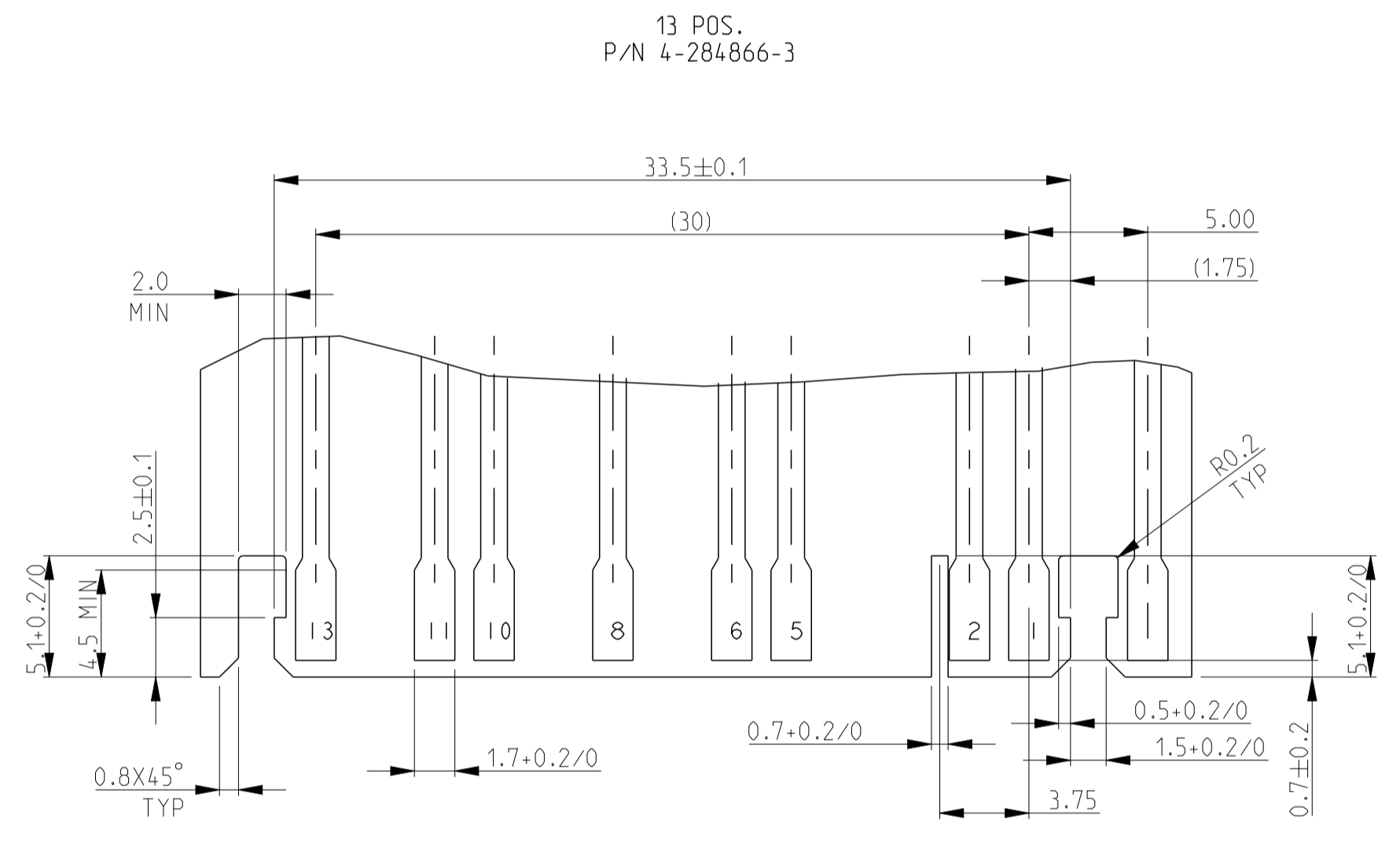
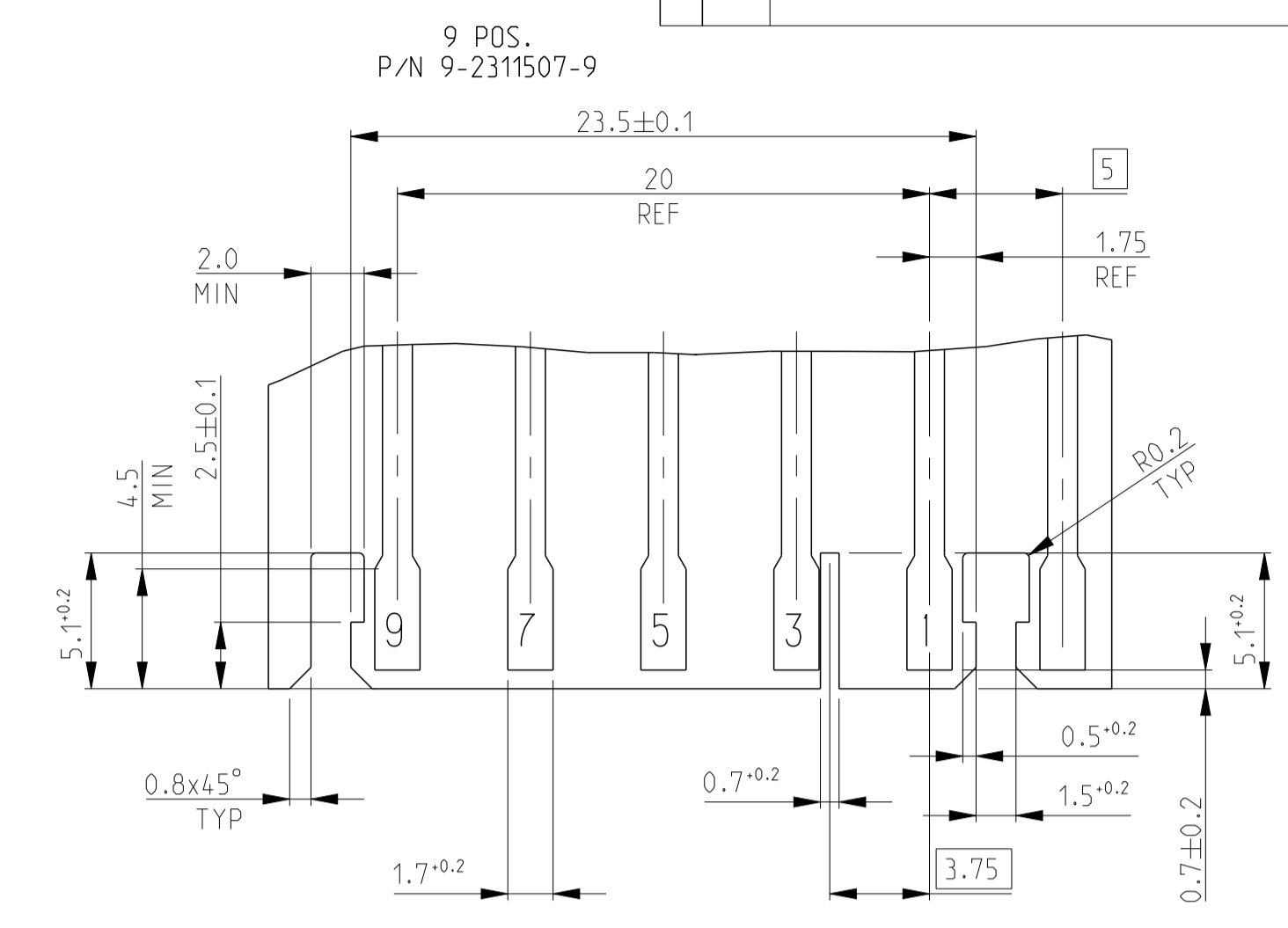
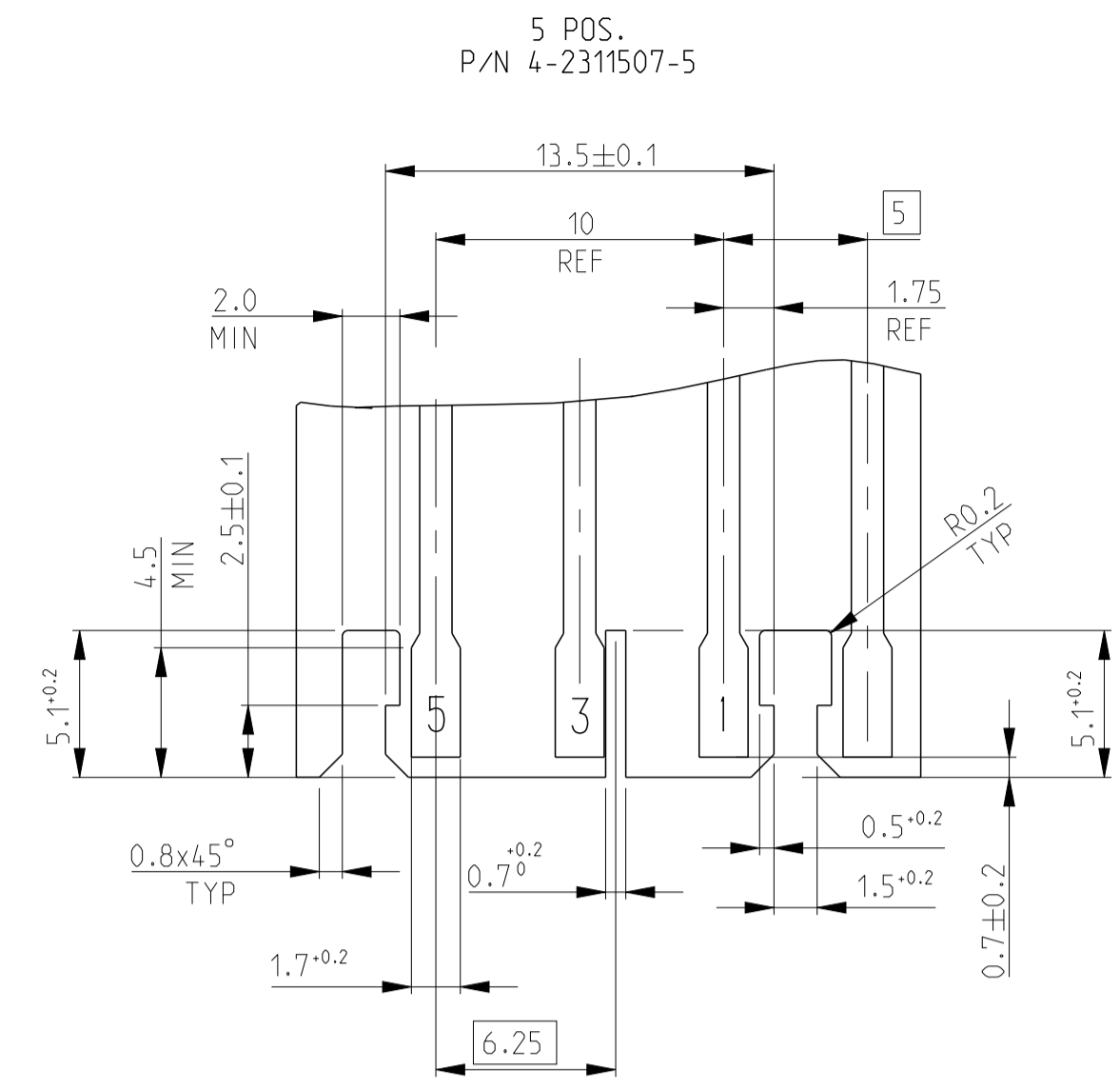
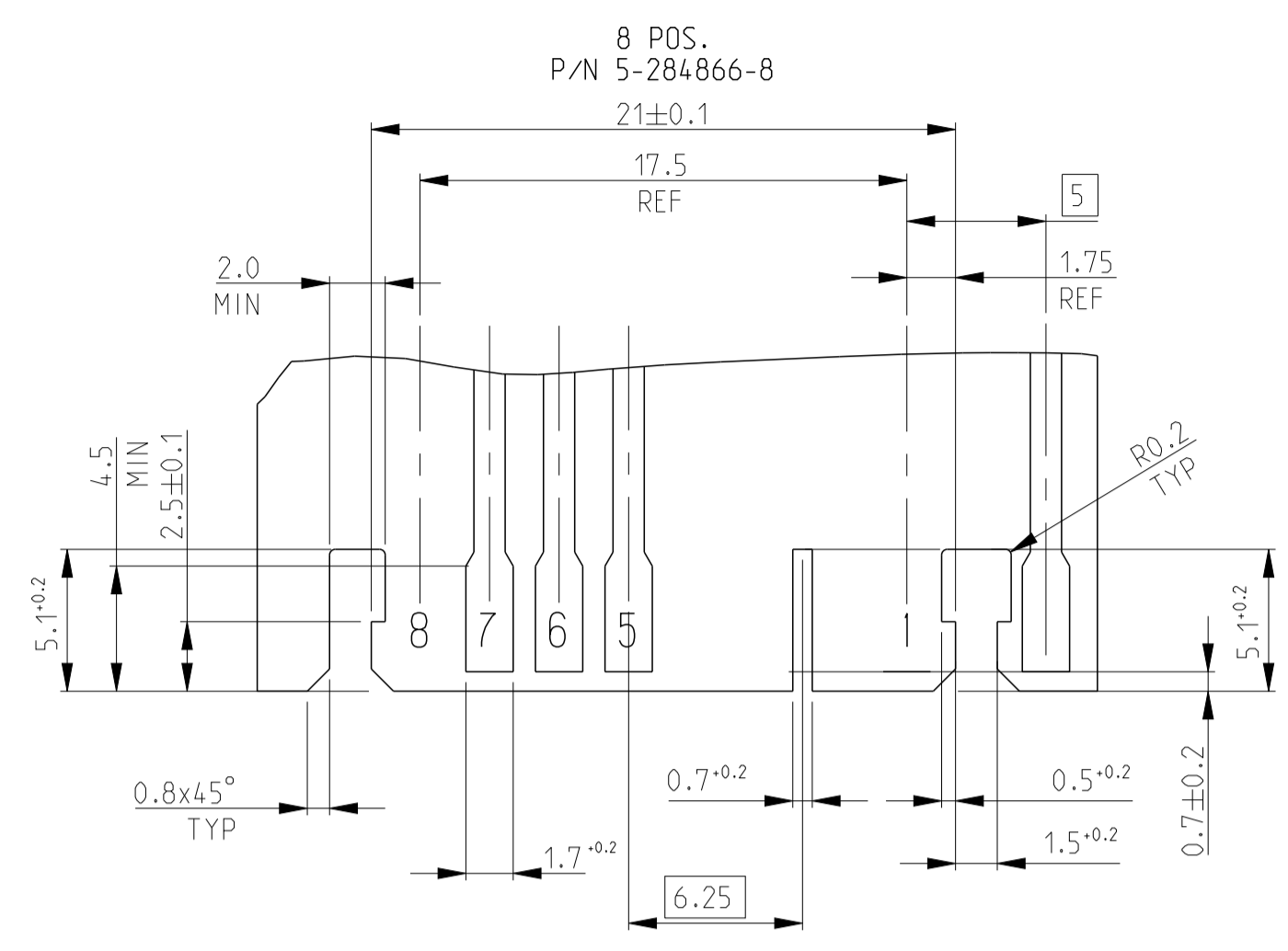


THIS DRAWING IS A CONTROLLED DOCUMENT. OWN: R. FABRIS 03JUL2002
 DIMENSIONS: mm TOLERANCES UNLESS OTHERWISE SPECIFIED:
 0 PLC # # # # #
 1 PLC # # # # #
 2 PLC # # # # #
 3 PLC # # # # #
 4 PLC # # # # #
 ANGLES # # # # #
 MATERIAL: SEE TABLE FINISH: SEE TABLE
 WEIGHT: -
 CUSTOMER DRAWING

APVD: E. TURCO
 PRODUCT SPEC: 108-20238
 APPLICATION SPEC: 116-18049-1
 NAME: DUOPLUG 2.5 FEMALE CONN., SIDE LOCKING, KEYED (SELECTIVELY LOADED CONTACTS)
 SIZE: A1
 CAGE CODE: 00779
 DRAWING NO: 284866
 SCALE: 10:1
 SHEET: 4 OF 5
 REV: C3

STE TE Connectivity

REVISIONS				
P.	LTN.	DESCRIPTION	DATE	APVD.
-	-	SEE SHEET 1	-	-



THIS DRAWING IS A CONTROLLED DOCUMENT. DWN: R. FABRIS 03JUL2002
 CHK: -

DIMENSIONS: mm

TOLERANCES UNLESS OTHERWISE SPECIFIED:
 0 PLC # #
 1 PLC # #
 2 PLC # #
 3 PLC # #
 4 PLC # #
 ANGLES # #
 FINISH # #

MATERIAL: SEE TABLE

WEIGHT: -

CUSTOMER DRAWING

APVD: S. TURCO
 PRODUCT SPEC
 108-20238
 APPLICATION SPEC
 116-18049-1

NAME: DUOPLUG 2.5 FEMALE CONN., SIDE LOCKING, KEYED (SELECTIVELY LOADED CONTACTS)

SIZE: A1
 CAGE CODE: 00779
 DRAWING NO: C=284866

RESTRICTED TO: -

SCALE: 10:1 SHEET: 5 OF 5 REV: C3

X-ON Electronics

Largest Supplier of Electrical and Electronic Components

Click to view similar products for [Headers & Wire Housings](#) category:

Click to view products by [TE Connectivity](#) manufacturer:

Other Similar products are found below :

[95000-104TRLF](#) [10135584-644402LF](#) [DF62W-EP2022PCA](#) [95000-106TRLF](#) [DF62W-2022SCA](#) [DF62W-EP2022PC](#) [2203348](#) [DF62W-2022SC](#) [1084018](#) [1029039](#) [1084017](#) [802-10-012-10-002000](#) [1112640](#) [1112639](#) [000-34000](#) [0009482033](#) [0009507031](#) [57102-S06-03LF](#) [57202-S52-04LF](#) [PCN6-15S-2.5E](#) [0039019024](#) [58102-G61-06LF](#) [582553-1](#) [0009508121](#) [0050291907](#) [018731A](#) [LY20-4P-DT1-P1E-BR](#) [02.125.8002.8](#) [60101931](#) [60598-1 \(Cut Strip\)](#) [M1625-3R/100](#) [61062-3](#) [61082-181009](#) [636-1427](#) [638009-1](#) [641938-9](#) [641991-4](#) [644168-1](#) [647662-1](#) [65039-019ELF](#) [65817-002LF](#) [65817-015LF](#) [65863-015LF](#) [66207-023LF](#) [67016-026LF](#) [67046-001LF](#) [67095-007LF](#) [68002-116](#) [68016-236H](#) [68648-049](#)