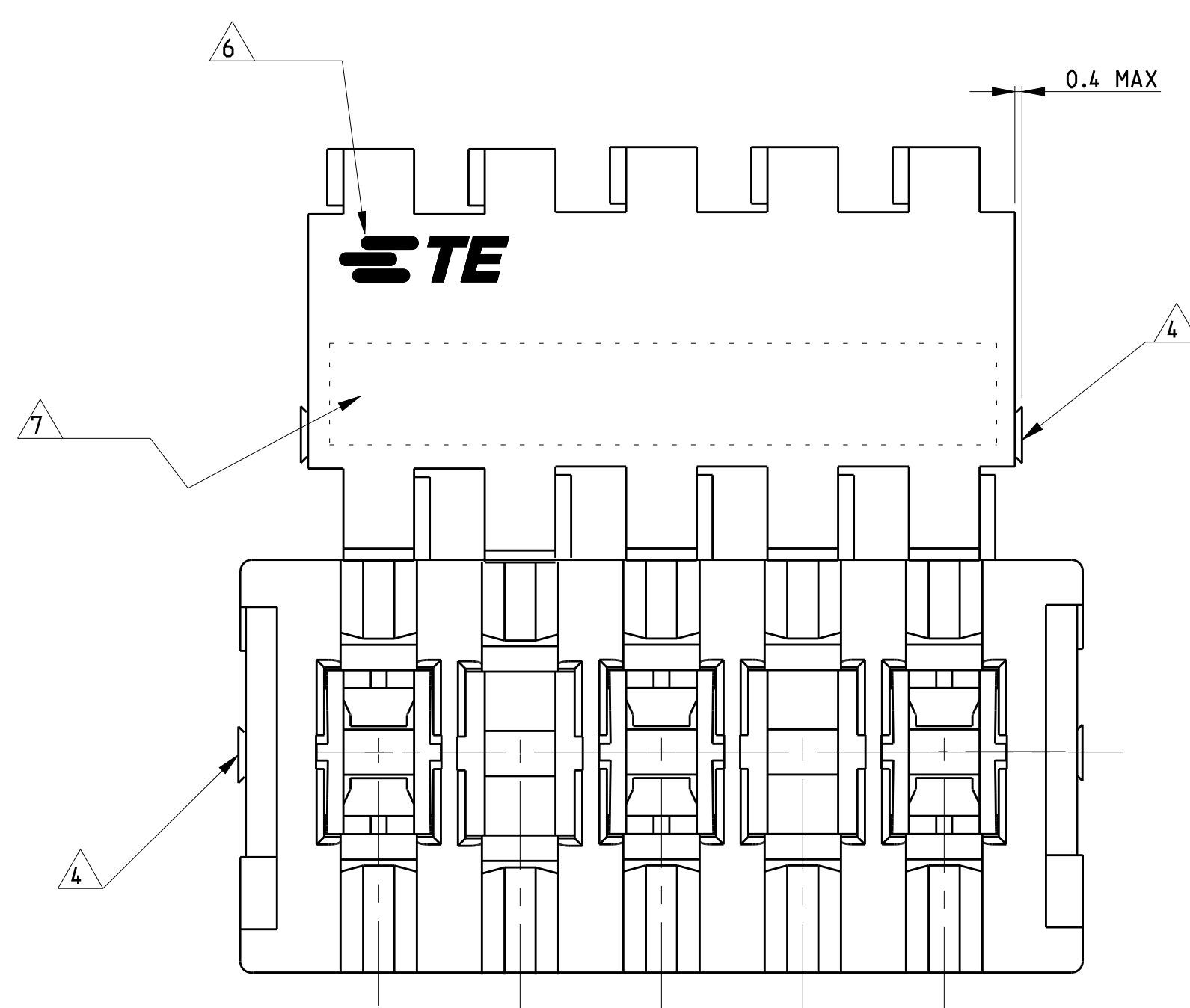
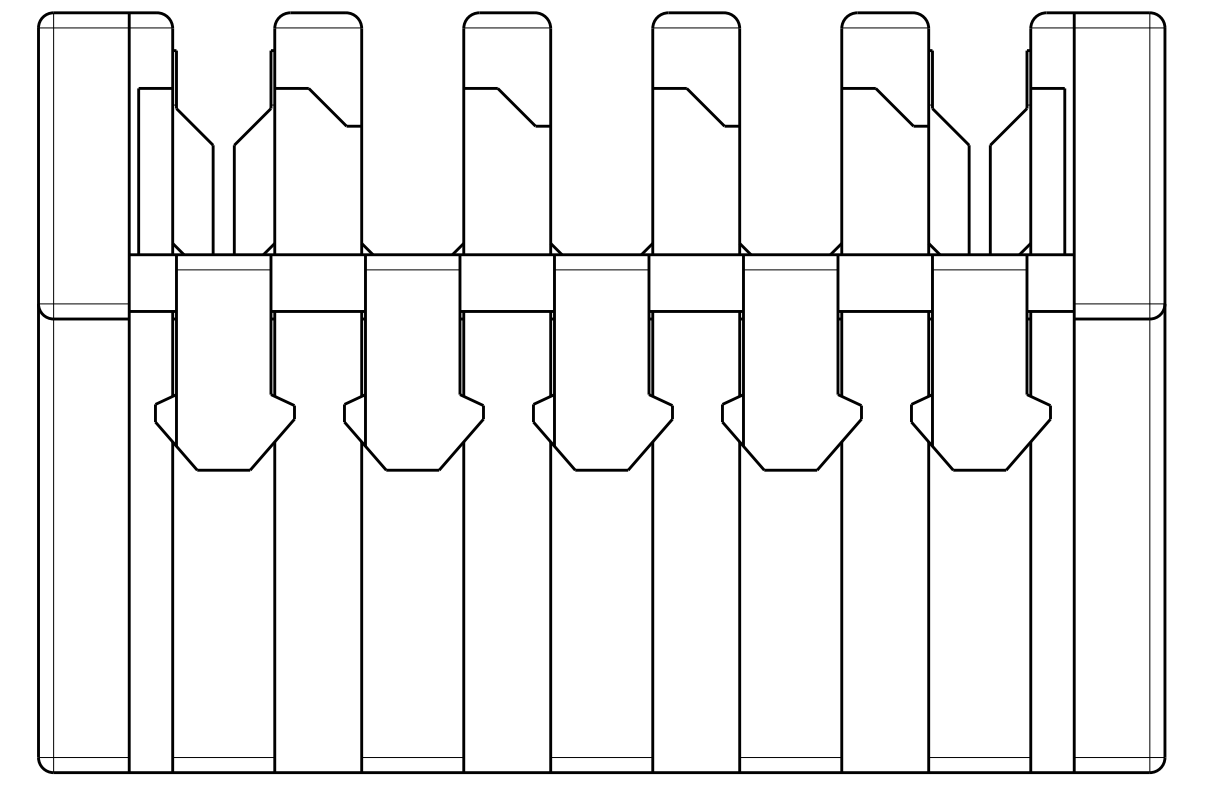
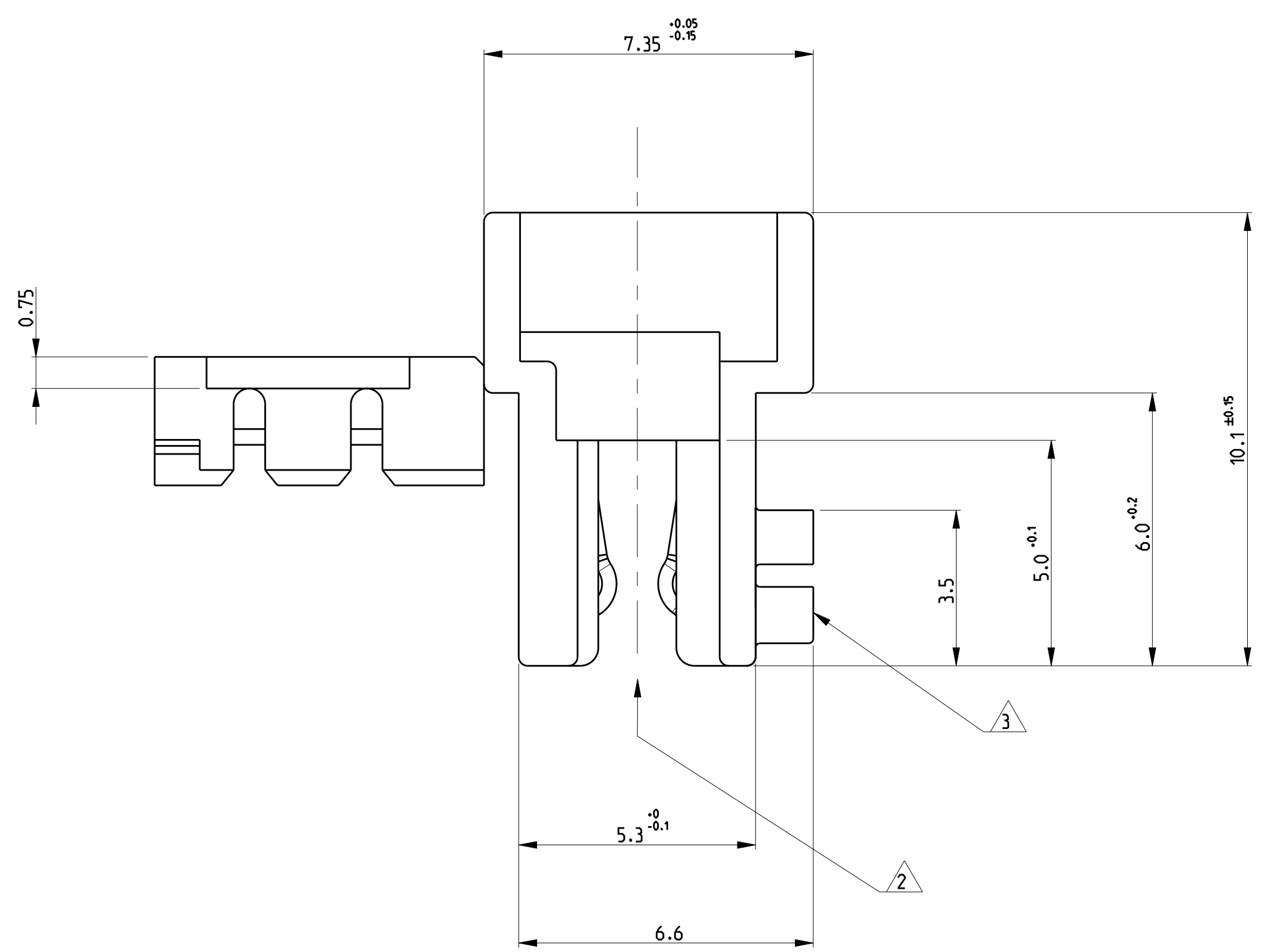
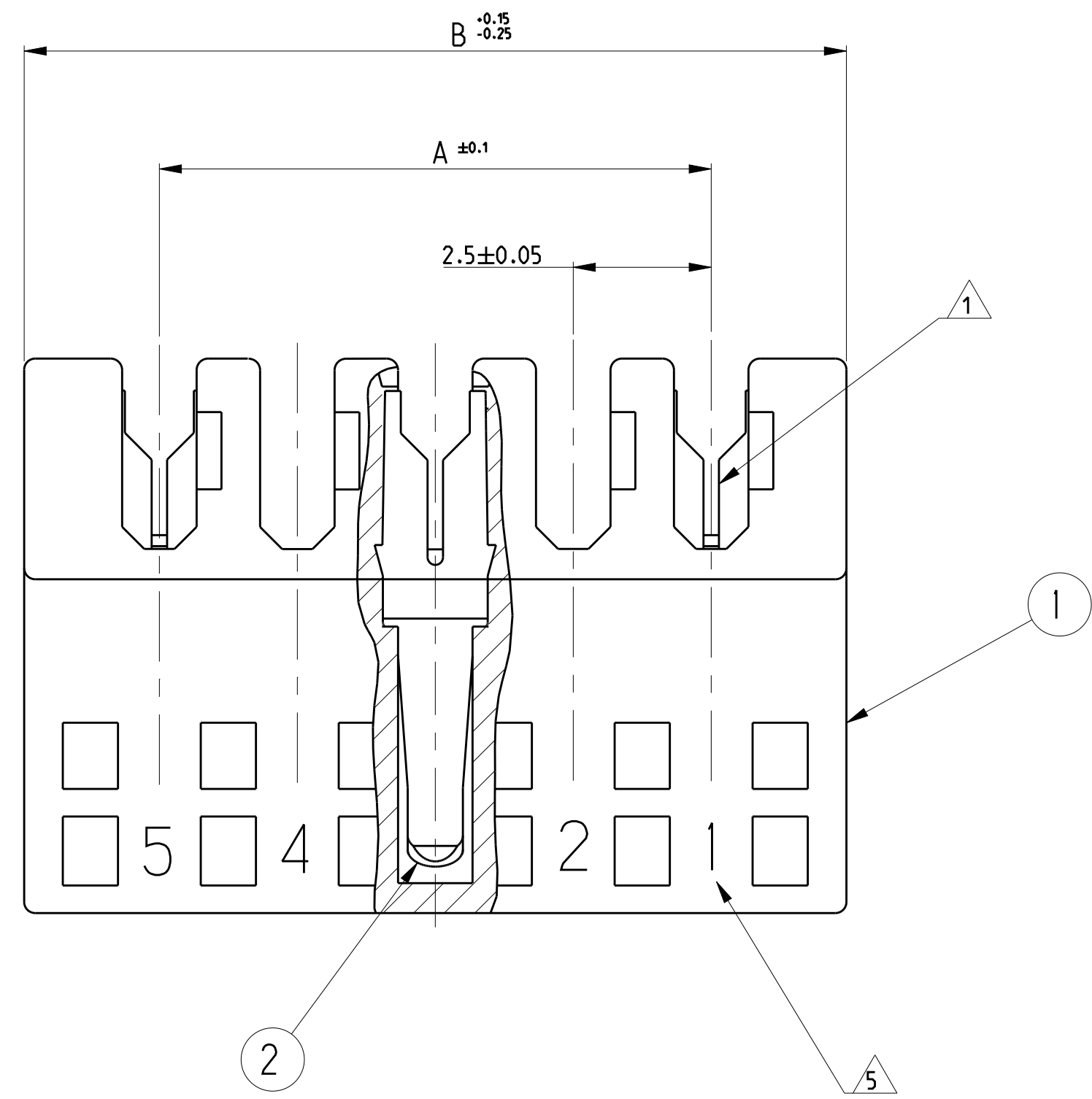
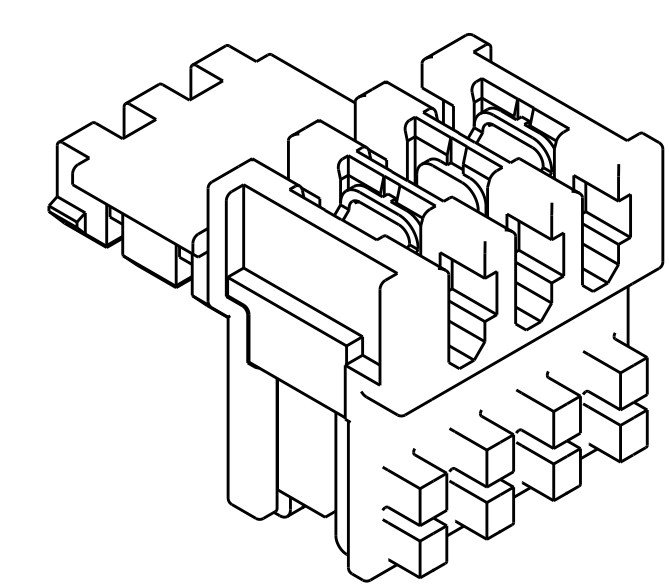


LOC		DIST		REVISIONS			
P	LTR	DESCRIPTION	DATE	DWN	APVD		
A23	ECR-19-009970		22.AUG.2019	SM	FL		
B	ECR-19-015552		18DEC.2019	KD	FL		
B1	ECR-20-101062		17DEC.2020	SM	FL		
B2	ECR-21-100273		25.JAN.2020	PJ	FL		



- ① WIRE RANGE : STRANDED 0.22-0.35 mm² (INS. DIA. 1.30±0.1)
- ② MATING PART: TAB HEADER P/Ns 1971921, 1971922 AND EQUIVALENT;
PCB FRAME P/N 964575 (PCB THK 1.5±0.14 COPPER CLADDING INCLUDED)
SEE PRODUCT SPEC. 108-18056 FOR FRAME APPLICATION
- ③ KEYING RIBS TO BE REMOVED BY TERMINATION MACHINE
- ④ CUT OFF DIMENSION DUE TO PRODUCTION PROCESS
- ⑤ CIRCUIT No. IDENTIFICATION
- ⑥ TE TRADEMARK (OPTIONAL POSITION)
- ⑦ TAMPOGRAPHIC COLOUR CODE AREA
(P/Ns IDENTIFICATION BEFORE CRIMPING)
- ⑧ -
- ⑨ PBT GF
- ⑩ PBT GF, UL94-V0 & GWEP7 750 NO-FLAME, NATURAL



3D VIEW FOR REF. ONLY
 3 POS. PN 0-284931-3 AS SHOWN
 SCALE 5:1

COLOUR CODE	CONTACT LOADING	HSG POS.	KEYING	DIM.A	DIM.B	TE P/N	TE P/N
BLUE	SELECTIVELY 1.2,3,4,5,6,7,8,9,10,11,13	13	2/3	30.0	34.9	1-284931-3	2311506-3
-	SELECTIVELY 1.3,5,7,9,10,11	11	9/10	25.0	29.9	2-284931-1	-
BLUE	SELECTIVELY 1.3,5,7,9,11	11	-	25.0	29.9	1-284931-1	2-2311506-1
BLUE	SELECTIVELY 1.3,5,7,8,10	10	-	22.5	27.4	1-284931-0	1-2311505-0
GREEN	SELECTIVELY 1.3,4,6,8,9	9	-	20.0	24.9	2-284931-9	3-2311505-9
BLUE	SELECTIVELY 1.2,4,6,7,9	9	-	20.0	24.9	0-284931-9	2-2311505-9
GREEN	SELECTIVELY 1.3,4,6,7,8	8	-	17.5	22.4	2-284931-8	1-2311505-8
BLUE	SELECTIVELY 1.2,3,5,6,8	8	-	17.5	22.4	0-284931-8	2311505-8
GREEN	SELECTIVELY 1.3,5,6,7	7	-	15.0	19.9	2-284931-7	2-2311505-7
BLUE	SELECTIVELY 1.3,5,7	7	-	15.0	19.9	0-284931-7	1-2311505-7
BLUE	SELECTIVELY 1.2,4,6	6	-	12.5	17.4	1-284931-6	2-2311505-6
RED	SELECTIVELY 1.3,4,6	6	-	12.5	17.4	0-284931-6	1-2311505-6
GREEN	SELECTIVELY 1.2,3,5	5	-	10.0	14.9	4-284931-5	4-2311505-5
RED	SELECTIVELY 1.5	5	-	10.0	14.9	3-284931-5	3-2311505-5
-	SELECTIVELY 1.3,5	5	-	10.0	14.9	2-284931-5	2-2311505-5
BLUE	SELECTIVELY 1.3,5	5	-	10.0	14.9	0-284931-5	-
RED	SELECTIVELY 1.3	3	2/3	5.0	9.9	5-284931-3	5-2311505-3
ORANGE	SELECTIVELY 1.3	3	-	5.0	9.9	4-284931-3	4-2311505-3
GREEN	SELECTIVELY 1.3	3	-	5.0	9.9	3-284931-3	3-2311505-3
-	SELECTIVELY 1.3	3	-	5.0	9.9	2-284931-3	2-2311505-3
BLUE	SELECTIVELY 1.3	3	-	5.0	9.9	0-284931-3	1-2311505-3

PH. BRONZE, TIN PLATED	IDC RECEPTACLE CONTACT	2	THIS DRAWING IS A CONTROLLED DOCUMENT.		DWN R. FABRIS 27/FEB/2004	TE Connectivity DUOPLUG 2.5 FEMALE CONNECTOR STANDARD VERSION (SELECTIVELY LOADED)
PBT GLASS FIBER FILLED	FEMALE HOUSING	1	DIMENSIONS: mm	TOLERANCES UNLESS OTHERWISE SPECIFIED:	APVD G. TURCO 27/FEB/2004	
Q.TY	MATERIAL	DESCRIPTION	ITEM	MATERIAL SEE TABLE	PRODUCT SPEC 108-18056	SIZE CAGE CODE DRAWING NO RESTRICTED TO
1		REVISIONE DELL'ASSEMBLATO (REVISION OF EACH ASSY NO)			116-18049-1	A1 00779 C=284931
ELENCO DEI COMPONENTI (PARTS LIST)				CUSTOMER DRAWING		SCALE 2:1 SHEET 1 OF 1 REV B2

X-ON Electronics

Largest Supplier of Electrical and Electronic Components

Click to view similar products for [Headers & Wire Housings](#) category:

Click to view products by [TE Connectivity](#) manufacturer:

Other Similar products are found below :

[892-18-020-10-001101](#) [58102-G61-06LF](#) [582553-1](#) [0009485154](#) [009176003701906](#) [0050291907](#) [LY20-4P-DT1-P1E-BR](#) [02.125.8002.8](#)
[609-3404](#) [61062-3](#) [61082-181009](#) [622-3653LF](#) [63453-116](#) [636-1030](#) [636-1427](#) [636-3427](#) [636-4007](#) [641938-9](#) [641991-4](#) [644827-2](#) [65817-010LF](#) [65817-015LF](#) [65863-015LF](#) [66207-023LF](#) [67095-007LF](#) [67601157](#) [68645-018](#) [68648-049](#) [70.362.1628.0](#) [70-4210](#) [70-4226B](#) [70-4853B](#) [707-5020](#) [707-5028](#) [71.350.2428.0](#) [71918-208LF](#) [71961-016LF](#) [733-134](#) [733-162](#) [754199-000](#) [760-3052](#) [787-8014-00](#) [79531-3000](#)
[FCN-360C032-B](#) [FCN-367T-T012/H](#) [FCN-723D010/2](#) [80.063.4001.1](#) [800-90-001-10-001000](#) [800-90-010-10-002000](#) [801-43-002-10-013000](#)