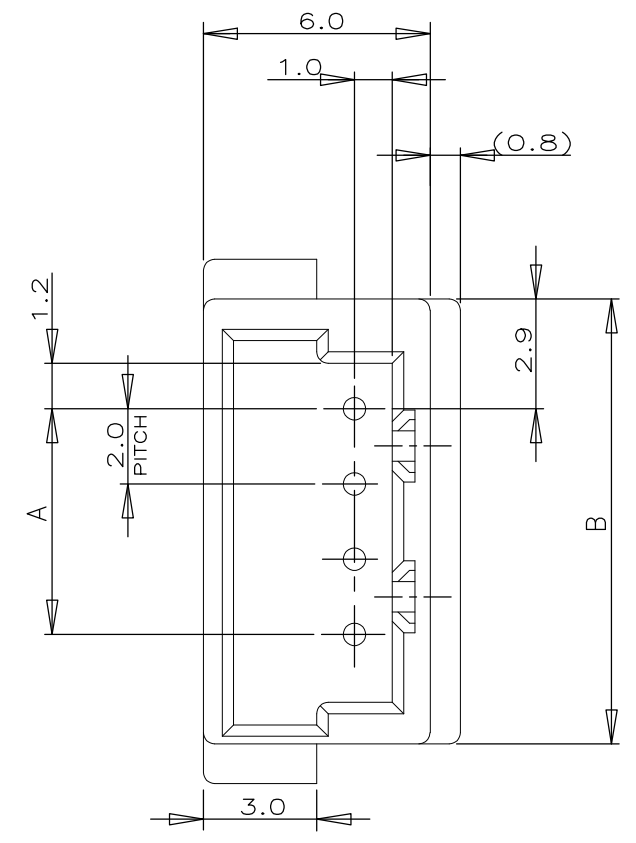
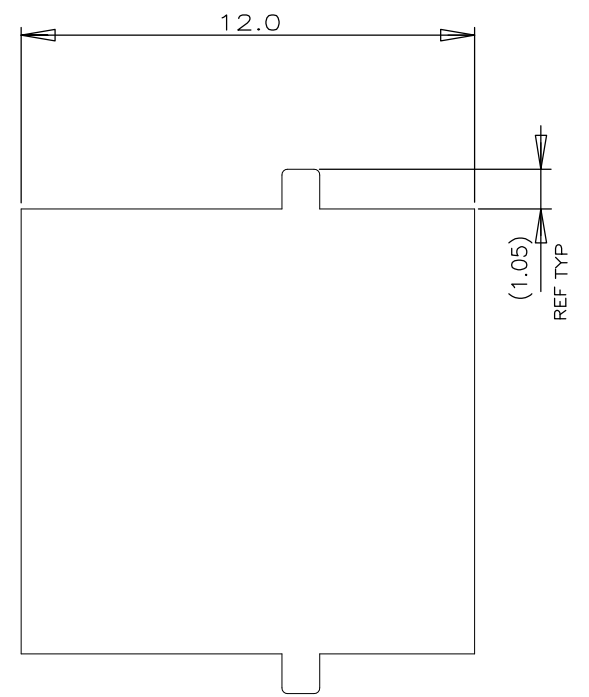
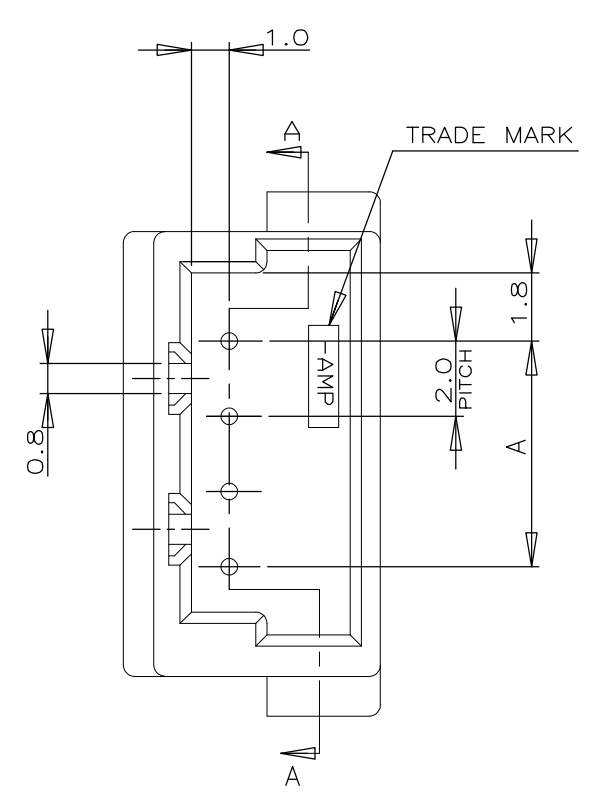
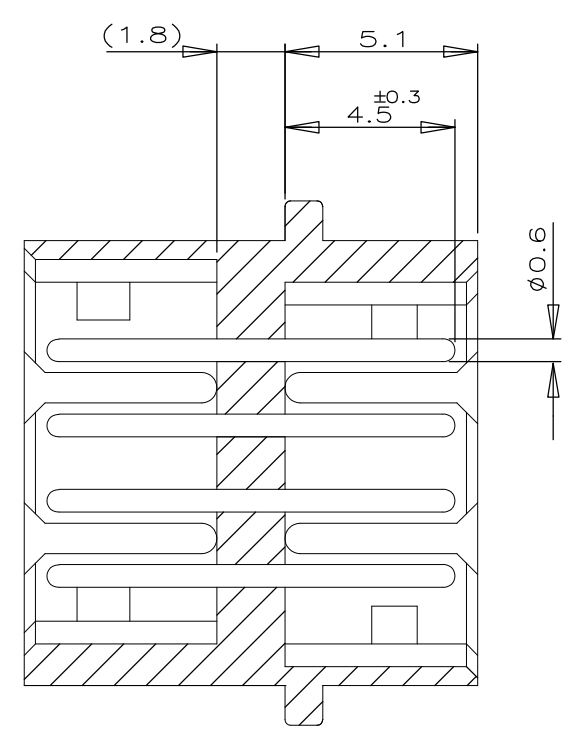
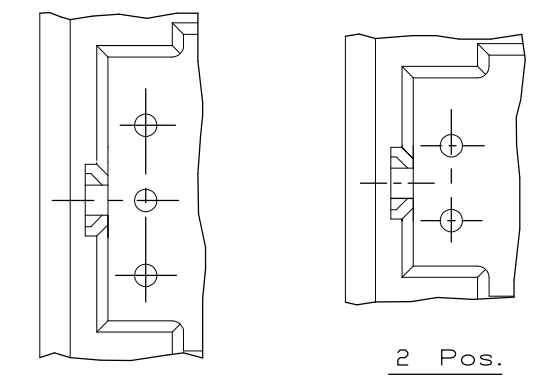


THIS DRAWING IS UNPUBLISHED. RELEASED FOR PUBLICATION  
 © COPYRIGHT - By - ALL RIGHTS RESERVED.

LOC	DIST	REVISIONS					
FB	00	P	LTR	DESCRIPTION	DATE	DWN	APVD
		P		REVISED PER ECO-11-005033	28MAR11	RK	HMR



NOTES;  
 ▲ .MATERIAL:HOUSING - 66 NYLON (UL94V-0)  
 POST - TIN BRASS



SECT. A-A

TOLERANCES UNLESS OTHERWISE SPECIFIED:

10**	: ±0.2
30**>10	: ±0.25
100**>30	: ±0.3
ANGEL	: ±3°

6-▲-6	4-▲-6	2-▲-6	▲-6	6	15.8	10.0
6-▲-5	4-▲-5	2-▲-5	▲-5	5	13.8	8.0
6-▲-4	4-▲-4	2-▲-4	▲-4	4	11.8	6.0
6-▲-3	4-▲-3	2-▲-3	▲-3	3	9.8	4.0
6-292156-2	4-292156-2	2-292156-2	292156-2	2	7.8	2.0
BLACK	YELLOW	BLUE	NATURAL	Pos.	B	A

THIS DRAWING IS A CONTROLLED DOCUMENT.

DWN	S.XU	31JAN03	TE Connectivity
CHK	S.YAO	31JAN03	
APVD	T.SASAKI	31JAN03	
PRODUCT SPEC			
APPLICATION SPEC			NAME
WEIGHT	-		FREE HANGING TYPE RELAY POST HEADER ASS'Y (AMP CT CONN. 2mm PITCH)
			SIZE
			CAGE CODE
			DRAWING NO
			RESTRICTED TO
CUSTOMER DRAWING			SCALE 5:1
			SHEET 1 OF 1
			REV P

## X-ON Electronics

Largest Supplier of Electrical and Electronic Components

*Click to view similar products for [Headers & Wire Housings](#) category:*

*Click to view products by [TE Connectivity](#) manufacturer:*

Other Similar products are found below :

[892-18-020-10-001101](#) [58102-G61-06LF](#) [582553-1](#) [0009485154](#) [009176003701906](#) [0050291907](#) [LY20-4P-DT1-P1E-BR](#) [02.125.8002.8](#)  
[609-3404](#) [61062-3](#) [61082-181009](#) [622-3653LF](#) [63453-116](#) [636-1030](#) [636-1427](#) [636-3427](#) [636-4007](#) [641938-9](#) [641991-4](#) [644827-2](#) [65817-010LF](#) [65817-015LF](#) [65863-015LF](#) [66207-023LF](#) [67095-007LF](#) [67601157](#) [68645-018](#) [68648-049](#) [70.362.1628.0](#) [70-4210](#) [70-4226B](#) [70-4853B](#) [707-5020](#) [707-5028](#) [71.350.2428.0](#) [71918-208LF](#) [71961-016LF](#) [733-134](#) [733-162](#) [754199-000](#) [760-3052](#) [787-8014-00](#) [79531-3000](#)  
[FCN-360C032-B](#) [FCN-367T-T012/H](#) [FCN-723D010/2](#) [80.063.4001.1](#) [800-90-001-10-001000](#) [800-90-010-10-002000](#) [801-43-002-10-013000](#)