

THIS DRAWING IS UNPUBLISHED.

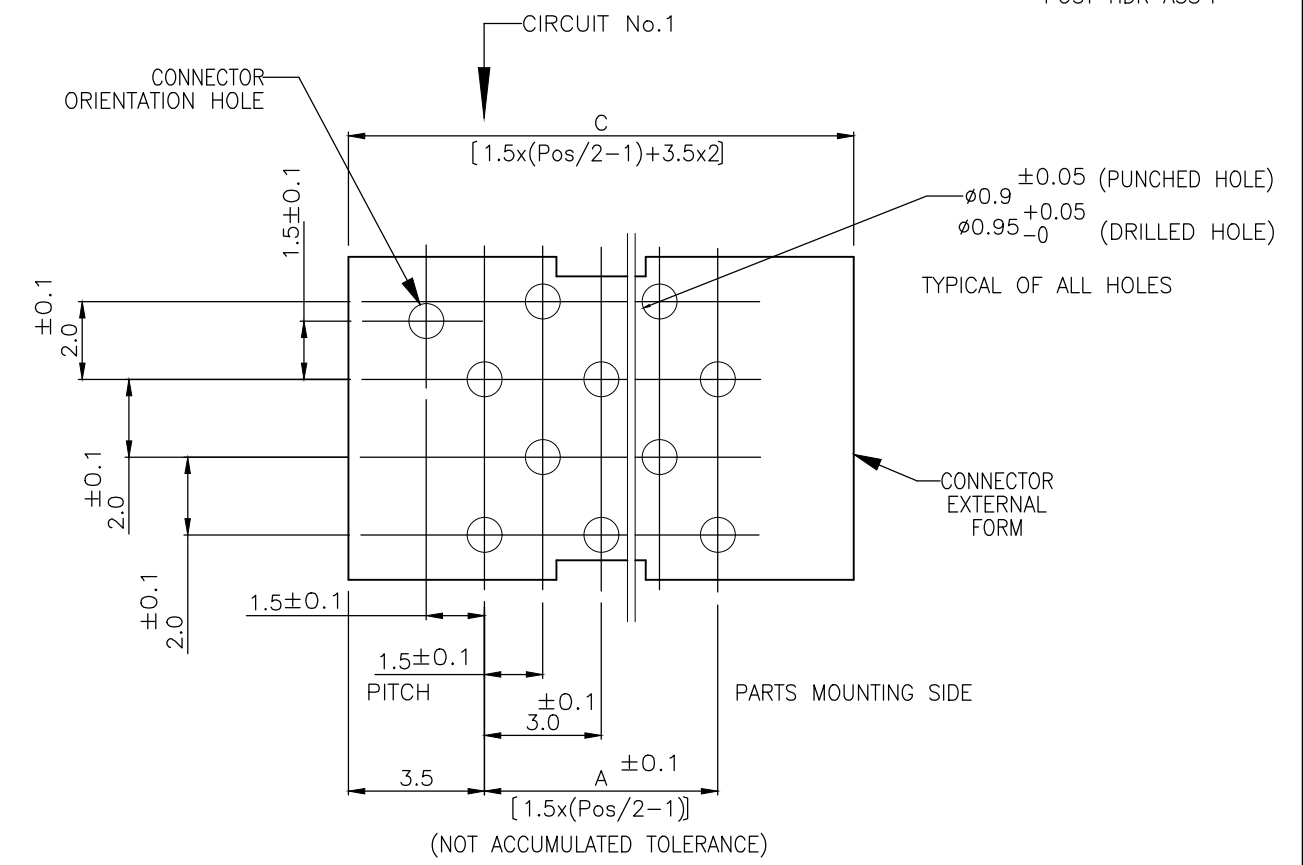
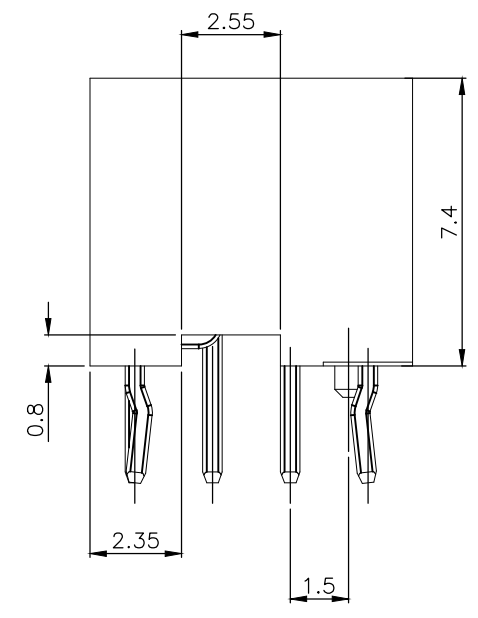
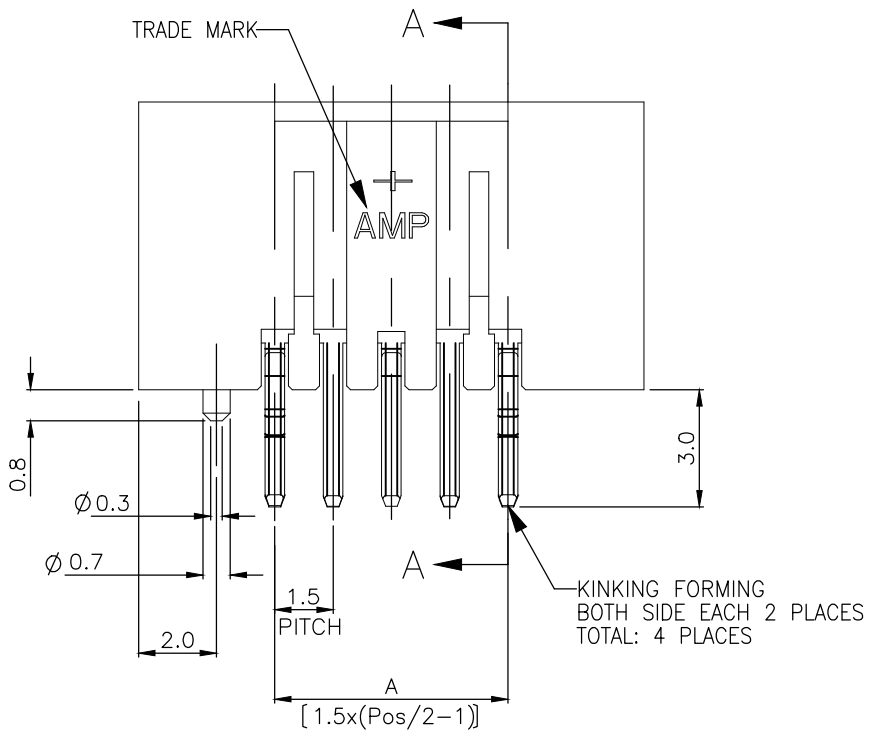
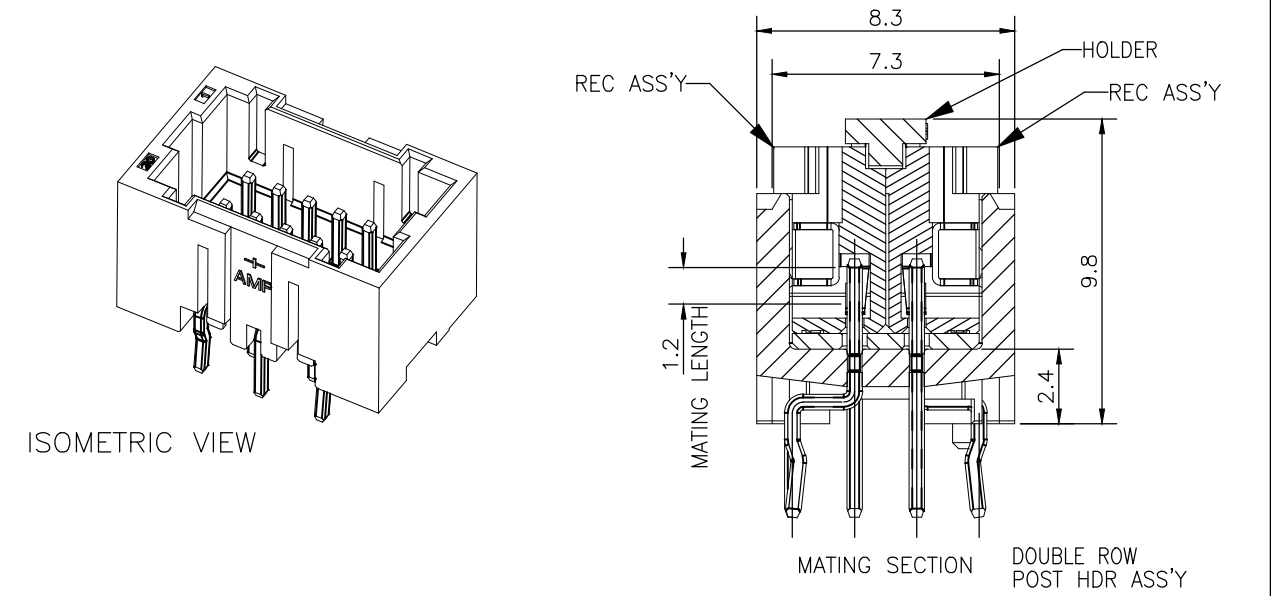
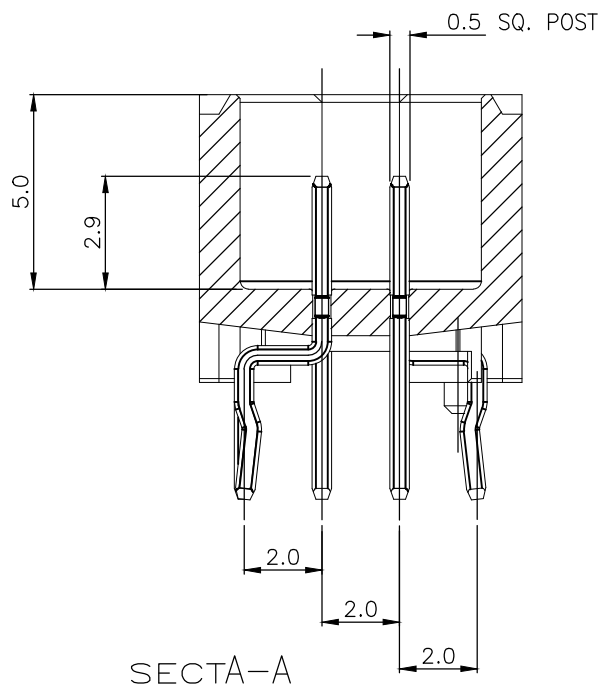
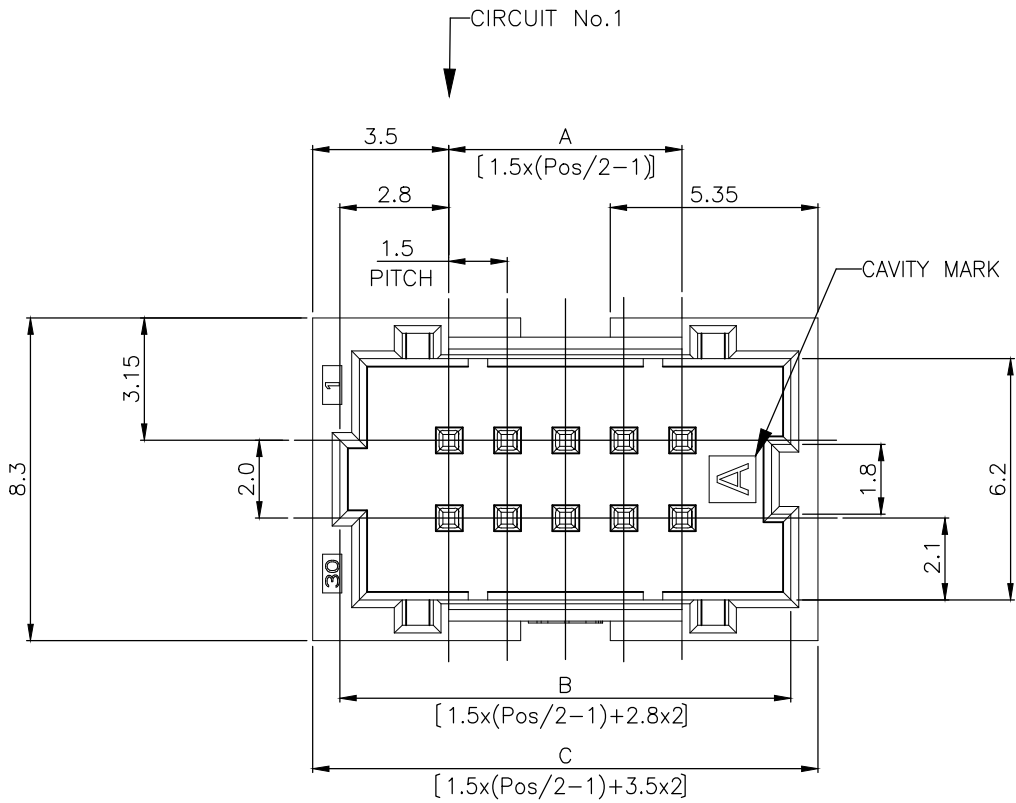
RELEASED FOR PUBLICATION - 04FEB03

© COPYRIGHT - By -

ALL RIGHTS RESERVED.

REVISIONS

| P | LTR | DESCRIPTION | DATE | DWN | APVD |
|---|---------------|-------------|---------|-----|------|
| R | ECR-18-017107 | | 07NOV18 | T.Q | W.H |



P.C.B MOUNTING LAYOUT (APPLICABLE P.C.B THK:1.6mm)

TOLERANCES UNLESS OTHERWISE SPECIFIED:

| | |
|--------------|---------|
| 10 ≥ * | : ±0.2 |
| 30 ≥ * > 10 | : ±0.25 |
| 100 ≥ * > 30 | : ±0.3 |
| ANGLE | : ±3° |

NOTES:

1. MATERIAL:
HOUSING: NYLON(G.F.) UL94V-0, COLOR: GRAY,BLUE,BLACK
POST: PRE-TIN 0.5mm SQ. BRASS WIRE

THIS DRAWING IS A CONTROLLED DOCUMENT.

| | |
|------------------------|--|
| DIMENSIONS: mm | TOLERANCES UNLESS OTHERWISE SPECIFIED: |
| | 0 PLC ± - |
| | 1 PLC ± - |
| | 2 PLC ± - |
| | 3 PLC ± - |
| | 4 PLC ± - |
| | ANGLES ± - |
| MATERIAL SEE NOTE 1 | FINISH SEE NOTE 1 |

| | | |
|------------------|-------------|---------|
| DWN | S.YAO | 31JAN03 |
| CHK | S.YAO | 31JAN03 |
| APVD | T. SASAKI | 31JAN03 |
| PRODUCT SPEC | 108 - 60018 | |
| APPLICATION SPEC | 114 - 5223 | |
| WEIGHT | SEE TABLE | |
| CUSTOMER DRAWING | | |

STE TE Connectivity

Mini CT Conn
Double Row HDR Assy V
DIP Type with Boss Kink

| | | | | |
|-------|------|-----------|------------|---------------|
| NAME | SIZE | CAGE CODE | DRAWING NO | RESTRICTED TO |
| | A3 | 00779 | C-292208 | - |
| SCALE | | SHEET | | REV |
| - | | 1 of 2 | | R |

THIS DRAWING IS UNPUBLISHED. RELEASED FOR PUBLICATION - ,04FEB03
 © COPYRIGHT - By - ALL RIGHTS RESERVED.

| REVISIONS | | | | | |
|-----------|-----|-------------|------|-----|------|
| P | LTR | DESCRIPTION | DATE | DWN | APVD |
| - | - | SEE SHEET 1 | - | - | - |

| | | | | | | | |
|------------|------------|------|------|------|------------|------------|------------|
| 1.67 | 35.5 | 34.1 | 28.5 | 40 | 9-292208-0 | 6-292208-0 | 4-292208-0 |
| 1.60 | 34.0 | 32.6 | 27.0 | 38 | 8-292208-8 | 5-292208-8 | 3-292208-8 |
| 1.53 | 32.5 | 31.1 | 25.5 | 36 | 8-292208-6 | 5-292208-6 | 3-292208-6 |
| 1.46 | 31.0 | 29.6 | 24.0 | 34 | 8-292208-4 | 5-292208-4 | 3-292208-4 |
| 1.38 | 29.5 | 28.1 | 22.5 | 32 | 8-292208-2 | 5-292208-2 | 3-292208-2 |
| 1.31 | 28.0 | 26.6 | 21.0 | 30 | 8-292208-0 | 5-292208-0 | 3-292208-0 |
| 1.24 | 26.5 | 25.1 | 19.5 | 28 | 7-292208-8 | 4-292208-8 | 2-292208-8 |
| 1.17 | 25.0 | 23.6 | 18.0 | 26 | 7-292208-6 | 4-292208-6 | 2-292208-6 |
| 1.10 | 23.5 | 22.1 | 16.5 | 24 | 7-292208-4 | 4-292208-4 | 2-292208-4 |
| 1.03 | 22.0 | 20.6 | 15.0 | 22 | 7-292208-2 | 4-292208-2 | 2-292208-2 |
| WEIGHT (g) | C | B | A | Pos. | BLUE | BLACK | GRAY |
| | DIMENSIONS | | | | PART NO | | |

| | | | | | |
|--|--|------------------------|----------------------------|--------------|------------|
| THIS DRAWING IS A CONTROLLED DOCUMENT. | | DWN S.YAO 31JAN03 | STE TE Connectivity | | |
| DIMENSIONS: mm | | CHK S.YAO 31JAN03 | | | |
| TOLERANCES UNLESS OTHERWISE SPECIFIED: | | APVD T. SASAKI 31JAN03 | NAME Mini CT Conn | | |
| 0 PLC ± - | | PRODUCT SPEC | Double Row HDR Assy V | | |
| 1 PLC ± - | | 108 - 60018 | DIP Type with Boss Kink | | |
| 2 PLC ± - | | APPLICATION SPEC | SIZE | CAGE CODE | DRAWING NO |
| 3 PLC ± - | | 114 - 5223 | A3 | 00779 | C-292208 |
| 4 PLC ± - | | WEIGHT 0.000000 | RESTRICTED TO - | | |
| ANGLES ± - | | CUSTOMER DRAWING | SCALE - | SHEET 2 OF 2 | REV R |
| MATERIAL SEE NOTE 1 | | FINISH SEE NOTE 1 | | | |

X-ON Electronics

Largest Supplier of Electrical and Electronic Components

Click to view similar products for [Headers & Wire Housings](#) category:

Click to view products by [TE Connectivity](#) manufacturer:

Other Similar products are found below :

[892-18-020-10-001101](#) [58102-G61-06LF](#) [582553-1](#) [0009485154](#) [009176003701906](#) [0050291907](#) [LY20-4P-DT1-P1E-BR](#) [02.125.8002.8](#)
[609-3404](#) [61062-3](#) [61082-181009](#) [622-3653LF](#) [63453-116](#) [636-1030](#) [636-1427](#) [636-3427](#) [636-4007](#) [641938-9](#) [641991-4](#) [644827-2](#) [65817-](#)
[010LF](#) [65817-015LF](#) [65863-015LF](#) [66207-023LF](#) [67095-007LF](#) [67601157](#) [68645-018](#) [68648-049](#) [70.362.1628.0](#) [70-4210](#) [70-4226B](#) [70-](#)
[4853B](#) [707-5020](#) [707-5028](#) [71.350.2428.0](#) [71918-208LF](#) [71961-016LF](#) [733-134](#) [733-162](#) [754199-000](#) [760-3052](#) [787-8014-00](#) [79531-3000](#)
[FCN-360C032-B](#) [FCN-367T-T012/H](#) [FCN-723D010/2](#) [80.063.4001.1](#) [800-90-001-10-001000](#) [800-90-010-10-002000](#) [801-43-002-10-013000](#)