

4

3

2

1

THIS DRAWING IS UNPUBLISHED.

RELEASED FOR PUBLICATION

, 19

© COPYRIGHT 19

BY AMP INCORPORATED. ALL RIGHTS RESERVED.

LOC	DIST	REVISIONS			
P	LTR	DESCRIPTION	DATE	DWN	APVD
ES	00	BI REVISED	ECR-09-024244	06NOV09	C.Z S.Y

Dimensions: 4, 2, $\phi 1.5$, 1.75, A, B, D, $C \pm 0.3$ TAPE WIDTH, 1.8 TYP, 1.5, 1.7, P.

NOTE:

1. PEELING STRENGTH: 0.20-0.69N(20-70gf)
 PEELING ANGLE: 165-180°
 PEELING SPEED: 300mm/MINUTE.

ADHESIVE TAPE, FLANGE, COVER TAPE, SECURE TO FLANGE WITH ADHESIVE TAPE.

$\phi 330$ REEL DIA, $\phi 80$ FLANGE CORE DIA, APPROX 300mm WITHOUT CHARGE, WITH PRODUCT CHARGE, APPROX 300mm WITHOUT CHARGE, HOLES 12, WIND COVER TAPE AROUND OUTER PERIPHERY 1 TURN, PEELING ANGLE 165-180°.

Dimensions: 16, 8.6, 11.2, 7.6, OFF TOP OF REEL.

SECT A-A

TOLERANCES UNLESS OTHERWISE SPECIFIED:

10 > : ± 0.2
 30 > * > 10 : ± 0.25
 100 > * > 30 : ± 0.3
 ANGLE : $\pm 3^\circ$

THIS DRAWING IS A CONTROLLED DOCUMENT FOR AMP INCORPORATED. IT IS SUBJECT TO CHANGE AND THE CONTROLLING ENGINEERING ORGANIZATION SHOULD BE CONTACTED FOR THE LATEST REVISION.		DWN	S. XU	31JAN03	WTR RANGE		INSULATION DIA	
DIMENSIONS: mm		CHK	S. YAO	31JAN03	Tyco Electronics Corporation SHANGHAI, CHINA			
		APVD	T. SASAKI	31JAN03				
TOLERANCES UNLESS OTHERWISE SPECIFIED:		PRODUCT SPEC	108-60018		NAME			
0 PLC \pm 1 PLC ± 0.1 2 PLC ± 0.15 3 PLC ± 0.001 4 PLC ± 0.0001 ANGLES \pm		APPLICATION SPEC	114-5223		AMP Mini Common Terminated (CT) Connector 1.5mm PITCH DOUBLE ROW POST HDR ASS'Y (V) SMT TYPE WITH BOSS, EMBOSS TAPE PACKAGED			
MATERIAL		WEIGHT	CUSTOMER DRAWING		SIZE	CAGE CODE	DRAWING NO	RESTRICTED TO
FINISH		A3		00779	C-292229		-	
		SCALE		NON	SHEET		1 of 4	REV
								B1


AMP 1470-19 REV 27JUN96

LOC	DIST	REVISIONS					
FB	00	P	LTR	DESCRIPTION	DATE	DWN	APVD

37.5	33.5	52.4	56	35.8	26.2	400	40	BLACK	9-292229-0
37.5	33.5	40.4	44	34.3	20.2	400	38		8-292229-8
37.5	33.5	40.4	44	32.8	20.2	400	36		8-292229-6
29.5	25.5	40.4	44	31.3	20.2	400	34		8-292229-4
29.5	25.5	40.4	44	29.8	20.2	400	32		8-292229-2
29.5	25.5	40.4	44	28.3	20.2	400	30		8-292229-0
29.5	25.5	40.4	44	26.8	20.2	400	28		7-292229-8
21.5	17.5	40.4	44	25.3	20.2	400	26		7-292229-6
21.5	17.5	40.4	44	23.8	20.2	400	24		7-292229-4
21.5	17.5	28.4	32	22.2	14.2	400	22		7-292229-2
W2	W1	D	C	B	A	QTY/ REEL	POS	COLOR	ON TAPE P/N
DIMENSIONS									

37.5	33.5	52.4	56	35.8	26.2	400	40	BEIGE	4-292229-0
37.5	33.5	40.4	44	34.3	20.2	400	38		3-292229-8
37.5	33.5	40.4	44	32.8	20.2	400	36		3-292229-6
29.5	25.5	40.4	44	31.3	20.2	400	34		3-292229-4
29.5	25.5	40.4	44	29.8	20.2	400	32		3-292229-2
29.5	25.5	40.4	44	28.3	20.2	400	30		3-292229-0
29.5	25.5	40.4	44	26.8	20.2	400	28		2-292229-8
21.5	17.5	40.4	44	25.3	20.2	400	26		2-292229-6
21.5	17.5	40.4	44	23.8	20.2	400	24		2-292229-4
21.5	17.5	28.4	32	22.2	14.2	400	22		2-292229-2
W2	W1	D	C	B	A	QTY/ REEL	POS	COLOR	ON TAPE P/N
DIMENSIONS									

WIRE RANGE	INSULATION DIA
------------	----------------

DIMENSIONS: mm	DWN	MATERIAL	FINISH
TOLERANCES UNLESS OTHERWISE SPECIFIED: 0 PLC ±- 1 PLC ±0.1 2 PLC ±0.15 3 PLC ±0.001 4 PLC ±0.0001 ANGLES ±-	CHK	 Tyco Electronics Corporation SHANGHAI, CHINA	
	APVD	NAME AMP Mini Common Terminated (CT) Connector 1.5mm PITCH DOUBLE ROW POST HDR ASS'Y (V) SMT TYPE WITH BOSS, EMBOSS TAPE PACKAGED	
	PRODUCT SPEC SEE SHEET 1 OF 4	SIZE	RESTRICTED TO
	APPLICATION SPEC SEE SHEET 1 OF 4	CAGE CODE	
	WEIGHT	DRAWING NO	
	CUSTOMER DRAWING	A4 00779 C=292229	
	SCALE NON	SHEET 2 OF 4	REV B1

THIS DRAWING IS UNPUBLISHED.
 BY TYCO ELECTRONICS CORPORATION. ALL RIGHTS RESERVED.
 © COPYRIGHT

RELEASED FOR PUBLICATION

4

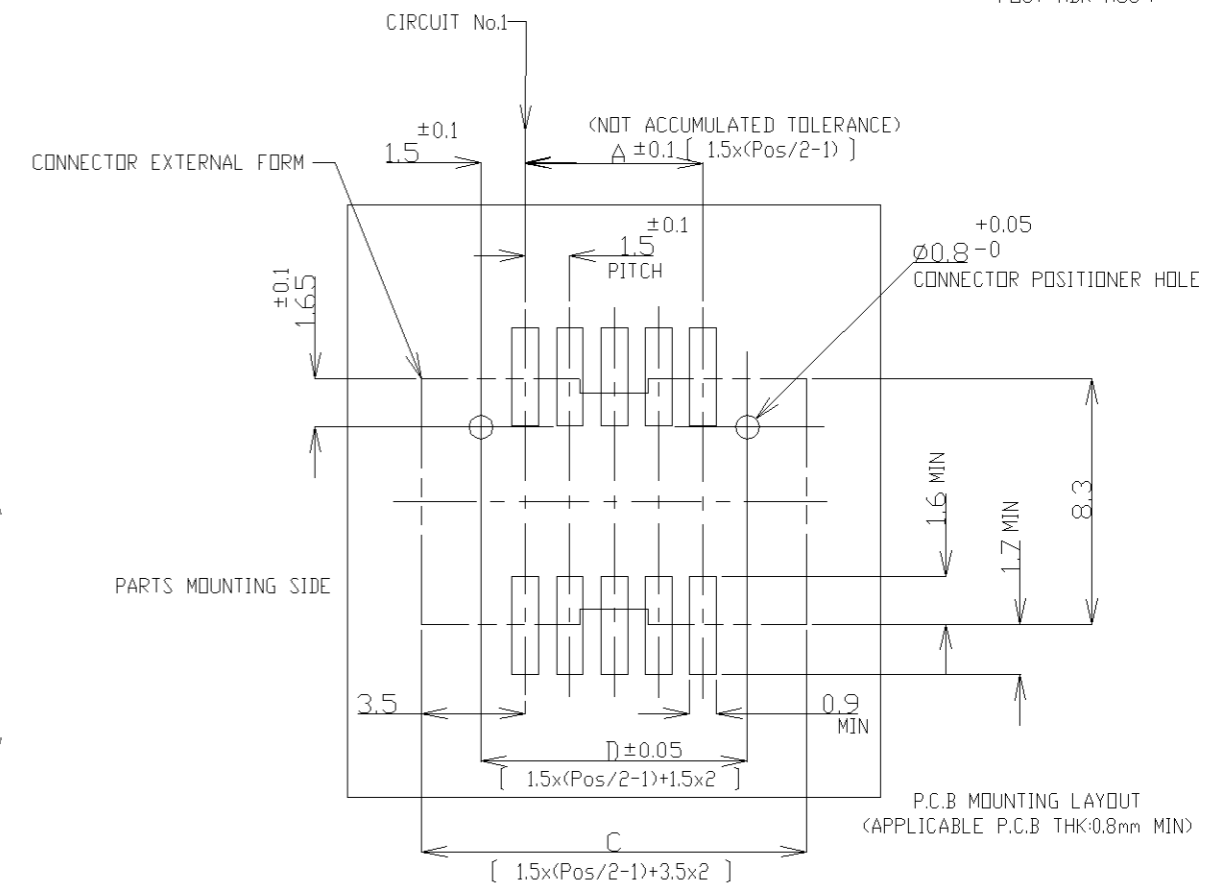
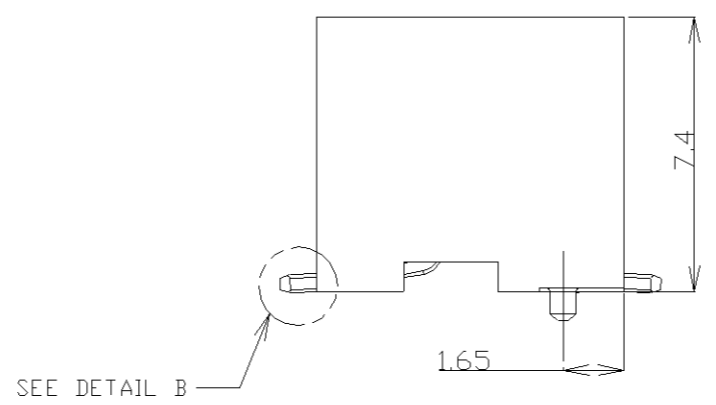
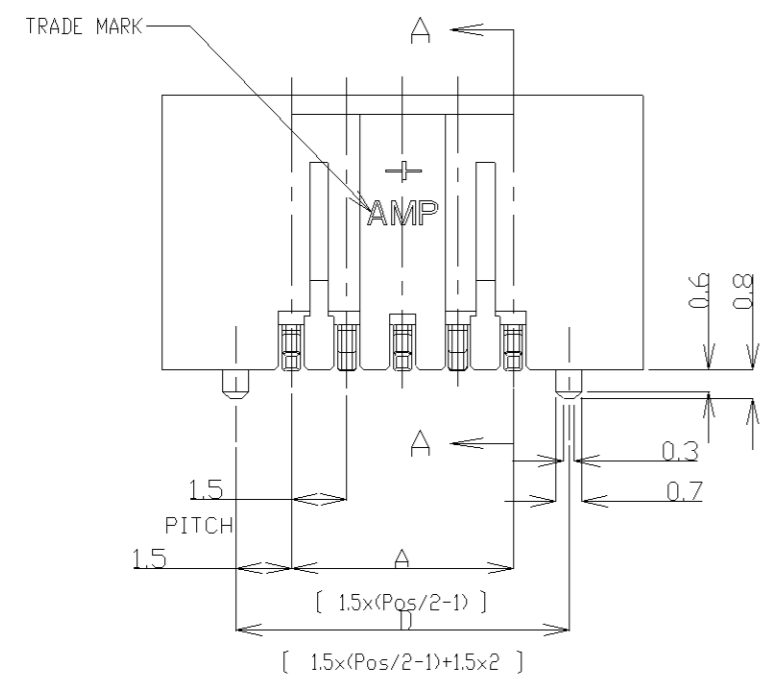
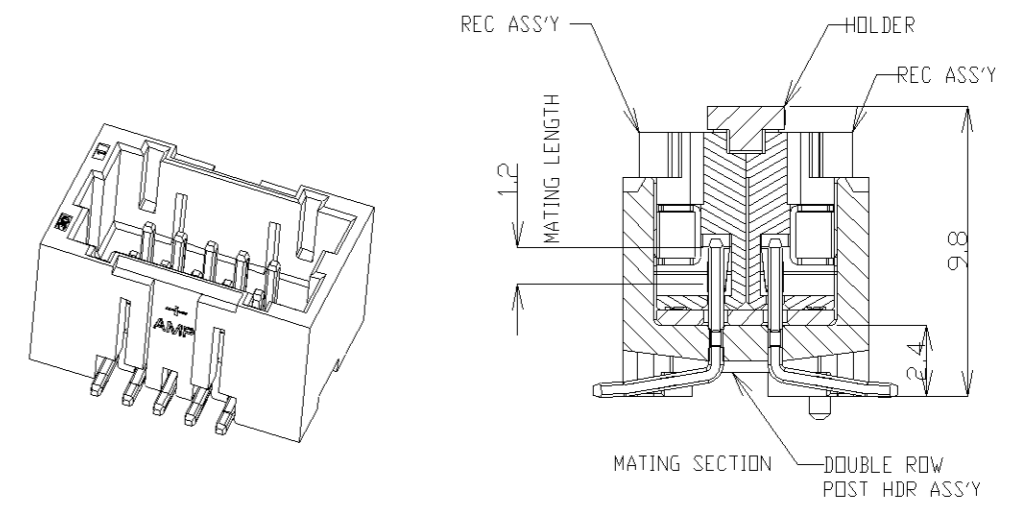
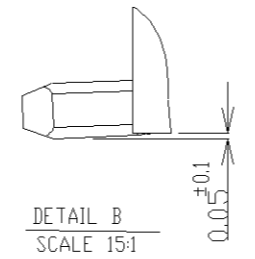
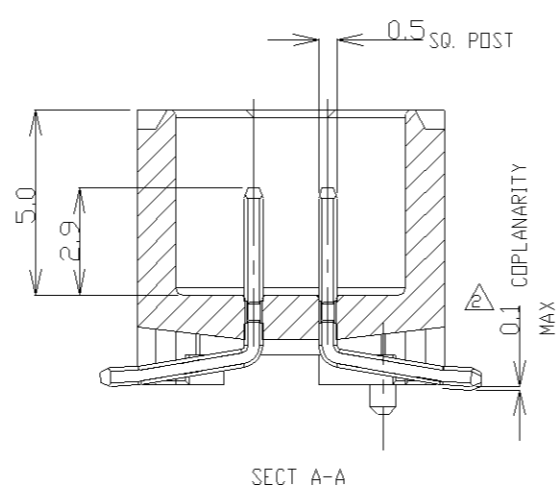
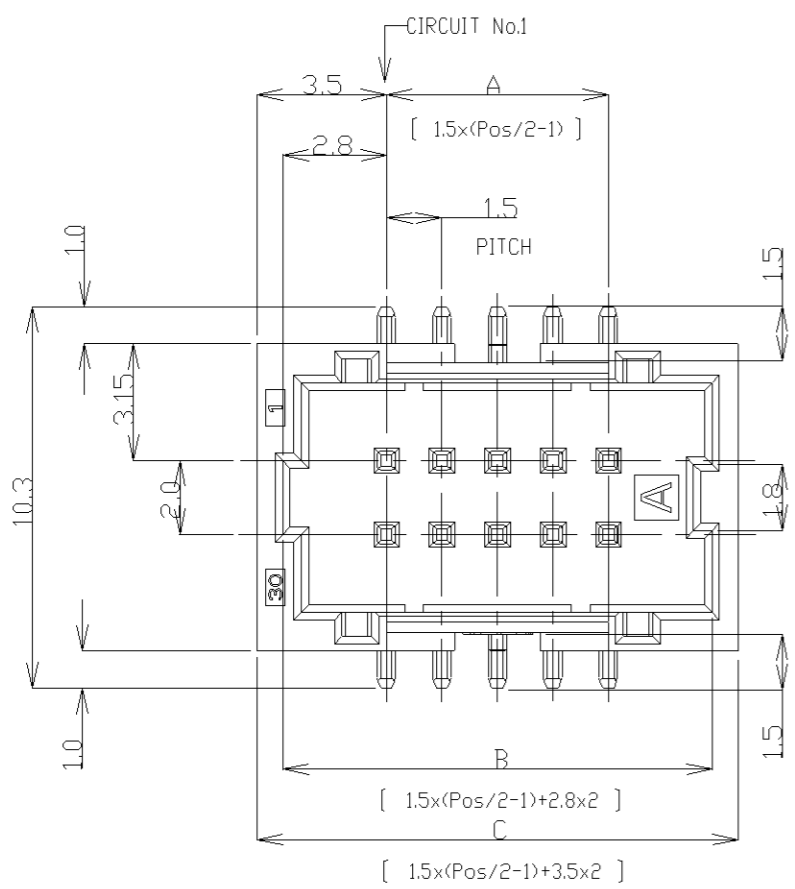
3

2

1

THIS DRAWING IS UNPUBLISHED. RELEASED FOR PUBLICATION
 © COPYRIGHT BY TYCO ELECTRONICS CORPORATION. ALL INTERNATIONAL RIGHTS RESERVED.

LOC	DIST	REVISIONS					
		P	LTR	DESCRIPTION	DATE	DWN	APVD
ES	00	-	-		-	-	-



NOTES:
 1. MATERIAL:
 HOUSING-HIGH HEAT RESISTANT, GLASS FILLED NYLON, UL94V-0, COLOR-BEIGE, BLACK
 POST-Sn-100% BRASS WIRE
 TO BE MEASURED WITH CONNECTOR PLACED ON HORIZONTAL DATUM SURFACE,
 FLOAT OF SOLDER TINE FROM DATUM SURFACE IS 0.1mm MAX.

TOLERANCES UNLESS OTHERWISE SPECIFIED:

10 >	±0.2
30 > 10	±0.25
100 > 30	±0.3
ANGLE	±3°

THIS DRAWING IS A CONTROLLED DOCUMENT.


DIMENSIONS:	TOLERANCES UNLESS OTHERWISE SPECIFIED:
mm	
	0 PLC ±
	1 PLC ±
	2 PLC ±
	3 PLC ±
	4 PLC ±
	ANGLES ±
MATERIAL	FINISH
SEE NOTE 1	SEE NOTE 1

DWN	---	Tyco Electronics Corporation Shanghai, P.R. China, 200233
CHK	---	
APVD	---	NAME AMP Mini Common Terminated (CT) Connector 1.5mm PITCH DBL ROW POST HDR ASS'Y (V) SMT TYPE WITH BOSS
PRODUCT SPEC	---	
APPLICATION SPEC	---	SIZE A3 00779 C=292229
WEIGHT	---	
CUSTOMER DRAWING		RESTRICTED TO
SCALE	NON	SHEET 3 of 4
		REV B1

LOC		DIST		REVISIONS		
P	LTR	DESCRIPTION		DATE	DWN	APVD
-	-	-	-	-	-	-

31.5	35.5	34.1	28.5	40	9-292229-0	4-292229-0
30.0	34.0	22.6	27.0	38	8-292229-8	3-292229-8
28.5	32.5	31.1	25.5	36	8-292229-6	3-292229-6
27.0	31.0	29.6	24.0	34	8-292229-4	3-292229-4
25.5	29.5	28.1	22.5	32	8-292229-2	3-292229-2
24.0	28.0	26.6	21.0	30	8-292229-0	3-292229-0
22.5	26.5	25.1	19.5	28	7-292229-8	2-292229-8
21.0	25.0	23.6	18.0	26	7-292229-6	2-292229-6
19.5	23.5	22.1	16.5	24	7-292229-4	2-292229-4
18.0	22.0	20.6	15.0	22	7-292229-2	2-292229-2
D	C	B	A	Pos.	BLACK	BEIGE
DIMENSIONS					P/N	

THIS DRAWING IS UNPUBLISHED. BY TYCO ELECTRONICS CORPORATION. © COPYRIGHT - ALL INTERNATIONAL RIGHTS RESERVED.

DIMENSIONS: mm TOLERANCES UNLESS OTHERWISE SPECIFIED: 0 PLC ± - 1 PLC ± - 2 PLC ± - 3 PLC ± - 4 PLC ± - ANGLES ± -	DWN	MATERIAL		FINISH	
	CHK	 Tyco Electronics Corporation Shanghai, P.R. China. 200233			
	APVD	NAME AMP Mini Common Terminated (CT) Conn. 1.5mm PITCH DBL ROW POST HDR ASS'Y (V) SMT TYPE W BOSS			
	PRODUCT SPEC	SIZE	CAGE CODE	DRAWING NO	RESTRICTED TO
	APPLICATION SPEC	A4	00779	©-292229	-
	WEIGHT	CUSTOMER DRAWING SCALE NON SHEET 4 of 4 REV B1			

X-ON Electronics

Largest Supplier of Electrical and Electronic Components

Click to view similar products for [Headers & Wire Housings](#) category:

Click to view products by [TE Connectivity](#) manufacturer:

Other Similar products are found below :

[892-18-020-10-001101](#) [58102-G61-06LF](#) [582553-1](#) [0009485154](#) [009176003701906](#) [0050291907](#) [LY20-4P-DT1-P1E-BR](#) [02.125.8002.8](#)
[609-3404](#) [61062-3](#) [61082-181009](#) [622-3653LF](#) [63453-116](#) [636-1030](#) [636-1427](#) [636-3427](#) [636-4007](#) [641938-9](#) [641991-4](#) [644827-2](#) [65817-](#)
[010LF](#) [65817-015LF](#) [65863-015LF](#) [66207-023LF](#) [67095-007LF](#) [67601157](#) [68645-018](#) [68648-049](#) [70.362.1628.0](#) [70-4210](#) [70-4226B](#) [70-](#)
[4853B](#) [707-5020](#) [707-5028](#) [71.350.2428.0](#) [71918-208LF](#) [71961-016LF](#) [733-134](#) [733-162](#) [754199-000](#) [760-3052](#) [787-8014-00](#) [79531-3000](#)
[FCN-360C032-B](#) [FCN-367T-T012/H](#) [FCN-723D010/2](#) [80.063.4001.1](#) [800-90-001-10-001000](#) [800-90-010-10-002000](#) [801-43-002-10-013000](#)