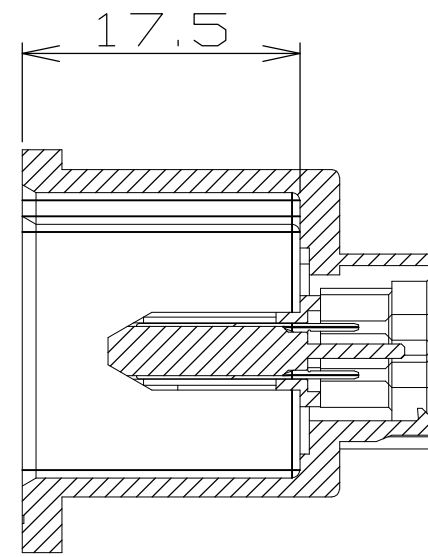
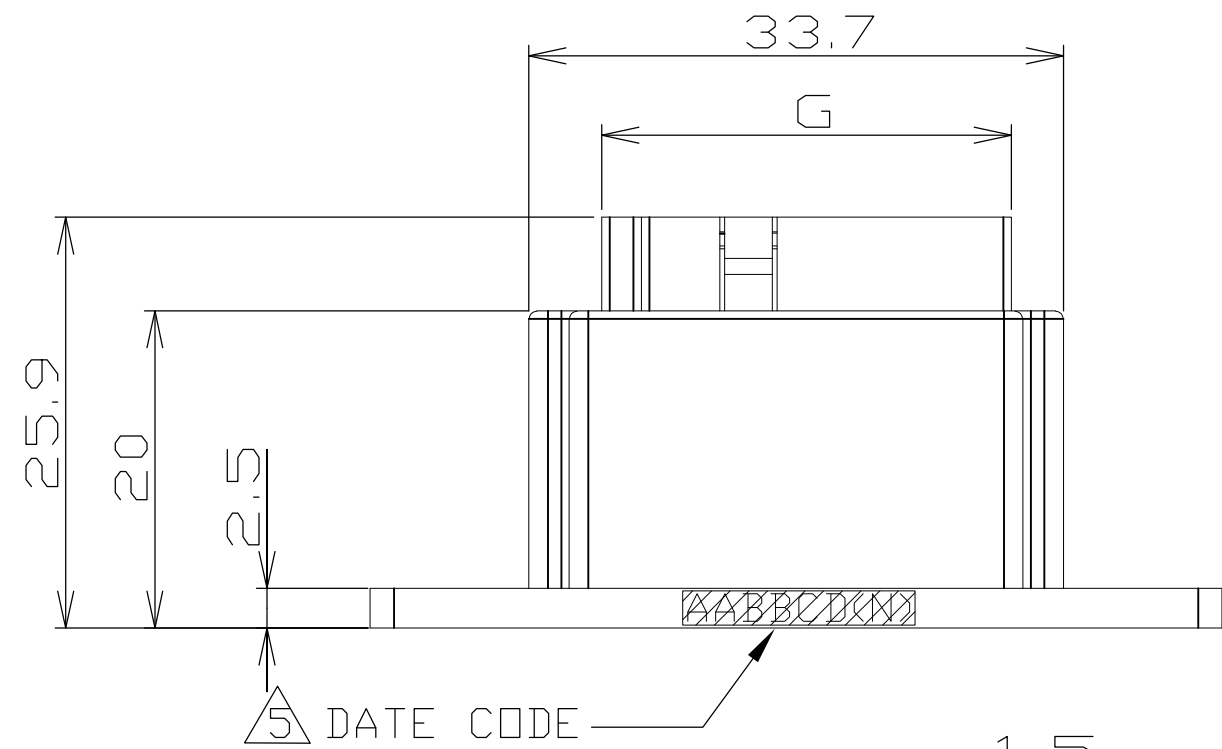
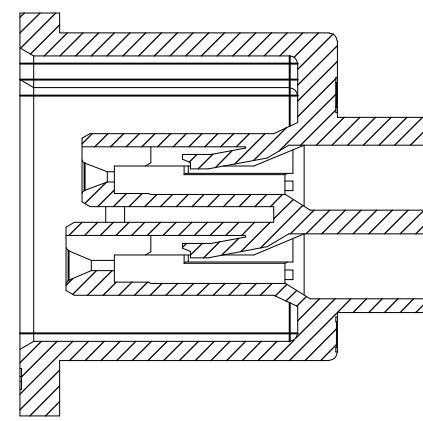
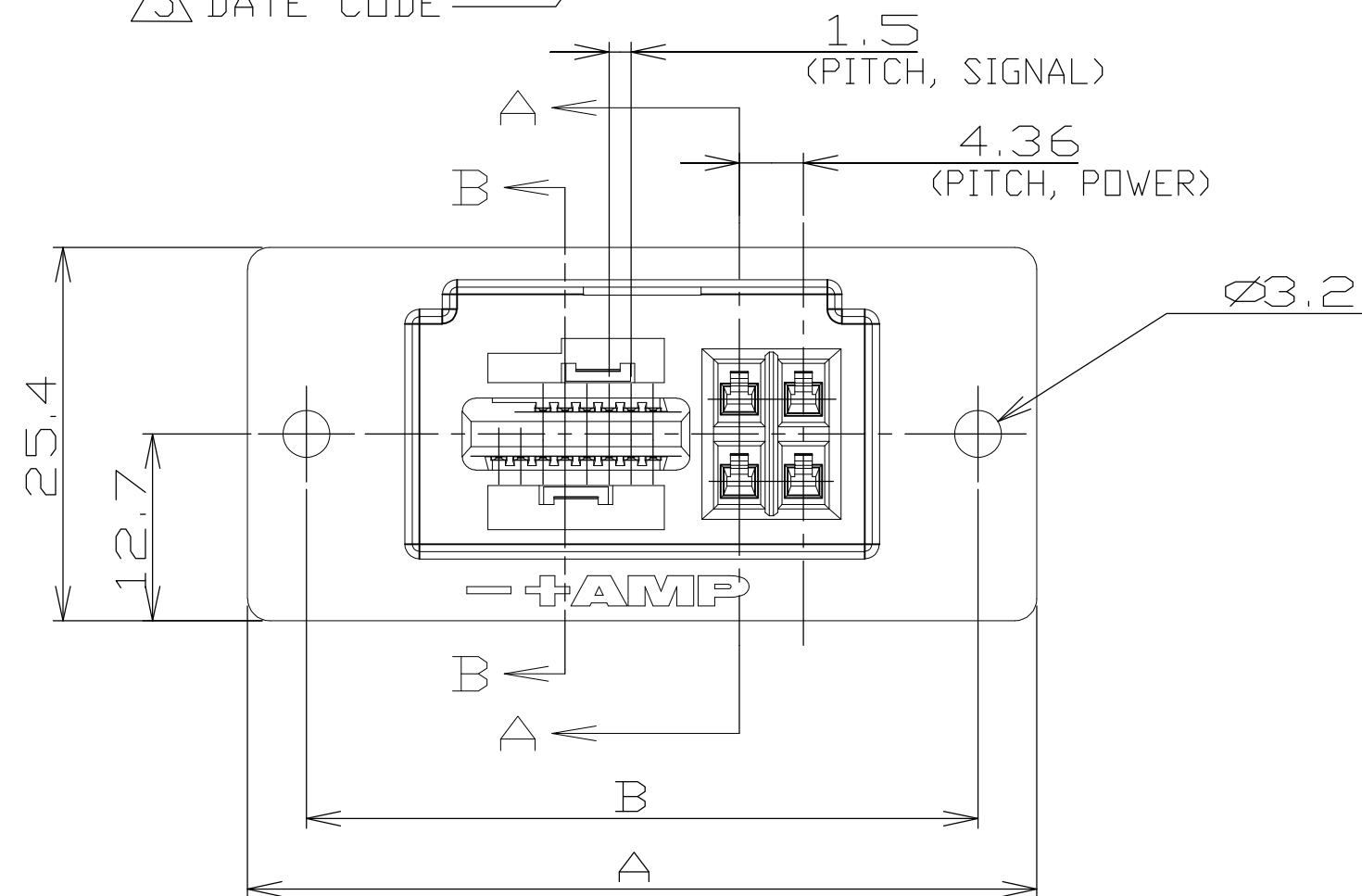


THIS DRAWING IS UNPUBLISHED. RELEASED FOR PUBLICATION
 © COPYRIGHT BY TYCO ELECTRONICS CORPORATION. ALL RIGHTS RESERVED.

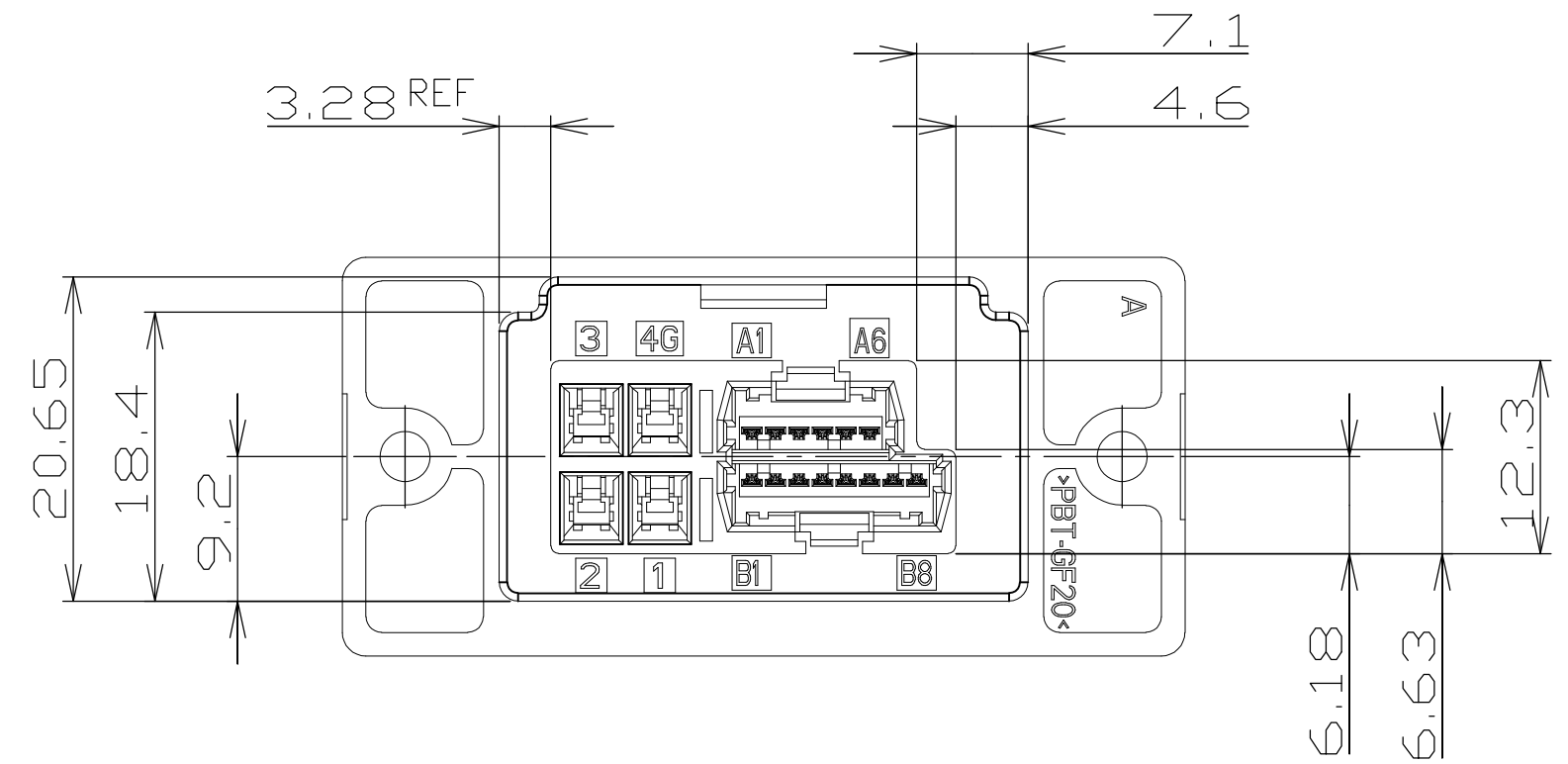
LOC		DIST		REVISIONS			
P	LTR	DESCRIPTION	DATE	DWN	APVD		
B1		REVISED ECR-07-028230	26NOV07	A,L	S,Y		



SECT B-B



SECT A-A



- NOTES:
 ① USE WITH: MT REC CONN P/N: X-353293-X
 CRIMP HSG P/N: X-353908-X
 CRIMP CONT P/N: 353907-1
 353918-1(L/P)

② USE WITH POWER CONTACT P/N: 1123907-1 (NOT ASSEMBLED WHEN SHIPPED)

③ MATERIAL:
 HOUSING: GLASS FILLED THERMOPLASTIC, UL94V-0, GRAY
 SIGNAL CONTACT: BRASS
 FINISH (SIGNAL CONTACT):
 NICKEL UNDERPLATE ALL OVER
 LATTICE MATING AREA: GOLD PLATE
 MINI CT MATING AREA: MATTE TIN PLATE

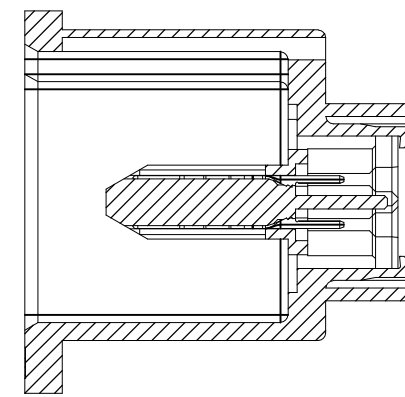
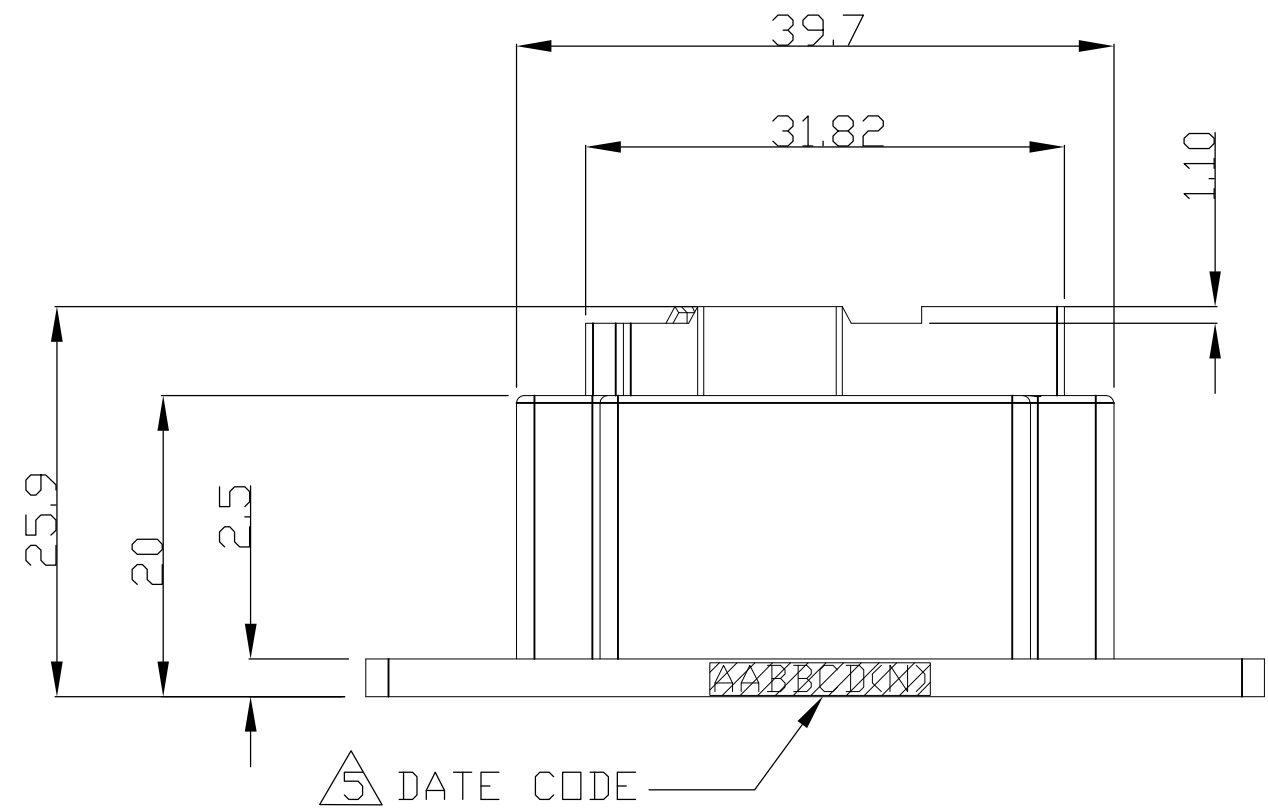
④ LOCATION OF DATE CODE: AABBCD(N)
 (AA: YEAR, BB: WEEK, C: DAY OF WEEK, D: DAYTIME, N: NIGHT)

11.3	25.82	3.75	4.25	34.7	33.7	45.7	53.7	C	14(6+8)	4	5-292246-4
11.3	25.82	3.75	4.25	34.7	33.7	45.7	53.7	B	14(6+8)	4	3-292246-4
11.3	25.82	2.05	2.55	34.7	33.7	45.7	53.7	A	14(6+8)	4	1-292246-4
WEIGHT (g)	G	F	E	D	C	B	A	KEY TYPE	SIGNAL	POWER	PART NUMBER

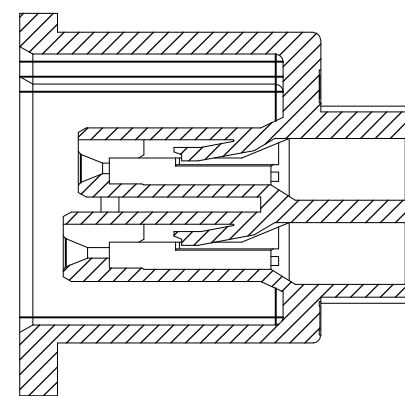
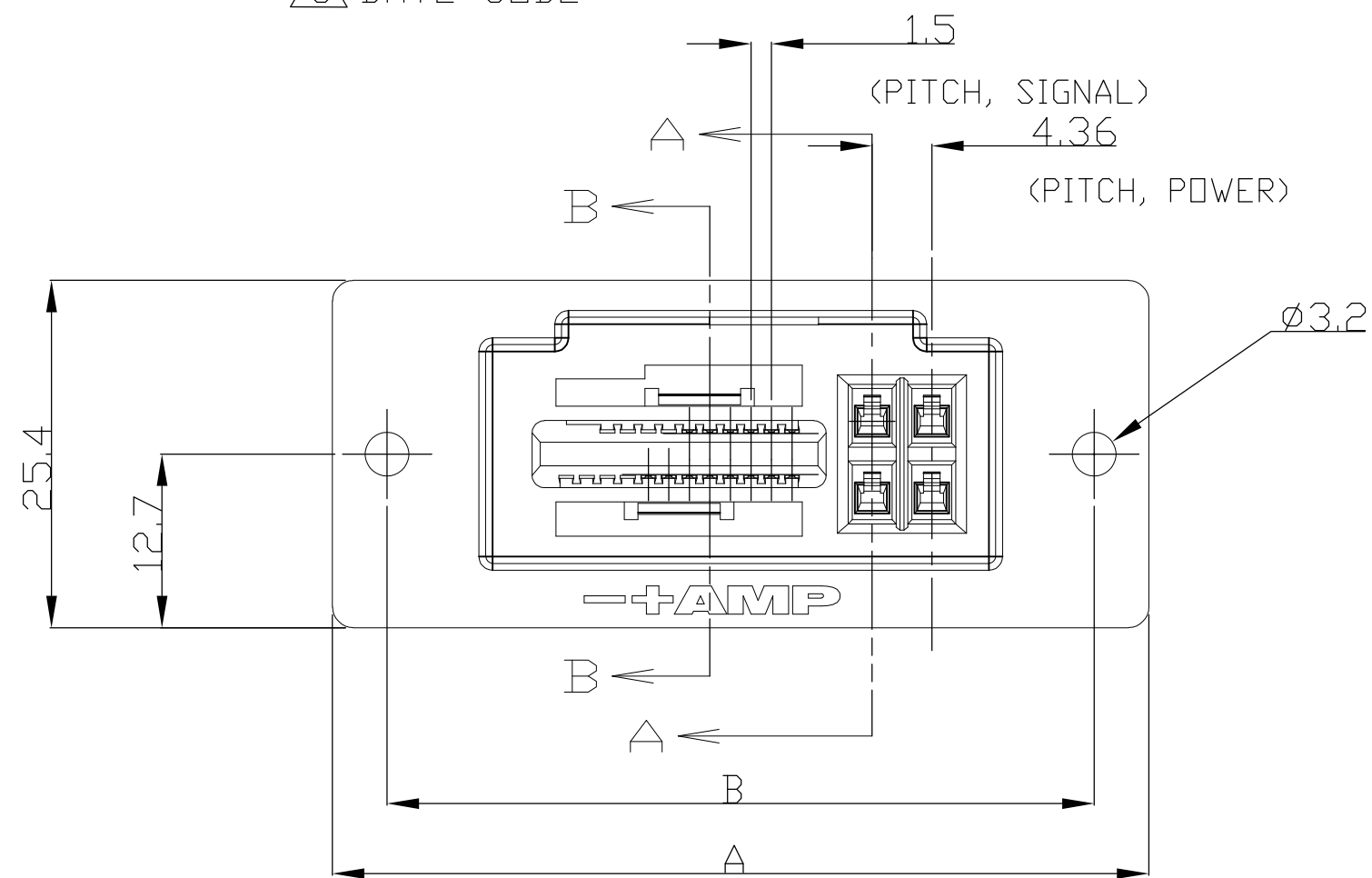
THIS DRAWING IS A CONTROLLED DOCUMENT.		DWN	J,JIANG	05FEB03	Tyco Electronics Corporation Shanghai, PRC 200233	
DIMENSIONS: mm		CHK	S,Y	05FEB03	NAME	
TOLERANCES UNLESS OTHERWISE SPECIFIED: 0 PLC ± - 1 PLC ± - 2 PLC ± - 3 PLC ± - 4 PLC ± - ANGLES ± -		APVD	T,SASAKI	05FEB03	PRODUCT SPEC	
MATERIAL SEE NOTE		FINISH SEE NOTE		APPLICATION SPEC		SIZE
				108-60028		CAGE CODE
				114-5256		DRAWING NO
				WEIGHT		RESTRICTED TO
				CUSTOMER DRAWING		SCALE
				A2 00779 C=292246		SHEET
				NTS		1 of 3
				REV		B1

THIS DRAWING IS UNPUBLISHED. RELEASED FOR PUBLICATION
 © COPYRIGHT BY TYCO ELECTRONICS CORPORATION. ALL RIGHTS RESERVED.

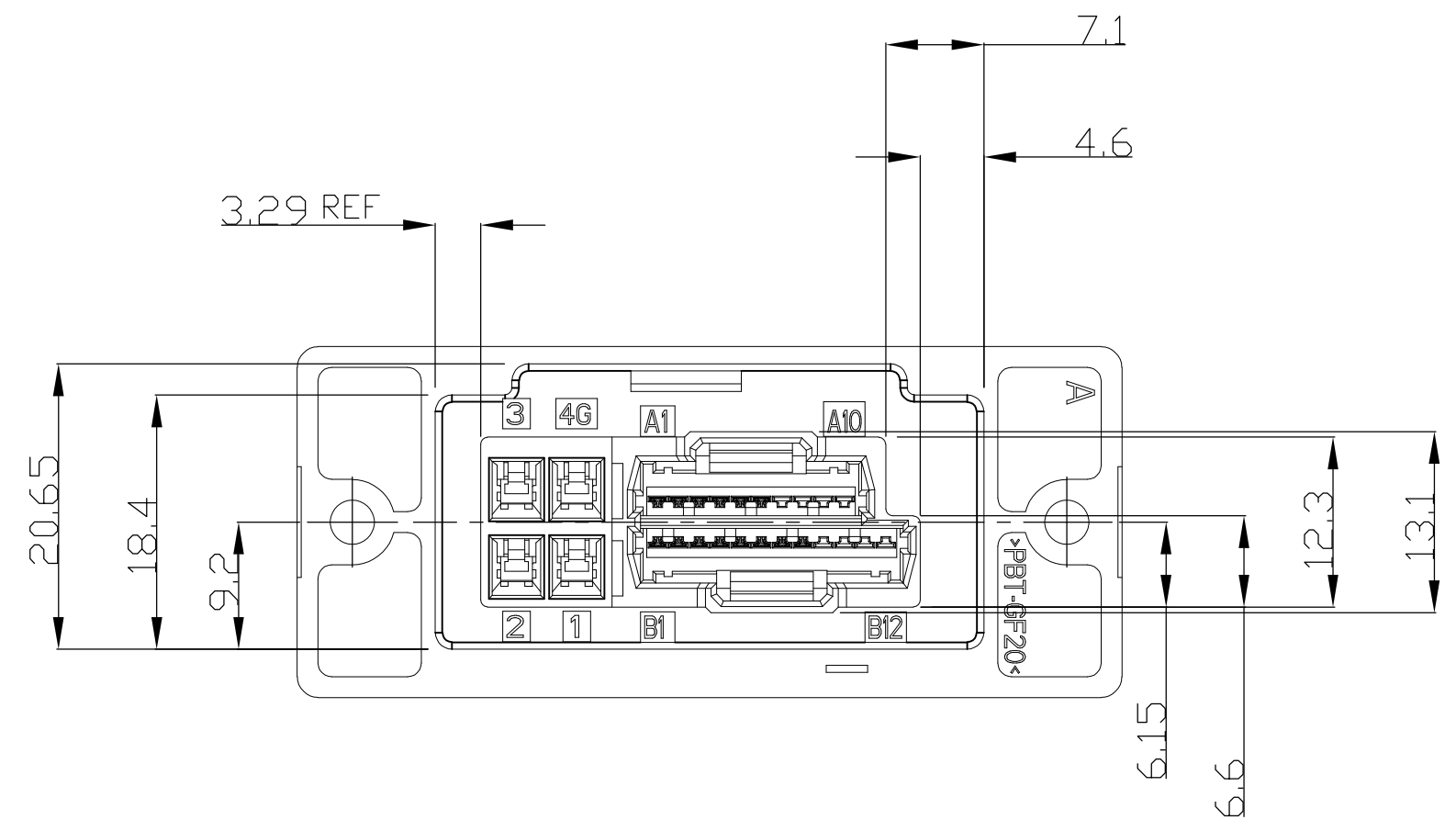
LOC		DIST		REVISIONS			
P	LTR	DESCRIPTION	DATE	DWN	APVD		
-	-	SEE SHEET 1	-	-	-		



SECT B-B



SECT A-A



NOTES:

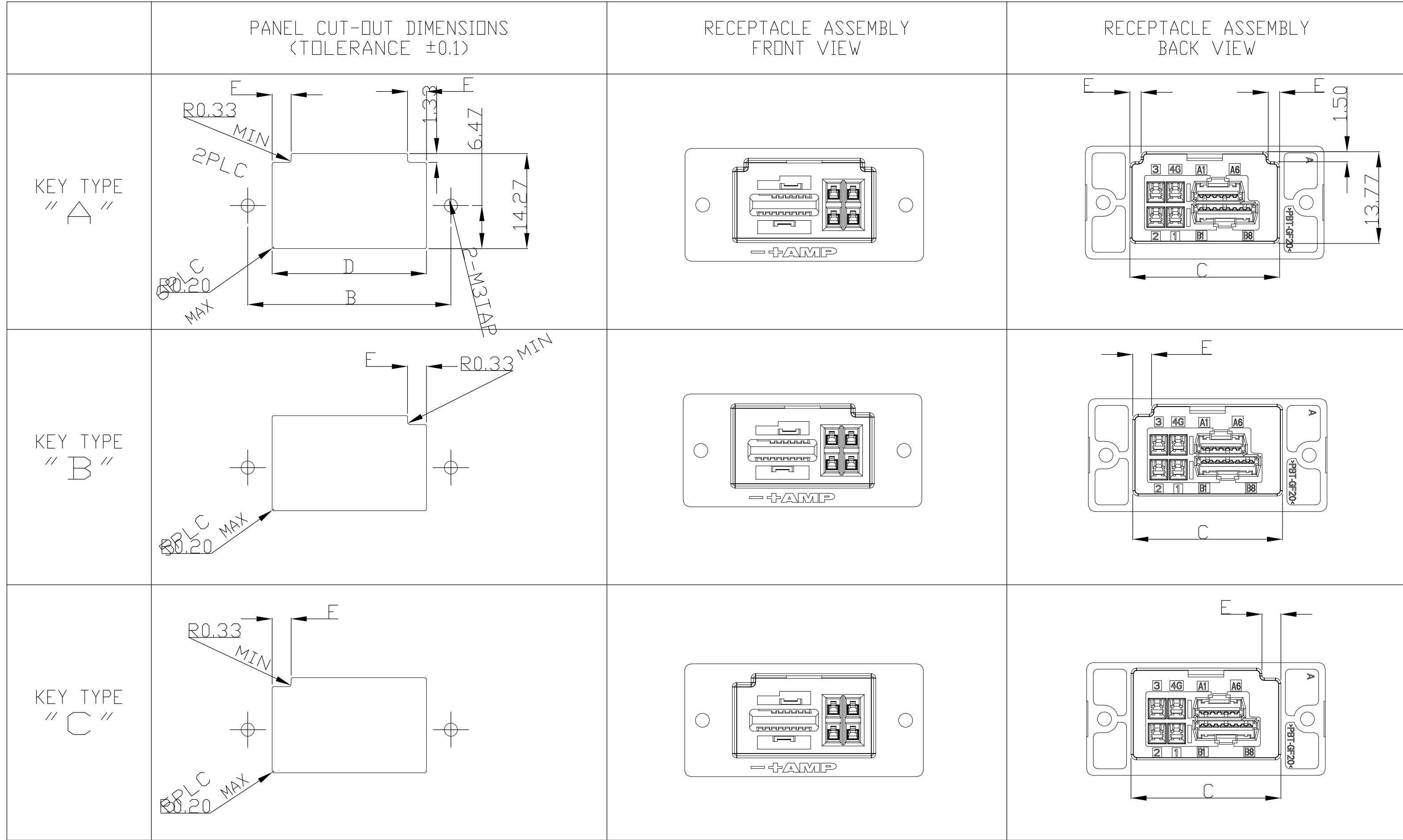
- ① USE WITH MT REC CONN P/N: X-353293-X
 CRIMP HSG P/N: X-353908-X
 CRIMP CNT P/N: 353907-1
 353918-1(L/P)
- ② USE WITH POWER CONTACT P/N: 1123907-1 (NOT ASSEMBLED WHEN SHIPPED)
- ③ MATERIAL:
 HOUSING: GLASS FILLED THERMOPLASTIC, UL94V-0, GRAY
 SIGNAL CONTACT: BRASS
- ④ FINISH (SIGNAL CONTACT):
 NICKEL UNDERPLATE ALL OVER
 LATTICE MATING AREA: GOLD PLATE
 MINI CT MATING AREA: MATTE TIN PLATE
- ⑤ LOCATION OF DATE CODE: AABBCD(N)
 (AA: YEAR, BB: WEEK, C: DAY OF WEEK, D: DAYTIME, N: NIGHT)

13.0	31.82	6.75	7.25	40.7	39.7	51.7	59.7	C	22(10+12)	4	6-292246-2
13.0	31.82	6.75	7.25	40.7	39.7	51.7	59.7	B	22(10+12)	4	4-292246-2
13.0	31.82	5.05	5.55	40.7	39.7	51.7	59.7	A	22(10+12)	4	2-292246-2
WEIGHT (g)	G	F	E	D	C	B	A	KEY TYPE	SIGNAL POSITION	POWER SIZE	PART NUMBER

THIS DRAWING IS A CONTROLLED DOCUMENT.		DWN	-	Tyco Electronics Corporation Shanghai, PRC 200233
DIMENSIONS: mm		CHK	-	
TOLERANCES UNLESS OTHERWISE SPECIFIED:		APVD	-	
0 PLC ± 1 PLC ± 2 PLC ± 3 PLC ± 4 PLC ± ANGLES ± FINISH ±		NAME	-	
MATERIAL		PRODUCT SPEC	-	RECEPTACLE ASSEMBLY FOR AMP 1.5 PITCH MINI CT HYBRID LATTICE CONNECTOR
		APPLICATION SPEC	-	SIZE: A2 CAGE CODE: 00779 DRAWING NO: C-292246
		WEIGHT	-	RESTRICTED TO: -
		CUSTOMER DRAWING		SCALE: NTS SHEET: 2 of 3 REV: B1

THIS DRAWING IS UNPUBLISHED. RELEASED FOR PUBLICATION
 © COPYRIGHT BY TYCO ELECTRONICS CORPORATION. ALL RIGHTS RESERVED.

REVISIONS				DATE	DWN	APVD
P	LTR	DESCRIPTION				
-	-	SEE SHEET 1	-	-	-	-



THIS DRAWING IS A CONTROLLED DOCUMENT.		DWN	-	Tyco Electronics Corporation		Shanghai ,PRC 200233	
DIMENSIONS: mm		CHK	-	NAME			
TOLERANCES UNLESS OTHERWISE SPECIFIED:		APVD	-	RECEPTACLE ASSEMBLY FOR AMP 1.5 PITCH MINI CT HYBRID LATTICE CONNECTOR			
0 PLC ± -		PRODUCT SPEC	-	SIZE	CAGE CODE	DRAWING NO	RESTRICTED TO
1 PLC ± -		APPLICATION SPEC	-	A2	00779	C=292246	-
2 PLC ± -		WEIGHT	-	CUSTOMER DRAWING		SCALE	SHEET
3 PLC ± -		FINISH	-	NTS		3 OF 3	REV
4 PLC ± -			-				B1
ANGLES ± -			-				

X-ON Electronics

Largest Supplier of Electrical and Electronic Components

Click to view similar products for [Headers & Wire Housings](#) category:

Click to view products by [TE Connectivity](#) manufacturer:

Other Similar products are found below :

[892-18-020-10-001101](#) [58102-G61-06LF](#) [582553-1](#) [0009485154](#) [009176003701906](#) [0050291907](#) [LY20-4P-DT1-P1E-BR](#) [02.125.8002.8](#)
[609-3404](#) [61062-3](#) [61082-181009](#) [622-3653LF](#) [63453-116](#) [636-1030](#) [636-1427](#) [636-3427](#) [636-4007](#) [641938-9](#) [641991-4](#) [644827-2](#) [65817-](#)
[010LF](#) [65817-015LF](#) [65863-015LF](#) [66207-023LF](#) [67095-007LF](#) [67601157](#) [68645-018](#) [68648-049](#) [70.362.1628.0](#) [70-4210](#) [70-4226B](#) [70-](#)
[4853B](#) [707-5020](#) [707-5028](#) [71.350.2428.0](#) [71918-208LF](#) [71961-016LF](#) [733-134](#) [733-162](#) [754199-000](#) [760-3052](#) [787-8014-00](#) [79531-3000](#)
[FCN-360C032-B](#) [FCN-367T-T012/H](#) [FCN-723D010/2](#) [80.063.4001.1](#) [800-90-001-10-001000](#) [800-90-010-10-002000](#) [801-43-002-10-013000](#)