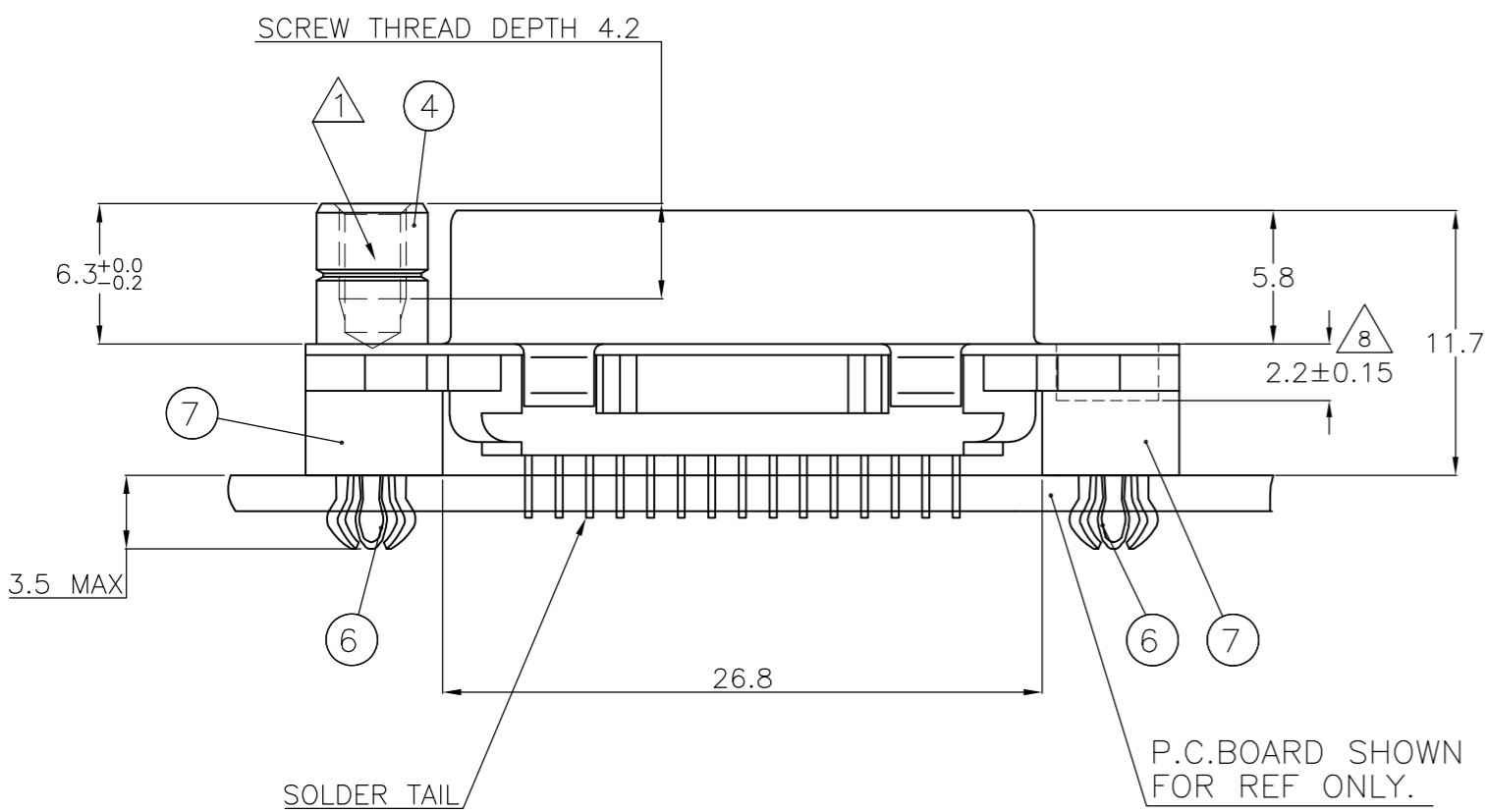
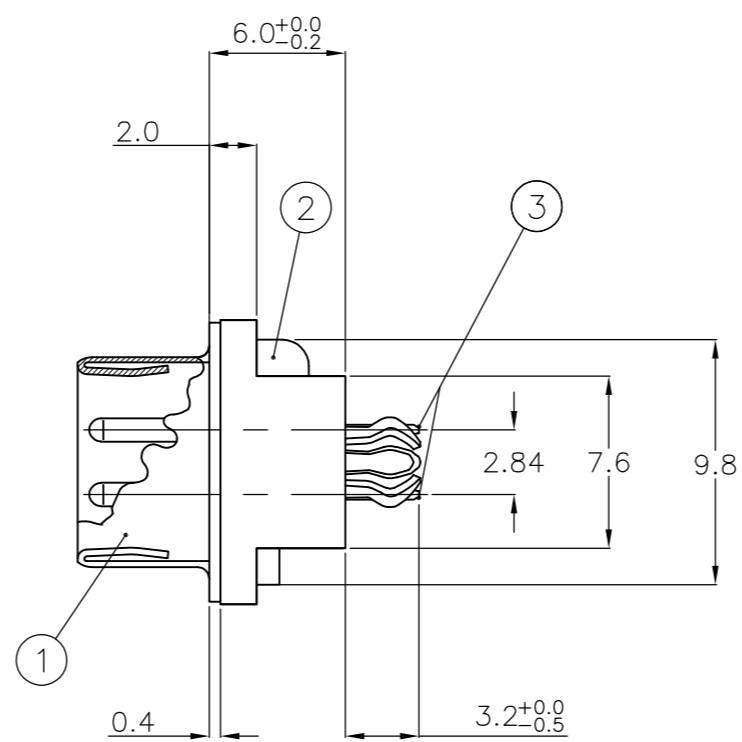
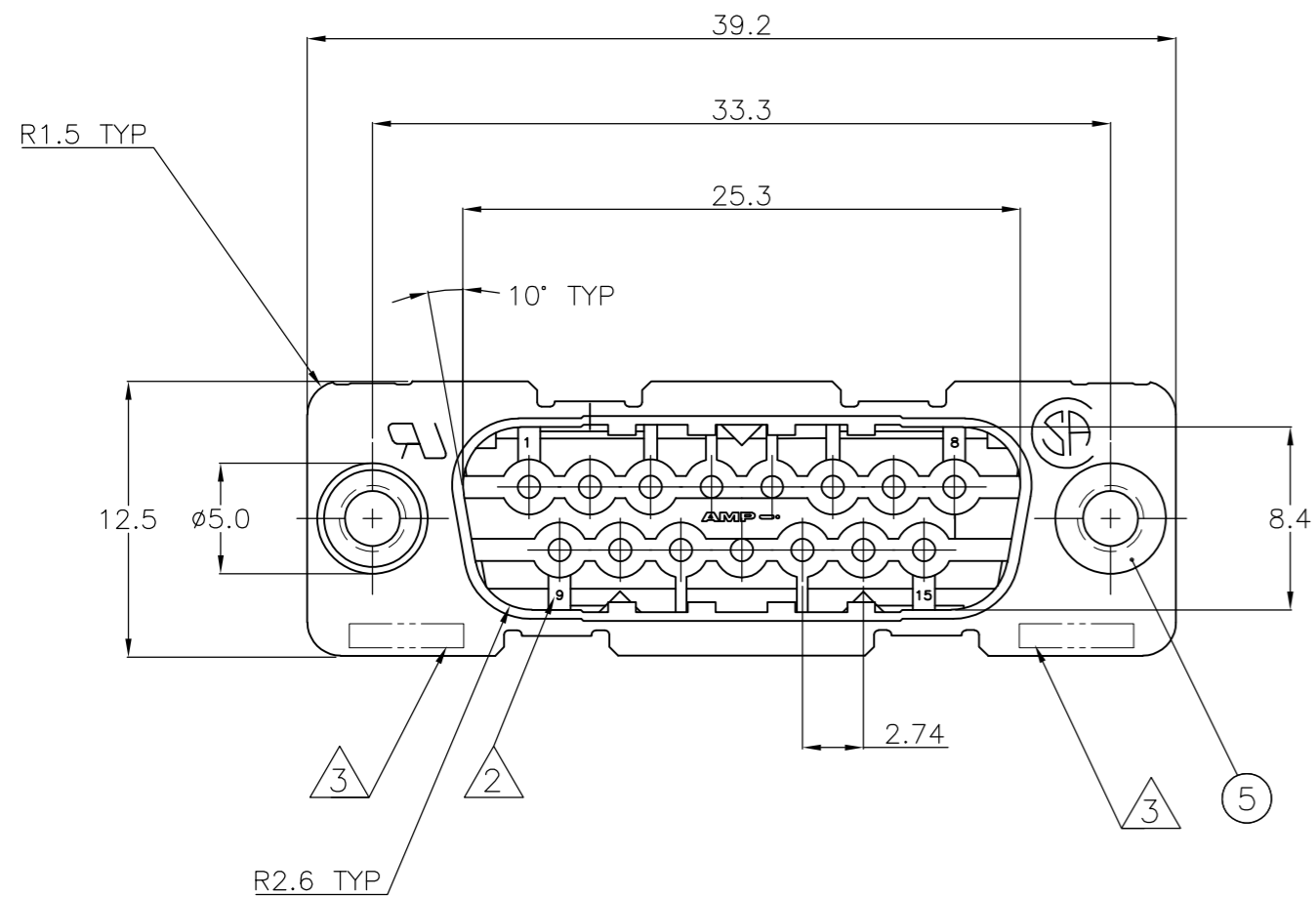


THIS DRAWING IS UNPUBLISHED. RELEASED FOR PUBLICATION
 © COPYRIGHT - By - ALL RIGHTS RESERVED.

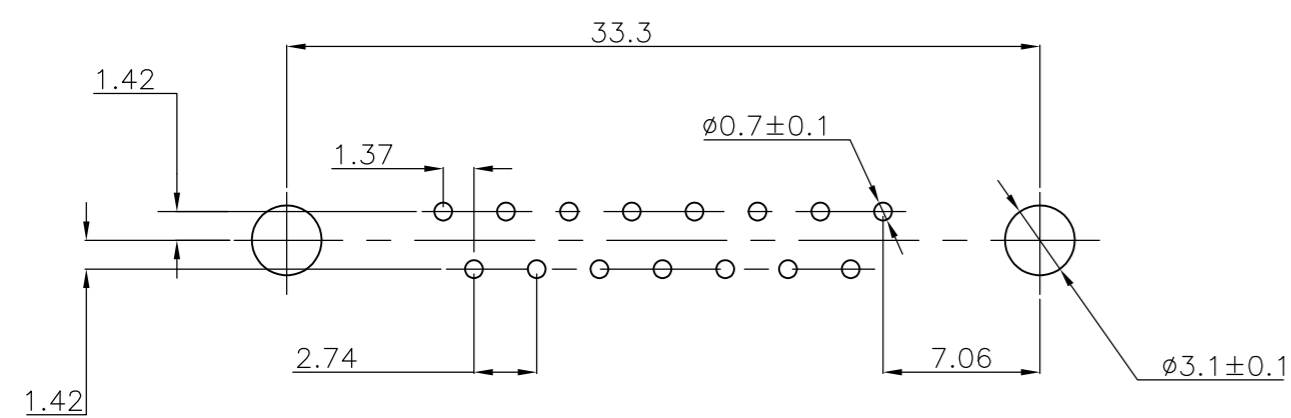
REVISIONS					
P	LTR	DESCRIPTION	DATE	DWN	APVD
H		REVISED PER ECO-17-010826	10AUG2017	AP	DG



ITEM NO	DESCRIPTION OF ACCESSORY	1	2	3	4	5	6	7	8	9
5	BUSHING WITH THROUGH HOLE ø3.1									
5	BUSHING WITH THREAD 4-40 UNC		2							
5	BUSHING WITH THREAD M3			2						
4	FEMALE SCREWLOCK WITH THREAD 4-40 UNC				2					
4	FEMALE SCREWLOCK WITH THREAD M3					2				
6	BOARDLOCK		2	2	2	2				

- 1 GROOVE INDICATES VERSION WITH 4-40 UNC INNER THREAD; WITHOUT GROOVE INDICATES VERSION WITH M3 INNER THREAD.
- 2 CAVITY IDENTIFICATION AT FRONT SIDE ONLY.
- 3 PART NUMBER AND DATE CODE.
- 4. WHEN BOARDLOCKS ARE USED, CONNECTOR CAN BE USED FOR PCB THICKNESS OF 1.6 ONLY.
- 5. SHELL HAS 2x4 GROUNDING SPRINGS; PITCH IS 3.6.
- 6. AIR AND CREEPAGE DISTANCES ACCORDING TO DIN 41652.
- 7. CONTACT FINISH: GOLD FLASH OVER PALLADIUM-NICKEL PLATE OR GOLD PLATE ON THE MATING SURFACES, TIN PLATE ON THE SOLDER-TAILS, NICKEL UNDERPLATE ON THE ENTIRE CONTACT. MATING SURFACE FINISH MEETS LEVEL 2 PER DIM 41652.
- 8 4-40/M3 THREAD DEPTH

RECOMMENDED P.C. BOARD HOLE-LAYOUT



ITEM NO/MATERIAL:

- 1 SHELL : BRIGHT TIN PLATED STEEL
- 2 HOUSING : GLASS FILLED POLYESTER, COLOR : BLACK
- 3 CONTACTS : PHOSPHOR BRONZE (PLATING : SEE NOTES)
- 4 FEMALE SCREWLOCK : TIN PLATED STEEL (INNER THREAD 4-40 UNC OR M3)
- 5 BUSHING : TIN PLATED STEEL (INNER THREAD 4-40 UNC OR M3 OR ø3.1 THROUGH HOLE)
- 6 BOARDLOCK : TIN PLATED PHOSPHOR BRONZE
- 7 STAND-OFF : GLASS FILLED NYLON COLOR : BLACK

THIS DRAWING IS A CONTROLLED DOCUMENT. DIMENSIONING AND TOLERANCING PER ASME Y14.5M-2009		DWN J.V. LIEMPT 03JUL97		
TOLERANCES UNLESS OTHERWISE SPECIFIED:		CHK C. SOUISA 09SEP97		
DIMENSIONS: mm	0 PLC ± - 1 PLC ± 0.3 2 PLC ± 0.15 3 PLC ± - 4 PLC ± - ANGLES ± -	APVD W. SOOMERS 09SEP97	NAME	
MATERIAL	FINISH	PRODUCT SPEC	HDP-20 SIZE 2 VERTICAL+ PLUG HEADER WITH SOLDER CONTACTS	
		APPLICATION SPEC	SIZE A2	CAGE CODE 00779
		WEIGHT 0	DRAWING NO C=338310	RESTRICTED TO
		CUSTOMER DRAWING	SCALE NTS	SHEET 1 OF 1

X-ON Electronics

Largest Supplier of Electrical and Electronic Components

Click to view similar products for [D-Sub High Density Connectors](#) category:

Click to view products by [TE Connectivity](#) manufacturer:

Other Similar products are found below :

[1484349-1](#) [163A16769X](#) [163A16809X](#) [163A17089X](#) [164A17199X](#) [164A17209X](#) [164A17479X](#) [164A18209X](#) [17BH-044S-AA110](#) [K86X-AD-26S](#) [KF66X-E15P-N](#) [241A17320X](#) [242A25680X](#) [242A25740X](#) [L717HDB44POL2R210](#) [L717HDCH62POL2RM5](#) [L717HDEH15POL2L777HDE15P](#) [L77HDC62S](#) [163A16599X](#) [163A16779X](#) [163A16839X](#) [163A17079X](#) [164A17309X](#) [164A17329X](#) [164A18219X](#) [241A16440X](#) [241A16550X](#) [241A16680X](#) [241A17390X](#) [241A20810X](#) [241A25740X](#) [CT25-44P](#) [K66X-E15S-N30](#) [K86X-BA-44S](#) [K86X-ED-15S-BR15](#) [K86X-ED-15SK](#) [L177HDE15SOL2RM23](#) [L177HRC62S](#) [L177HRC62SVFM](#) [L177HRCG62S](#) [L717HDBH44POL2RM5](#) [L717HDEG15POL2RM5](#) [L77HDA26SVF](#) [L77HDE15SD1CO](#) [L77HDEH15SOL2RM832](#) [443895-3](#) [106698-1](#) [5529599](#) [280-012K2C](#)